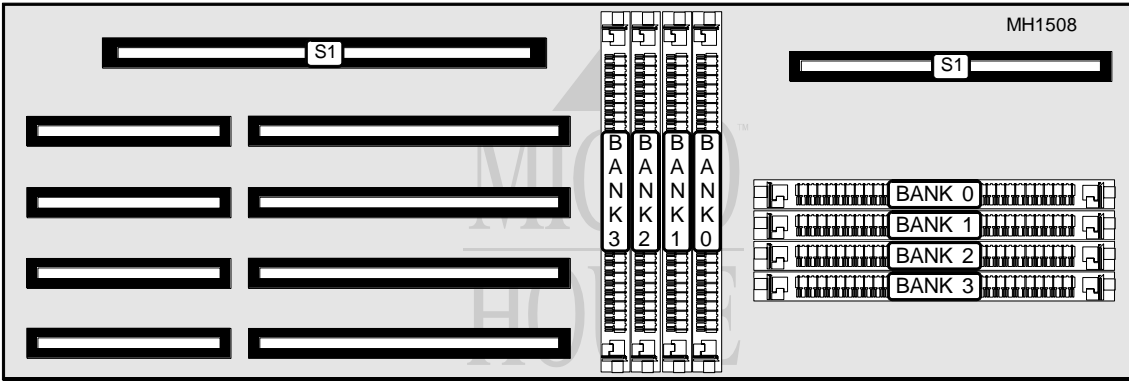


WELLS AMERICAN CORPORATION COMPUSTAR II (VER. 1)

Processor 80386SX
Processor Speed 16MHz
Chip Set C & T
Max. Onboard DRAM 8MB
SRAM Cache 32KB
BIOS Award/Wells American
Dimensions 330mm x 127mm
I/O Options Processor Interface Slot
NPU Options 80387SX



CONNECTIONS

Purpose	Location
Processor Interface Slot	S1

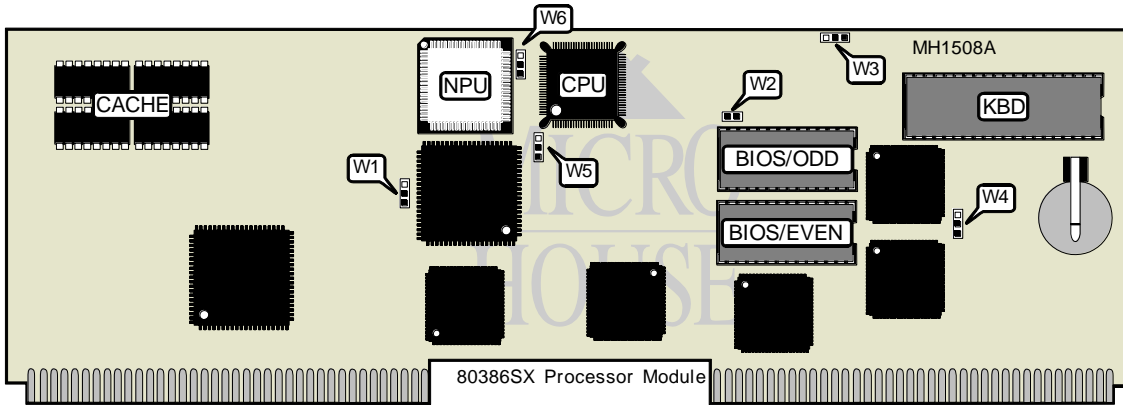
DRAM CONFIGURATION

Size	Bank 0	Bank 1	Bank 2	Bank 3
512KB	(2) 256K x 9	NONE	NONE	NONE
1MB	(2) 256K x 9	(2) 256K x 9	NONE	NONE
1.5MB	(2) 256K x 9	(2) 256K x 9	(2) 256K x 9	NONE
2MB	(2) 256K x 9	(2) 256K x 9	(2) 256K x 9	(2) 256K x 9
2MB	(2) 1M x9	NONE	NONE	NONE
3MB	(2) 1M x 9	(2) 256K x9	(2) 256K x 9	NONE
4MB	(2) 1M x 9	(2) 1M x 9	NONE	NONE
5MB	(2) 1M x9	(2) 1M x9	(2) 256K x 9	(2) 256K x 9
6MB	(2) 1M x 9	(2) 1M x 9	(2) 1M x 9	NONE
8MB	(2) 1M x 9	(2) 1M x 9	(2) 1M x 9	(2) 1M x 9

Continued on next page . . .

WELLS AMERICAN CORPORATION COMPUSTAR II (VER. 1)

... continued from previous page



USER CONFIGURABLE SETTINGS		
Function	Jumper/Switch	Position
í Factory configured do not alter	W1	pins 2 & 3 closed
í NPU disabled	W2	closed
NPU enabled	W2	open
í Monitor type select color	W3	pins 2 & 3 closed
Monitor type select monochrome	W3	pins 1 & 2 closed
í Mouse enabled	W4	pins 1 & 2 closed
Mouse disabled	W4	pins 2 & 3 closed
í Factory configured do not alter	W5	pins 2 & 3 closed
í Factory configured do not alter	W6	pins 2 & 3 closed