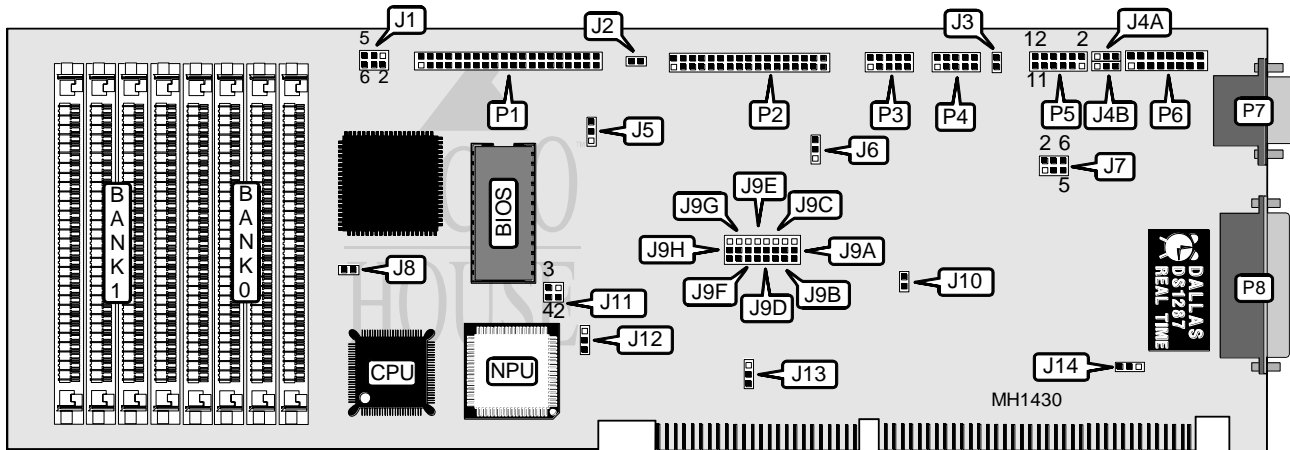


# ACTION INSTRUMENTS

## FF386SX/FF486SLC

<b>Processor</b>	80386SX/80486SLC
<b>Processor Speed</b>	16/20/25/33/40MHz
<b>Chip Set</b>	Headland
<b>Max. Onboard DRAM</b>	16MB
<b>SRAM Cache</b>	None
<b>BIOS</b>	Quadtel
<b>Dimensions</b>	330mm x 100mm
<b>I/O Options</b>	Floppy drive interface IDE interface, parallel port, serial port (2), VGA port
<b>NPU Options</b>	80387SX/CX87SLC



CONNECTIONS			
Purpose	Location	Purpose	Location
IDE interface LED	J2	Serial Port (COM1)	P4
Turbo LED	J3	LCD panel connector	P6
IDE interface	P1	VGA port	P7
Floppy drive interface	P2	Parallel port	P8
Serial Port (COM2)	P3		

Continued on next page . . .

## ACTION INSTRUMENTS

### FF386SX/FF486SLC

... continued from previous page

USER CONFIGURABLE SETTINGS		
Function	Jumper/Switch	Position
í IDE interface enabled	J5	pins 2 & 3 closed
IDE interface disabled	J5	pins 1 & 2 closed
í Parallel port select uni-directional (printer)	J6	pins 2 & 3 closed
Parallel port select bi-directional	J6	pins 1 & 2 closed
í Pipeline mode enabled	J8	Closed
Pipeline mode disabled	J8	Open
í Floppy drive interface select normal	J9A	pins 1 & 2 closed
Floppy drive interface select encoded	J9A	pins 2 & 3 closed
í Floppy drive interface enabled	J9B	pins 1 & 2 closed
Floppy drive interface disabled	J9B	pins 2 & 3 closed
í J9A -J9G jumpers enabled	J9H	pins 1 & 2 closed
J9A -J9G jumpers disabled	J9H	pins 2 & 3 closed
í Monitor type select color	J10	Closed
Monitor type select monochrome	J10	Open
í Watchdog timer enabled	J12	pins 1 & 2 closed
Watchdog timer disabled	J12	pins 2 & 3 closed
í Watchdog timer delay 600 ms delay	J13	Open
Watch dog timer delay 1.2 second delay	J13	pins 1 & 2 closed
Watchdog timer delay 150 ms delay	J13	pins 2 & 3 closed
í IRQ9 select internal CRT controller	J14	Pins 1 & 2 closed
IRQ9 select AT Bus	J14	pins 2 & 3 closed

DRAM CONFIGURATION		
Size	Bank 0	Bank 1
1MB	(4) 256K x 9	NONE
2MB	(4) 256K x 9	(4) 256K x 9
4MB	(4) 1M x 9	NONE
8MB	(4) 1M x 9	(4) 1M x 9
16MB	(4) 4M x 9	NONE

FLASH MEMORY CONFIGURATION		
Address	J11/pins 3 & 4	J11/pins 1 & 2
D8000 - DFFFFh	Open	Open
C8000 - CFFFFh	Closed	Open
D0000 - D7FFFh	Open	Closed
C0000 - C7FFFh	Closed	Closed

Continued On next page . . .

## ACTION INSTRUMENTS

### FF386SX/FF486SLC

. . . continued from previous page

PIN OUT CONFIGURATION P5	
Function	Pin
Power good signal detect from board	1
Keyboard ground	2
+ Keyboard clock	3
+ 5Vdc	4
+ Keyboard data	5
Ground	6
Reset switch	7
Keyboard inhibit switch	8
Speaker	9 & 10
Turbo switch	11 & 12

LCD PANEL TYPE/PLASMA PANEL			
Type	J7/pins 1 & 2	J7/pins 3 & 4	J7/pins 5 & 6
0	Open	Open	Closed
1	Closed	Open	Closed
2	Open	Closed	Closed
3	Closed	Closed	Closed
Plasma	Closed	Closed	Closed

SERIAL PORT CONFIGURATION				
UART 1/P3	UART 2/P4	J9E	J9D	J9C
COM1	COM2	Pins 1 & 2	Pins 1 & 2	Pins 1 & 2
Disable	COM2	pins 2 & 3	Pins 1 & 2	Pins 1 & 2
COM1	Disable	Pins 1 & 2	pins 2 & 3	Pins 1 & 2
Disable	Disable	pins 2 & 3	pins 2 & 3	Pins 1 & 2
COM2	COM1	Pins 1 & 2	Pins 1 & 2	pins 2 & 3
Disable	COM1	pins 2 & 3	Pins 1 & 2	pins 2 & 3
COM2	Disable	Pins 1 & 2	pins 2 & 3	pins 2 & 3
Disable	Disable	pins 2 & 3	pins 2 & 3	pins 2 & 3

Note: Pins designated should be in the closed position.

PARALLEL PORT CONFIGURATION			
LPT	ADDRESS	J9G	J9F
í LPT1	378h	pins 1 & 2 closed	pins 1 & 2 closed
LPT3	3BCh	pins 2 & 3 closed	pins 1 & 2 closed
LPT2	278h	pins 1 & 2 closed	pins 2 & 3 closed
Disabled	N/A	pins 2 & 3 closed	pins 2 & 3 closed

Continued On next page . . .

## ACTION INSTRUMENTS

## FF386SX/FF486SLC

... continued from previous page

VGA MEMORY CLOCK		
Memory Clock	J4A/MS0	J4B/MS1
32.9MHz	pins 1 & 2 closed	Open
35.6MHz	pins 2 & 3 closed	pins 1 & 2 closed
43.9MHz	pins 1 & 2 closed	pins 2 & 3 closed

CPU CLOCK SPEED CONFIGURATION				
CPU Speed	iOSC	J1/pins 1 & 2	J1/pins 3 & 4	J1/pins 5 & 6
16MHz	32MHz	Closed	Open	Open
20MHz	40MHz	Open	Open	Closed
25MHz	50MHz	Closed	Closed	Open
33MHz	66.66 MHz	Open	Closed	Closed
40MHz	80MHz	Open	Open	Open