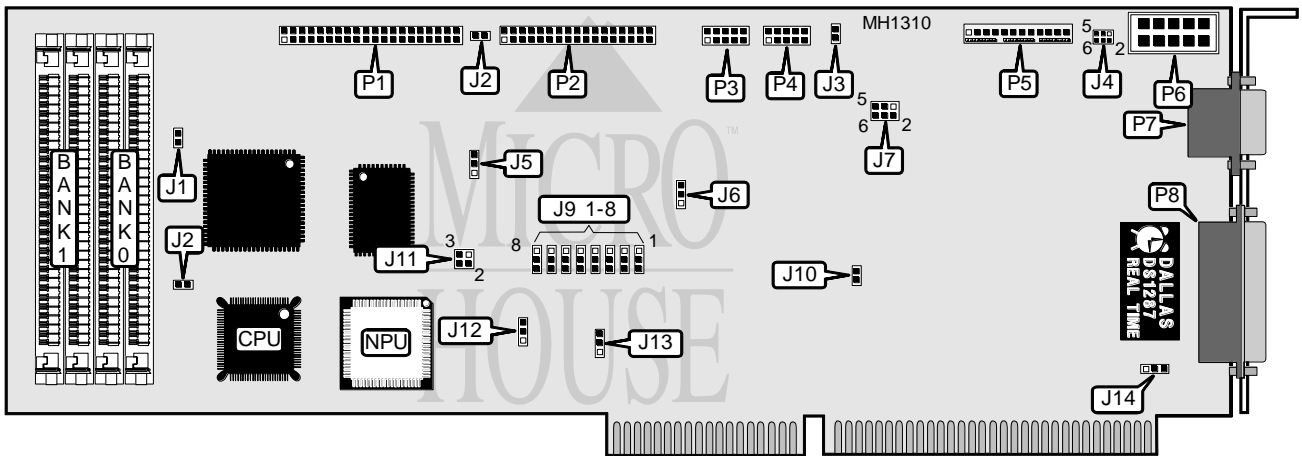


MNC INTERNATIONAL INC.

MNC 1152 COMPLETE 386SX/486SLC

Processor	80386SX/CX486SLC
Processor Speed	4/8/16/20/25/33/40/50MHz
Chip Set	VLSI
Max. Onboard DRAM	16MB
Cache	None
BIOS	Quadtel
Dimensions	330mm x 106.7mm
I/O Options	Floppy drive interface, IDE interface, parallel port, serial port (2), VGA port
NPU Options	80387SX/CX83S87



CONNECTIONS			
Purpose	Location	Purpose	Location
IDE interface LED	J2	Serial port (COM1)	P4
Turbo LED	J3	Keyboard/reset switch/keylock/speaker/turbo switch	P5
IDE interface	P1	LCD screen	P6
Floppy drive interface	P2	VGA port	P7
Serial port (COM2)	P3	Parallel port	P8

Continued on next page . . .

MNC INTERNATIONAL INC.

MNC 1152 COMPLETE 386SX/486SLC

... continued from previous page

USER CONFIGURABLE SETTINGS		
Function	Jumper	Position
í IDE interface enabled	J5	pins 2 & 3 closed
IDE interface disabled	J5	pins 1 & 2 closed
í Paralell port select send data	J6	pins 2 & 3 closed
Paralell port select receive data	J6	pins 1 & 2 closed
í Pipeline mode enabled	J8	closed
Pipeline mode disabled	J8	open
í Factory configured - do not alter (functions controlled by BIOS)	J9	N/A
í Monitor type select color	J10	closed
Monitor type select monochrome	J10	open
Watchdog Timer mode select enabled	J12	pins 1 & 2 closed
Watchdog Timer mode select disabled	J12	pins 2 & 3 closed
Watchdog Timer interval select 150ms	J13	pins 2 & 3 closed
Watchdog Timer interval select 600ms	J13	open
Watchdog Timer interval select 1.2 second	J13	pins 1 & 2 closed
í On board VGA interface enabled	J14	pins 1 & 2 closed
On board VGA interface disabled	J14	pins 2 & 3 closed

CPU SPEED CONFIGURATION	
Speed	J1
4MHz	pins 1 & 2 and 3 & 4 and 5 & 6 closed
8MHz	pins 1 & 2 and 3 & 4 closed
16MHz	pins 1 & 2 and 5 & 6 closed
20MHz	pins 1 & 2 closed
25MHz	pins 3 & 4 and 5 & 6 closed
33MHz	pins 3 & 4 closed
40MHz	pins 5 & 6 closed
50MHz	open

DRAM CONFIGURATION		
Size	Bank 0	Bank 1
1MB	(4) 256K x 9	NONE
2MB	(4) 256K x 9	(4) 256K x 9
4MB	(4) 1M x 9	NONE
5MB	(4) 256K x 9	(4) 1M x 9
8MB	(4) 1M x 9	(4) 1M x 9
16MB	(4) 4M x 9	NONE

Continued on next page . . .

MNC INTERNATIONAL INC.

MNC 1152 COMPLETE 386SX/486SLC

... continued from previous page

VGA MEMORY CLOCK CONFIGURATION	
Speed	J4
32.9MHz	pins 1 & 3 and 2 & 4 closed
35.6MHz	pins 1 & 3 and 4 & 6 closed
43.9MHz	pins 2 & 4 and 3 & 5 closed
49.1MHz	pins 3 & 5 and 4 & 6 closed

LCD DISPLAY TYPE CONFIGURATION	
Type	J7
0	open
1	pins 1 & 2 closed
2	pins 3 & 4 closed
3	pins 1 & 2 and 3 & 4 closed
Plasma	pins 1 & 2 and 3 & 4 and 5 & 6 closed

FLASH MEMORY REGION CONFIGURATION	
Region	J11
D8000 - DFFFF	open
C8000 - CFFFF	pins 3 & 4 closed
D0000 - D7FFF	pins 1 & 2 closed
D0000 - D7FFF	pins 1 & 2 and 3 & 4 closed