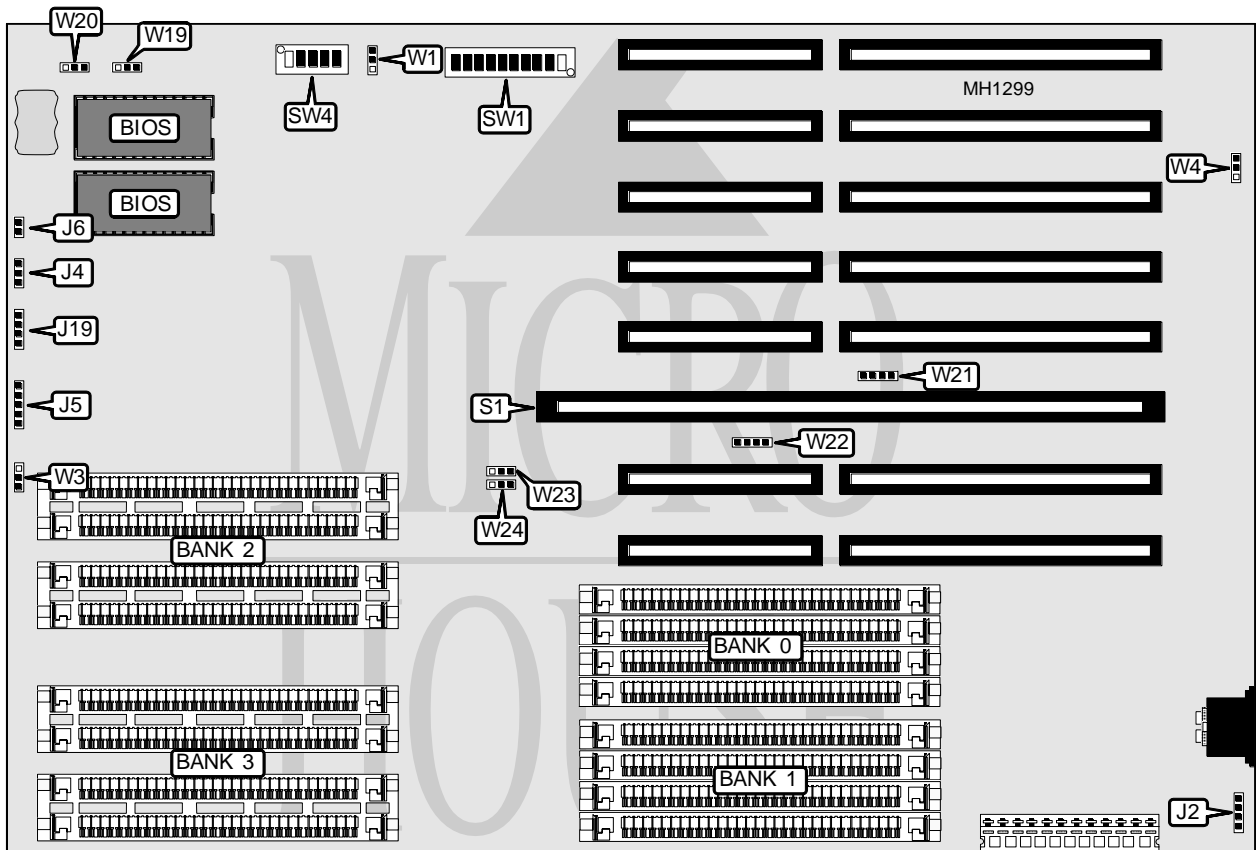


CLUB AMERICAN TECHNOLOGIES, INC. FALCON 400 SERIES REVISION D

Processor	80486SX/80487SX/80486DX/80486DX2
Processor Speed	20/25/33/50(internal)/50/66(internal)MHz
Chip Set	VLSI
Max. Onboard DRAM	64MB
SRAM Cache	64/256KB
BIOS	AMI
Dimensions	330.2mm x 218.4mm
I/O Options	32-bit external CPU/NPU card slot
NPU Options	4167 (on external CPU/NPU card)



CONNECTIONS			
Purpose	Location	Purpose	Location
External battery	J2	Reset switch	J6
Turbo LED	J4	Speaker	J19
Power LED & keylock	J5	CPU/NPU expansion card	S1

Continued on next page . . .

CLUB AMERICAN TECHNOLOGIES, INC.

FALCON 400 SERIES REVISION D

... continued from previous page

USER CONFIGURABLE SETTINGS		
Function	Jumper/Switch	Position
í Factory configured - do not alter	W1	pins 1 & 2 closed
í CPU speed select switchable from keyboard	W3	pins 1 & 2 closed
CPU speed select forced high	W3	open
CPU speed select forced low	W3	pins 2 & 3 closed
í Monitor type select color	W4	pins 2 & 3 closed
Monitor type select monochrome	W4	pins 1 & 2 closed
í BIOS type select 27256	W19	pins 2 & 3 closed
BIOS type select 27512	W19	pins 1 & 2 closed
í Battery select internal	W20	closed
Battery select external	W20	open
í Factory configured - do not alter	W21	pins 1 & 2 closed
í Factory configured - do not alter	W22	pins 1 & 2 closed
í Factory configured - do not alter	W23	pins 1 & 2 closed
í Factory configured - do not alter	W24	pins 1 & 2 closed
í Factory configured - do not alter	SW1/switch 1	closed
í Factory configured - do not alter	SW1/switch 2	open
í Factory configured - do not alter	SW1/switch 3	closed
í Shadow video BIOS enabled	SW1/switch 4	open
	SW1/switch 5	closed
Shadow video BIOS disabled	SW1/switch 4	closed
	SW1/switch 5	open
í Shadow system BIOS enabled	SW1/switch 6	closed
Shadow system BIOS disabled	SW1/switch 6	open
í Factory configured - do not alter	SW4/switch 1	closed
	SW4/switch 2	closed
í System BIOS cacheable	SW4/switch 3	closed
System Bios non cacheable	SW4/switch 3	open
í Factory configured - do not alter	SW4/switch 4	open
í DRAM refresh disabled	SW4/switch 5	open
DRAM refresh enabled	SW4/switch 5	closed

Continued on next page . . .

CLUB AMERICAN TECHNOLOGIES, INC.

FALCON 400 SERIES REVISION D

... continued from previous page

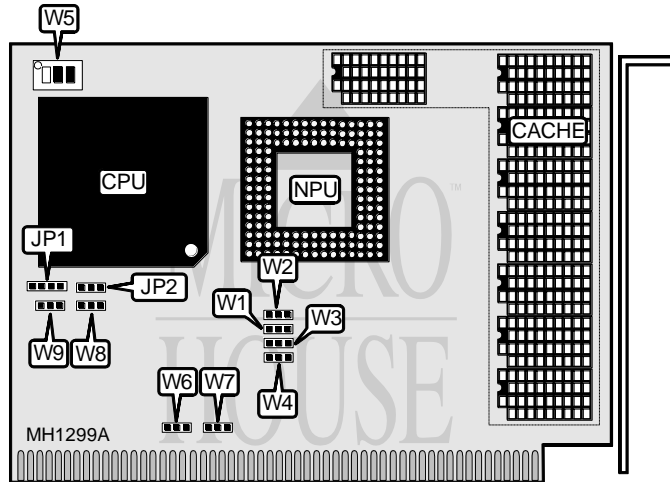
DRAM CONFIGURATION				
Size	Bank 0	Bank 1	Bank 2	Bank 3
1MB	(4) 256K x 9	NONE	NONE	NONE
2MB	(4) 256K x 9	(4) 256K x 9	NONE	NONE
4MB	(4) 1M x 9	NONE	NONE	NONE
6MB	(4) 256K x 9	(4) 256K x 9	(4) 1M x 9	NONE
8MB	(4) 1M x 9	(4) 1M x 9	NONE	NONE
10MB	(4) 256K x 9	(4) 256K x 9	(4) 1M x 9	(4) 1M x 9
12MB	(4) 1M x 9	(4) 1M x 9	(4) 1M x 9	NONE
16MB	(4) 1M x 9	(4) 1M x 9	(4) 1M x 9	(4) 1M x 9
16MB	(4) 4M x 9	NONE	NONE	NONE
24MB	(4) 1M x 9	(4) 1M x 9	(4) 4M x 9	NONE
32MB	(4) 4M x 9	(4) 4M x 9	NONE	NONE
40MB	(4) 4M x 9	(4) 4M x 9	(4) 1M x 9	(4) 1M x 9
48MB	(4) 4M x 9	(4) 4M x 9	(4) 4M x 9	NONE
64MB	(4) 4M x 9	(4) 4M x 9	(4) 4M x 9	(4) 4M x 9

DRAM JUMPER CONFIGURATION				
Size	SW1/switch 7	SW1/switch 8	SW1/switch 9	SW1/switch 10
1MB	closed	closed	closed	closed
2MB	closed	open	closed	closed
4MB	closed	closed	closed	open
6MB	open	closed	closed	closed
8MB	closed	open	closed	open
10MB	open	open	closed	closed
12MB	open	closed	closed	open
16MB	open	open	closed	open
16MB	closed	closed	open	open
24MB	open	closed	open	closed
32MB	closed	open	open	open
40MB	open	open	open	closed
48MB	open	closed	open	open
64MB	open	open	open	open

Continued on next page . . .

CLUB AMERICAN TECHNOLOGIES, INC.
FALCON 400 SERIES REVISION D
FALCON 400 SERIES ADSA MODULE

... continued from previous page



CPU CONFIGURATION		
CPU	JP1	JP2
80486DX2/80486DX	pins 1 & 2 and 3 & 4 closed	pins 1 & 2 closed
ODP486SX/80487SX	pins 1 & 2 and 3 & 4 closed	pins 2 & 3 closed
80486SX	pins 2 & 3 closed	open

SRAM CONFIGURATION				
Size	Jumper W1	Jumper W2	Jumper W8	Jumper W9
64KB	pins 2 & 3 closed	pins 2 & 3 closed	pins 1 & 2 closed	pins 1 & 2 closed
256KB	pins 1 & 2 closed	pins 1 & 2 closed	pins 2 & 3 closed	pins 2 & 3 closed

SRAM CONFIGURATION	
Size	Cache SRAM
64KB	(8) 16K x 4
256KB	(8) 64K x 4

BURST MODE CONFIGURATION			
Burst mode	Jumper W3	Jumper W4	W5/switch 1
Enabled	pins 2 & 3 closed	pins 2 & 3 closed	closed
Disabled	pins 1 & 2 closed	pins 1 & 2 closed	open

Note: W5/switch 2 is factory configured and should be in the closed position.
 W5/switch 3 is factory configured and should be in the open position.