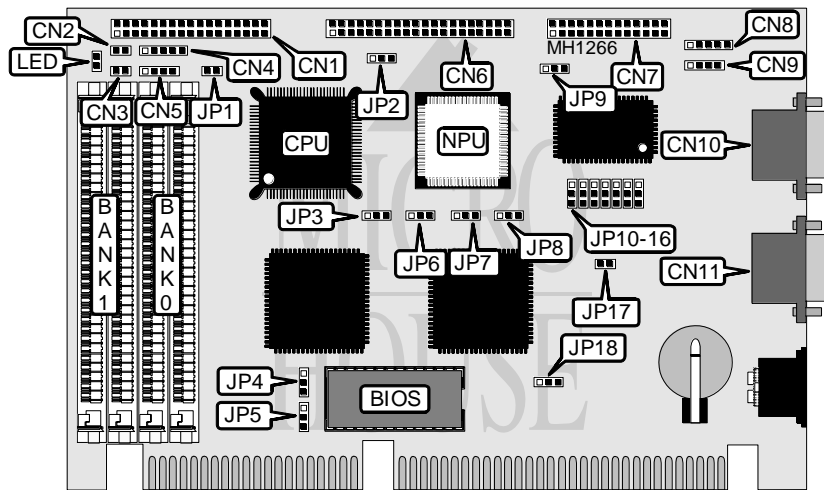


INTERLOGIC INDUSTRIES

SC386SX-25

Processor	80386SX
Processor Speed	25MHz
Chip Set	C & T SCAMP
Max. Onboard DRAM	8MB
SRAM Cache	None
BIOS	Award
Dimensions	195mm x 127mm
I/O Options	Auxilliary keyboard connector, floppy drive interface, IDE interface, parallel port, serial port (2)
NPU Options	80387SX



CONNECTIONS			
Purpose	Location	Purpose	Location
Floppy drive interface	CN1	Parallel port	CN7
Reset switch	CN2	Auxiliary keyboard	CN8
IDE interface LED	CN3	External battery	CN9
Power LED & keylock	CN4	Serial port 1	CN10
Speaker	CN5	Serial port 2	CN11
IDE interface	CN6	Floppy drive interface LED	LED

DRAM CONFIGURATION		
Size	Bank 0	Bank 1
1MB	(2) 256K x 9	(2) 256K x 9
2MB	(2) 1M x 9	NONE
4MB	(2) 1M x 9	(2) 1M x 9
8MB	(2) 4M x 9	NONE
16MB	(2) 4M x 9	(2) 4M x 9

Continued on next page . . .

INTERLOGIC INDUSTRIES

SC386SX-25

... continued from previous page

USER CONFIGURABLE SETTINGS		
Function	Jumper	Position
í Pipeline mode enabled	JP1	open
Pipeline mode disabled	JP1	closed
í Watchdog Timer interval select 500ms	JP2	pins 1 & 2 closed
Watchdog Timer interval select 1 second	JP2	pins 2 & 3 closed
Watchdog Timer disabled	JP2	open
í Factory configured - do not alter	JP3	open
í Parallel port (CN7) interrupt select IRQ7 (LPT2)	JP4	pins 1 & 2 closed
Parallel port (CN7) interrupt select IRQ5 (LPT3)	JP4	pins 2 & 3 closed
í Watchdog Timer mode select system reset after time-out	JP5	pins 1 & 2 closed
Watchdog Timer mode select low IOCHK# NMI after time-out	JP5	pins 2 & 3 closed
í Turbo mode seletable from keyboard	JP6	pins 1 & 2 closed
Turbo mode disabled	JP6	pins 2 & 3 closed
Turbo mode selectable by software	JP6	open
í IDE interface (CN6) enabled	JP7	pins 1 & 2 closed
IDE interface (CN6) disabled	JP7	pins2 & 3 closed
í Floppy drive interface (CN1) enabled	JP8	pins 1 & 2 closed
Floppy drive interface (CN1) disabled	JP8	pins 2 & 3 closed
í Parallel port (CN7) select LPT2 (I/O address 378-37Fh)	JP9	pins 1 & 2 closed
Parallel port (CN7) select LPT3 (I/O address 278-27Fh)	JP9	pins 2 & 3 closed
í Parallel port (CN7) enabled	JP15	pins 1 & 2 closed
Parallel port (CN7) disabled	JP15	pins 2 & 3 closed
í Monitor type select color	JP17	closed
Monitor type select monochrome	JP17	open
í CMOS memory normal operation	JP18	pins 2 & 3 closed
CMOS memory clear	JP18	pins 1 & 2 closed

SERIAL PORT CONFIGURATION		
í Serial port 1 (CN10) enabled	JP13	pins 1 & 2 closed
Serial port 1 (CN10) disabled	JP13	pins 2 & 3 closed
í Serial port 1 (CN10) select COM1 (I/O address 3F8-3FFh)	JP12	pins 1 & 2 closed
Serial port 1 (CN10) select COM3 (I/O address 3E8-3EFh)	JP12	pins 2 & 3 closed
í Serial port 1 (CN10) interrupt select IRQ4	JP10	pins 1 & 2 closed
Serial port 1 (CN10) interrupt select IRQ3	JP10	pins 2 & 3 closed
í Serial port 2 (CN11) enabled	JP16	pins 1 & 2 closed
Serial port 2 (CN11) disabled	JP16	pins 2 & 3 closed
í Serial port 2 (CN11) select COM2 (I/O address 2F8-2FFh)	JP14	pins 1 & 2 closed
Serial port 2 (CN11) select COM4 (I/O address 2E8-2EFh)	JP14	pins 2 & 3 closed
í Serial port 2 (CN11) interrupt select IRQ3	JP11	pins 1 & 2 closed
Serial port 2 (CN11) interrupt select IRQ4	JP11	pins 2 & 3 closed