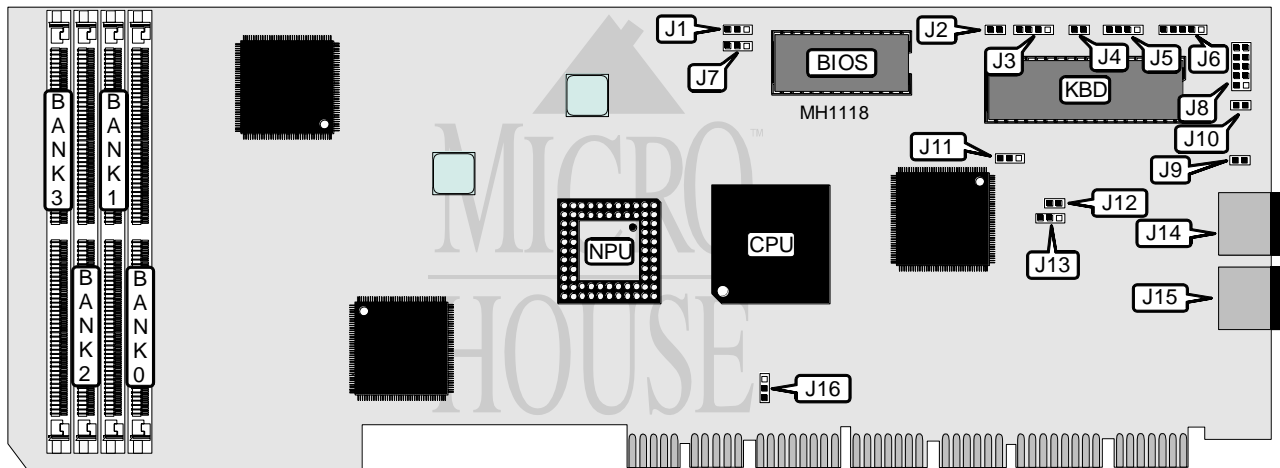


MONOLITHIC SYSTEMS, INC. (COLORADO MSI)

SBC386IE PISA SINGLE BOARD

Processor	80386DX
Processor Speed	25/33/40MHz
Chip Set	C & T PEAK DM
Max. Onboard DRAM	128MB
Cache	128KB
BIOS	AMI
Dimensions	339mm x 127mm
I/O Options	PS/2 mouse port, PS/2 keyboard connector
NPU Options	80387



CONNECTIONS			
Purpose	Location	Purpose	Location
External battery	J3	Power LED	J9
Speaker	J5	Reset switch	J10
Power LED & keylock	J6	PS/2 keyboard	J14
Front panel switches & LEDs	J8	PS/2 mouse	J15

Continued on next page . . .

MONOLITHIC SYSTEMS, INC. (COLORADO MSI)

SBC386IE PISA SINGLE BOARD

... continued from previous page

USER CONFIGURABLE SETTINGS		
Function	Jumper	Position
í Factory configured - do not alter	J1	pins 1 & 2 closed
í Factory configured - do not alter	J2	Closed
í Factory configured - do not alter	J7	pins 1 & 2 closed
í CMOS memory normal operation	J4	Open
CMOS memory clear	J4	Closed
í Monitor type select color	J11	pins 2 & 3 closed
Monitor type select monochrome	J11	pins 1 & 2 closed
í PS/2 mouse disabled (IRQ12 free)	J12	Open
PS/2 mouse enabled at IRQ12	J12	Closed
í Watchdog timer disabled	J13	pins 2 & 3 closed
Watchdog timer enabled	J13	pins 1 & 2 closed
í DMA signal select active high	J16	pins 1 & 2 closed
DMA signal select active low	J16	pins 2 & 3 closed

DRAM CONFIGURATION				
Size	Bank 0	Bank 1	Bank 2	Bank 3
1MB	(1) 256K x 36	NONE	NONE	NONE
2MB	(1) 512K x 36	NONE	NONE	NONE
3MB	(1) 512K x 36	(1) 256K x 36	NONE	NONE
4MB	(1) 512K x 36	(1) 512K x 36	NONE	NONE
4MB	(1) 256K x 36	(1) 256K x 36	(1) 256K x 36	(1) 256K x 36
5MB	(1) 512K x 36	(1) 512K x 36	(1) 256K x 36	NONE
6MB	(1) 512K x 36	(1) 512K x 36	(1) 512K x 36	NONE
7MB	(1) 512K x 36	(1) 512K x 36	(1) 512K x 36	(1) 256K x 36
8MB	(1) 1M x 36	(1) 1M x 36	NONE	NONE
8MB	(1) 2M x 36	NONE	NONE	NONE
9MB	(1) 2M x 36	(1) 256K x 36	NONE	NONE
10MB	(1) 2M x 36	(1) 512K x 36	NONE	NONE
12MB	(1) 2M x 36	(1) 512K x 36	(1) 512K x 36	NONE
13MB	(1) 2M x 36	(1) 512K x 36	(1) 512K x 36	(1) 256K x 36
16MB	(1) 2M x 36	(1) 2M x 36	NONE	NONE
16MB	(1) 4M x 36	NONE	NONE	NONE
17MB	(1) 4M x 36	(1) 256K x 36	NONE	NONE
18MB	(1) 2M x 36	(1) 2M x 36	(1) 512K x 36	NONE
19MB	(1) 4M x 36	(1) 512K x 36	(1) 256K x 36	NONE
20MB	(1) 2M x 36	(1) 2M x 36	(1) 1M x 36	NONE
32MB	(1) 8M x 36	NONE	NONE	NONE
40MB	(1) 8M x 36	(1) 2M x 36	NONE	NONE
64MB	(1) 8M x 36	(1) 8M x 36	NONE	NONE
96MB	(1) 8M x 36	(1) 8M x 36	(1) 4M x 36	(1) 4M x 36
128MB	(1) 8M x 36	(1) 8M x 36	(1) 8M x 36	(1) 8M x 36

Note: These are only some of the possible configurations. Memory must be installed in lower banks first, according to module capacity (highest to lowest).