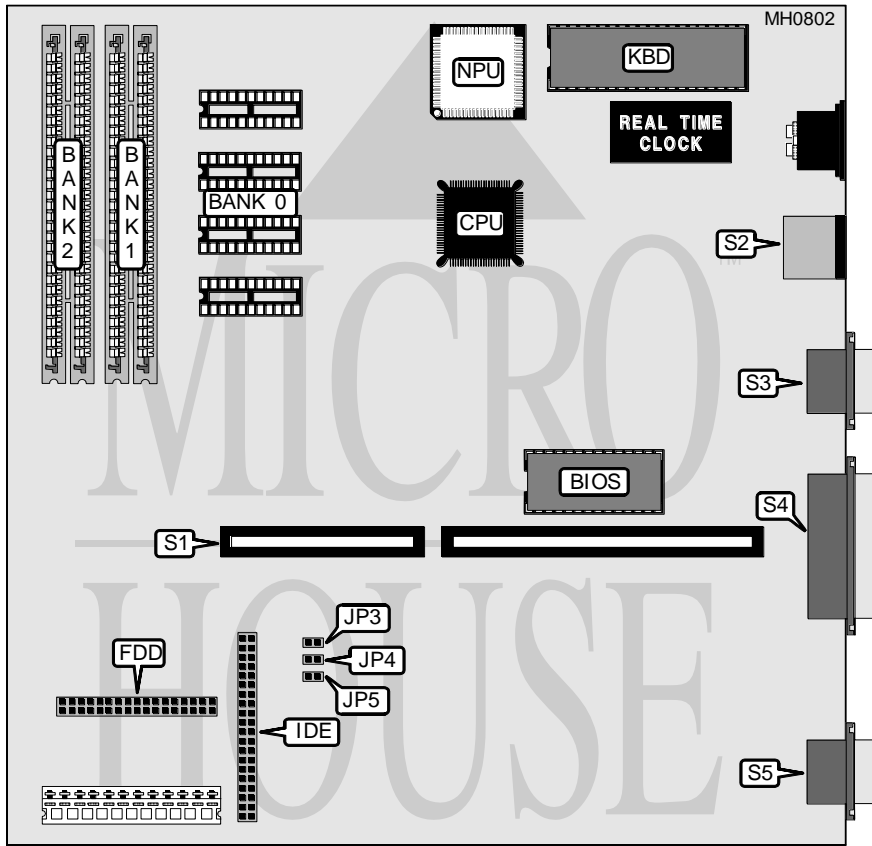


SAMSUNG ELECTRONICS AMERICA, INC.

DESKMASTER 386S/25

Processor	80386SX
Processor Speed	25MHz
Chip Set	OPTI
Max. Onboard DRAM	11MB
Cache	None
BIOS	Phoenix
Dimensions	220mm x 220mm
I/O Options	Floppy drive interface, IDE interface, parallel port, PS/2 bus mouse, serial port, VGA port
NPU Options	80387SX



CONNECTIONS			
Purpose	Location	Purpose	Location
IDE interface	IDE	Serial port	S3
Floppy drive interface	FDD	Parallel port	S4
Riser card	S1	VGA port	S5
Mouse port	S2		

Continued on next page . . .

SAMSUNG ELECTRONICS AMERICA, INC.
DESKMASTER 386S/25*... continued from previous page*

DRAM CONFIGURATION			
Size	Bank 0	Bank 1	Bank 2
1MB	(4) 48256	NONE	NONE
3MB	(4) 48256	(2) 1M x 9	NONE
5MB	(4) 48256	(2) 1M x 9	(2) 1M x 9
9MB	(4) 48256	(2) 4M x 9	NONE
11MB	(4) 48256	(2) 1M x 9	(2) 4M x 9

ON BOARD VIDEO CONFIGURATION			
Setting	JP3	JP4	JP5
Enabled	Closed	Closed	Open
Disabled	Open	Open	Closed