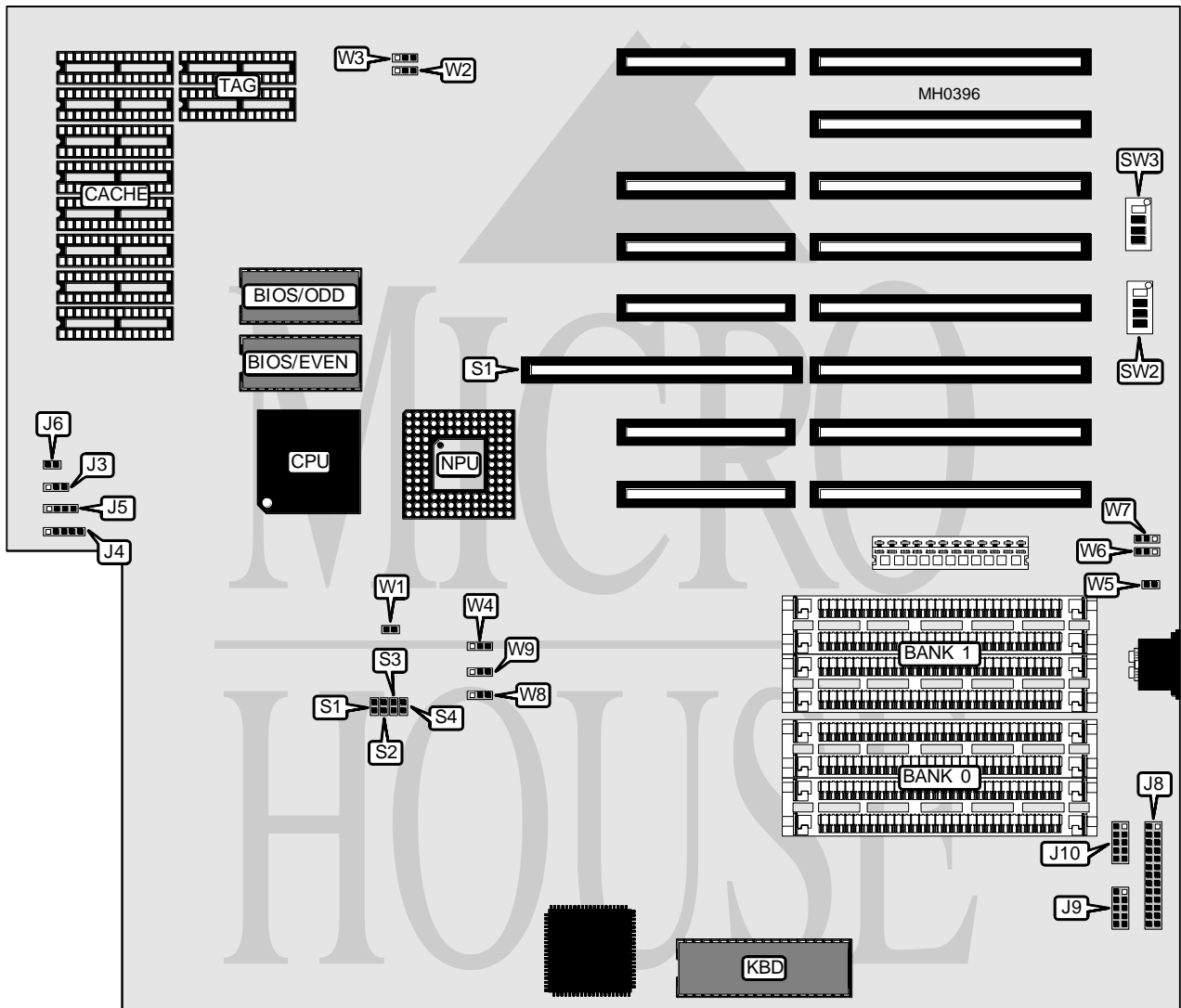


HYUNDAI ELECTRONICS, INC.

SUPER-386T/TELE-386TE

Processor	80386DX
Processor Speed	33MHz
Chip Set	VLSI
Max. Onboard DRAM	8MB
Cache	64/256KB
BIOS	AMI
Dimensions	355mm x 304mm
I/O Options	Serial ports (2), parallel port, 32-bit external memory card slot
NPU Options	80387/3167



Continued on next page . . .

HYUNDAI ELECTRONICS, INC.

SUPER-386T/TELE-386TE

... continued from previous page

CONNECTIONS			
Purpose	Location	Purpose	Location
Turbo LED	J3	Parallel port	J8
Power LED & keylock	J4	Serial port 1	J9
Speaker	J5	Serial port 2	J10
Reset switch	J6	32-bit external memory card slot	S1

USER CONFIGURABLE SETTINGS		
Function	Jumper	Position
í DMA clock select fast	W1	Closed
DMA clock select slow	W1	Open
í Factory configured - do not alter	W4	N/A
í Factory configured - do not alter	W5	N/A
í CPU speed select switchable from keyboard	W6	pins 2 & 3 closed
CPU speed select fast	W6	Open
CPU speed select slow	W6	pins 1 & 2 closed
í Monitor type select color	W7	pins 2 & 3 closed
Monitor type select monochrome	W7	pins 1 & 2 closed

DRAM CONFIGURATION				
Size	Bank 0	Bank 1	Bank 2	Bank 3
1MB	(4) 256K x 9	NONE	NONE	NONE
2MB	(4) 256K x 9	(4) 256K x 9	NONE	NONE
4MB	(4) 1M x 9	NONE	NONE	NONE
5MB	(4) 256K x 9	(4) 1M x 9	NONE	NONE
6MB	(4) 256K x 9	(4) 256K x 9	(4) 1M x 9	NONE
8MB	(4) 1M x 9	(4) 1M x 9	NONE	NONE
10MB	(4) 256K x 9	(4) 256K x 9	(4) 1M x 9	(4) 1M x 9
12MB	(4) 1M x 9	(4) 1M x 9	(4) 1M x 9	NONE
16MB	(4) 1M x 9	(4) 1M x 9	(4) 1M x 9	(4) 1M x 9

Note: Banks 2 & 3 are used when a 32-bit external memory card is installed at S1.

DRAM JUMPER/SWITCH CONFIGURATION						
Size	SW1/1	SW1/2	SW1/3	SW1/4	W8	W9
1MB	Off	Off	Off	On	2 & 3	2 & 3
2MB	Off	Off	Off	Off	2 & 3	2 & 3
4MB	Off	Off	Off	On	1 & 2	1 & 2
5MB	Off	Off	Off	Off	2 & 3	1 & 2
6MB	On	Off	Off	Off	2 & 3	2 & 3
8MB	Off	Off	Off	Off	1 & 2	1 & 2
10MB	Off	Off	Off	Off	2 & 3	2 & 3
12MB	On	Off	Off	Off	1 & 2	1 & 2
16MB	Off	Off	Off	Off	1 & 2	1 & 2

Note: Pins designated should be in the closed position.

Continued on next page ...

HYUNDAI ELECTRONICS, INC.
SUPER-386T/TELE-386TE

... continued from previous page

CACHE CONFIGURATION		
Size	Bank 0	TAG
64KB	(8) 16K x 4	(2) 16K x 4
256KB	(8) 64K x 4	(2) 64K x 4

CACHE JUMPER CONFIGURATION		
Size	W2	W3
64KB	pins 2 & 3 closed	pins 2 & 3 closed
256KB	pins 1 & 2 closed	pins 1 & 2 closed

PARALLEL PORT CONFIGURATION					
J8	Address	SW2/3	SW2/4	SW3/3	SW3/4
LPT1	IRQ5	Off	Off	On	Off
LPT1	IRQ7	Off	Off	Off	On
LPT1	Other	Off	Off	Off	Off
LPT2	IRQ5	Off	On	On	Off
LPT2	IRQ7	Off	On	Off	On
LPT2	Other	Off	On	Off	Off
Disabled	Disabled	On	N/A	Off	Off

SERIAL PORT 1 CONFIGURATION			
J9	Address	SW2/1	SW3/1
COM1	IRQ4	Off	On
COM1	Other	Off	Off
Disabled	Disabled	On	Off

SERIAL PORT 2 CONFIGURATION			
J10	Address	SW2/2	SW3/2
COM2	IRQ3	Off	On
COM2	Other	Off	Off
Disabled	Disabled	On	Off