

PC Service Handbook Volume 2

**286, 386 and 486 Vectra PCs
Introduced before August 1995**

**9th Edition
December 1995**

**HP Part No. 5963-8335
© 1995 Hewlett-Packard Company**

Table of Contents

| | |
|--|-----------|
| NOTICE | 7 |
| PREFACE FOR VOLUME 2 | 9 |
| WHAT'S IN VOLUME 1?..... | 10 |
| INFORMATION ON VECTRA 500 SERIES | 10 |
| WHAT'S NEW IN THIS EDITION?..... | 10 |
| INTRODUCTION | 11 |
| HP ELECTRONIC SERVICES | 11 |
| TOOLS REQUIRED FOR SERVICING HP VECTRA PCS | 12 |
| OVERVIEW OF VECTRA PCS IN THIS VOLUME..... | 13 |
| SUMMARY OF HP VECTRA MODEL NUMBERS IN THIS VOLUME | 19 |
| 1 HP VECTRA 286/12 PC | 29 |
| MODELS AND ACCESSORIES..... | 29 |
| SUPPORTED ACCESSORIES | 29 |
| SYSTEM BOARD, BIOS, AND MEMORY..... | 31 |
| SETUP AND BIOS HISTORY..... | 32 |
| MAIN MEMORY EXTENSION BOARD (D2401A) | 32 |
| HP VECTRA 286/12 PC 800×600 EXTENDED SUPER VGA MODE USERS | 33 |
| PART NUMBERS..... | 34 |
| 2 HP VECTRA QS PC SERIES | 37 |
| MODELS AND ACCESSORIES..... | 37 |
| SUPPORTED ACCESSORIES | 40 |
| SYSTEM BOARD, BIOS, AND MEMORY..... | 42 |
| SETUP AND BIOS HISTORY..... | 43 |
| MAIN MEMORY | 44 |
| PART NUMBERS..... | 46 |
| 3 HP VECTRA 386/25 PC | 50 |
| MODELS AND ACCESSORIES..... | 50 |
| SUPPORTED ACCESSORIES | 50 |
| SYSTEM BOARD, BIOS, AND MEMORY..... | 52 |
| SETUP AND BIOS HISTORY..... | 53 |
| MAIN MEMORY | 54 |
| PART NUMBERS..... | 55 |

| | |
|---|-----------|
| 4 HP VECTRA 386N (D24XXX) PC SERIES..... | 58 |
| MODELS AND ACCESSORIES..... | 58 |
| SUPPORTED ACCESSORIES | 59 |
| SYSTEM BOARD, BIOS, AND MEMORY..... | 61 |
| SETUP AND BIOS HISTORY..... | 62 |
| MAIN MEMORY | 63 |
| PART NUMBERS..... | 64 |
| 5 HP VECTRA 386/33N & NI (D27XXA) PC SERIES..... | 67 |
| MODELS AND ACCESSORIES..... | 67 |
| SUPPORTED ACCESSORIES | 67 |
| SYSTEM BOARD, BIOS, AND MEMORY..... | 69 |
| SETUP AND BIOS HISTORY..... | 70 |
| VIDEO MEMORY | 70 |
| MAIN MEMORY | 70 |
| PART NUMBERS..... | 71 |
| 6 HP VECTRA 386S PC SERIES | 74 |
| MODELS AND ACCESSORIES..... | 74 |
| SUPPORTED ACCESSORIES | 74 |
| SYSTEM BOARD, BIOS, AND MEMORY..... | 76 |
| SETUP AND BIOS HISTORY..... | 77 |
| VIDEO MEMORY | 77 |
| MAIN MEMORY | 77 |
| PART NUMBERS..... | 79 |
| 7 HP VECTRA RS PC SERIES | 82 |
| MODELS AND ACCESSORIES..... | 82 |
| SUPPORTED ACCESSORIES | 83 |
| SYSTEM BOARD, BIOS, AND MEMORY..... | 85 |
| SETUP AND BIOS HISTORY..... | 86 |
| MAIN MEMORY | 86 |
| PART NUMBERS..... | 87 |
| 8 HP VECTRA 486 & 486T PC SERIES..... | 91 |
| MODELS AND ACCESSORIES..... | 91 |
| SUPPORTED ACCESSORIES | 92 |
| SYSTEM BOARD, BIOS, AND MEMORY..... | 94 |
| PASSWORD BYPASS SWITCH | 95 |
| HP VECTRA 486/33T PROCESSOR BOARD CLEAR CMOS JUMPER | 95 |
| SETUP AND BIOS HISTORY..... | 96 |
| MAIN MEMORY | 97 |
| PART NUMBERS..... | 99 |

| | |
|---|------------|
| 9 HP VECTRA 486ST PC SERIES..... | 103 |
| MODELS AND ACCESSORIES..... | 103 |
| SUPPORTED ACCESSORIES | 104 |
| SYSTEM BOARD, BIOS, AND MEMORY..... | 105 |
| SETUP AND BIOS HISTORY..... | 106 |
| VIDEO MEMORY | 107 |
| MAIN MEMORY | 107 |
| PART NUMBERS..... | 108 |
| 10 HP VECTRA 486S/20 PC | 111 |
| MODELS AND ACCESSORIES..... | 111 |
| SUPPORTED ACCESSORIES | 111 |
| SYSTEM BOARD, BIOS, AND MEMORY..... | 113 |
| SETUP AND BIOS HISTORY..... | 114 |
| MAIN MEMORY | 114 |
| PART NUMBERS..... | 115 |
| 11 HP VECTRA 486U PC SERIES..... | 118 |
| MODELS AND ACCESSORIES..... | 118 |
| SUPPORTED ACCESSORIES | 119 |
| SYSTEM BOARD, BIOS, AND MEMORY..... | 120 |
| SETUP AND BIOS HISTORY..... | 122 |
| VIDEO MEMORY | 122 |
| MAIN MEMORY | 123 |
| PART NUMBERS..... | 124 |
| 12 HP VECTRA 486N (D26XXA) PC SERIES..... | 127 |
| MODELS AND ACCESSORIES..... | 127 |
| SUPPORTED ACCESSORIES | 128 |
| SYSTEM BOARD, BIOS, AND MEMORY..... | 129 |
| SETUP AND BIOS HISTORY..... | 131 |
| VIDEO MEMORY | 131 |
| MAIN MEMORY | 131 |
| PART NUMBERS..... | 132 |
| 13 HP VECTRA 486N & NI (D27XXA) PC SERIES..... | 135 |
| MODELS AND ACCESSORIES..... | 135 |
| SUPPORTED ACCESSORIES | 136 |
| SYSTEM BOARD, BIOS, AND MEMORY..... | 138 |
| SETUP AND BIOS HISTORY..... | 139 |
| VIDEO MEMORY | 139 |
| MAIN MEMORY | 139 |
| PART NUMBERS..... | 140 |

| | |
|--|------------|
| 14 HP VECTRA N2 PC SERIES..... | 144 |
| MODELS AND ACCESSORIES..... | 144 |
| SUPPORTED ACCESSORIES | 145 |
| SYSTEM BOARD, BIOS, AND MEMORY..... | 147 |
| SETUP AND BIOS HISTORY..... | 148 |
| CACHE MEMORY | 148 |
| VIDEO MEMORY | 148 |
| MAIN MEMORY | 149 |
| PART NUMBERS..... | 149 |
| 15 HP VECTRA 486M & MI PC SERIES..... | 152 |
| MODELS AND ACCESSORIES..... | 152 |
| SUPPORTED ACCESSORIES | 153 |
| SYSTEM BOARD, BIOS, AND MEMORY..... | 155 |
| SETUP AND BIOS HISTORY..... | 156 |
| VIDEO MEMORY | 156 |
| MAIN MEMORY | 156 |
| PART NUMBERS..... | 157 |
| 16 HP VECTRA 486VL PC SERIES..... | 160 |
| MODELS AND ACCESSORIES..... | 160 |
| SUPPORTED ACCESSORIES | 161 |
| SYSTEM BOARD, BIOS, AND MEMORY..... | 162 |
| IRQS AND I/O ADDRESSES FOR THE 486VL | 164 |
| SETUP AND BIOS HISTORY..... | 164 |
| BEEP CODES FOR HP VECTRA 486VL ONLY | 164 |
| ERROR MESSAGES FOR HP VECTRA 486VL ONLY..... | 165 |
| CACHE MEMORY | 165 |
| VIDEO MEMORY | 165 |
| MAIN MEMORY | 165 |
| PART NUMBERS..... | 166 |
| 17 HP VECTRA 486XM PC SERIES..... | 169 |
| MODELS AND ACCESSORIES..... | 169 |
| SUPPORTED ACCESSORIES | 170 |
| SYSTEM BOARD, BIOS, AND MEMORY..... | 172 |
| SETUP AND BIOS HISTORY..... | 173 |
| CACHE MEMORY | 173 |
| VIDEO MEMORY | 173 |
| MAIN MEMORY | 173 |
| PART NUMBERS..... | 174 |
| 18 HP VECTRA M2 PC SERIES | 177 |
| MODELS AND ACCESSORIES..... | 177 |

| | |
|--|------------|
| SUPPORTED ACCESSORIES | 178 |
| SYSTEM BOARD, BIOS, AND MEMORY | 180 |
| IRQS AND I/O ADDRESSES | 181 |
| SETUP AND BIOS HISTORY | 181 |
| CACHE MEMORY | 181 |
| VIDEO MEMORY | 182 |
| MAIN MEMORY | 182 |
| PART NUMBERS..... | 182 |
| 19 HP VECTRA VE 4/XX PC SERIES | 186 |
| MODELS AND ACCESSORIES..... | 186 |
| SUPPORTED ACCESSORIES | 186 |
| SYSTEM BOARD, BIOS, AND MEMORY..... | 188 |
| VIDEO MEMORY UPGRADE..... | 188 |
| IDE CONNECTORS..... | 188 |
| BIOS HISTORY | 189 |
| PART NUMBERS..... | 190 |
| 20 HP VECTRA VL2 & VL2E PC SERIES | 193 |
| MODELS AND ACCESSORIES..... | 193 |
| SUPPORTED ACCESSORIES | 196 |
| SYSTEM BOARD, BIOS, AND MEMORY..... | 198 |
| BIOS HISTORY | 199 |
| PART NUMBERS..... | 200 |
| 21 HP VECTRA XM2 PC SERIES 3 | 204 |
| MODELS AND ACCESSORIES..... | 204 |
| SUPPORTED ACCESSORIES | 205 |
| SYSTEM BOARD, BIOS, AND MEMORY..... | 207 |
| SETUP AND BIOS HISTORY..... | 208 |
| CACHE MEMORY | 208 |
| VIDEO MEMORY | 208 |
| MAIN MEMORY | 209 |
| PART NUMBERS..... | 210 |
| A HP VECTRA POST ROUTINE AND ERROR CODES..... | 213 |
| POST (POWER-ON SELF-TEST) ROUTINE..... | 213 |
| ERROR CODES | 214 |
| B HP VECTRA HARDWARE IRQS AND MEMORY MAP..... | 217 |
| HP VECTRA INTERRUPTS (IRQS) AND I/O ADDRESSES | 217 |
| HP VECTRA MEMORY MAP..... | 218 |

| | |
|---|------------|
| C HP UTILITIES AND DOS QUICK REFERENCE..... | 219 |
| OVERVIEW | 219 |
| MICROSOFT DIAGNOSTIC UTILITY | 219 |
| DIAGNOSTIC UTILITY (HP)..... | 221 |
| PART NUMBERS FOR DIAGNOSTIC TOOLS..... | 222 |
| DOS HELP (MS-DOS 5.0 AND ABOVE)..... | 222 |
| EASY CONFIG — FOR DESKSIDE EISA PCS (HP)..... | 222 |
| FORMAT COMMAND (MS-DOS)..... | 223 |
| MEMORY MANAGERS | 224 |
| MEMMAKER (DOS 6.0 AND ABOVE) | 224 |
| EMM386.EXE (DOS 5.0 AND ABOVE)..... | 224 |
| HIMEM.SYS (DOS 5.0 AND ABOVE) | 224 |
| HPMM.SYS (DOS 4.0 AND EARLIER)..... | 225 |
| HPEMM.SYS (VECTRA 286/12 PC)..... | 225 |
| HPEMM386.SYS (VECTRA RS AND QS PCS)..... | 225 |
| HPMODE UTILITY (VECTRA QS AND RS PCS)..... | 226 |
| HPROMINIT UTILITY (HP) | 226 |
| HPUPDATE UTILITY (HP) | 227 |
| HPUVGA UTILITY (HP)..... | 227 |
| HPVIEW UTILITY (HP) | 227 |
| MEM COMMAND (MS-DOS)..... | 227 |
| MODE COMMAND (MS-DOS)..... | 227 |
| PRINTCFG — FOR DESKTOP EISA PCS (HP)..... | 229 |
| SAM — FOR DESKTOP EISA PCS (HP)..... | 229 |
| SETUP UTILITY (VERSIONS B AND C) | 230 |
| SETUP (VERSION D) | 231 |
| SSTOR.SYS UTILITY (DOS 5.0 AND ABOVE) | 231 |
| UNDELETE COMMAND (DOS 5.0 AND ABOVE)..... | 232 |
| WHATIS UTILITY (VECTRA 386S AND 386N PC SERIES)..... | 232 |
| D HP VECTRA PC SERVICE NOTES..... | 233 |
| OVERVIEW | 233 |
| SERVICE NOTE SUMMARY | 234 |
| SERVICE NOTES | 236 |
| VECTRA 486T TROUBLESHOOTING | 258 |
| NOTE: HP VECTRA 286/12 PC 800X600 EXTENDED SUPER VGA MODE USERS..... | 259 |

NOTICE

Information contained in this document is subject to change without notice.

Hewlett-Packard makes no warranty of any kind with regard to this material, including, but not limited to, the implied warranties of merchantability and fitness for a particular purpose. Hewlett-Packard shall not be liable for errors contained herein or for incidental or consequential damages in connection with the furnishing, performance, or use of this material.

Hewlett-Packard assumes no responsibility for the use or reliability of its software on equipment that is not furnished by Hewlett-Packard.

This document contains proprietary information that is protected by copyright. All rights are reserved. No part of this document may be photocopied, reproduced, or translated into another language without the prior written consent of Hewlett-Packard Company.

Intel 386 SX, Intel 486 DX, Intel 386 SL, Intel 486 SX, Intel 486 DX, Intel 486 DX2, OverDrive and PENTIUM are U.S. trademarks of Intel Corporation. Cyrix387 SL is a product of Cyrix Corp.

MS-DOS® and Microsoft® are U.S. registered trademarks of Microsoft Corp. Windows and Windows for Workgroups are products of Microsoft Corp.

Printing History

| | |
|------------|-----------------------------------|
| Edition: 1 | Printed in France: October 1991 |
| Edition: 2 | Printed in France: January 1992 |
| Edition: 3 | Printed in France: June 1992 |
| Edition: 4 | Printed in France: September 1992 |
| Edition: 5 | Printed in France: April 1993 |
| Edition: 6 | Printed in France: November 1993 |
| Edition: 7 | Printed in France: July 1994 |
| Edition: 8 | Printed in France: May 1995 |

PREFACE FOR VOLUME 2

This document provides quick reference information for the current HP Vectra product line. It is intended to be used by HP-qualified service personnel to help with the installation, servicing, and repair of HP Vectra personal computers.

HP Vectra products covered by this handbook are listed below:

286 Vectra PCs

HP Vectra 286/12 PC

386 Vectra PCs

HP Vectra QS PC Series
HP Vectra 386/25 PC
HP Vectra 386N PC Series
HP Vectra 386/33N & NI PC Series
HP Vectra 386s PC Series
HP Vectra RS PC Series

486 Vectra PCs

HP Vectra 486 & 486T PC Series
HP Vectra 486ST PC Series
HP Vectra 486s/20 PC
HP Vectra 486U PC Series
HP Vectra 486N PC Series
HP Vectra 486N & NI PC Series
HP Vectra 486N2 PC Series
HP Vectra 486M & MI PC Series
HP Vectra 486VL PC Series
HP Vectra 486XM PC Series
HP Vectra M2 PC Series
HP Vectra VE 4/xx PC Series
HP Vectra VL2 & VL2e PC Series
HP Vectra XM2 PC Series

The Vectras listed below are beyond their guaranteed support life. Use the edition of the PC Service Handbook listed to find information about these PCs.

HP Vectra ES and ES/12 PCs
HP Vectra QS/16

8th Edition (5963-6103)
7th Edition (5963-3468)

WHAT'S IN VOLUME 1?

All Pentium and Pentium Pro based Vectra PCs are covered in Volume 1. For the detailed list of Vectras covered in Volume 1, refer to the back cover of Volume 1.

INFORMATION ON VECTRA 500 SERIES

For information on HP Vectra 500 Series PCs and accessories, refer to the Vectra 500 Service Handbook 5063-7985.

WHAT'S NEW IN THIS EDITION?

This edition is split into two separate volumes and has a completely new layout. This volume (Volume 2) contains the 286, 386 and 486 based Vectra PCs. Volume 1 contains the Pentium™ and Pentium™ Pro based Vectra PCs.

For the list of Vectra PCs new in this edition, refer to Volume 1.

Each Vectra is described in its own chapter. The contents of each chapter are organized as follows:

- Models and Accessories
- System Board, BIOS/Setup and Memory
- Part Numbers

There are four appendices that contain information that applies to all Vectras in this volume.

- A HP Vectra POST Routine and Error Codes
- B HP Vectra Hardware IRQs and Memory Map
- C HP Utilities and Operating System Quick Reference
- D HP Vectra PC Service Notes

Service notes which have become inactive have been removed from this edition. For information on HP LAN Servers refer to their service documentation.

A revision bar indicates the changes made to the manual.

INTRODUCTION

This chapter provides information on the HP Bulletin Board System (BBS), the tools required for servicing HP Vectra PCs, and gives an overview of the Vectra PCs described in this volume. (To see which Vectras are described in each volume, refer to the quick reference lists on the back cover of each volume.)

A list of model numbers for the Vectras described in this volume is given in the last section of this chapter.

HP ELECTRONIC SERVICES

HP operates electronic services that can be accessed by HP Support personnel. These services include an electronic bulletin board system (BBS), a World Wide Web site, and an FTP site. The FTP site is accessible via the World Wide Web as well as through the Internet.

HP Electronic Services can be used to obtain patches, drivers, and system utilities. If a BIOS upgrade is available from HP Electronic Services, it is indicated in the handbook by 'Refer to HP Electronic Services' or 'Refer to HP internal BBS'. Contact your HP Support Organization for more information.

Connecting to the HP BBS:

Number: +1 (208) 344-1691
Baud Rate: 300, 1200, 2400, 4800, 9600, 14400

Connecting to the HP World Wide Web:

World Wide Web: www.hp.com/go/vectra

Connecting to the HP FTP site via the Internet:

Alias: ftp-boi.external.hp.com
Name: anonymous
Password: <Enter your email address>

Connecting to the HP FTP site via a World Wide Web browser:

FTP site via WWW: <ftp://ftp.hp.com>

TOOLS REQUIRED FOR SERVICING HP VECTRA PCS

The tools required to service the equipment described in this manual include:

- Electrically Conductive Field Service Kit (P/N 9300-1155)
- CE Peripheral Exerciser Disk Kit (45935-63210)
- Datacomm Test Hood, 9-Pin (24540-60010)
- Datacomm Test Hood, 25-Pin parallel (24540-60011)
- Datacomm Test Hood, 25-Pin serial (02620-60062)
- 1/4-Inch Flat Blade Screwdriver
- ACX-15 Torx Screwdriver
- PLCC IC Extractor (5041-2553)

OVERVIEW OF VECTRA PCS IN THIS VOLUME

286 Vectra PCs

| <u>Vectra Model</u> | <u>Micro-processor</u> | <u>Co-processor</u> | <u>Accessory Slots*</u> | <u>Disk Controller</u> | <u>Video Controller</u> | <u>Max. RAM</u> |
|--|------------------------|---------------------|-----------------------------------|------------------------|-------------------------------|------------------------|
| Classic Desktop Vectras (three shelves for disks) | | | | | | |
| 286/12 PC | | | | | | |
| 286/12 | 286-12 | 287-12 | One 8-bit & four 16-bit ISA slots | ST-506 or IDE board | Integrated Super VGA (256 KB) | 8 MB (on memory board) |

*Accessory slots may be occupied by a disk controller board and a video board.

386 Vectra PCs

| <u>Vectra Model</u> | <u>Micro-processor</u> | <u>Co-processor</u> | <u>Accessory Slots*</u> | <u>Disk Controller</u> | <u>Video Controller</u> | <u>Max. RAM</u> |
|--|------------------------|---------------------|-----------------------------------|----------------------------------|-------------------------------|------------------------|
| Classic Desktop Vectras (three shelves for disks) | | | | | | |
| QS PCs | | | | | | |
| QS/16S | 386SX-16 | 387SX-16 or 387SL | One 8-bit & six 16-bit ISA slots | ST-506, or IDE** or ESDI** board | VGA or Super VGA board | 8 MB |
| QS/20 | 386DX-20 | 387DX-20 | | | | 16 MB*** |
| 386/25 PC | | | | | | |
| 286/12 | 286-12 | 287-12 | One 8-bit & four 16-bit ISA slots | ST-506 or IDE board | Integrated Super VGA (256 KB) | 8 MB (on memory board) |
| Low-Profile Desktop Vectras (two shelves for disks) | | | | | | |
| 386/16N, 386/20N, 386/25N PCs | | | | | | |
| 386/16N | 386SX-16 | 387SX-16 or 387SL | Three 16-bit ISA slots | Integrated IDE | Integrated Super VGA (256 KB) | 16 MB |
| 386/20N | 386SX-20 | 387SX-20 or 387SL | | | | |
| 386/25N | 386SX-25 | 387SX-25 or 387SL | | | | |

*Accessory slots may be occupied by a disk controller board and a video board.

**ST: Seagate Technology; IDE: Integrated Drive Electronics, also known as embedded AT; ESDI: Enhanced Small Device Interface.

*** (8 MB on processor board and 8 MB on memory board).

386 Vectra PCs (continued)

| <u>Vectra Model</u> | <u>Micro-processor</u> | <u>Co-processor</u> | <u>Accessory Slots*</u> | <u>Disk Controller</u> | <u>Video Controller</u> | <u>Max. RAM</u> |
|---|------------------------|-------------------------|-------------------------------|-------------------------------------|---|-----------------|
| Low-Profile Desktop Vectras (two shelves for disks) | | | | | | |
| 386/33N & NI PC Series | | | | | | |
| 386/33N & NI** | 386SX-33 | 387SL Cyrix® | Three 16-bit ISA slots | Integrated IDE | Integrated Ultra VGA+ (512 KB, upgradable to 1 MB) | 16 MB |
| Full-Height Desktop Vectras (four shelves for disks) | | | | | | |
| 386s PC | | | | | | |
| 386s/20 | 386SX-20 | 387SX-20 or 387SL | Five 16-bit ISA slots | Integrated IDE | Integrated Super VGA (256 KB, upgradable to 512 KB) | 16 MB |
| 386s/25 | 386SX-25 | 387SX-25 or 387SL | | | | |
| Deskside Vectras (six shelves for disks) | | | | | | |
| RS PCs | | | | | | |
| RS/16 | 386DX-16 | 387DX or Weitek 3167 | Two 8-bit & six 16-bit ISA | ST-506, or ESDI, or high-perf | VGA board | 16 MB |
| RS/20 | 386DX-20 | | | ESDI, or high-perf | | |
| RS/25 | 386DX-25 | | | ESDI, or IDE | | |
| RS/33 | 386DX-33 | | | board | | |

*Accessory slots may be occupied by a disk controller board and a video board.

**The Vectra 386/33NI system boards have an integrated LAN adapter.

486 Vectra PCs

| <u>Vectra Model</u> | <u>Micro-processor</u> | <u>Co-processor</u> | <u>Accessory Slots*</u> | <u>Disk Controller</u> | <u>Video Controller</u> | <u>Max. RAM</u> |
|---|------------------------|---|-------------------------|------------------------|--|-----------------|
| Desktop Vectras (six shelves for disks) | | | | | | |
| 486/25 PC and 486T PCs | | | | | | |
| 486/25 | 486DX-25 | Integrated in 486DX processor. Plus Weitek4167 on 486/33T | Eight 32-bit EISA slots | Integrated IDE | None | 64 MB |
| 486/25T | 486DX-25 | | | | | |
| 486/33T | 486DX-33 | | | | | |
| 486ST PCs | | | | | | |
| 486/33ST | 486DX-33 | Integrated in 486DX processor | Eight 32-bit EISA slots | Integrated IDE | Integrated Ultra VGA+ (512 KB, upgradable to 1 MB) | 64 MB |
| 486/66ST | 486DX2-66 | | | | | |
| Full-Height Desktop Vectras (four shelves for disks) | | | | | | |
| 486s/20 PC | | | | | | |
| 486s/20 | 486SX-20 | 487SX-20 | Five 32-bit EISA slots | Integrated IDE | Ultra VGA board | 64 MB |
| 486U PC Series | | | | | | |
| 486/25U | 486SX-25 | 487SX-25 | Five 32-bit EISA slots | Integrated IDE | Integrated Ultra VGA+ (512 KB, upgradable to 1 MB) | 64 MB |
| 486/33U | 486DX-33 | Integrated in 486DX processor | | | | |
| 486/50U | | | | | | |
| 486/66U | | | | | | |
| Low-Profile Desktop Vectras (two shelves for disks) | | | | | | |
| 486N (D26xxA) 486N & NI (D27xxA) PC Series** | | | | | | |
| 486/25N & NI | 486SX-25 | 487SX-25 | Three 16-bit ISA slots | Integrated IDE | Integrated Ultra VGA+ (512 KB, upgradable to 1 MB) | 48 MB |
| 486s/33N & NI | 486SX-33 | 487SX-33 | | | | |
| 486/33N & NI | 486DX-33 | Integrated in 486DX processor | | | | |
| 486/50N | 486DX2-50 | | | | | |
| 486/66N | 486DX2-66 | | | | | |

*Accessory slots may be occupied by a disk controller board and a video board.

**The Vectra NI has an integrated LAN adapter.

486 Vectra PCs (Continued)

| <u>Vectra Model</u> | <u>Micro-processor</u> | <u>Co-processor</u> | <u>Accessory Slots*</u> | <u>Disk Controller</u> | <u>Video Controller</u> | <u>Max. RAM</u> |
|--|------------------------|-------------------------------------|------------------------------------|----------------------------------|--|-----------------|
| Low-Profile Desktop Vectras (two shelves for disks) | | | | | | |
| Vectra N2 PC Series | | | | | | |
| 4/25 | 486SX-25 | None | Three full-length 16-bit ISA slots | Fast IDE Controller on Local Bus | Integrated Ultra VGA (1 MB, upgradable to 2 MB) | 96 MB |
| 4/25si** | 486SX-25 | | | | | |
| 4/33s | 486SX-33 | None | | | | |
| 4/33si | 486SX-33 | | | | | |
| 4/50 | 486DX-50 | Integrated in micro-processor | | | | |
| 4/50i | 486DX-50 | | | | | |
| 4/50s | 486DX-50 | | | | | |
| 4/50si | 486SX-50 | | | | | |
| 4/66 | 486DX-66 | | | | | |
| 4/66i | 486DX-66 | | | | | |
| 4/100 | 486DX4-100 | | | | | |
| 4/100i | 486DX4-100 | | | | | |
| Medium-Profile Desktop Vectras (four shelves for disks) | | | | | | |
| 486M & MI PC Series | | | | | | |
| 486/25M & MI | 486SX-25 | 487SX-25 | Four 16-bit ISA slots | Integrated IDE | Integrated Ultra VGA+ (512 KB, upgradable to 1 MB) | 48 MB |
| 486s/33M & MI | 486SX-33 | 487SX-33 | | | | |
| 486/33M & MI | 486DX-33 | Integrated in 486DX micro-processor | | | | |
| 486/66M | 486DX2-66 | | | | | |
| 486/66N | 486DX2-66 | | | | | |

*Accessory slots may be occupied by a disk controller board and a video board.

**Vectra N2 model with integrated LAN adapter.

486 Vectra PCs (Continued)

| <u>Vectra Model</u> | <u>Micro-processor</u> | <u>Co-processor</u> | <u>Accessory Slots*</u> | <u>Disk Controller</u> | <u>Video Controller</u> | <u>Max. RAM</u> |
|--|------------------------|-------------------------------|---|----------------------------------|--|-----------------|
| Medium-Profile Desktop Vectras (four shelves for disks) | | | | | | |
| 486VL PC Series | | | | | | |
| 486/25VL | 486SX-25 | 487SX-25 | Four 16-bit ISA slots | Integrated IDE | Integrated Ultra VGA (512 KB, upgradable to 1 MB) | 32 MB no parity |
| 486s/33VL | 486SX-33 | None | | | | |
| 486/33VL | 486DX-33 | Integrated in 486DX | | | | |
| 486/66VL | 486DX2-66 | micro-processor | | | | |
| 486XM PC Series** | | | | | | |
| 486s/33XM | 486SX-33 | 487SX-33 | Four 16-bit ISA slots | Integrated IDE | Integrated Ultra VGA+ 2 (1 MB, upgradable to 2 MB) | 64 MB |
| 486/33XM | 486DX-33 | Integrated in 486DX | | | | |
| 486/50XM | 486DX2-50 | micro-processor | | | | |
| 486/66XM | 486DX2-66 | | | | | |
| Vectra M2 PC Series | | | | | | |
| 4/33s | 486SX-33 | None | Three full-length 16-bit ISA slots, 1 combo (ISA or VL) | Fast IDE Controller on Local Bus | Integrated Ultra VGA (1 MB, upgradable to 2 MB) | 96 MB |
| 4/33si*** | 486SX-33 | | | | | |
| 4/50s | 486SX-50 | | | | | |
| 4/50si | 486SX-50 | | | | | |
| 4/50 | 486DX-50 | Integrated in micro-processor | | | | |
| 4/50i | 486DX-50 | | | | | |
| 4/66 | 486DX-66 | | | | | |
| 4/66i | 486DX-66 | | | | | |
| 4/100 | DX4-100 | | | | | |
| 4/100i | DX4-100 | | | | | |

*Accessory slots may be occupied by a disk controller board and a video board.

**The Vectra MI, XM, and XP have an integrated LAN adapter.

***Vectra M2 model with integrated LAN adapter.

486 Vectra PCs (Continued)

| <u>Vectra Model</u> | <u>Micro-processor</u> | <u>Co-processor</u> | <u>Accessory Slots*</u> | <u>Disk Controller</u> | <u>Video Controller</u> | <u>Max. RAM</u> |
|--|------------------------|---------------------|---------------------------|------------------------|--------------------------------|-----------------|
| Medium-Profile Desktop Vectras (four shelves for disks) | | | | | | |
| Vectra VE 4/xx PC Series | | | | | | |
| 4/50 | 486DX2-50 | Integrated in | Two 16-bit | Integrated | Integrated | 64 MB |
| 4/66 | 486DX2-66 | 486DX | ISA slots, 1 | Fast IDE | Ultra VGA 2 | |
| 4/100 | 486DX4-100 | micro-processor | combo (ISA or PCI), 1 PCI | controller | PCI (1 MB, upgradable to 2 MB) | |
| Vectra VL2 PC Series | | | | | | |
| 4/25e | 486SX-25 | None | Four 16-bit | ISA Bus IDE | Integrated | 64 MB |
| 4/33se | 486SX-33 | | ISA slots | controller | Ultra VGA | |
| 4/50se | 486 SX2-50 | Integrated in | | | (512 KB, upgradable to 1 MB) | |
| 4/50e | 486 DX2-50 | 486DX | | | | |
| 4/66e | 486 DX2-66 | micro-processor | | | | |
| 4/33s | 486SX-33 | None | | Local Bus IDE | Integrated | |
| 4/50s | 486SX2-50 | | | controller | Ultra VGA | |
| 4/50 | 486DX2-50 | Integrated in | | | (1 MB, standard) | |
| 4/66 | 486DX2-66 | 486DX | | | | |
| 4/100 | 486DX4-100 | microproces sor | | | | |
| Vectra XM2 PC Series | | | | | | |
| 4/50 | 486DX2-50 | Integrated in | Two 16-bit | Integrated | Integrated | 96 MB |
| 4/50i** | 486DX2-50 | 486DX | ISA slots, 1 | Fast IDE | Ultra VGA 2 | |
| 4/66 | 486DX2-66 | microproces sor | combo (ISA or PCI), 1 PCI | controller | PCI (1 MB, upgradable to 2 MB) | |
| 4/66i | 486DX2-66 | | | | | |
| 4/100 | 486DX4-100 | | | | | |
| 4/100i | 486DX4-100 | | | | | |

*Accessory slots may be occupied by a disk controller board and a video board.

**Vectra XM2 model with integrated LAN adapter.

SUMMARY OF HP VECTRA MODEL NUMBERS IN THIS VOLUME

| <u>Model Number</u> | <u>HP Vectra</u> | <u>Volume & Chapter</u> |
|------------------------|------------------|-----------------------------|
| D1420A | HP Vectra QS | 2 |
| D1421A | | |
| D1422A, D1422B | | |
| D1424A, D1424B | | |
| D1425A | | |
| D1427A | | |
| D1430A | | |
| D1432A, D1432B | | |
| D1434A, D1434B | | |
| D1435A | | |
| D1437A | | |
| D1439A | | |
| D1460A | | |
| D1461B, D1461C | | |
| D1462A, D1462B, D1462C | | |
| D1464A, D1464B, D1464C | | |
| D1465A | | |
| D1470A | | |
| D1472A, D1472B | | |
| D1474A, D1474B | | |
| D1475A | | |
| D1477A | | |
| D1481B, D1481C | | |
| D1482B | | |
| D1486B | | |
| D1487B | | |
| D1488B, D1488C | | |
| D1489B, D1489C | | |
| D1492B | | |
| D1496B | | |
| D1497B | | |
| D1491B | | |
| D1498B | | |
| D1499B | | |

| | | |
|----------------|---------------------------------|----|
| D1500A | HP Vectra RS | 7 |
| D1501A | | |
| D1502A | | |
| D1600A | | |
| D1601A | | |
| D1602A | | |
| D1603A | | |
| D1604A | | |
| D1606B | | |
| D2001A | | |
| D2002A | | |
| D2003A | | |
| D2004A | | |
| D2020A | | |
| D2021A | | |
| D2022A | | |
| D2023A | | |
| D2024A | | |
| D2025A | | |
| D2080A | | |
| D2082A | | |
| D2083A | | |
| D2219C | HP Vectra 486 & 486T | 8 |
| D2220A, D2220C | | |
| D2221A, D2221C | | |
| D2222A, D2222C | | |
| D2223A, D2223C | | |
| D2236A | | |
| D2237A | | |
| D2238A | | |
| D2239A | | |
| D2240A | | |
| D2260A | HP Vectra 486s/20 | 10 |
| D2261A | | |
| D2262A | | |
| D2263A | | |
| D2264A | | |
| D2265A | | |

| | | |
|----------------|--------------------------|----|
| D2266A | HP Vectra 486U | 11 |
| D2268A, D2268B | | |
| D2269A, D2269B | | |
| D2272A | | |
| D2274A, D2274B | | |
| D2275A, D2275B | | |
| D2278A | | |
| D2280A, D2280B | | |
| D2281A | | |
| D2284A | | |
| D2286A, D2286B | | |
| D2287A | | |
| D2360A | HP Vectra 386/25 | 3 |
| D2361A | | |
| D2362A | | |
| D2363A | | |
| D2364A | | |
| D2371A | | |
| D2460A | HP Vectra 286/12 | 1 |
| D2461A | | |
| D2462A | | |
| D2463A | | |
| D2464A | | |
| D2467A | | |
| D2470A | HP Vectra 386/16N | 4 |
| D2471A, D2471B | | |
| D2472A | | |
| D2473A, D2473B | | |
| D2474A | | |
| D2480A | HP Vectra 386/20N | 4 |
| D2481A, D2481B | | |
| D2482A | | |
| D2483A, D2483B | | |
| D2484A | | |
| D2486A | | |

| | | |
|--------|--------------------------|----|
| D2490A | HP Vectra 386/25N | 4 |
| D2491A | | |
| D2492A | | |
| D2493A | | |
| D2494A | | |
| D2495A | | |
| D2496A | | |
| D2497A | | |
| D2498A | | |
| D2512A | HP Vectra 386s | 6 |
| D2513A | | |
| D2514A | | |
| D2515A | | |
| D2570A | | |
| D2571A | | |
| D2572A | | |
| D2574A | | |
| D2575A | | |
| D2578A | | |
| D2579A | | |
| D2610A | HP Vectra 486N | 12 |
| D2611A | | |
| D2612A | | |
| D2613A | | |
| D2614A | | |
| D2615A | | |
| D2620A | | |
| D2621A | | |
| D2622A | | |
| D2623A | | |
| D2624A | | |
| D2625A | | |
| D2631A | | |
| D2633A | | |

| | | |
|--------|-----------------------------------|----|
| D2635A | HP Vectra 486ST | 9 |
| D2636A | | |
| D2637A | | |
| D2638A | | |
| D2639A | | |
| D2640A | | |
| D2641A | | |
| D2642A | | |
| D2646A | | |
| D2647A | | |
| D2648A | | |
| D2681A | HP Vectra 486N | 12 |
| D2683A | | |
| D2701A | HP Vectra 386/33N & NI | 5 |
| D2702A | | |
| D2703A | | |
| D2704A | | |
| D2707A | | |
| D2712A | | |
| D2751A | HP Vectra 486N & NI | 13 |
| D2752A | | |
| D2753A | | |
| D2761A | | |
| D2762A | | |
| D2763A | | |
| D2771A | | |
| D2772A | | |
| D2773A | | |
| D2793A | | |

| | | |
|----------------|--------------------------------|----|
| D2851A | HP Vectra 486M & MI | 15 |
| D2852A | | |
| D2853A | | |
| D2855A | | |
| D2857A, D2857B | | |
| D2859A | | |
| D2861A | | |
| D2862A | | |
| D2863A | | |
| D2865A | | |
| D2867A | | |
| D2871A | | |
| D2872A, D2872B | | |
| D2873A, D2873B | | |
| D2874A | | |
| D2877A, D2877B | | |
| D2892A | | |
| D2893A | | |
| D2901A | HP Vectra 486XM | 17 |
| D2902A | | |
| D2903A | | |
| D2911A, D2911B | | |
| D2912A | | |
| D2913A, D2913B | | |
| D2914A | | |
| D2921A, D2921B | | |
| D2923A | | |
| D2924A | | |
| D2931A, D2931B | | |
| D2933A | | |
| D2934A | | |
| D3021A, D3021B | HP Vectra 486VL | 16 |
| D3022A | | |
| D3024A | | |
| D3025A, D3025B | | |
| D3026A | | |
| D3028A | | |
| D3031A | | |
| D3032A | | |
| D3033A | | |

| | | |
|----------------|-------------------------------|----|
| D3034A | HP Vectra VL2 and VL2e | 20 |
| D3035A | HP Vectra 486VL | 16 |
| D3036A | | |
| D3037A | | |
| D3038A | | |
| D3039A | | |
| D3041A | HP Vectra VL2 and VL2e | 20 |
| D3042A, D3042B | | |
| D3043A | | |
| D3048A | | |
| D3054A | | |
| D3055A | | |
| D3056A | | |
| D3112A | | |
| D3113A | | |
| D3115A | | |
| D3116A | | |
| D3121A | | |
| D3122A, D3122B | | |
| D3123A, D3123B | | |
| D3124A | | |
| D3125A | | |
| D3126A | | |
| D3127A | | |
| D3128A | | |
| D3129A | | |
| D3131A | | |
| D3133A | | |
| D3135A | | |
| D3136A | | |
| D3137A | | |
| D3138A, 3138B | | |
| D3139A, 3139B | | |

| | | |
|----------------|-------------------------------|----|
| D3141A | HP Vectra N2 | 14 |
| D3142A | | |
| D3143A | | |
| D3144A | | |
| D3145A | | |
| D3146A | | |
| D3148A | | |
| D3149A | | |
| D3151A | HP Vectra M2 | 18 |
| D3152A | | |
| D3153A | | |
| D3157A, D3157B | | |
| D3158A | | |
| D3159A, D3159B | | |
| D3161A | | |
| D3162A | | |
| D3164A | | |
| D3172A | HP Vectra VL2 and VL2e | 20 |
| D3173A, D3173B | | |
| D3174A, D3174B | | |
| D3180A | HP Vectra N2 | 14 |
| D3181A | | |
| D3182A | HP Vectra M2 | 18 |
| D3183A, D3183B | | |
| D3185A | | |
| D3186A | HP Vectra N2 | 14 |
| D3187A | | |
| D3188A | | |
| D3189A | | |
| D3191A | HP Vectra VL2 and VL2e | 20 |
| D3192A, D3192B | | |
| D3193A, D3193B | | |
| D3194A, D3194B | | |
| D3195A | | |
| D3196A | | |

| | | |
|----------------|----------------------|----|
| D3210A | HP Vectra XM2 | 21 |
| D3211A | | |
| D3212A | | |
| D3213A | | |
| D3220A | | |
| D3221A, D3221B | | |
| D3222A, D3222B | | |
| D3224A, D3224B | | |
| D3230A | | |
| D3231A, D3231B | | |
| D3232A, D3232B | | |
| D3233A, D3233B | | |
| D3255A | | |
| D3258A | | |
| D3259A | | |
| D3307A | HP Vectra N2 | 14 |
| D3308A | | |
| D3309A | | |
| D3370A | | |
| D3371A | | |
| D3372A | | |
| D3376A | | |
| D3377A | | |
| D3380A | HP Vectra M2 | 18 |
| D3381B | | |
| D3382A | | |
| D3386A | | |
| D3387A | | |
| D3388A | | |
| D3389A | | |

D3491A

HP Vectra VE 4/xx

19

D3492A

D3493A

D3494A

D3495A

D3496A

D3497A

D3498A

D3501A

D3502A

D3503A

D3504A

1 HP VECTRA 286/12 PC

MODELS AND ACCESSORIES

| <u>Product Number</u> | <u>Flexible Drive A:</u> | <u>Hard Drive C:</u> | <u>Disk Controller</u> | <u>Video Controller</u> | <u>Std. RAM</u> |
|--|--------------------------|----------------------|---------------------------------------|----------------------------------|-----------------|
| Vectra 286/12 PC | | | | | |
| HP Vectra 286/12 PC (CPL: 05/90; discontinued: 03/93) | | | | | |
| D2460A | 1.2 MB (45812A) | None | IDE M-F Board (D2384-63031) | Integrated Super VGA (256 KB) | 1 MB |
| D2461A | | 20 MB (D1296A) | ST-506 F-F Board (45945- 60013) | | |
| D2462A | 1.44 MB (D1667A) | | | | |
| D2463A | 1.2 MB (45812A) | 42 MB (D1665A) | IDE M-F Board (D2384-63031) | | |
| D2464A | 1.44 MB (D1667A) | | | | |
| D2467A | | None | | | |

SUPPORTED ACCESSORIES

| | |
|---|--------|
| 2 MB Main Memory Upgrade (2x1 MB modules) kit | D1354A |
| 1 MB Main Memory Upgrade (2x256 KB modules) kit | D1640A |
| Main Memory Extension Board | D2401A |
| Intel 80C287Math Coprocessor (12MHz) | D2400A |
| Security Lock | 45986A |
| Setup Kit (setting up manual and diskettes) | D2402B |

Input Devices

| | |
|-------------------------|--------|
| Mouse (PS/2, Microsoft) | C1413A |
| Keyboard | C1405A |

Video Displays

| | |
|--------------------------------------|----------|
| Monochrome Display | D1192A/B |
| VGA Color Display 14-inch | D1182A/B |
| Ultra VGA Color Display 17-inch | D1193A |
| Super VGA Color Display 14-inch | D1194A |
| Ergo Super VGA Color Display 15-inch | D1195A |
| Ergo Ultra VGA Color Display 15-inch | D1196A |
| Color VGA Display | D1197A |
| Ultra VGA 1600 Display | D1199A |
| Monochrome VGA 14-inch Display | D2801A/B |
| Entry-Level SVGA 14-inch Display | D2802A |
| Super VGA 1024i 14-inch Display | D2804A |

Video Displays (continued)

| | |
|---|--------|
| Ergo 1024 14-inch Display | D2805A |
| Ergo Ultra VGA 15-inch Display | D2806A |
| Ultra VGA 1280 17-inch Display | D2807A |
| Super VGA 14-inch Display (Low Emissions) | D2814A |

Video Boards

| | |
|---|--------|
| HP Intelligent Controller 20 | A1083A |
| HP Intelligent Controller 10 | A1086A |
| HP Intelligent Controller 10 Memory Board | A1087A |

Multifunction Controller Boards

| | |
|--|-------------|
| HP IDE Multifunction Controller Board | D2384-60021 |
| HP ST-506 Four-Function Controller Board | 45945-60013 |

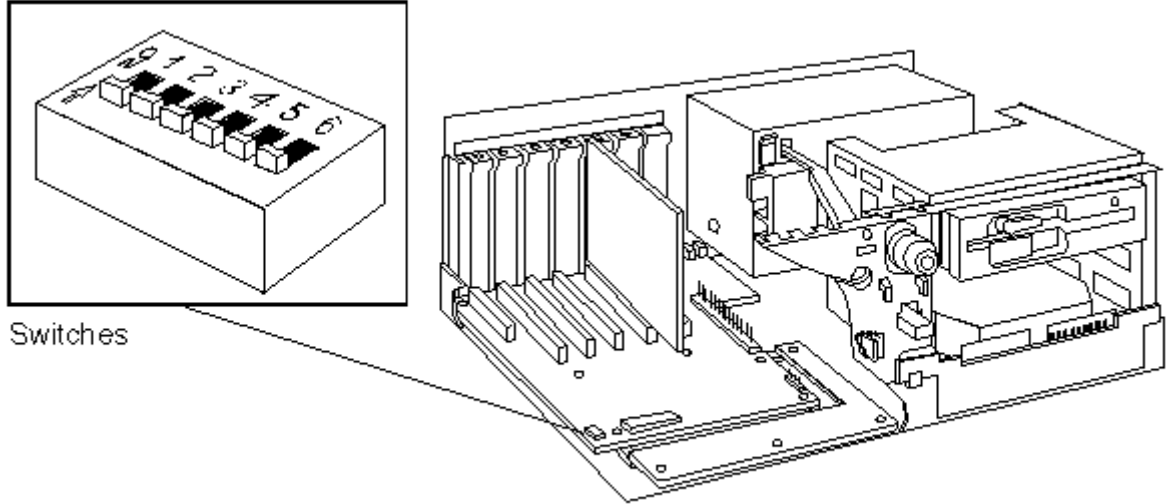
Mass Storage

| | |
|----------------------------------|--------|
| Flexible Disk 360 KB 5-1/4 inch | 45811A |
| Flexible Disk 1.2 MB 5-1/4 inch | 45812A |
| Flexible Disk 1.44 MB 3-1/2 inch | D1667A |
| ST-225 20 MB Hard Disk | D1296A |
| ST-251 40 MB Hard Disk | D1297A |
| ESDI 108 MB Hard Disk | D1445A |
| ESDI 152 MB Hard Disk | D1446A |
| IDE 42 MB Hard Disk | D1665A |
| IDE 84 MB Hard Disk | D1666A |
| IDE 120 MB Hard Disk | D1679A |
| IDE 168 MB Hard Disk | D1680A |

Datacomm and LAN Boards

| | |
|----------------------------|--------|
| Serial Parallel Board | 24540B |
| Dual Serial Board | 24541B |
| Modem 1200 baud | 24550A |
| Modem 2400 baud | 24551A |
| Ethertwist PC Link Adapter | 27245A |
| Ethertwist Adapter/16 | 27247A |
| Ethertwist Adapter/16 | 27247B |
| HP ThinLAN Board | 27250A |
| Terminal Multiplexor | D2040A |

SYSTEM BOARD, BIOS, AND MEMORY



HP Vectra 286/12 PC System Board Switches

| Switch | Function | Default |
|--------|--|------------|
| 1 | OFF Video interrupt IRQ 9 — disabled ON Video interrupt IRQ 9 — enabled | OFF |
| 2 | OFF Built-in VGA controller — enabled ON Built-in VGA Controller — disabled (disable built-in video if another video board is used) | OFF |
| 3 | OFF Mouse interrupt IRQ 12 — enabled ON Mouse interrupt IRQ 12 — disabled (disable mouse if an accessory board uses IRQ 12) | OFF |
| 4 | OFF Power-on password — enabled ON Power-on password — disabled | OFF |
| 5 | OFF Option ROMs on I/O backplane — enabled ON Option ROMs on memory extension board — enabled | OFF |
| 6 | OFF Reserved (leave at factory default setting) | OFF |

SETUP AND BIOS HISTORY

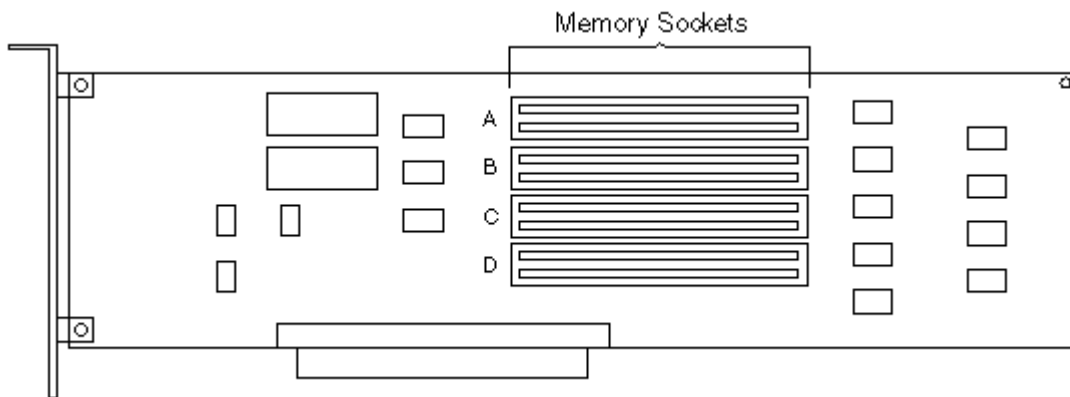
Setup version "C.xx.xx" is used on Vectra 286/12 PCs.

| BIOS Ver. | Date | Description | Kit Part No. | Min Setup |
|------------------|-------------|--|---------------------|------------------|
| H.03.01 | Mar 90 | First release | - | C.02.00 |
| H.03.02 | Nov 90 | Second release | - | |
| H.03.03 | Dec 90 | Support for floppy-less config & VMI video board Fix spelling error in an invalid Real Time Clock message | - | C.02.00 |
| H.03.04 | Dec 91 | Change to revision of video BIOS* | 5062-1319 | |

*Vectra 286/12 video BIOS: refer to notes in appendix D.

MAIN MEMORY EXTENSION BOARD (D2401A)

The HP Vectra 286/12 PC system board has 1 MB of main memory. The HP D2401A Main Memory Extension Board can be installed in slot 6 to add up to 8 MB of main memory to the HP Vectra 286/12 PC.



D2401A Vectra 286/12 Main Memory Extension Board

Main Memory Configuration

| For a TOTAL mem of: | Install Memory Modules in these banks (each bank has two sockets): | | | | | | | | Using This Kit(s): |
|----------------------------------|---|----------|----------|----------|----------|----------|----------|----------|--------------------------|
| | A | A | B | B | C | C | D | D | |
| 2 MB | | | | | 256 KB | 256 KB | 256 KB | 256 KB | 1 1-MB kit |
| 3 MB | | | | | 1 MB | 1 MB | | | 1 2-MB kit |
| 5 MB | | | | | 1 MB | 1 MB | 1 MB | 1 MB | 2 2-MB kits |
| 6 MB* | 1 MB | 1 MB | 1 MB | 1 MB | 1 MB | 1 MB | | | 3 2-MB kits |
| 8 MB | 1 MB | 1 MB | 1 MB | 1 MB | 1 MB | 1 MB | 1 MB | 1 MB | 4 2-MB kits |

*For 6 MB or 8 MB, the original 1 MB on the system board is automatically ignored.

HP VECTRA 286/12 PC 800x600 EXTENDED SUPER VGA MODE USERS

1. The new video BIOS version of the Vectra 286/12 PC (version 7.04) includes changes to the vertical refresh rate of the video display. This code is included in the BIOS ROM versions H.03.04 and higher.

In this version, the refresh rate for 800x600 modes is now 60 Hz instead of 56 Hz. This requires displays capable of running a 38 KHz horizontal scan rate.

As a result, some displays may no longer work. A known product having this problem is the NEC 2A monitor.

For users experiencing this incompatibility, when changing the Vectra 286/12 BIOS ROM, two possible solutions may be used:

- * Keep the old BIOS ROM version (H.03.03) on the system board.
or
- * Use the previous revision (2.75) of the ALTPARM.COM driver.

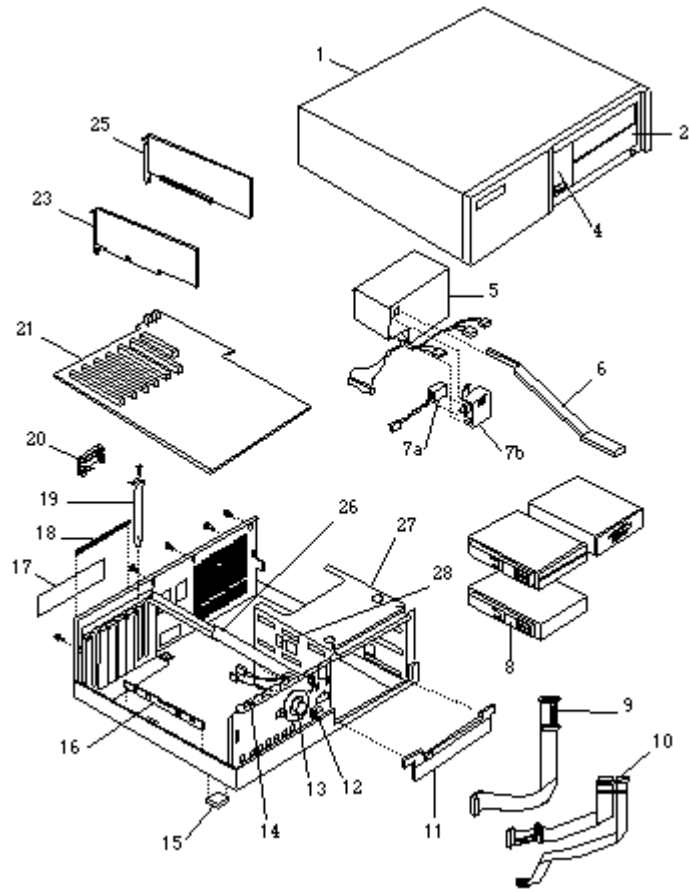
The following table will help you understand the problem:

| | <u>BIOS rev H.03.03</u> | <u>BIOS rev H.03.04</u> |
|-----------------------------|--|--|
| ALTPARM.COM version 2.75 | Always set to 56 Hz | Use 60 Hz if ALTPARM not loaded Use 56 Hz if ALTPARM loaded |
| ALTPARM.COM version 2.78 | Use 56 Hz if ALTPARM not loaded Use 60 Hz if ALTPARM loaded | Always set to 60 Hz. |

2. A known incompatibility exists between the new video BIOS, contained in ROM BIOS H.03.04 and above, and older revisions of the AUTOCAD super VGA driver. When using the new video BIOS and the old AUTOCAD driver (for AUTOCAD Rel 10 only), some colors may disappear.

The solution to this problem is to use the newer AUTOCAD driver, supporting AUTOCAD Rel 10 and 11. This driver is available on HP internal PCG bulletin boards.

PART NUMBERS



Parts List for HP Vectra 286/12 PC

| <u>Item</u> | <u>Description</u> | <u>Replacement Part Number</u> | <u>Exchange Part Number</u> |
|-------------|--|----------------------------------|-----------------------------|
| 1 | Top Cover-Bezel Assembly | 5062-2654 | — |
| 2 | Disk Drive Cover Plate | 45935-40008 | — |
| 4 | Front Bezel Insert | 45935-40004 | — |
| | Keylock Front Bezel Insert | 5041-2533 | — |
| 5 | Power Supply | 0950-2190 | — |
| 6 | Power Switch Shaft | 5041-1057 | — |
| 7a | Battery | 45935-60201 | — |
| 7b | Battery Bracket | 45945-40006 | — |
| 8 | 5.25-inch Disk Mounting Tray | D1445-60001 | — |
| | 3.5-inch Disk Mounting Tray | D1665-60003 | — |
| 9 | Flexible Disk Drive Cable, 3.5 & 5.25-inch disk | 5181-5623 | — |
| 10 | Hard Disk Cable: | | |
| | Dual Hard Disk Cable (for ESDI/ST-506 drive) | 5181-5646 | — |
| | Hard Disk Cable (for 2nd ESDI/ST-506 drive) | 5061-8981 | — |
| | Hard Disk Cable (for IDE drive) | 5181-5670 | — |
| 11 | Drive Door | 45945-40004 | — |
| 12 | LED Assembly | D1173-60002 | — |
| | LED Holder | 1400-1461 | — |
| 13 | Speaker Assembly | 02620-60016 | — |
| 14 | Board Guide | 45945-40005 | — |
| 15 | Bumper Foot | 45935-40011 | — |
| 16 | Side Panel Clip | 45945-00011 | — |
| 17 | Serial Label | 5181-4805 | — |
| 18 | Rear panel RFI clip | 5181-0596 | — |
| 19 | I/O Panel, Blank | 45935-00004 | — |
| 20 | Rear Panel Adapter (included with system board) | 5001-4220 | — |
| 21 | System Board | See PC's system board Parts list | |
| 23 | Disk and I/O Controller Boards (slot 5): | | |
| | ST-506 Four-Function Controller Board | 45945-60013 | 45945-69023 |
| | IDE Multifunction Controller Board | D2384-63031 | D2384-69021 |
| 25 | Optional Memory Board (slot 6): | | |
| | Memory Extension Board (D2401A) | D2401-63001 | D2401-69001 |
| 26 | Chassis Stiffener: | D1410-00003 | — |
| 27 | Chassis Assembly and Base (includes Bumper Foot, Speaker, I/O Panel and Light Pipe) | 5062-2650 | — |
| 28 | Cable Clamp | 1400-1365 | — |
| | Power Connector Adapter Cable | 5062-5550 | — |
| | Nameplate: HP Vectra 286/12 Logo | D2460-40001 | — |
| | Screws: | | |

Refer to Parts List for HP Vectra 386/25 PC, starting on page 3-6.

System Board Parts List for HP Vectra 286/12 PC

| <u>Description</u> | <u>Replacement Part Number</u> | <u>Exchange Part Number</u> |
|---|--------------------------------|-----------------------------|
| System Board (includes integrated Super VGA controller): | | — |
| Vectra 286/12 System Board | D2460-63001 | D2460-69001 |
| System Board Holder (bracket) | D1410-00001 | — |
| Processor: 286 12 MHz | Processor not removable | |
| Math Coprocessor: 287 12 MHz | D2400-60001 | — |
| System Memory Modules:* | | |
| 1 MB Main Memory Module | 5062-2674 | — |
| 256 KB Main Memory Module | 1818-4268 | — |
| BIOS ROM Kit | 5062-1319 | — |

*Caution: do not use 1 MB main memory modules 1818-4271 in the Vectra 286/12 PC.

Support Manuals for HP Vectra 286/12 PC

| | |
|---|------------------|
| Familiarization Guide | D2460A+49A-90001 |
| Service Manual | D2460-90001 |
| Technical Reference Manual: Hardware and BIOS | D2460-90002 |

Part Numbers for HP Utility Diskettes

| <u>Description</u> | <u>Rev</u> | <u>Date Code</u> | <u>Part #</u> | <u>Info.</u> |
|---|------------|------------------|--------------------|---------------|
| Vectra 286/12 Setup & Utilities Disks: | | | | |
| 3.5-inch disk | A.02.01 | 3138 | Available on HP PC | Setup version |
| 5.25-inch disk | | | Internal BBS | C.02.00 |

2 HP VECTRA QS PC SERIES

MODELS AND ACCESSORIES

| <u>Product Number</u> | <u>Flexible Drive A:</u> | <u>Hard Drive C:</u> | <u>Disk Controller</u> | <u>Video Controller</u> | <u>Std. RAM</u> |
|--|--------------------------|----------------------|--------------------------------|-------------------------|-----------------|
| Vectra QS PCs | | | | | |
| HP Vectra QS/16S PC (CPL: 05/89; discontinued: 05/92) | | | | | |
| D1470A | 1.2 MB) (45812A) | None | ST-506 F-F Board (45945-60013) | None | 1 MB |
| D1472A | | 40 MB (D1297A) | IDE* F-F Board (D2384-63031) | VGA Board (D1180A) | |
| D1472B | | 42 MB (D1665A) | ST-506 F-F Board (45945-60013) | | |
| D1474A | 1.44 MB (D1667A) | 40 MB (D1297A) | IDE M-F Board* (D2384-63031) | | |
| D1474B | | 42 MB (D1665A) | ESDI F-F Board (D1677A) | None | 1 MB |
| D1475A | 1.2 MB (45812A) | 108 MB (D1445A) | ESDI F-F Board (D1677A) | None | |
| D1477A | 1.44 MB (D1667A) | None | IDE M-F Board (D2384-63031) | VGA Board (D1180A) | |
| D1482B | 1.2 MB (45812A) | 84 MB (D1666A) | | | |
| D1486B | | | | | |
| D1487B | 1.44 MB (D1667A) | | | | |

*IDE: Integrated Drive Electronics, also known as embedded AT.

**M-F Board: Multifunction Controller Board.

| Product Number | Flexible Drive A: | Hard Drive C: | Disk Controller | Video Controller | Std. RAM |
|--|--------------------------|----------------------|-----------------------------------|--|-----------------|
| <i>From May 90, all QS/16S products had new model numbers:</i> | | | | | |
| D1460A | 1.2 MB (45812A) | None | ST-506 F-F Board (45945-60013) | None | 1 MB |
| D1461B | 1.44 MB (D1667A) | | IDE M-F Board (D2384-63031) | | 2 MB |
| D1461C | | | | | |
| D1462A | 1.2 MB (45812A) | 40 MB (D1297A) | ST-506 F-F Board (45945-60013) | VGA Board (D1180A) | 1 MB |
| D1462B | | 42 MB (D1665A) | IDE M-F Board (D2384-63031) | VGA (D1180A) or Super VGA (D2382A) | |
| D1462C | | | | Super VGA Board (D2382A) | 2 MB |
| D1464A | 1.44 MB (D1667A) | 40 MB (D1297A) | ST-506 F-F Board (45945-60013) | VGA Board (D1180A) | 1 MB |
| D1464B | | 42 MB (D1665A) | IDE M-F Board (D2384-63031) | VGA (D1180A) or Super VGA (D2382A) | |
| D1464C | | | | Super VGA Board (D2382A) | 2 MB |
| D1465A | 1.2 MB (45812A) | 108 MB (D1445A) | ESDI F-F Board (D1677A) | None | 1 MB |
| D1481B | | None | IDE M-F Board (D2384-63031) | | 2 MB |
| D1481C | | | | | |
| D1488B | | 84 MB (D1666A) | | VGA (D1180A) or Super VGA (D2382A) | 1 MB |
| D1488C | | | | Super VGA Board (D2382A) | 2 MB |
| D1489B | 1.44 MB (D1667A) | | | VGA (D1180A) or Super VGA (D2382A) | 1 MB |
| D1489C | | | | Super VGA Board (D2382A) | 2 MB |

| Product Number | Flexible Drive A: | Hard Drive C: | Disk Controller | Video Controller | Std. RAM |
|---|--------------------------|----------------------|--------------------------------|------------------------------------|-----------------|
| HP Vectra QS/20 PC (CPL: 03/89; discontinued: 05/92) | | | | | |
| D1430A | None | None | ESDI F-F Board (D1677A) | None | 1 MB |
| D1432A | 1.2 MB (45812A) | 40 MB (D1297A) | ST-506 F-F Board (45945-60013) | VGA Board (D1180A) | |
| D1432B | | 42 MB (D1665A) | IDE M-F Board (D2384-63031) | | |
| D1434A | 1.44 MB (D1667A) | 40 MB (D1297A) | ST-506 F-F Board (45945-60013) | VGA Board (D1180A) | |
| D1434B | | (42 MB D1665A) | IDE M-F Board (D2384-63031) | | |
| D1435A | 1.2 MB (45812A) | 108 MB (D1445A) | ESDI F-F Board (D1677A) | None | |
| D1437A | 1.44 MB (D1667A) | None | | | |
| D1439A | 1.2 MB (45812A) | | | | |
| D1492B | | | IDE M-F Board (D2384-63031) | | |
| D1496B | | 84 MB (D1666A) | | VGA Board (D1180A) | |
| D1497B | 1.44 MB (D1667A) | | | | |
| <i>From May 90, all QS/20 products had new model numbers:</i> | | | | | |
| D1420A | 1.2 MB (45812A) | None | ESDI F-F Board (D1677A) | None | 1 MB |
| D1421B | 1.44 MB (D1667A) | | IDE M-F Board (D2384-63031) | | |
| D1422A | 1.2 MB (45812A) | 40 MB (D1297A) | ST-506 F-F Board (45945-60013) | VGA Board (D1180A) | |
| D1422B | | 42 MB (D1665A) | IDE M-F Board (D2384-63031) | VGA D1180A or Super VGA (D2382A) | |
| D1424A | 1.44 MB (D1667A) | 40 MB (D1297A) | ST-506 F-F Board (45945-60013) | VGA Board (D1180A) | |
| D1424B | | 42 MB (D1665A) | IDE M-F Board (D2384-63031) | VGA (D1180A) or Super VGA (D2382A) | |
| D1425A | 1.2 MB (45812A) | 108 MB (D1445A) | ESDI F-F Board (D1677A) | None | 1 MB |
| D1427A | 1.44 MB (D1667A) | None | | | |
| D1491B | 1.2 MB (45812A) | | IDE M-F Board (D2384-63031) | | |
| D1498B | | 84 MB (D1666A) | | VGA (D1180A) or Super VGA (D2382A) | |
| D1499B | 1.44 MB (D1667A) | | | | |

SUPPORTED ACCESSORIES

| | |
|--|--------|
| 2 MB Memory Upgrade (2x1 MB modules) kit-QS/16S | D1354A |
| 1 MB Memory Upgrade (4x256 KB modules) kit-QS/20 | D1640A |
| 4 MB Memory Upgrade (4x1 MB modules) kit-QS/20 | D1642A |
| Main Memory Extension Board-QS/20 | D1440A |
| Intel 80387SX-16 Math Coprocessor-QS/16S | D1453A |
| Intel 80387SL Math Coprocessor-QS/16S | D2408A |
| Intel 80387DX Math Coprocessor-QS/20 | D2070A |
| Security Lock | 45986A |
| Setup Kit (setting up manual and diskettes) | D1451C |

Video Displays

| | |
|---|------------|
| Monochrome Display | D1181A/W/G |
| VGA Color Display | D1182A/B |
| High Resolution Color Display | D1187A |
| High Resolution Color Display | D1188A |
| Monochrome Display | D1192A/B |
| Ultra VGA Color Display 17-inch | D1193A |
| Super VGA Color Display 14-inch | D1194A |
| Ergo Super VGA Color Display 15-inch | D1195A |
| Ergo Ultra VGA Color Display 15-inch | D1196A |
| Color VGA Display | D1197A |
| Ultra VGA 1600 Display | D1199A |
| Monochrome VGA 14-inch Display | D2801A/B |
| Entry-Level SVGA 14-inch Display | D2802A |
| Super VGA 1024i 14-inch Display | D2804A |
| Ergo 1024 14-inch Display | D2805A |
| Ergo Ultra VGA 15-inch Display | D2806A |
| Ultra VGA 1280 17-inch Display | D2807A |
| Super VGA 14-inch Display (Low Emissions) | D2814A |

Video Boards

| | |
|---|--------|
| HP Intelligent Controller 20 | A1083A |
| HP Intelligent Controller 10 | A1086A |
| HP Intelligent Controller 10 Memory Board | A1087A |
| HP VGA Board | D1180A |
| HP Super VGA Board | D2382A |

Multifunction Controller Boards

| | |
|--|-------------|
| HP IDE Multifunction Controller Board | D2384-60021 |
| HP ST-506 Four-Function Controller Board | 45945-60013 |
| HP ESDI Four-Function Controller Board | D1677A |

Mass Storage

| | |
|----------------------------------|--------|
| Flexible Disk 360 KB 5-1/4 inch | 45811A |
| Flexible Disk 1.2 MB 5-1/4 inch | 45812A |
| Flexible Disk 1.44 MB 3-1/2 inch | D1667A |
| ST-225 20 MB Hard Disk | D1296A |
| ST-251 40 MB Hard Disk | D1297A |
| ESDI 108 MB Hard Disk | D1445A |
| ESDI 152 MB Hard Disk | D1446A |
| IDE 42 MB Hard Disk | D1665A |
| IDE 84 MB Hard Disk | D1666A |
| IDE 120 MB Hard Disk | D1679A |
| IDE 168 MB Hard Disk | D1680A |

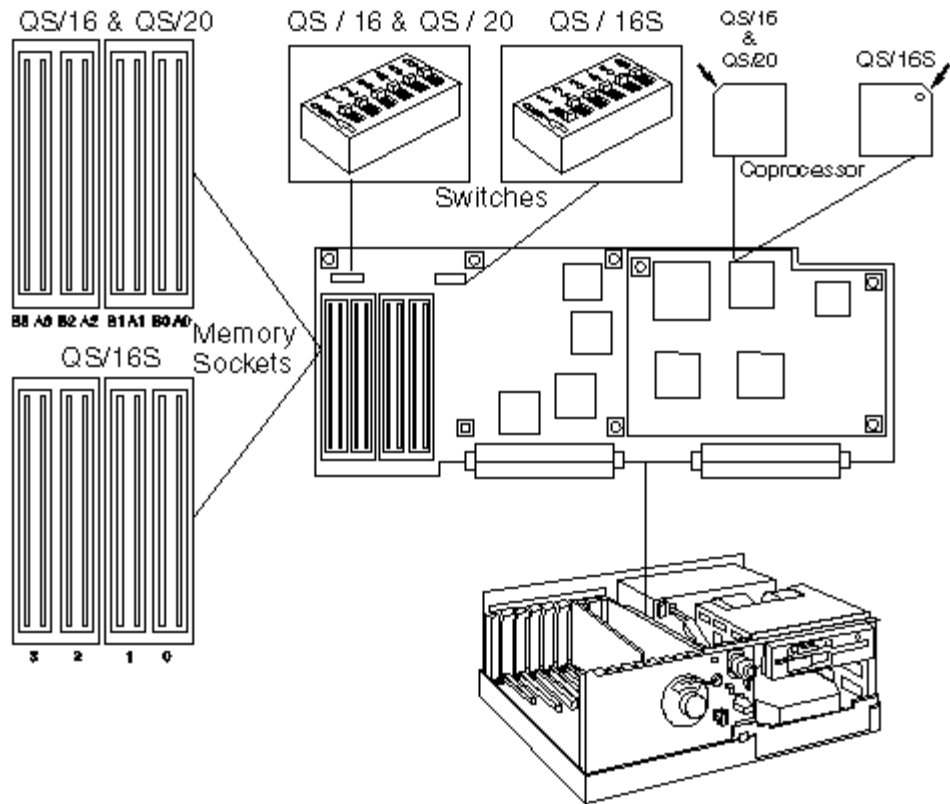
Datcomm and LAN Boards

| | |
|----------------------------|--------|
| Serial Parallel Board | 24540B |
| Dual Serial Board | 24541B |
| Modem 1200 baud | 24550A |
| Modem 2400 baud | 24551A |
| Ethertwist PC Link Adapter | 27245A |
| Ethertwist Adapter/16 | 27247A |
| Ethertwist Adapter/16 | 27247B |
| HP ThinLAN Board | 27250A |
| Terminal Multiplexor | D2040A |

Input Devices

| | |
|--------------|--------|
| HP-HIL Mouse | 46060A |
| Keyboard | C1405A |

SYSTEM BOARD, BIOS, AND MEMORY



HP Vectra QS Processor/Memory Board Switches

| Switch # | Function | Default | | |
|----------|----------|---------|-------|--------|
| | | QS/16 | QS/20 | QS/16S |
| 1 | ON | ON | ON | OFF |
| | OFF | | | |
| 2 | ON | ON | ON | ON |
| | OFF | | | |
| 3 | ON | ON | ON | ON |
| | OFF | | | |
| 4 | ON | ON | ON | ON |
| | OFF | | | |
| 5 | ON | ON | ON | ON |
| 6 | ON | ON | ON | ON |
| | OFF | | | |

SETUP AND BIOS HISTORY

Setup version "B.xx.xx" is used on Vectra QS PCs.

| BIOS Ver. | Date | Description | Kit Part No. | Min Setup |
|----------------------------|--------|--|--------------|-----------------|
| Vectra QS PCs | | | | |
| HP Vectra QS/16S PC | | | | |
| F.02.00 | Mar 89 | First release | - | Any "B" version |
| F.02.01 | - | Not available | - | |
| F.02.02 | Nov 89 | Provides product design fix for C & T chip set | - | |
| F.02.03 | Nov 89 | Same as D.02.03 (QS/20) | - | |
| F.02.04 | Jun 90 | Same as D.02.04 (QS/20) | - | |
| F.02.05 | Oct 90 | Same as D.02.05 (QS/20) | D1470-83005 | |
| F.02.07 | Feb 92 | Same as D.02.06 (QS/20) | D1470-83006 | |
| F.02.08 | Aug 93 | Same as D.02.07 (QS/20) | D1470-83007 | |

| <u>BIOS Ver.</u> | <u>Date</u> | <u>Description</u> | <u>Kit Part No.</u> | <u>Min Setup</u> |
|---------------------------|-------------|--|---------------------|------------------|
| HP Vectra QS/20 PC | | | | |
| D.02.01 | Feb 89 | First release | - | Any "B" version |
| D.02.02 | Mar 89 | Provides fixes for product line defects. One major fix is for Toshiba floppy drive | - | |
| D.02.03 | Oct 89 | Support for 3rd party disk drive and HP D1665A, D1666A, D1660A and D1661A Provides fix for system power up/reset to be compatible with IBM and Compaq | - | |
| D.02.04 | Jun 90 | Support for HP D1679A and D1680A hard disks to replace HP D1445A, D1446A, D1674A, D1675A, D1676A Add fix to support VMI video board | - | |
| D.02.05 | Oct 90 | Provides fixes for Western Digital hardcard 40 & the Ungermann-Bass Network interface board 2237A | D1430-83004 | |
| D.02.06 | Feb 92 | Provides fixes for problems with: - Sigma L-View video boards - 387 intermittent hang Supports Hard disks greater than 528 MB | D1430-83005 | |
| D.02.07 | Aug 93 | Adds support for: - Novell NE2100 board - Intel Rapid CAD | D1430-83006 | |

MAIN MEMORY

The QS/16S processor/memory board has eight sockets for main memory modules, for a maximum of up to 8 MB. Each pair of sockets (labeled 0, 1, 2, and 3) forms a bank.

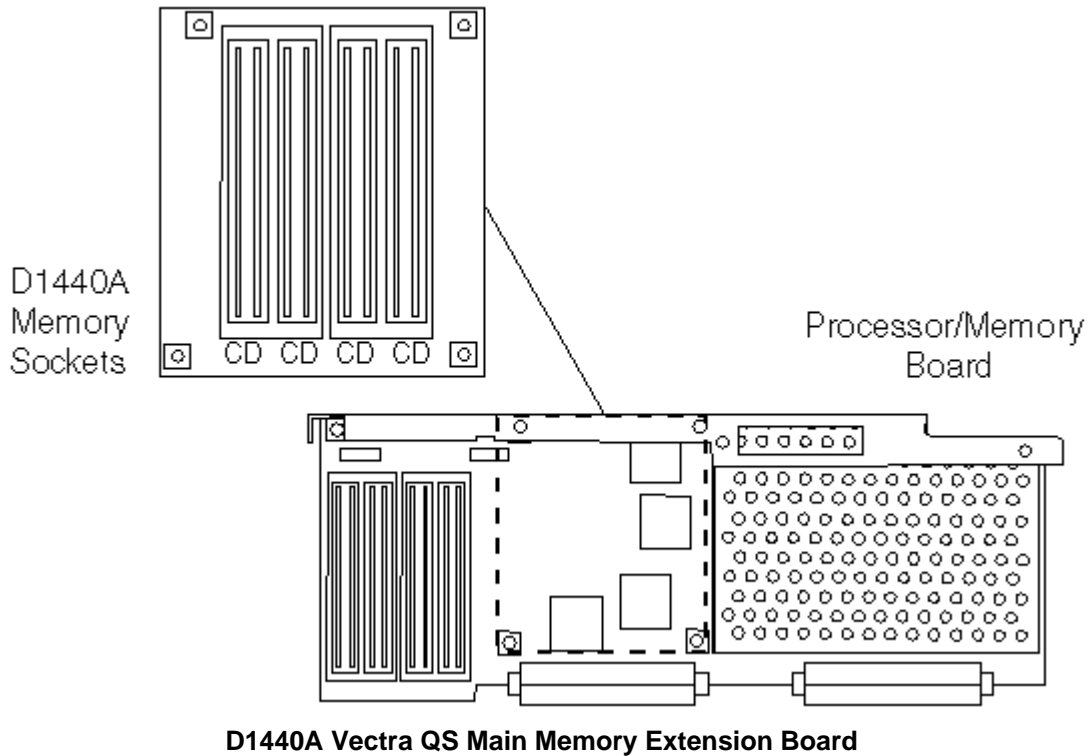
HP Vectra QS/16S PC Main Memory Configuration

| <u>For a TOTAL mem of:</u> | <u>Install Memory Modules in these banks (each bank has two sockets):</u> | | | | | | | |
|------------------------------------|---|----------|----------|----------|----------|----------|----------|----------|
| | <u>0</u> | <u>0</u> | <u>1</u> | <u>1</u> | <u>2</u> | <u>2</u> | <u>3</u> | <u>3</u> |
| 1 MB | 256 KB | 256 KB | 256 KB | 256 KB | | | | |
| 2 MB | 256 KB | 256 KB | 256 KB | 256 KB | 256 KB | 256 KB | 256 KB | 256 KB |
| 2 MB | 1 MB | 1 MB | | | | | | |
| 3 MB* | 256 KB | 256 KB | 256 KB | 256 KB | 1 MB | 1 MB | | |
| 4 MB | 1 MB | 1 MB | 1 MB | 1 MB | | | | |
| 5 MB* | 256 KB | 256 KB | 256 KB | 256 KB | 1 MB | 1 MB | 1 MB | 1 MB |
| 6 MB | 1 MB | 1 MB | 1 MB | 1 MB | 1 MB | 1 MB | | |
| 8 MB | 1 MB | 1 MB | 1 MB | 1 MB | 1 MB | 1 MB | 1 MB | 1 MB |

*For 3 MB & 5 MB configurations, the 256 KB modules must be in banks 0 and 1.

The QS/20 processor/memory board has eight sockets for main memory modules, for a maximum of up to 8 MB. Each pair of sockets (labeled A0 to A3 and B0 to B3) forms a bank.

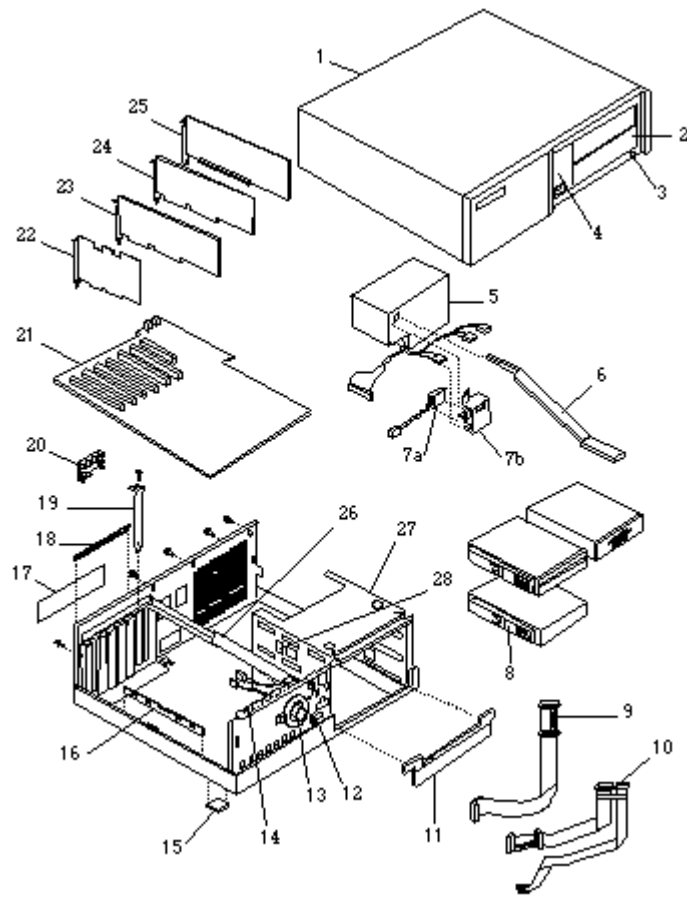
The main memory of the QS/20 can be expanded further by installing the HP D1440A Main Memory Extension Board (onto the processor/memory board). This board has eight main memory sockets, for a maximum of 8 MB, in two banks labeled C and D.



HP Vectra QS/20 PCs Main Memory Configuration

| <u>For a TOTAL main memory of:</u> | <u>Install:</u> | <u>In these sockets:</u> |
|------------------------------------|---|--|
| 1 MB | Four 256 KB modules | All A sockets |
| 2 MB | Eight 256 KB modules | All A and B sockets |
| 4 MB | Sixteen 256 KB modules | All A, B, C, and D sockets |
| 4 MB | Four 1 MB modules | All A sockets |
| 8 MB | Eight 1 MB modules | All A and B sockets |
| 10 MB | Eight 256 KB modules and eight 1 MB modules | All A and B sockets All C and D sockets |
| 16 MB | Sixteen 1 MB modules | All A, B, C, and D sockets |

PART NUMBERS



Parts List for HP Vectra QS/20, and QS/16S PCs

| Item | Description | Replacement Part Number |
|-------------|---|--------------------------------|
| 1 | Top Cover-Bezel Assembly* | 45945-60214 |
| 2 | Disk Drive Cover Plate | 45935-40008 |
| 4 | Front Bezel Insert | 45935-40004 |
| | Keylock Front Bezel Insert | 5041-2533 |
| 5 | Power Supply | 0950-2190 |
| 6 | Power Switch Shaft | 5041-1057 |
| 7a | Battery | 45935-60201 |
| 7b | Battery Bracket | 45945-40006 |
| 8 | 5.25-inch Disk Mounting Tray | D1445-60001 |
| | 3.5-inch Disk Mounting Tray | D1665-60003 |
| 9 | Flexible Disk Drive Cable, 3.5 & 5.25-inch disk | 5181-5623 |
| 10 | Hard Disk Cable: | |
| | Dual Hard Disk Cable (for ESDI/ST-506 drive) | 5181-5646 |
| | Hard Disk Cable (for 2nd ESDI/ST-506 drive) | 5061-8981 |
| | Hard Disk Cable (for IDE drive) | 5181-5670 |
| 11 | Drive Door | 45945-40004 |
| 12 | LED Assembly | D1173-60002 |
| | LED Holder | 1400-1461 |
| 13 | Speaker Assembly | 02620-60016 |
| 14 | Board Guide | 45945-40005 |
| 15 | Bumper Foot | 45935-40011 |
| 16 | Side Panel Clip | 45945-00011 |
| 17 | Serial Label | 5181-4805 |
| 18 | Rear panel RFI clip | 5181-0596 |
| 19 | I/O Panel, Blank | 45935-00004 |
| 20 | Rear Panel Adapter | 5001-4221 |

*Includes the front bezel and computer cover.

Parts List for HP Vectra QS//20, and QS/16S PCs (continued)

| <u>Item</u> | <u>Description</u> | <u>Replacement Part Number</u> | <u>Exchange Part Number</u> |
|-------------|---|--|---|
| 21 | System Interface Boards: Vectra QS/20 System Interface Board Vectra QS/16S System Interface Board Vectra QS System Interface Board Extender | D1410-63002 D1470-63002 D1410-00001 | D1410-69002 D1470-69002 |
| 22 | Video Boards (slot 1): HP VGA Board (D1180A) See Vectra Accessories — Part numbers for Video Boards HP Super VGA Board (D2382A) | — — D2382-63004 | — — D2382-69004 |
| 23 | Disk Controller Boards (slot 7): ST-506 Four-Function Controller Board ESDI Four-Function Controller Board (D1677A) IDE Multifunction Controller Board | 45945-60013 1150-1802 D2384-63031 | 45945-69023 1150-1803 D2384-69021 |
| 24 | Processor/Memory Boards (slot 8): Vectra QS/16S Processor/Memory Board Vectra QS/20 Processor/Memory Board | D1470-63031 D1430-63011 | D1470-69031 D1430-69001 |
| 25 | Memory Board (processor/memory board): QS/16, QS/20 Memory Extension Board (D1440A) Processors: (socketed) 386 20 MHz (Vectra QS/20 only) Math Coprocessors: 387 16-33 MHz (Vectra QS/20) 387SL (Vectra QS/16S) Main Memory Modules: (available for QS/20 only) 256 KB Main Memory Module (QS/20) 1 MB Main Memory Module (QS/20) BIOS ROM Kits: Vectra QS/16S ROM Kit (BIOS F.02.08) Vectra QS/20 ROM Kit (BIOS D.02.07) Nameplates: HP Vectra QS/16S Logo HP Vectra QS/20 Logo | D1440-63001 1820-6054 1820-6295 D2408-83001 1818-4268 5062-2674 D1470-83007 D1430-83006 D1470-80010 D1430-80010 | |

Parts List for HP Vectra QS/16, QS/20, and QS/16S PCs

| <u>Item</u> | <u>Description</u> | <u>Replacement Part Number</u> |
|-------------|---|------------------------------------|
| 26 | Chassis Stiffener: | D1410-00003 |
| 27 | Chassis Assembly and Base (includes Bumper Foot, Speaker, I/O Panel and Light Pipe) | 5062-2650 |
| 28 | Cable Clamp | 1400-1365 |
| | Screws | Refer to Vectra 386/25 Parts List |
| | RFI Clips | Refer to Vectra 386/25 Parts List |
| | Power Connector Adapter Cable | 5062-5550 |

Support Manuals for HP Vectra QS/16, QS/20, and QS/16S PCs

| | |
|---|-------------|
| Service Manual | D1410-90001 |
| Technical Reference Manual: Hardware and BIOS | D1410-90002 |

Part Numbers for HP Utility Diskettes

| <u>Description</u> | <u>Rev</u> | <u>Date Code</u> | <u>Part #</u> | <u>Info.</u> |
|---|------------|----------------------|------------------------------------|--------------------------|
| Vectra QS Setup & Utilities Disks: | | | | |
| 3.5-inch disk | C.01.03 | 3139 | Available on HP PC Internal BBS | Setup version B.06.01 |
| 5.25-inch disk | | | | |

3 HP VECTRA 386/25 PC

MODELS AND ACCESSORIES

| <u>Product Number</u> | <u>Flexible Drive A:</u> | <u>Hard Drive C:</u> | <u>Disk Controller</u> | <u>Video Controller</u> | <u>Std. RAM</u> |
|--|--------------------------|----------------------|--------------------------------|-----------------------------|-----------------|
| Vectra 386/25 PC | | | | | |
| HP Vectra 386/25 PC (CPL: 06/90; discontinued: 03/93) | | | | | |
| D2360A | 1.2 MB (45812A) | None | IDE M-F Board (D2384-63031) | None | 2 MB |
| D2361A | 1.44 MB (D1667A) | 84 MB (D1666A) | | Super VGA Board (D2382A) | |
| D2362A | | 168 MB (D1680A) | | | |
| D2363A | 1.2 MB (45812A) | 84 MB (D1666A) | | | |
| D2364A | | 168 MB (D1680A) | | | |
| D2371A | 1.44 MB (D1667A) | None | | None | |

SUPPORTED ACCESSORIES

| | |
|---|--------|
| 2-MB Main Memory Upgrade (1x2-MB modules) kit | D2381A |
| 8-MB Main Memory Upgrade (1x8-MB modules) kit | D2152A |
| Intel 80387-25 Math Coprocessor | D2070A |
| Security Lock | 45986A |
| Setup Kit (<i>Setting Up</i> manual and diskettes) | D2380A |

Input Devices

| | |
|-------------------------|--------|
| Mouse (PS/2, Microsoft) | C1413A |
| Keyboard | C1405A |

Video Displays

| | |
|---|----------|
| Monochrome Display | D1192A/B |
| VGA Color Display 14-inch | D1182A/B |
| Ultra VGA Color Display 17-inch | D1193A |
| Super VGA Color Display 14-inch | D1194A |
| Ergo Super VGA Color Display 15-inch | D1195A |
| Ergo Ultra VGA Color Display 15-inch | D1196A |
| Color VGA Display | D1197A |
| Ultra VGA 1600 Display | D1199A |
| Monochrome VGA 14-inch Display | D2801A/B |
| Entry-Level SVGA 14-inch Display | D2802A |
| Super VGA 1024i 14-inch Display | D2804A |
| Ergo 1024 14-inch Display | D2805A |
| Ergo Ultra VGA 15-inch Display | D2806A |
| Ultra VGA 1280 17-inch Display | D2807A |
| Super VGA 14-inch Display (Low Emissions) | D2814A |

Video Boards

| | |
|---|--------|
| HP Intelligent Controller 20 | A1083A |
| HP Intelligent Controller 10 | A1086A |
| HP Intelligent Controller 10 Memory Board | A1087A |
| HP Super VGA Board | D2382A |

Multifunction Controller Boards

| | |
|---------------------------------------|-------------|
| HP IDE Multifunction Controller Board | D2384-60021 |
|---------------------------------------|-------------|

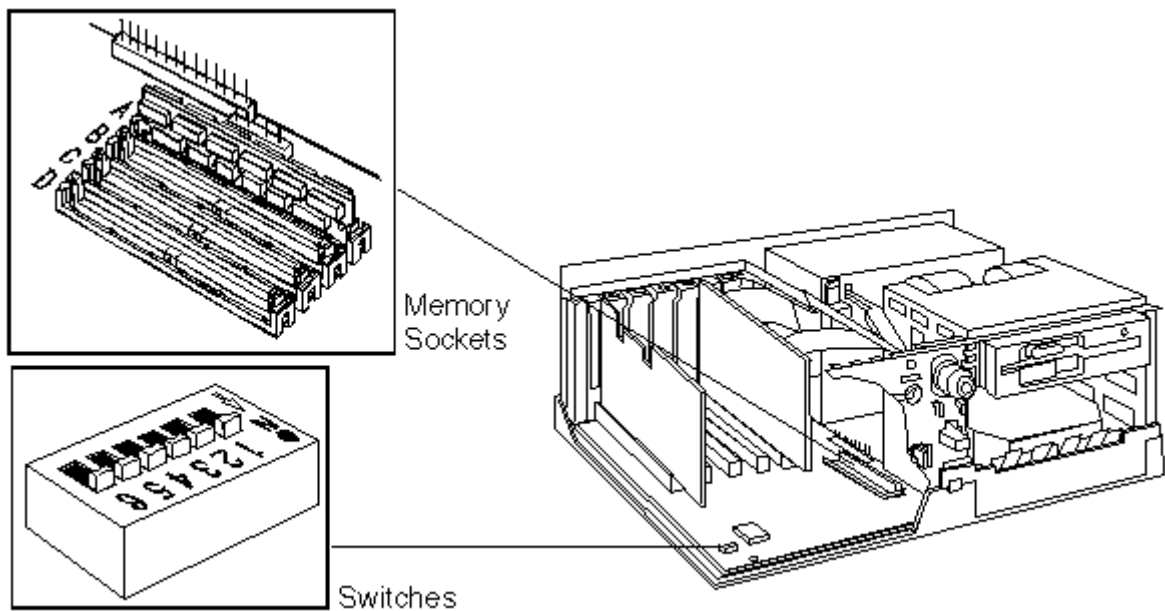
Mass Storage

| | |
|----------------------------------|--------|
| Flexible Disk 360 KB 5-1/4 inch | 45811A |
| Flexible Disk 1.2 MB 5-1/4 inch | 45812A |
| Flexible Disk 1.44 MB 3-1/2 inch | D1667A |
| IDE 42 MB Hard Disk | D1665A |
| IDE 84 MB Hard Disk | D1666A |
| IDE 120 MB Hard Disk | D1679A |
| IDE 168 MB Hard Disk | D1680A |

Datacomm and LAN Boards

| | |
|----------------------------|--------|
| Serial Parallel Board | 24540B |
| Dual Serial Board | 24541B |
| Modem 1200 baud | 24550A |
| Modem 2400 baud | 24551A |
| Ethertwist PC Link Adapter | 27245A |
| Ethertwist Adapter/16 | 27247A |
| Ethertwist Adapter/16 | 27247B |
| HP ThinLAN Board | 27250A |
| Terminal Multiplexor | D2040A |

SYSTEM BOARD, BIOS, AND MEMORY



HP Vectra 386/25 PC System Board Switches

| <u>Switch</u> | <u>Function</u> | <u>Default</u> |
|---------------|--|----------------|
| 1 | ON Power-on password — enabled | ON |
| | OFF Power-on password — disabled | |
| 2 | ON Option ROMs — enabled | ON |
| | OFF Option ROMs — disabled | |
| 3 | ON Cache memory — enabled | ON |
| | OFF Cache memory — disabled | |
| 4 | ON I/O channel speed — synchronous 8.3 MHz | ON |
| | OFF I/O channel speed — asynchronous 8 MHz | |
| 5 | ON Mouse interrupt IRQ 12 — enabled | ON |
| | OFF Mouse interrupt IRQ 12 — disabled (disable mouse if an accessory board uses IRQ 12) | |
| 6 | ON <i>Reserved</i> (leave at factory default setting) | ON |

SETUP AND BIOS HISTORY

Setup version "C.xx.xx" is used on Vectra 386/25 PCs.

| <u>BIOS Ver.</u> | <u>Date</u> | <u>Description</u> | <u>Kit Part No.</u> | <u>Min Setup</u> |
|----------------------------|-------------|--|---------------------|--------------------|
| Vectra 386/25 PC | | | | |
| HP Vectra 386/25 PC | | | | |
| J.03.00 | May 90 | First release | | |
| J.03.01 | Sep 90 | Provides fixes for problems with: Banyan Vines Chip-set temperature | - | Any "C" version |
| J.03.02 | Mar 91 | Support for diskless config. Fix >16 MB Config error | - | C.02.00 |
| J.03.03 | Feb 92 | Support for dual VGA board boot, 1024 cylinder drives, and improved POST error codes | D2360-83005 | |

MAIN MEMORY

The Vectra 386/25 PC system board has four main memory sockets labeled A, B, C, and D.

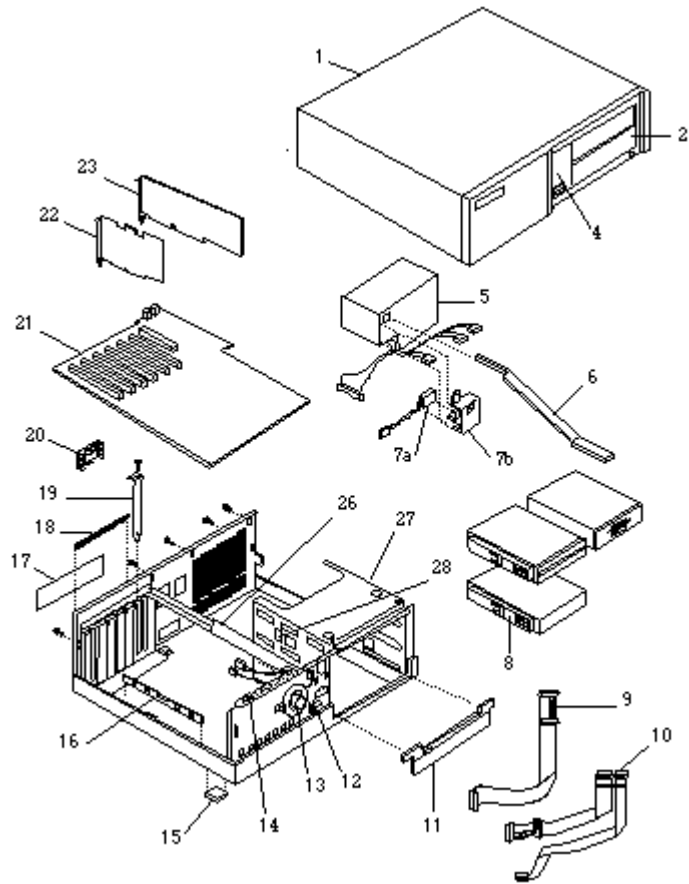
Main Memory Configuration

| For a TOTAL mem of: | Install Main Memory Modules in These Sockets: | | | | Using this Upgrade Kit(s): |
|---------------------------|--|------|------|------|----------------------------------|
| | A | B | C | D | |
| 2 MB | 2 MB | | | | Standard |
| 4 MB | 2 MB | 2 MB | | | One 2 MB kit |
| 6 MB | 2 MB | 2 MB | 2 MB | | Two 2 MB kits |
| 8 MB | 2 MB | 2 MB | 2 MB | 2 MB | Three 2 MB kits |
| or | | | | | |
| 8 MB | 8 MB | | | | One 8 MB kit* |
| 10 MB | 8 MB | 2 MB | | | One 8 MB kit** |
| 12 MB | 8 MB | 2 MB | 2 MB | | One 8 MB kit and one 2 MB kit** |
| 14 MB | 8 MB | 2 MB | 2 MB | 2 MB | One 8 MB kit and two 2 MB kits** |
| 16 MB | 8 MB | 8 MB | | | Two 8 MB kits* |
| 18 MB | 8 MB | 8 MB | 2 MB | | Two 8 MB kits** |
| 20 MB | 8 MB | 8 MB | 2 MB | 2 MB | Two 8 MB kits and one 2 MB kit** |
| 24 MB | 8 MB | 8 MB | 8 MB | | Three 8 MB kits* |
| 26 MB | 8 MB | 8 MB | 8 MB | 2 MB | Three 8 MB kits** |
| 32 MB | 8 MB | 8 MB | 8 MB | 8 MB | Four 8 MB kits* |

*Remove the original 2 MB memory module in socket A.

**Move the original 2 MB memory module in socket A to another socket.

PART NUMBERS



Parts List for HP Vectra 386/25 PC

| <u>Item</u> | <u>Description</u> | <u>Replacement Part Number</u> | <u>Exchange Part Number</u> |
|-------------|---|----------------------------------|-----------------------------|
| 1 | Top Cover-Bezel Assembly* | 5062-2654 | — |
| 2 | Disk Drive Cover Plate | 5041-2532 | — |
| 4 | Front Bezel Insert | 5041-2531 | — |
| | Keylock Front Bezel Insert | 5041-2533 | — |
| 5 | Power Supply | 0950-2190 | — |
| 6 | Power Switch Shaft | 5041-1057 | — |
| 7a | Battery | 45935-60201 | — |
| 7b | Battery Bracket | 45945-40006 | — |
| 8 | 5.25-inch Disk Mounting Tray | D1445-60001 | — |
| | 3.5-inch Disk Mounting Tray | D1665-60003 | — |
| 9 | Flexible Disk Drive Cable, 3.5 & 5.25-inch disk | 5181-5623 | — |
| 10 | Hard Disk Cable: | | — |
| | Dual Hard Disk Cable (for ESDI/ST-506 drive) | 5181-5646 | — |
| | Hard Disk Cable (for 2nd ESDI/ST-506 drive) | 5061-8981 | — |
| | Hard Disk Cable (for IDE drive) | 5181-5670 | — |
| 11 | Drive Door | 45945-40004 | — |
| 12 | LED Assembly | D1173-60002 | — |
| | LED Holder | 1400-1461 | — |
| 13 | Speaker Assembly | 02620-60016 | — |
| 14 | Board Guide | 45945-40005 | — |
| 15 | Bumper Foot | 45935-40011 | — |
| 16 | Side Panel Clip | 45945-00011 | — |
| 17 | Serial Label | 5181-4805 | — |
| 18 | Rear panel RFI clip | 5181-0596 | — |
| 19 | I/O Panel, Blank | 45935-00004 | — |
| 20 | Rear Panel Adapter (Vectra 286/12 — included with system board) | 5001-4220 | — |
| 21 | System Board | See PC's System Board Parts list | |
| 22 | Video Board (slot 1): | | |
| | HP Super VGA Board (D2382A) | D2384-63031 | D2384-69021 |
| 23 | Disk Controller Board (slot 6): | | |
| | IDE Multifunction Controller Board | D2384-63031 | D2384-69021 |
| 27 | Chassis Assembly and Base (includes Bumper Foot, Speaker, I/O Panel and Light Pipe) | 5062-2650 | — |
| 28 | Cable Clamp | 1400-1365 | — |
| | Screws: | | — |
| | Screw, Tapping | 0624-0704 | — |
| | Screw | 0624-0719 | — |
| | Screw, Plastite 8-16 | 2680-0310 | — |
| | Screw, TORX/Flat 6-32, or | 2680-0311 | — |

| <u>Item</u> | <u>Description</u> | <u>Replacement Part Number</u> | <u>Exchange Part Number</u> |
|-------------|----------------------------------|--------------------------------|-----------------------------|
| | RFI Clips: | | — |
| | Power Supply Clip | 5001-4213 | — |
| | Flexible Disk Drive Clip | 5001-4214 | — |
| | Front Bezel Clip | 5001-4215 | — |
| | I/O Clip | 5001-4216 | — |
| | Hard Disk Drive Clip | 5001-4217 | — |
| | Keyboard Ground Clip | 5001-4218 | — |
| | Power Connector Adapter Cable | 5062-5550 | — |
| | Nameplate: HP Vectra 386/25 Logo | 5041-6366 | — |

*Includes the front bezel and computer cover.

System Board Parts List for HP Vectra 386/25 PC

| <u>Description</u> | <u>Replacement Part Number</u> | <u>Exchange Part Number</u> |
|-------------------------------------|--------------------------------|-----------------------------|
| System Board: | | |
| Vectra 386/25 System Board | D2360-63018 | D2360-69020 |
| IDE Multifunction Controller Board | D2384-63031 | D2384-69021 |
| Processor: 386 25 MHz | 1820-6294 | |
| Math Coprocessor: 387 25 MHz | 1820-6295 | |
| Main Memory Modules: | | |
| 2-MB Main Memory Module | D2381-63001 | |
| 8-MB Main Memory Module (36-bit) | 1818-4702 | D2152-69001 |
| BIOS ROM Kit | D2360-83005 | |
| 8042 Keyboard Controller | 1821-0066 | |

Support Manuals for HP Vectra 386/25 PC

| | |
|---|------------------|
| Familiarization Guide | D2360A+49A-90001 |
| Service Manual | D2360-90001 |
| Technical Reference Manual: Hardware and BIOS | D2360-90002 |

Part Numbers for HP Utility Diskettes

| <u>Description</u> | <u>Rev</u> | <u>Date Code</u> | <u>Part #</u> | <u>Info.</u> |
|---|------------|------------------|---------------------------------|-----------------------|
| Vectra 386/25 Setup & Utilities Disks: | | | | |
| 3.5-inch disk | A.02.01 | 3138 | Available on HP PC Internal BBS | Setup version C.02.00 |
| 5.25-inch disk | | | | |

4 HP VECTRA 386N (D24XXX) PC SERIES

MODELS AND ACCESSORIES

| <u>Product Number</u> | <u>Flexible Drive A:</u> | <u>Hard Drive C:</u> | <u>Disk Controller</u> | <u>Video Controller</u> | <u>Std. RAM</u> |
|---|--------------------------|----------------------|-----------------------------|-------------------------------------|-----------------|
| Vectra 386/16, 386/20N and 386/25N PC Series | | | | | |
| HP Vectra 386/16N PC (CPL: 10/91; discontinued: 12/92) | | | | | |
| D2470A | None | None | Integrated | Integrated | 2 MB |
| D2471A LAN | | | IDE Interface | Super VGA (256 KB) | |
| D2472A | 1.44 MB (D2035A) | 52 MB (D1694A) | | | |
| D2473A LAN | | | | | |
| D2474A | | None | | | |
| <i>From June 92, the following 386/16N products had new model numbers</i> | | | | | |
| D2471B LAN* | None | None | Integrated IDE Interface | Integrated Super VGA (256 KB) | 2 MB |
| D2473B LAN | 1.44 MB (D2035A) | 52 MB (D1694A) | | | |
| HP Vectra 386/20N PC (CPL: 10/91; discontinued: 02/93) | | | | | |
| D2480A | None | None | Integrated | Integrated | 2 MB |
| D2481A LAN | | | IDE Interface | Super VGA (256 KB) | |
| D2482A | 1.44MB (D2035A) | 52 MB (D1694A) | | | |
| D2483A LAN | | | | | |
| D2484A | | 120 MB (D1696A) | | | |
| D2486A | | None | | | |

*Models D2471B, D2473B, D2481B, and D2483B include an Ethernet LAN board (HP 27245A) and Vectra boot ROM (which supports Novell Netware and LAN Manager 2.1). Models D2471B and D2473B are not available in the U.S.

| Product Number | Flexible Drive A: | Hard Drive C: | Disk Controller | Video Controller | Std. RAM |
|---|--------------------------|----------------------|--------------------------|-------------------------------|-----------------|
| <i>From June 92, the following 386/20N products had new model numbers</i> | | | | | |
| D2481B LAN* | None | None | Integrated IDE Interface | Integrated Super VGA (256 KB) | 2 MB |
| D2483B LAN* | 1.44 MB (D2035A) | 52 MB (D1694A) | | | |
| HP Vectra 386/25N PC (CPL: 06/92; discontinued: 03/93) | | | | | |
| D2490A LAN** | None | None | Integrated IDE Interface | Integrated Super VGA (256 KB) | 4 MB |
| D2492A | 1.44 MB (D2035A) | 85 MB (D2329A) | | | |
| D2493A LAN** | | | | | |
| D2494A | | 170 MB (D2330A) | | | |
| D2495A | | None | | | 2 MB |
| D2496A | | | | | 4 MB |
| D2497A LAN*** | | 85 MB (D2329A) | | | |
| D2498A | | 40 MB (D2328-60003) | | | 2 MB |

*Models D2471B, D2473B, D2481B, and D2483B include an Ethernet LAN board (HP 27245A) and Vectra boot ROM (which supports Novell Netware and LAN Manager 2.1). Models D2471B and D2473B are not available in the U.S.

**Models D2491A (not available in the U.S.) and D2493A include an Ethernet LAN board (HP 27247B).

***Model D2497A includes a Token-Ring LAN Adapter board (HP D2378A).

SUPPORTED ACCESSORIES

| | |
|--|--------|
| 2 MB Main Memory Upgrade (2x1-MB modules) kit | D2406A |
| 8 MB Main Memory Upgrade (2x4-MB modules) kit | D2404A |
| 387SX-16 Math Coprocessor-Vectra 386/16N | D1453A |
| 387SX-20 Math Coprocessor-Vectra 386/20N | D2403A |
| 387SL Math Coprocessor-Vectra 386N | D2408A |
| Vectra LAN Boot ROM (pack of 6) | D2407B |
| <i>Setting Up and Using Your HP 386/N-Series PC Manual</i> | D2405B |

System Board upgrades

| | |
|---|--------|
| 386N PC Series Upgrade to 486/25N (D26xxA) PC | D2619A |
| 386N PC Series Upgrade to 486/33N (D26xxA) PC | D2629A |
| 386N PC Series Upgrade to 486/50N (D26xxA) PC | D2609A |
| 386N PC Series Upgrade to 486/66N (D26xxA) PC | D2689A |

Video Displays

| | |
|---|----------|
| Monochrome Display | D1192A/B |
| Ultra VGA Color Display 17-inch | D1193A |
| Super VGA Color Display 14-inch | D1194A |
| Ergo Super VGA Color Display 15-inch | D1195A |
| Ergo Ultra VGA Color Display 15-inch | D1196A |
| Color VGA Display | D1197A |
| Ultra VGA 1600 Display | D1199A |
| Monochrome VGA 14-inch Display | D2801A/B |
| Entry-Level SVGA 14-inch Display | D2802A |
| Super VGA 1024i 14-inch Display | D2804A |
| Ergo 1024 14-inch Display | D2805A |
| Ergo Ultra VGA 15-inch Display | D2806A |
| Ultra VGA 1280 17-inch Display | D2807A |
| Super VGA 14-inch Display (Low Emissions) | D2814A |

Mass Storage

| | |
|--|--------|
| Flexible Disk 1.44 MB 3-1/2 inch | D2035A |
| IDE 52 MB Hard Disk | D1694A |
| IDE 120 MB Hard Disk | D1696A |
| IDE 240 MB Hard Disk | D1697A |
| IDE 85 MB Hard Disk | D2329A |
| IDE 170 MB Hard Disk | D2330A |
| 3.5-inch, h-h, Tray (5 pack) for non-HP Hard Disk Drives | D2037A |

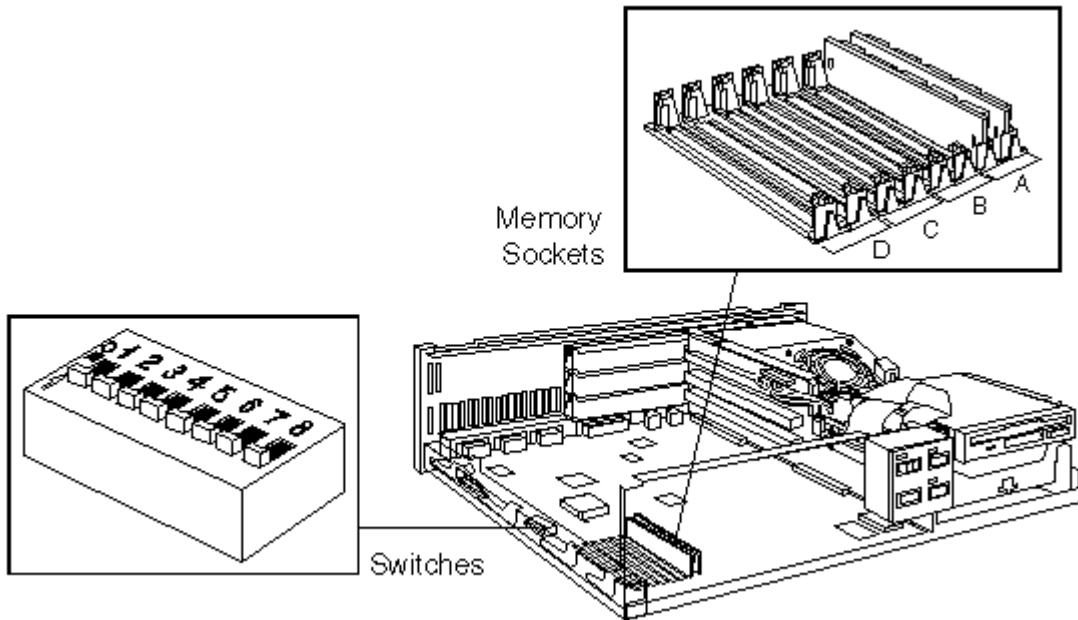
Datacomm and LAN Boards

| | |
|----------------------------|--------|
| Serial Parallel Board | 24540B |
| Dual Serial Board | 24541B |
| Modem 1200 baud | 24550A |
| Modem 2400 baud | 24551A |
| Ethertwist PC Link Adapter | 27245A |
| Ethertwist Adapter/16 | 27247A |
| Ethertwist Adapter/16 | 27247B |
| HP ThinLAN Board | 27250A |
| Token-Ring Adapter | D2378A |

Input Devices

| | |
|------------------------------------|--------|
| Mouse (PS/2, Microsoft) | C1413A |
| Keyboard | C1405B |
| Keyboard - new style (recommended) | C3756A |

SYSTEM BOARD, BIOS, AND MEMORY



System Board Switches

| Switch | | Function | Default |
|--------|-----|---|---------|
| 1 | OFF | Mouse interrupt IRQ 12 — enabled | OFF |
| | ON | Mouse interrupt IRQ 12 — disabled (disable mouse if an accessory board uses IRQ 12) | |
| 2 | OFF | Video interrupt IRQ 9 — disabled | OFF |
| | ON | Video interrupt IRQ 9 — enabled | |
| 3 | OFF | Built-in VGA controller — enabled | OFF |
| | ON | Built-in VGA Controller — disabled (disable built-in video if another video board is used) | |
| 4 | OFF | Passwords — enabled | OFF |
| | ON | Passwords — disabled (erased) | |
| 5 | OFF | EEPROM stored config information — valid | OFF |
| | ON | EEPROM stored config information — erased | |
| 6 | OFF | Security mode — disabled | OFF |
| | ON | Security mode — forced (configuration cannot be changed using Setup) | |
| 7 & 8 | OFF | Reserved (leave at factory default setting) | OFF |

SETUP AND BIOS HISTORY

Setup version "D.xx.xx" is used on Vectra 386N PCs.

| <u>BIOS Ver.</u> | <u>Date</u> | <u>Description</u> | <u>Kit Part No.</u> | <u>Min Setup</u> |
|--|-------------|---|---------------------|------------------|
| Vectra 386N (D24xxx) PC Series | | | | |
| HP Vectra 386N (D24xxx) PC Series | | | | |
| L.03.04 | Sep 91 | First release (for 386/16N and 20N). | - | D.01.00 |
| L.03.05 | Sep 91 | Fixes third-party drive read/write problems (for 386/16N and 20N.) | - | |
| L.03.06 | Jan 92 | Fixes LED status and Administration Password problems. Adds support for 1024 cylinder drives (for 386/16N and 20N.) | | |
| L.03.07 | June 92 | Adds support for 386/25N and SCSI BIOS shadowing, and fixes Mitsubishi memory module errors. | 5062-2696* | D.02.00 |
| L.03.08 | Oct 92 | Fixes Bad memory config. errors code 20CA on 386/25N | - | |
| L.03.09 | Nov 92 | Fixes parallel port errors on 386/25N | 5063-0842 | |

*For boot ROM part numbers and revision history, refer to table below.

LAN Boot ROM Revisions-Part Numbers

| <u>Description</u> | <u>Rev</u> | <u>Date</u> | <u>Part #</u> | <u>Info.</u> |
|--|------------|-------------|---------------|---|
| First release. Supports Novell Netware on Ethernet | A.01.00 | Sept 92 | 5062-2673 | For Vectra 386/16N, 386/20N and 386s/20 |
| Adds LAN Manager | A.02.00 | Apr 92 | 5063-2697 | For Vectra 386N (D24xxx) PC Series and 386s/20 |
| Adds Novell Netware, LAN Manager, IBM PC Server, and IBM Server for Token-Ring | A.03.00 | Aug 92 | 5063-0828 | For Vectra 386N (D24xxx) PC Series and 386s PC Series |

MAIN MEMORY

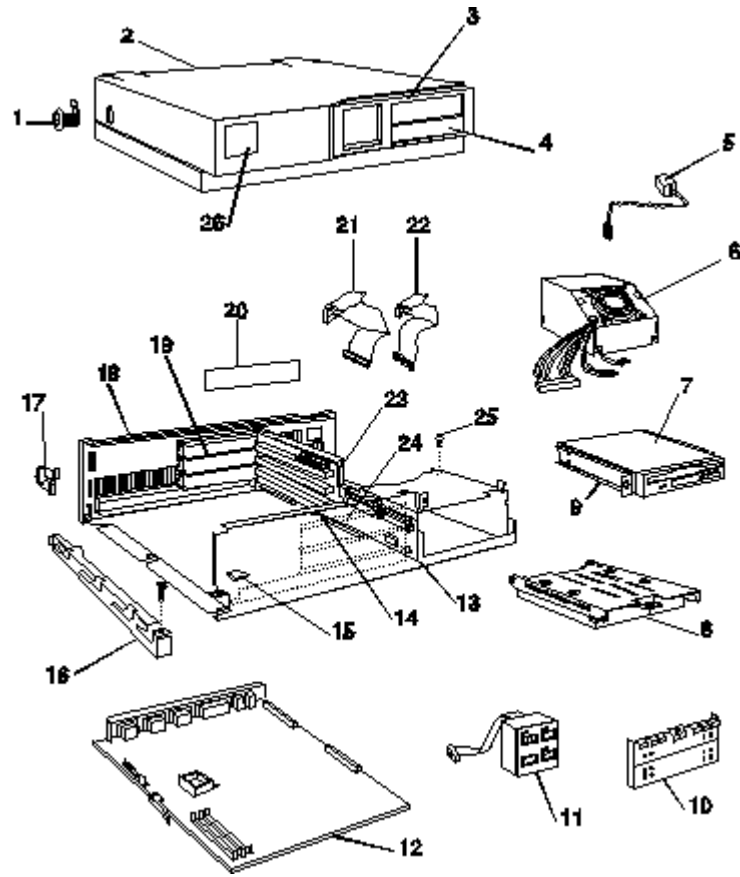
The PC has eight sockets for main memory modules. Each pair of sockets (labeled A, B, C, and D) forms a bank.

Main Memory Configuration

| For a TOTAL memory of: | Install Main Memory Modules in These Banks (each bank has two sockets): | | | | Using This Kit(s) | | |
|---------------------------|--|--------|--------|--------|-----------------------------------|---------|----------------------------------|
| | A | B | C | D | 386/16N | 386/20N | 386/25N |
| 2 MB | 2x1 MB | | | | Standard | | - |
| 4 MB | 2x1 MB | 2x1 MB | | | One 2 MB kit | | Standard |
| 6 MB | 2x1 MB | 2x1 MB | 2x1 MB | | Two 2 MB kits | | One 2 MB Kit |
| 8 MB | 2x1 MB | 2x1 MB | 2x1 MB | 2x1 MB | Three 2 MB kits | | Two 2 MB kits |
| 10 MB | 2x1 MB | 2x4 MB | | | One 8 MB kit | | - |
| 12 MB | 2x1 MB | 2x1 MB | 2x4 MB | | One 2 MB kit and one 8 MB kit | | One 8 MB kit |
| 14 MB | 2x1 MB | 2x1 MB | 2x1 MB | 2x4 MB | Two 2 MB kits and one 8 MB kit | | One 2 MB kit and one 8 MB kit |
| 16 MB* | 2x4 MB | 2x4 MB | | | Two 8 MB kits | | Two 8 MB kits |

*Remove the original 1 MB memory modules in banks A and B.

PART NUMBERS



Parts List for HP Vectra 386/16N, 386/20N, and 386/25N PC Series

| <u>Item</u> | <u>Description</u> | <u>Replacement Part Number</u> | <u>Exchange Part Number</u> |
|-------------|--|------------------------------------|---------------------------------|
| 1 | Cover Lock Assembly | 5062-5590 | — |
| 2 | Top Cover-Bezel Assembly (includes items 1, 3, & 4) | 5062-2682 | — |
| 3 | Bezel Insert | 5041-1062 | — |
| 4 | Filler Panel | 5041-2554 | — |
| 5 | Battery | 1420-0513 | — |
| 6 | Power Supply Assembly | 5063-0844 | — |
| 7 | Flexible Disk Drive (3.5-inch) | D2035-63004 | — |
| | Mounting Rails for 3.5-inch non-HP Disk Drives | 5063-0309 | — |
| 8 | Hard Disk Drive (standard)* | | |
| | 42 MB (D2328-6000x) | D1694-60003 | D1694-69001 |
| | 52 MB | D1694-60003 | D1694-69001 |
| | 85 MB | D2329-60003 | D2329-69001 |
| | 120 MB | D1696-60007 | D1696-69003 |
| | 170 MB | D2330-60003 | D2330-69001 |
| 9 | Mounting Rails for 3.5-inch non-HP Disk Drives | 5063-0309 | |
| 10 | Hard Drive RFI Assembly | 5062-2694 | — |
| 11 | Status (Control) Panel | 5063-0815 | — |
| 12 | System Board | See PC's system board parts list | |
| 13 | Chassis Assembly (Rear Bezel, Bumper Foot, Serial Label, Board Guide, CPU Guide, and Security Bracket) | 5062-2681 | — |
| 14 | System Board Guide | 5041-1063 | — |
| 15 | Bumper Foot | 5181-0394 | — |
| 16 | Side Panel | 5001-4238 | — |
| 17 | Security Bracket | 5001-6869 | — |
| 18 | Rear Bezel | 5062-2680 | — |
| 19 | I/O Panel, Blank | 45935-00004 | — |
| 20 | Serial Label | 5181-0395 | — |
| 21 | Short Flexible Disk Drive Cable, 3.5-inch disk | 5181-9742 | — |
| 22 | Short Hard Disk Cable (IDE drive) | 5181-0385 | — |
| 23 | Backplane Assembly | 5063-0814 | — |
| 24 | Board Guide Assembly | 5041-1070 | — |
| 25 | Screw, TORX/Flat, 6-32 or | 2680-0311 | — |
| | Screw, Machine 6-32 Pilot Point | 2360-0514 | — |
| | Nameplate: | | |
| | HP Vectra 386/16N Logo | 5041-1060 | |
| | HP Vectra 386/20N Logo | 5041-1072 | |
| | HP Vectra 386/25N Logo | 5041-2562 | |

System Board Parts List for HP Vectra 386/16N, 386/20N, and 386/25N PC Series

| <u>Description</u> | <u>Replacement Part Number</u> | <u>Exchange Part Number</u> |
|---|--------------------------------|-----------------------------|
| System Board (includes integrated IDE disk and Super VGA controllers): | | |
| Vectra 386/16N System Board | D2470-63002 | D2470-69001 |
| Vectra 386/20N System Board | D2480-63002 | D2480-69001 |
| Vectra 386/25N System Board | D2490-63002 | D2490-69001 |
| Processor: 386SX | Processor not removable | |
| 386SL Math Coprocessor: | | |
| (Vectra 386/16N, 286/20N, 386/25N PCs) | D2408-83001 | |
| Main Memory Modules: | | |
| 1 MB Main Memory Module | 5062-2670 | |
| 4 MB Main Memory Module | 5062-2671 | |
| BIOS ROM Kit | 5063-0842 | |
| LAN Boot ROM Kit | 5063-0828 | |

Support Manuals for HP Vectra 386/16N, 386/20N, 386/25N PC Series

| | |
|--|------------------|
| Familiarization Guide (Dealer version: D248xA+49A-61) | D248xA+49B-90001 |
| Technical Reference Manual: Hardware and BIOS | 5959-7793 |

Part Numbers for HP Utility Diskettes - (3.5-inch disks only)

| <u>Description</u> | <u>Rev</u> | <u>Date Code</u> | <u>Part #</u> | <u>Info.</u> |
|---------------------|------------|------------------|-------------------------------|--------------|
| Setup Disk | B.00.00 | 3211 | Available via HP PC | |
| Super VGA Disk | D.00.00 | 3238 | Internal BBS (bulletin board) | |
| EtherTwist LAN Disk | E.00.00 | 3226 | | |

5 HP VECTRA 386/33N & NI (D27XXA) PC SERIES

MODELS AND ACCESSORIES

| <u>Product Number</u> | <u>Flexible Drive A:</u> | <u>Hard Drive C:</u> | <u>Disk Controller</u> | <u>Video Controller</u> | <u>Std. RAM</u> | <u>LAN Interface</u> |
|---|--------------------------|----------------------|------------------------|-------------------------------|-----------------|----------------------|
| Vectra 386/33N NI (D27xxA) PC Series | | | | | | |
| HP Vectra 386/33N (D27xxA) PC (CPL: 02/93; discontinued:11/94) | | | | | | |
| D2701A | 1.44 MB | None | Integrated | Integrated | 2 MB | None |
| D2702A | (D2035A) | 85 MB | IDE | Ultra VGA+ | 4 MB | |
| D2707A* | | (D2329A) | controller | (512 KB, upgradeable to 1 MB) | 2 MB | |
| HP Vectra 386/33NI (D27xxA) PC (CPL: 02/93; discontinued: 11/94) | | | | | | |
| D2703A | 1.44 MB | None | Integrated | Integrated | 2 MB | Integrated |
| D2704A** | (D2035A) | 85 MB | IDE | Ultra VGA+ | 4 MB | Ethernet |
| D2712A*** | | (D2329A) | controller | (512 KB, upgradeable to 1 MB) | | |

*D2707A includes D1197A color VGA display

**D2704A includes MS-Windows for Workgroups software

***D2712A includes MS-Windows software

SUPPORTED ACCESSORIES

| | |
|--|--------|
| 512 KB Video Memory Upgrade kit | D2713A |
| 2 MB Main Memory Upgrade kit | D2714A |
| 8 MB Main Memory Upgrade kit | D2715A |
| <i>Setting Up Your PC</i> and <i>Using Your PC</i> manuals | D2711A |
| System Board upgrades | |
| Upgrade to 486N Kit | D2716A |
| Upgrade to 486NI Kit | D2718A |
| Coprocessor Upgrade | |
| Upgrade with Cyrix 387SL | Non-HP |

Video Displays

| | |
|---|----------|
| Monochrome Display | D1192A/B |
| Ultra VGA Color Display 17-inch | D1193A |
| Super VGA Color Display 14-inch | D1194A |
| Ergo Super VGA Color Display 15-inch | D1195A |
| Ergo Ultra VGA Color Display 15-inch | D1196A |
| Color VGA Display | D1197A |
| Ultra VGA 1600 Display | D1199A |
| Monochrome VGA 14-inch Display | D2801A/B |
| Entry-Level SVGA 14-inch Display | D2802A |
| Super VGA 1024i 14-inch Display | D2804A |
| Ergo 1024 14-inch Display | D2805A |
| Ergo Ultra VGA 15-inch Display | D2806A |
| Ultra VGA 1280 17-inch Display | D2807A |
| Super VGA 14-inch Display (Low Emissions) | D2814A |

Mass Storage

| | |
|--|--------|
| Flexible Disk 1.44 MB 3-1/2 inch | D2035A |
| IDE 120 MB Hard Disk | D1696A |
| IDE 240 MB Hard Disk | D1697A |
| IDE 85 MB Hard Disk | D2329A |
| IDE 170 MB Hard Disk | D2330A |
| SCSI 430 MB Hard Disk | D1699A |
| 3.5-inch, h-h, Tray (5 pack) for non-HP Hard Disk Drives | D2037A |

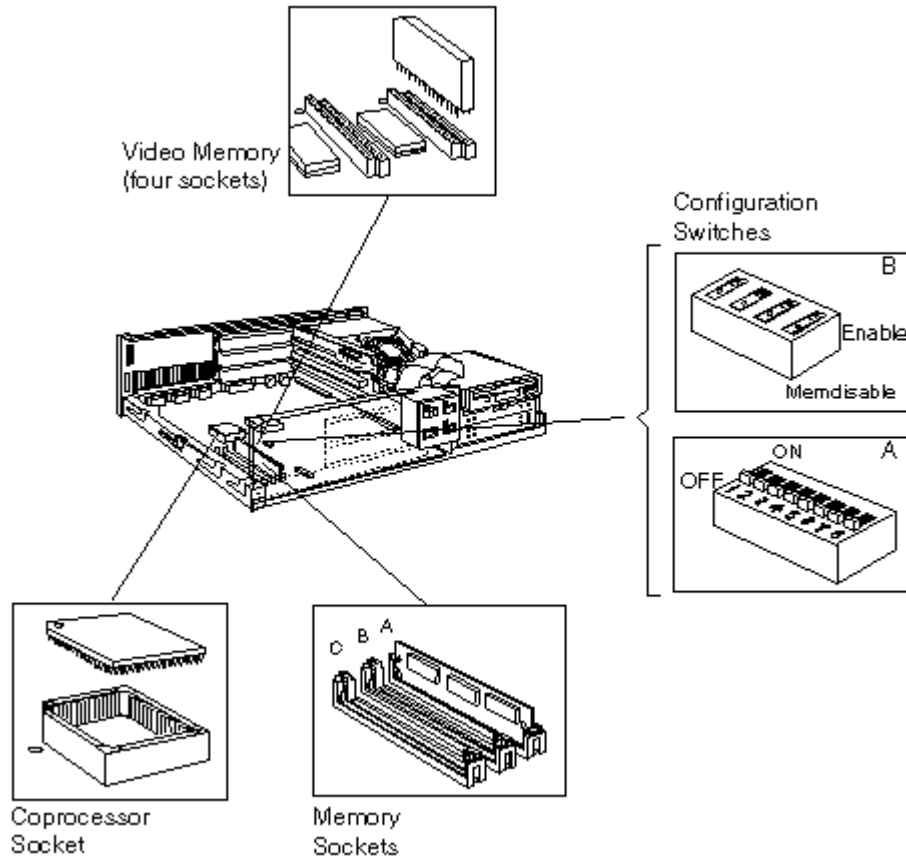
Datcomm and LAN Boards

| | |
|----------------------------|--------|
| Serial Parallel Board | 24540B |
| Dual Serial Board | 24541B |
| Ethertwist PC Link Adapter | 27245A |
| Ethertwist Adapter/16 | 27247A |
| Ethertwist Adapter/16 | 27247B |
| HP ThinLAN Board | 27250A |
| Token-Ring Adapter | D2378A |
| Coaxial LAN Adapter Board | D2746A |

Input Devices

| | |
|------------------------------------|--------|
| Mouse (PS/2, Microsoft) | C1413A |
| Keyboard | C1405B |
| Keyboard - new style (recommended) | C3756A |

SYSTEM BOARD, BIOS, AND MEMORY



System Board Switch Block SW-A

| Switch | Function | Default |
|--------|---|------------|
| 1 | OFF Mouse interrupt IRQ12 — enabled ON Mouse interrupt IRQ12 — disabled (disable mouse if an accessory board uses IRQ12) | OFF |
| 2 | OFF Video interrupt IRQ9 — disabled ON Video interrupt IRQ9 — enabled | OFF |
| 3 | OFF Integrated Ultra VGA controller — enabled ON Integrated Ultra VGA Controller — disabled (disable built-in video if another video board is used) | OFF |
| 4 | OFF Passwords — enabled ON Passwords — disabled (erased) | OFF |
| 5 | OFF EEPROM stored configuration information — valid ON EEPROM stored configuration information — erased | OFF |
| 6 | OFF Security mode — disabled ON Security mode — configuration cannot be changed using Setup | OFF |
| 7 | OFF Flash ROM updates — enabled ON Flash ROM updates — disabled | OFF |
| 8 | OFF Not used | OFF |

System Board Switch Block SW-B

| <u>Switch</u> | <u>Name</u> | <u>Function</u> | <u>Default</u> |
|---------------|----------------------|---|----------------|
| 1 2 3 4 | ENABLE MEMDISABLE | Enables and disables (MEMDISABLE) the soldered 2 MB of main memory Set <i>all four switches</i> to MEMDISABLE if you install 16 MB of main memory. | ENABLE |

SETUP AND BIOS HISTORY

Setup version "D.xx.xx" is used on Vectra 386/33N & NI PCs.

| <u>BIOS Ver.</u> | <u>Date</u> | <u>Description</u> | <u>Kit Part No.</u> | <u>Min Setup</u> |
|---|-------------|--------------------|------------------------------------|------------------|
| Vectra 386N & NI (D27xxA) PC Series | | | | |
| HP Vectra 386N & NI (D27xxA) PC Series | | | | |
| U.04.01 | Feb 93 | First release | — | — |
| U.04.02 | | Second release | Available on HP PC Internal BBS | N/A |

VIDEO MEMORY

The PC is supplied with 512 KB of video memory for a resolution of up to 1024 x 768 in 16 colors. An additional 512 KB of video memory can be installed in four video sockets (to make a total of 1 MB) for a resolution of up to 1024 x 768 in 256 colors. If additional video memory is added, all four sockets must be filled.

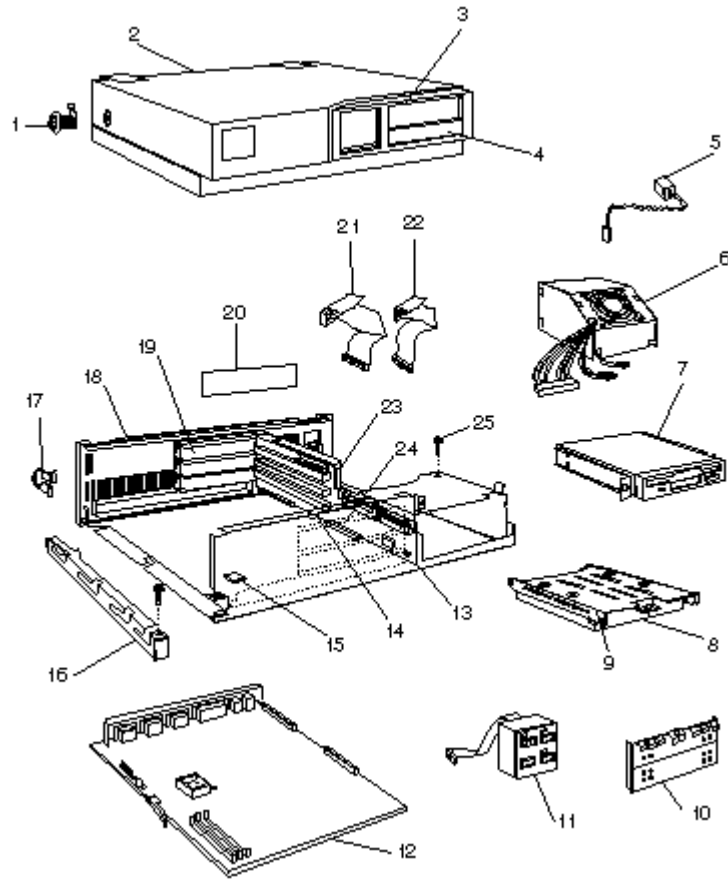
MAIN MEMORY

HP Vectra 386/33N & NI PCs have 2 MB of main memory soldered on the system board, and two banks of sockets on the system board labeled A and B. Each bank contains two sockets (numbered 0 and 1). Main memory modules can be installed, in pairs, up to a maximum of 16 MB.

The soldered 2 MB must be disabled if 16 MB of main memory is installed.

| <u>For a TOTAL memory of:</u> | <u>Install main memory modules in these banks:</u> | | | | <u>Set Switch Block SW-B to:</u> |
|-----------------------------------|--|------|----------|------|--------------------------------------|
| | <u>A</u> | | <u>B</u> | | |
| 2 MB | Soldered on the system board | | | | ENABLE |
| 4 MB | 1 MB | 1 MB | - | - | |
| 6 MB | 1 MB | 1 MB | 1 MB | 1 MB | |
| 10 MB | 4 MB | 4 MB | - | - | |
| 12 MB | 1 MB | 1 MB | 4 MB | 4 MB | |
| 16 MB | 4 MB | 4 MB | 4 MB | 4 MB | MEMDISABLE |

PART NUMBERS



Parts List for HP Vectra 386/33N & NI PC Series

| <u>Item</u> | <u>Description</u> | <u>Replacement Part Number</u> | <u>Exchange Part Number</u> |
|-------------|--|---|---------------------------------|
| 1 | Cover Lock Assembly | 5062-5590 | — |
| 2 | Top Cover-Bezel Assembly (includes items 1, 3, & 4) | 5062-2682 | — |
| 3 | Bezel Insert | 5041-1062 | — |
| 4 | Filler Panel | 5041-2554 | — |
| 5 | Battery | 1420-0513 | — |
| 6 | Power Supply Assembly | 5063-4538 | — |
| 7 | Flexible Disk Drive | See disk drive parts list in <i>Accessory Service Handbook</i> | |
| 8 | Standard Hard Disk Drive: 815 MB | D2329-60003 | D2329-69001 |
| 9 | Mounting Rails kit for 3.5-inch non-HP Disk Drives | 5063-0309 | — |
| 10 | Hard Drive RFI Assembly | 5062-2694 | — |
| 11 | Status (Control) Panel | 5063-0815 | — |
| 12 | System Board | See PC's system board parts list | |
| 13 | Chassis Assembly (Rear Bezel, Bumper Foot, Serial Label, Board Guide, CPU Guide, and Security Bracket) | 5062-2681 | — |
| 14 | System Board Guide | 5041-1063 | — |
| 15 | Bumper Foot | 5181-0394 | — |
| 16 | Side Panel | 5001-4238 | — |
| 17 | Security Bracket | 5001-6869 | — |
| 18 | Rear Bezel | 5062-2680 | — |
| 19 | I/O Panel, Blank | 45935-00004 | — |
| 20 | Serial Label | 5181-0395 | — |
| 21 | Short Flexible Disk Drive Cable, 3.5-inch disk | 5181-9742 | — |
| 22 | Short Hard Disk Cable (IDE drive) | 5181-0385 | — |
| 23 | Backplane Assembly | 5063-0814 | — |
| 24 | Board Guide Assembly | 5041-1070 | — |
| 25 | Screw, TORX/Flat, 6-32 | 2680-0311 | — |
| | Nameplate | | |
| | HP Vectra 386/33N Logo | 5181-9790 | |
| | HP Vectra 386/33NI Logo | 5181-9791 | |

System Board Parts List for HP Vectra 386/33N & NI PC Series

| <u>Description</u> | <u>Replacement Part Number</u> | <u>Exchange Part Number</u> |
|---|--------------------------------|-----------------------------|
| System Board (includes integrated IDE disk and Ultra VGA+ controllers, and integrated Ethernet on NI models: | | |
| Vectra 386/33N System Board | D2701-63001 | D2701-69001 |
| Vectra 386/33NI System Board | D2703-63001 | D2703-69001 |
| LAN Adapters: | | |
| Coaxial Adapter Board (D2746A) | D2746-63001 | |
| Processor: 386SX-33 | Processor not removable | |
| Math Coprocessor: 387SX-33 | Non-HP | |
| Main Memory Modules: | | |
| 1 MB Main Memory Module (60 ns) | D2714-83001 | |
| 4 MB Main Memory Module (60 ns) | D2715-83001 | |
| Video Memory Modules: | | |
| 512 KB Video Memory kit (D2713A) | D2713-83001 | |

Support Manuals for HP Vectra 386/33N & NI PC Series

| | |
|---|------------------|
| Familiarization Guide | D27xxA+49A-90001 |
| Technical Reference Manual: Hardware and BIOS | 5961-4523 |

Part Numbers for HP Utility Diskettes (3.5-inch disks only)

| <u>Description</u> | <u>Rev</u> | <u>Date Code</u> | <u>Part #</u> | <u>Info.</u> |
|--|------------|------------------|--------------------------|--------------|
| Windows & DOS Video Drivers | A.01.03 | 3338 | Refer to HP Internal BBS | Kit |
| OS/2 Video Drivers | A.01.00 | 3301 | | |
| Lan Drivers for HP Integrated Ethernet Interface | A.02.00 | 3395 | | |

6 HP VECTRA 386S PC SERIES

MODELS AND ACCESSORIES

| <u>Product Number</u> | <u>Flexible Drive A:</u> | <u>Hard Drive C:</u> | <u>Disk Controller</u> | <u>Video Controller</u> | <u>Std. RAM</u> |
|---|--------------------------|----------------------|-----------------------------|---|-----------------|
| Vectra 386s PCs | | | | | |
| HP Vectra 386s/20 PC (CPL: 02/92; discontinued: 12/92) | | | | | |
| D2512A | 1.44 MB (D2035A) | 52 MB (D1694A) | Integrated IDE Interface | Integrated Super VGA (256 KB, upgradeable to 512 KB) | 2 MB |
| D2513A | | 120 MB (D1696A) | | | |
| D2514A | 1.44 MB (D2035A) | None | | | |
| D2515A | 1.2 MB (D2036A) | | | | |
| HP Vectra 386s/25 PC (CPL: 06/92; discontinued: 04/93) | | | | | |
| D2570A | 1.2 MB (D2036A) | 85 MB (D2329A) | Integrated IDE Interface | Integrated Super VGA (256 KB, upgradeable to 512 KB) | 4 MB |
| D2571A | | 170 MB (D2330A) | | | |
| D2572A | 1.44 MB (D2035A) | 85 MB (D2329A) | | | 2 MB |
| D2574A | | None | | | |
| D2575A | 1.2 MB (D2036A) | | | | |
| D2578A | 1.44 MB (D2035A) | 85 MB (D2329A) | | | 4 MB |
| D2579A | | 170 MB (D2330A) | | | |

SUPPORTED ACCESSORIES

| | |
|---|--------|
| 256 KB Video Memory Upgrade kit (8x32 KB modules) | D2383B |
| 2 MB Main Memory Upgrade (2x1 MB modules) kit | D2406A |
| 8 MB Main Memory Upgrade (2x4 MB modules) kit | D2404A |
| 387SX-20 Math Coprocessor-Vectra 386s/20 only | D2403A |
| 387SL Math Coprocessor-Vectra 386s/20 & 386s/25 | D2408A |
| Vectra LAN Boot ROM (pack of 6) | D2407B |
| <i>Setting Up Your HP Vectra 386s</i> Manual | D2565B |
| System Board Upgrade Kits (see 486U PC Series) | |

Video Displays

| | |
|---|------------|
| Monochrome Display | D1181A/W/G |
| VGA Color Display | D1182A/B |
| Monochrome Display | D1192A/B |
| Ultra VGA Color Display 17-inch | D1193A |
| Super VGA Color Display 14-inch | D1194A |
| Ergo Super VGA Color Display 15-inch | D1195A |
| Ergo Ultra VGA Color Display 15-inch | D1196A |
| Color VGA Display | D1197A |
| Ultra VGA 1600 Display | D1199A |
| Monochrome VGA 14-inch Display | D2801A/B |
| Entry-Level SVGA 14-inch Display | D2802A |
| Super VGA 1024i 14-inch Display | D2804A |
| Ergo 1024 14-inch Display | D2805A |
| Ergo Ultra VGA 15-inch Display | D2806A |
| Ultra VGA 1280 17-inch Display | D2807A |
| Super VGA 14-inch Display (Low Emissions) | D2814A |

Multifunction Controller Boards

| | |
|----------------------------------|--------|
| HP ISA SCSI-2 Host Adapter Board | D1682A |
|----------------------------------|--------|

Mass Storage

| | |
|----------------------------------|--------|
| Flexible Disk 1.44 MB 3-1/2 inch | D2035A |
| Flexible Disk 1.2 MB 5-1/4 inch | D2036A |
| IDE 52 MB Hard Disk | D1694A |
| IDE 120 MB Hard Disk | D1696A |
| IDE 240 MB Hard Disk | D1697A |
| IDE 85 MB Hard Disk | D2329A |
| IDE 170 MB Hard Disk | D2330A |
| SCSI 430 MB Hard Disk | D1699A |

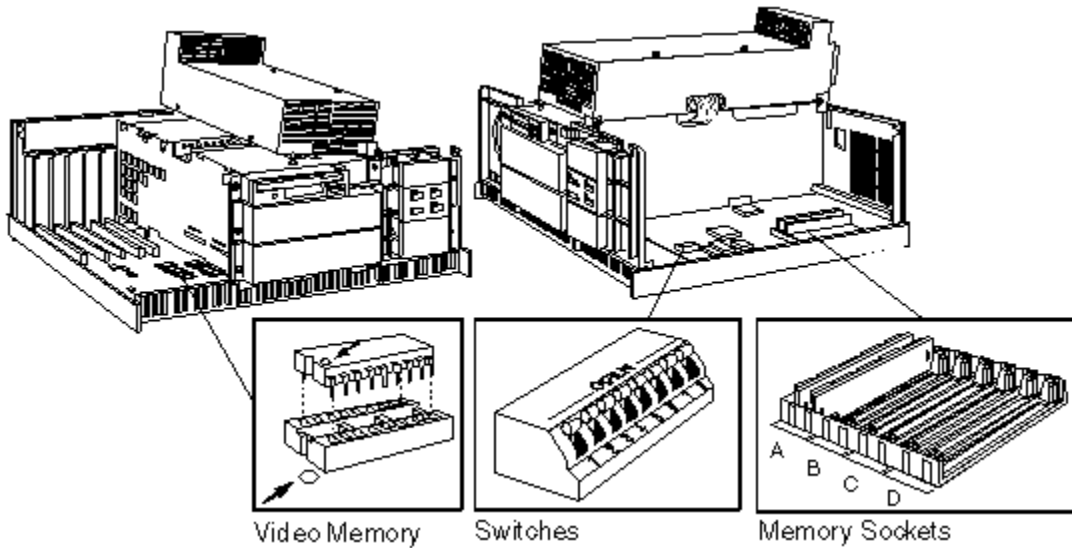
Datacomm and LAN Boards

| | |
|--------------------|--------|
| Token-Ring Adapter | D2378A |
|--------------------|--------|

Input Devices

| | |
|------------------------------------|--------|
| Mouse (PS/2, Microsoft) | C1413A |
| Keyboard - new style (recommended) | C3756A |

SYSTEM BOARD, BIOS, AND MEMORY



System Board Switches

| Switch #* | Function | Default |
|-----------|--|------------|
| 1 | OFF Mouse interrupt IRQ 12 — enabled ON Mouse interrupt IRQ 12 — disabled (disable mouse if an accessory board uses IRQ 12) | OFF |
| 2 | OFF Video interrupt IRQ 9 — disabled ON Video interrupt IRQ 9 — enabled | OFF |
| 3 | OFF Built-in VGA controller — enabled ON Built-in VGA Controller — disabled (disable built-in video if another video board is used) | OFF |
| 4 | OFF Passwords — enabled ON Passwords — disabled (erased) | OFF |
| 5 | OFF EEPROM stored config information — valid ON EEPROM stored config information — erased | OFF |
| 6 | OFF Security mode — disabled ON Security mode — forced (configuration cannot be changed using Setup) | OFF |
| 7 & 8 | OFF Reserved (leave at factory default setting) | OFF |

*Switch: OFF = OPEN; ON = CLOSED

SETUP AND BIOS HISTORY

Setup version "D.xx.xx" is used on Vectra 386s PCs.

| <u>BIOS Ver.</u> | <u>Date</u> | <u>Description</u> | <u>Kit Part No.</u> | <u>Min Setup</u> |
|--------------------------|-------------|--|---------------------|------------------|
| Vectra 386s PC | | | | |
| HP Vectra 386s PC | | | | |
| N.03.00 | Nov 91 | First release | D2512-83001 | D.01.00 |
| N.03.01 | Apr 92 | Adds memory initialization delay to correct RAM error when using Mitsubishi memory modules | D2512-83002 | |
| N.03.02 | July 92 | Adds support for 386s/25 | 5063-0822 | D.02.01 |
| N.03.04 | Nov 92 | — | 5063-0860 | D.02.01 |

LAN Boot ROM Revisions-Part Numbers

| <u>Description</u> | <u>Rev</u> | <u>Date</u> | <u>Part #</u> | <u>Info.</u> |
|--|------------|-------------|---------------|---|
| First release. Supports Novell Netware on Ethernet | A.01.00 | Sept 92 | 5062-2673 | For Vectra 386/16N, 386/20N and 386s/20 |
| Adds LAN Manager | A.02.00 | Apr 92 | 5063-2697 | For Vectra 386N (D24xxx) PC Series and 386s/20 |
| Adds Novell Netware, LAN Manager, IBM PC Server, and IBM Server for Token-Ring | A.03.00 | Aug 92 | 5063-0828 | For Vectra 386N (D24xxx) PC Series and 386s PC Series |

VIDEO MEMORY

The PC is supplied with 256 KB of video RAM. An additional 256 KB of video RAM can be installed in eight video sockets (to make a total of 512 KB video memory). Four of the video sockets are located under the disk drive bridge.

MAIN MEMORY

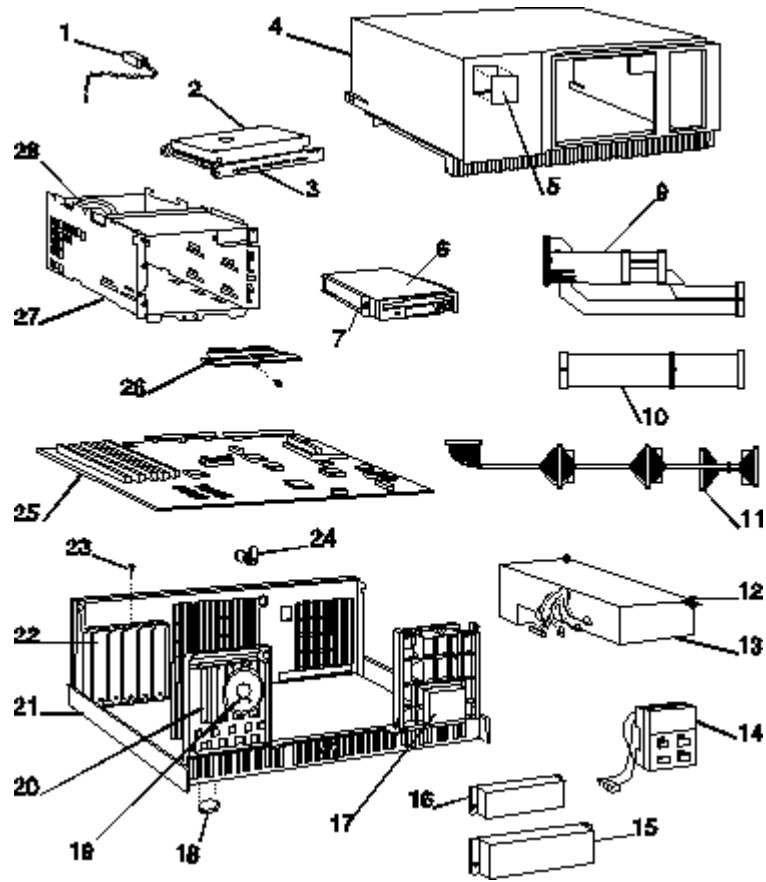
The PC has eight sockets for main memory modules. Each pair of sockets (labeled A, B, C, and D) forms a bank.

Main Memory Configuration

| For a TOTAL mem of: | Install Memory Modules in these banks (each bank has two sockets): | | | | | | | | Using This Kit(s): |
|---------------------------|---|------|------|------|------|------|------|------|--------------------------------|
| | A | A | B | B | C | C | D | D | |
| 2 MB | 1 MB | 1 MB | | | | | | | Standard |
| 4 MB | 1 MB | 1 MB | 1 MB | 1 MB | | | | | One 2 MB kit |
| 6 MB | 1 MB | 1 MB | 1 MB | 1 MB | 1 MB | 1 MB | | | Two 2 MB kits |
| 8 MB | 1 MB | 1 MB | 1 MB | 1 MB | 1 MB | 1 MB | 1 MB | 1 MB | Three 2 MB kits |
| 10 MB | 1 MB | 1 MB | 4 MB | 4 MB | | | | | One 8 MB kit |
| 12 MB | 1 MB | 1 MB | 1 MB | 1 MB | 4 MB | 4 MB | | | One 2 MB kit and one 8 MB kit |
| 14 MB | 1 MB | 1 MB | 1 MB | 1 MB | 1 MB | 1 MB | 4 MB | 4 MB | Two 2 MB kits and one 8 MB kit |
| 16 MB | 4 MB | 4 MB | 4 MB | 4 MB | | | | | Two 8 MB kits* |

*Remove the original 2 MB (2x1 MB modules) from bank A.

PART NUMBERS



Parts List for HP Vectra 386s PC

| <u>Item</u> | <u>Description</u> | <u>Replacement Part Number</u> | <u>Exchange Part Number</u> |
|-------------|---|---|-----------------------------|
| 1 | Battery | 1420-0513 | — |
| 2 | Hard Disk Drive (standard): | | |
| | 52 MB | D1694-60003 | D1694-69001 |
| | 85 MB | D2329-6003 | D2329-69001 |
| | 120 MB | D1697-60007 | D1697-69001 |
| | 170 MB | D2330-60003 | D2330-69001 |
| 3 | 3.5-inch, h-h, Tray (5 pack) for non-HP hard disk drives | Order D2037A (bottom & rear positions) D2198A (front) includes HDD activity light | |
| 4 | Top Cover-Bezel Assembly | 5062-5593 | — |
| 5 | Nameplate | | |
| | HP Vectra 386s/20 Logo | 5041-2552 | — |
| | HP Vectra 386s/25 Logo | 5041-2574 | — |
| 6 | 3.5-inch Flexible Disk Drive | D2035-63021 | — |
| 7 | Mounting Rails for 3.5-inch non-HP Disk Drives | 5063-0309 | — |
| 9 | Flexible Disk Drive Cable, 3.5 & 5.25-inch | 5181-0391 | — |
| 10 | Hard Disk Cable (IDE drive) | 5181-0392 | — |
| 11 | Hard Disk Cable (SCSI drive) | 5181-0397 | — |
| | SCSI Disk Activity Light Cable (supplied with SCSI drive) | 5181-5684 | — |
| 12 | Snap Fastener | 1390-0882 | — |
| 13 | Power Supply Assembly | 5063-0339 | — |
| 14 | Status (Control) Panel | 5062-5600 | — |
| 15 | Filler Panel, 5.25-inch | 5062-5597 | — |
| 16 | Filler Panel, 3.5-inch | 5062-5595 | — |
| 17 | Control Panel Filler Assembly | 5063-0303 | — |
| 18 | Bumper Foot | 5181-0394 | — |
| 19 | Speaker Assembly | 02620-60016 | — |
| 20 | Board Guide Assembly | 5041-1066 | — |
| 21 | Base | 5062-5592 | — |
| 22 | I/O panel, Blank | 45935-00004 | — |
| 23 | Screw, 6-32 Pilot Point | 0624-0727 | — |
| 24 | Keylock Assembly | 5062-5599 | — |
| 25 | System Board | See PC's system board parts list | |
| 26 | Retainer Assembly (Bottom Disk) | 5001-6853 | — |
| 27 | Bridge/Lid Assembly | 5063-0306 | — |
| 28 | Fan Assembly | 5063-0307 | — |

System Board Parts List for HP Vectra 386s PC

| <u>Description</u> | <u>Replacement Part Number</u> | <u>Exchange Part Number</u> |
|--|--------------------------------|-----------------------------|
| System Board (includes integrated IDE disk and Super VGA controller): | | |
| Vectra 386s/20 System Board | D2512-63005 | D2512-69005 |
| Vectra 386s/25 System Board | D2573-63005 | D2573-69005 |
| Disk Controller Boards (slot 4): | | |
| HP ISA SCSI Host Adapter (D1682A) | 1150-1837 | 1150-1887 |
| D1682A SCSI Board Jumpers | 1258-0209 | — |
| Processor: 386SX 20 MHz and 386SX 25 MHz | Processors not removable | |
| Coprocessor: | | |
| 387SL (Vectras 386s/20 and 386s/25) | D2408-83001 | — |
| Main Memory Modules: | | |
| 1 MB Main Memory Module | 5062-2670 | — |
| 4 MB Main Memory Module | 5062-2671 | — |
| Video Memory Modules: 256 KB kit | 8 1818-5235 | — |
| BIOS ROM Kit | 5063-0822 | — |
| LAN Boot ROM Kit | 5063-0828 | — |

Support Manuals for HP Vectra 386s PC

| | |
|---|-----------------|
| Familiarization Guide | D2951+49B-90001 |
| Technical Reference Manual: Hardware and BIOS | D2512-90001 |

Part Numbers for HP Utility Diskettes

| <u>Description</u> | <u>Rev</u> | <u>Date Code</u> | <u>Part #</u> | <u>Info.</u> |
|--------------------|------------|------------------|-----------------|--------------|
| 3.5-inch disk | C.00.00 | 3224 | Available on HP | Kit |
| | B.00.00 | 3224 | PC Internal BBS | Setup Disk |
| | D.00.00 | 3238 | | Video Disk |
| 5.25-inch disk | C.00.00 | 3224 | Available on HP | Kit |
| | B.00.00 | 3224 | PC Internal BBS | Setup Disk |
| | D.00.00 | 3238 | | Video Disk |

7 HP VECTRA RS PC SERIES

MODELS AND ACCESSORIES

| <u>Product Number</u> | <u>Flexible Drive A:</u> | <u>Hard Drive C:</u> | <u>Disk Controller</u> | <u>Video Controller</u> | <u>Std. RAM</u> |
|--|--|--------------------------|-----------------------------------|-----------------------------------|-----------------|
| Vectra RS PCs | | | | | |
| HP Vectra RS/16 PC (CPL: 03/88; discontinued: 03/89) | | | | | |
| D1500A | 1.2 MB (45812A) | 40 MB (D1297A) | ST-506 F-F Board (45945-60013) | None | 1 MB |
| D1501A | | 103 MB (D1674A) | ESDI F-F Board (D1677A) | VGA Board (D1180A) | 2 MB |
| D1502A | | | | None | |
| HP Vectra RS/20 PC (CPL: 03/88; discontinued: 03/89) | | | | | |
| D1600A | 1.2 MB (45812A) | 40 MB (D1297A) | ST-506 F-F Board (45945-60013) | None | 1 MB |
| D1601A | | 103 MB (D1674A) | ESDI F-F Board (D1677A) | VGA Board (D1180A) | 2 MB |
| D1602A | | | | None | |
| D1603A | | 155 MB (D1675A) | | | |
| D1604A | | 310 MB (D1674A) | | | |
| D1606B | 1.2 MB (45812A) and 1.44 MB (D1667A) | 610370 MB (D1674A) | | VGA Board (D1180A) (512 KB) | 4 MB |
| HP Vectra RS/20C PC (CPL: 01/89; discontinued: 10/90) | | | | | |
| D2001A | 1.2 MB (45812A) | None | ESDI F-F Board (D1677A) | None | 1 MB |
| D2002A | | 103 MB (D1674A) | | | |
| D2003A | | 155 MB (D1675A) | | | |
| D2004A | | | | | 4 MB |
| HP Vectra RS/25 PC (CPL: 01/89; discontinued: 08/92) | | | | | |
| D2021A | 1.2 MB (45812A) | None | ESDI F-F Board (D1677A) | None | 1 MB |
| D2022A | | 103 MB (D1674A) | | | |
| D2023A | | 155 MB (D1675A) | | | |
| D2024A | | | | | 4 MB |
| D2025A | | 310 MB (D1674A) | | | |

| Product Number | Flexible Drive A: | Hard Drive C: | Disk Controller | Video Controller | Std. RAM |
|---|--------------------------|----------------------|--|-------------------------|-----------------|
| <i>From April 91, all RS/25C products have new model numbers:</i> | | | | | |
| D2020A | 1.2 MB (45812A) | None | IDE M-F Board (D2384-63031) | None | 4 MB |
| D2080A | 1.44 MB (D1667A) | 168 MB (D1680A) | | | |
| D2082A | | | | | |
| D2083A | | 330 MB (D1660A) | IDE M-F Board (D2384-63031) <i>and</i> ESDI Board (D1664A) | | |

SUPPORTED ACCESSORIES

| | |
|---|--------|
| 1 MB Main Memory Upgrade (4x256 KB modules) kit | D1640A |
| 8 MB Main Memory Upgrade (8x1 MB modules) kit | D1641A |
| 4 MB Main Memory Upgrade kit (4x1 MB modules) kit | D1642A |
| Intel 80387DX Match Coprocessor | D2070A |
| Flexible Disk Expander Board | D1678A |
| Setup Kit (<i>Setting Up</i> manual and diskettes) | D2053B |

Input Devices

| | |
|--------------|--------|
| HP-HIL Mouse | 46060A |
| Keyboard | C1405A |

Video Boards

| | |
|--------------------|--------|
| HP VGA Board | D1180A |
| HP Super VGA Board | D2382A |

Video Displays

| | |
|---|------------|
| Monochrome Display | D1181A/W/G |
| VGA Color Display | D1182A/B |
| Monochrome Display | D1192A/B |
| Ultra VGA Color Display 17-inch | D1193A |
| Super VGA Color Display 14-inch | D1194A |
| Ergo Super VGA Color Display 15-inch | D1195A |
| Ergo Ultra VGA Color Display 15-inch | D1196A |
| Color VGA Display | D1197A |
| Ultra VGA 1600 Display | D1199A |
| Monochrome VGA 14-inch Display | D2801A/B |
| Entry-Level SVGA 14-inch Display | D2802A |
| Super VGA 1024i 14-inch Display | D2804A |
| Ergo 1024 14-inch Display | D2805A |
| Ergo Ultra VGA 15-inch Display | D2806A |
| Ultra VGA 1280 17-inch Display | D2807A |
| Super VGA 14-inch Display (Low Emissions) | D2814A |

Multifunction Controller Boards

| | |
|---|-------------|
| HP IDE Multifunction Controller Board | D2384-60021 |
| HP ST-506 Four-Function Controller Board | 45945-60013 |
| HP ESDI High Performance Controller Board | D1664A |
| HP ESDI Four-Function Controller Board | D1677A |

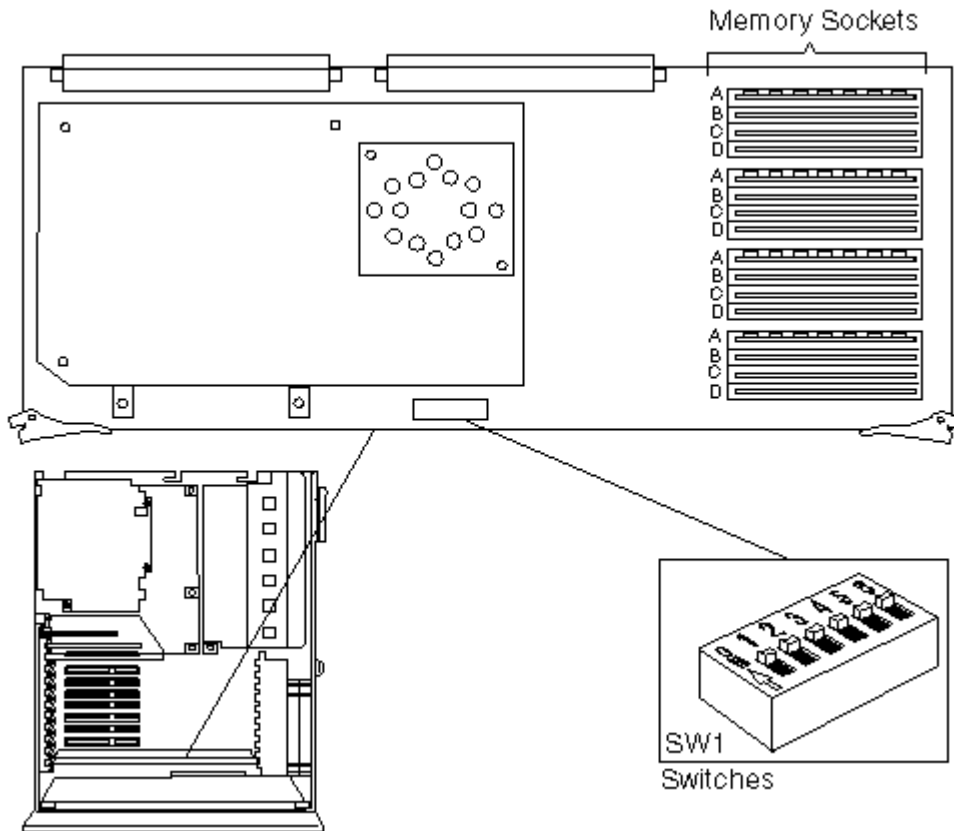
Mass Storage

| | |
|----------------------------------|--------|
| Flexible Disk 360 KB 5-1/4 inch | 45811A |
| Flexible Disk 1.2 MB 5-1/4 inch | 45812A |
| Flexible Disk 1.44 MB 3-1/2 inch | D1667A |
| ST-225 20 MB Hard Disk | D1296A |
| ST-225 40 MB Hard Disk | D1297A |
| ESDI 108 MB Hard Disk | D1445A |
| ESDI 152 MB Hard Disk | D1446A |
| ESDI 330 MB Hard Disk | D1660A |
| ESDI 670 MB Hard Disk | D1661A |
| ESDI 103 MB Hard Disk | D1674A |
| ESDI 155 MB Hard Disk | D1675A |
| ESDI 310 MB Hard Disk | D1676A |
| IDE 42 MB Hard Disk | D1665A |
| IDE 84 MB Hard Disk | D1666A |
| IDE 120 MB Hard Disk | D1679A |
| IDE 168 MB Hard Disk | D1680A |
| IDE Dual 168 MB Hard Drives | D1688A |

Datacomm and LAN Boards

| | |
|----------------------------|--------|
| Serial Parallel Board | 24540B |
| Dual Serial Board | 24541B |
| Modem 1200 baud | 24550A |
| Modem 2400 baud | 24551A |
| Ethertwist PC Link Adapter | 27245A |
| Ethertwist Adapter/16 | 27247A |
| Ethertwist Adapter/16 | 27247B |
| HP ThinLAN Board | 27250A |
| Terminal Multiplexor | D2040A |
| Token-Ring Adapter | D2378A |

SYSTEM BOARD, BIOS, AND MEMORY



Processor/Memory Board Switches

| Switch | Function | Default |
|--------|---|-----------|
| 1 | ON Coprocessor — enabled OFF Coprocessor — disabled | ON |
| 2 | ON I/O channel speed — asynchronous 8 MHz OFF I/O channel speed* — synchronous 8 MHz RS/16, 10 MHz RS/20 and RS/20C, 12.5 MHz RS/25C | ON |
| 3 | ON Base memory — 640 KB OFF Base memory — 512 KB | ON |
| 4 | ON Option ROMs — enabled** OFF Option ROMs — disabled | ON |
| 5 | ON <i>Reserved (leave at factory default setting)</i> | ON |
| 6 | ON <i>Reserved (leave at factory default setting)</i> | ON |

*I/O speed: only use 10 MHz or 12.5 MHz if all the accessory boards can use these speeds.

**Option ROMs: leave switch 4 ON even if no option ROMs are installed. (On boards with a serial # <2947, if switch 4 is set to OFF and there are no option ROMs, the PC will not boot.)

SETUP AND BIOS HISTORY

Setup version "B.xx.xx" is used on Vectra RS PCs.

| <u>BIOS Ver.</u> | <u>Date</u> | <u>Description</u> | <u>Kit Part No.</u> | <u>Min Setup</u> |
|----------------------------|-------------|---|--------------------------------------|------------------|
| Vectra RS PCs | | | | |
| HP Vectra RS/16 PC | | | | |
| C.02.01 | Mar 88 | First release | ROM 0: 1818-4390 ROM 1: 1818-4391 | Any "B" version |
| HP Vectra RS/20 PC | | | | |
| C.02.01 | Jun 90 | First release | ROM 0: 1818-4388 ROM 1: 1818-4389 | Any "B" version |
| HP Vectra RS/20C PC | | | | |
| E.02.00 | Dec 88 | First release | - | Any "B" version |
| E.02.02 | Oct 89 | Same as D.02.02 and D.02.03 of the QS/20 | D2010-83002 | Any "B" version |
| HP Vectra RS/25C PC | | | | |
| E.02.00 | Dec 88 | First release | - | Any "B" version |
| E.02.01 | Aug 89 | Same as D.02.02 (QS/20) | - | Any "B" version |
| E.02.02 | Aug 89 | Same as D.02.03 (QS/20) | - | Any "B" version |
| E.02.03 | Jun 90 | Same as D.02.04 (QS/20) | - | Any "B" version |
| E.03.04 | - | Not released | - | Any "B" version |
| E.03.05 | - | Not released | - | Any "B" version |
| E.02.06 | Feb 91 | Same as D.02.05 (QS/20) Support hard-disk volumes larger than 528 MB | D2060-83006 | Any "B" version |
| E.02.07 | Mar 92 | Fixes Coprocessor test hang problems with Cyrix Coprocessor | D2060-83007 | Any "B" version |

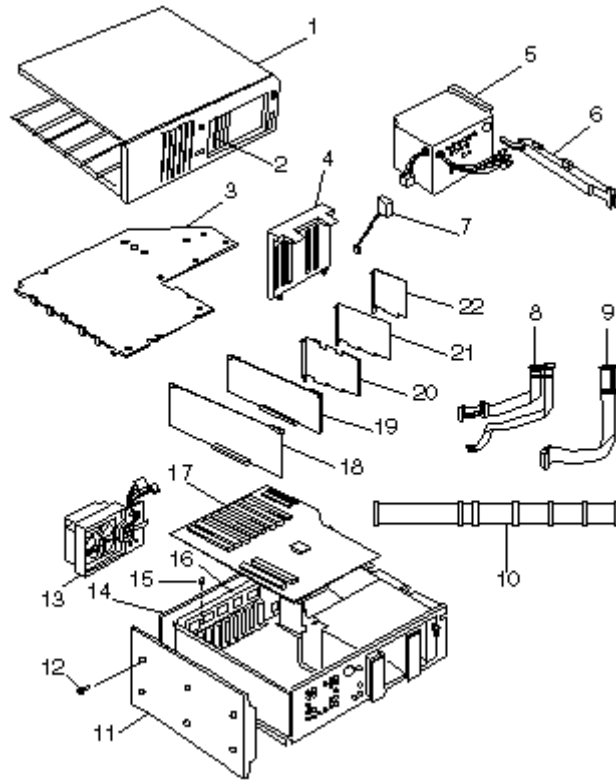
MAIN MEMORY

The HP RS system board has sixteen sockets for main memory modules in four banks labeled A, B, C and D.

Main Memory Configurations

| <u>For a TOTAL memory of:</u> | <u>Install:</u> | <u>In these banks:</u> |
|-------------------------------|---|--|
| 1 MB | Four 256 KB modules | All A banks |
| 2 MB | Eight 256 KB modules | All A and B banks |
| 4 MB | Sixteen 256 KB modules | All A, B, C, and D banks |
| 4 MB | Four 1 MB modules | All A banks |
| 8 MB | Eight 1 MB modules | All A and B banks |
| 10 MB | Eight 256 KB modules and eight 1 MB modules | All A and B banks All C and D banks |
| 16 MB | Sixteen 1 MB modules | All A, B, C and D banks |

PART NUMBERS



Parts List for HP Vectra RS/16, RS/20, RS/20C and RS/25C PCs

| <u>Item</u> | <u>Description</u> | <u>Replacement Part Number</u> | <u>Exchange Part Number</u> |
|-------------|---|--------------------------------|-----------------------------|
| 1 | Top Cover | 5062-6927 | — |
| 2 | Small Front Bezel Insert: | D1612-40005 | |
| | Large Front Bezel Insert | D1612-40011 | — |
| 3 | RFI Shield Assembly | D1612-60011 | — |
| 4 | Board Guide | 45945-40005 | — |
| 5 | Power Supply | 0950-2019 | D1612-69010* |
| 6 | Power Switch Shaft | D1612-40008 | — |
| 7 | Battery Pack | 1420-0368 | — |
| 8 | Hard Disk Cable: | | |
| | Dual Hard Disk cable | D1612-80013 | — |
| | Dual Hard Disk cable (Vectra RS/25C with serial number above #0191) | 5181-5646 | — |
| | Hard Disk Cable (for 2nd ESDI/ST-506 drive) | 5061-8981 | — |
| | Hard Disk Cable (for IDE drive) | 5181-5670 | — |
| 9 | Flexible Disk Drive Cable, 3.5 & 5.25-inch | 5181-5623 | — |
| 10 | Hard Disk Cable (SCSI drive)** | 5062-5579 | — |

Parts List for HP Vectra RS/16, RS/20, RS/20C and RS/25C PCs (contd.)

| <u>Item</u> | <u>Description</u> | <u>Replacement Part Number</u> | <u>Exchange Part Number</u> |
|-------------|------------------------------|----------------------------------|-----------------------------|
| 11 | Base (486T) | D1612-40003 | — |
| | Base (Vectra 486ST) | D2635-60021 | — |
| 12 | 10 - 32 Base Screws | 2680-0099 | — |
| 13 | Fan/Speaker/Keylock Assembly | 5063-0308 | — |
| 14 | Rear Bezel Assembly | 5062-2659 | — |
| 15 | Accessory Slot Screw | 2680-0311 | — |
| 16 | Vectra RS Chassis Assembly | D1612-60006 | — |
| 19 | Memory Board | See PC's system board parts list | |
| | Nameplates: | | |
| | HP Vectra RS/16 Logo | D1510-00001 | — |
| | HP Vectra RS/20 Logo | D1612-00010 | — |
| | HP Vectra RS/20C Logo | D2010-00010 | — |
| | HP Vectra RS/25C Logo | D2060-00010 | — |

*Vectra RS Power Supply: D1612-69010 for Europe only

**The SCSI disk activity light cable is built into the computer

System Board Parts List for HP Vectra RS/16, RS/20, RS/20C and RS/25C PCs

| | | | |
|----|---|-------------|-------------|
| 17 | System Board | | |
| | Vectra RS System Interface Board | D1612-63002 | D1612-69002 |
| 18 | Processor/Memory Boards: | | |
| | Vectra RS/16, RS/20, and RS/20C Processor/Memory Board | D2010-63005 | D2010-69005 |
| | Vectra RS/25C Processor/Memory Board | D2060-63025 | D2060-69005 |
| | Vectra RS/20C Cache Memory Board | D2010-63023 | D2010-69023 |
| | Vectra RS/25C Cache Memory Board | D2060-63026 | D2060-69026 |
| | Vectra RS/16 and RS/20 Processor/Memory Board RFI Shield | D1612-00007 | — |
| | Vectra RS/20C and RS/25C Cache Memory Board Bottom Shield Assembly | D2010-60020 | — |
| | Vectra RS/20C and RS/25C Cache Memory Board Top Shield Assembly | D2010-60010 | — |
| | Board Guide (left) | D1612-40001 | — |
| | Board Guide (right) | D1612-40002 | — |
| | Video Board (any slot): | | |
| | HP VGA Board (D21180A) See Vectra Accessories — Part numbers for Video Boards | — | — |
| | HP Super VGA Board (D2382A) | D2382-63004 | D2382-69004 |

**System Board Parts List for HP Vectra RS/16, RS/20, RS/20C and RS/25C PCs
(contd.)**

| <u>Item</u> | <u>Description</u> | <u>Replacement Part Number</u> | <u>Exchange Part Number</u> |
|-------------|--|------------------------------------|---------------------------------|
| 20 | Disk Controller Boards (slot 8): | | |
| | ST-506 Four-Function Controller Board | 45945-60013 | 45945-69013 |
| | ESDI Four-Function Controller Board (D1677A) | 1150-1802 | 1150-1803 |
| | ESDI High-Performance controller Board (D1664A) | 1150-1884 | 1150-1885 |
| | IDE Controller | D2384-63031 | — |
| | Flexible Disk Expander Board | D1678-60001 | — |
| | Flexible Disk Expander Cable | D1678-80002 | — |
| 21 | Datacomm Controller Board (slot 9): | | |
| | Input Device Connector Board | D1612-60001 | — |
| | Processors: | | |
| | 386 16 MHz (Vectra RS/16) | 1820-6055 | — |
| | 386 20 MHz (Vectra RS/20) | 1820-8487 | — |
| | 386 20 MHz (Vectra RS/20C) | 1820-6054 | — |
| | 386 25 MHz (Vectra RS/25C) | 1820-6294 | — |
| | Math Coprocessor: | | |
| | 387 16-33 MHz (all Vectra RS PCs) | 1820-6295 | — |
| | Oscillators: | | |
| | 32 MHz (Vectra RS/16) | 1813-0622 | — |
| | 40 MHz (Vectra RS/20C and RS/20) | 1813-0119 | — |
| | 50 MHz (Vectra RS/25C) | 1813-0725 | — |
| | Main Memory Modules: | | |
| | 256 KB Main Memory Module | 1818-4268 | — |
| | 1 MB Main Memory Module | 1881-4271 | — |
| | BIOS ROM: | | |
| | Vectra RS/16 ROM 0 | 1818-4390 | — |
| | Vectra RS/16 ROM 1 | 1818-4391 | — |
| | Vectra RS/20 ROM 0 | 1818-4388 | — |
| | Vectra RS/20 ROM 1 | 1818-4389 | — |
| | Vectra RS/20C ROM 0 | 1818-4762 | — |
| | Vectra RS/20C ROM 1 | 1818-4763 | — |
| | Vectra RS/20C ROM Kit | D2010-83002 | — |
| | Vectra RS/25C ROM 0 | 1818-5244 | — |
| | Vectra RS/25C ROM 1 | 1818-5245 | — |
| | Vectra RS/25C ROM Kit | D2060-8307 | — |
| | 8042 Keyboard Controller | 1820-5550 | — |

Support Manuals for HP Vectra RS/16, RS/20, RS/20C and RS/25C PCs

| | |
|---|-----------|
| Service Manual | 5958-7599 |
| Technical Reference Manual: Hardware and BIOS | 5958-7598 |

Part Numbers for HP Utility Diskettes

| <u>Description</u> | <u>Rev</u> | <u>Date Code</u> | <u>Part #</u> | <u>Info.</u> |
|---|------------|------------------|------------------------------------|--------------------------|
| Vectra RS Setup & Utilities Disks: | | | | |
| 3.5-inch disk | C.01.03 | 3139 | Available on HP PC Internal BBS | Setup version B.06.01 |
| 5.25-inch disk | | | | |

8 HP VECTRA 486 & 486T PC SERIES

MODELS AND ACCESSORIES

| <u>Product Number</u> | <u>Flexible Drive A:</u> | <u>Hard Drive C:</u> | <u>Disk Controller</u> | <u>Video Controller</u> | <u>Std. RAM</u> |
|---|--------------------------|----------------------|-----------------------------------|-------------------------|-----------------|
| Vectra 486 PCs | | | | | |
| HP Vectra 486 PC (CPL: 02/90; discontinued: 02/91) | | | | | |
| D2220A | 1.2 MB (45812A) | None | Integrated IDE Interface | None | 2 MB |
| D2221A | | 152 MB (D1446A) | ESDI Controller Board (D1664A) | | |
| D2222A | | 330 MB (D1660A) | | | |
| D2223A | | 670 MB (D1661A) | | | |
| Vectra 486T PCs | | | | | |
| HP Vectra 486/25T PC (CPL: 02/91; discontinued: 08/92) | | | | | |
| D2219C | 1.44 MB (D1667A) | None | Integrated IDE Interface | None | 4 MB |
| D2220C | 1.2 MB (45812A) | | | | |
| D2221C | 1.44 MB (D1667A) | 168 MB (D1680A) | | | |
| D2222C | | 440 MB (D1685A) | SCSI-2 Host Adapter (D1681A) | | |
| D2223C | | 670 MB (D1686A) | | | |
| HP Vectra 486/33T PC (CPL: 02/91; discontinued: 12/92) | | | | | |
| D2236A | 1.44 MB (D1667A) | None | Integrated IDE Interface | None | 4 MB |
| D2237A | 1.2 MB (45812A) | | | | |
| D2238A | 1.44 MB (D1667A) | 168 MB (D1680A) | | | |
| D2239A | | 440 MB (D1685A) | SCSI-2 (D1681A) | | |
| D2240A | | 1000 MB (D1687A) | | | |

SUPPORTED ACCESSORIES

| | |
|---|---------|
| 1 MB Main Memory Upgrade kit | D2150A |
| 2 MB Main Memory Upgrade kit | D2381A |
| 4 MB Main Memory Upgrade kit (Vectra 486/25T only) | D2151 A |
| 4 MB Main Memory Upgrade kit | D2156A |
| 8 MB Main Memory Upgrade kit | D2152A |
| Setup Kit (<i>Setting Up</i> manual and diskettes) | D2161A |

Video Displays

| | |
|---|------------|
| Monochrome Display | D1181A/W/G |
| VGA Color Display | D1182A/B |
| Monochrome Display | D1192A/B |
| Ultra VGA Color Display 17-inch | D1193A |
| Super VGA Color Display 14-inch | D1194A |
| Ergo Super VGA Color Display 15-inch | D1195A |
| Ergo Ultra VGA Color Display 15-inch | D1196A |
| Color VGA Display | D1197A |
| Ultra VGA 1600 Display | D1199A |
| Monochrome VGA 14-inch Display | D2801A/B |
| Entry-Level SVGA 14-inch Display | D2802A |
| Super VGA 1024i 14-inch Display | D2804A |
| Ergo 1024 14-inch Display | D2805A |
| Ergo Ultra VGA 15-inch Display | D2806A |
| Ultra VGA 1280 17-inch Display | D2807A |
| Super VGA 14-inch Display (Low Emissions) | D2814A |

Input Devices

| | |
|-------------------------|--------|
| Mouse (PS/2, Microsoft) | C1413A |
| Keyboard | C1405B |

Video Boards

| | |
|--------------------|----------|
| HP Super VGA Board | D2382A |
| HP Ultra VGA Board | D2325A/B |

Multifunction Controller Boards

| | |
|---|--------|
| HP ESDI High Performance Controller Board | D1664A |
| HP EISA SCSI-2 Host Adapter | D1681A |
| HP ISA SCSI-2 Host Adapter Board | D1682A |

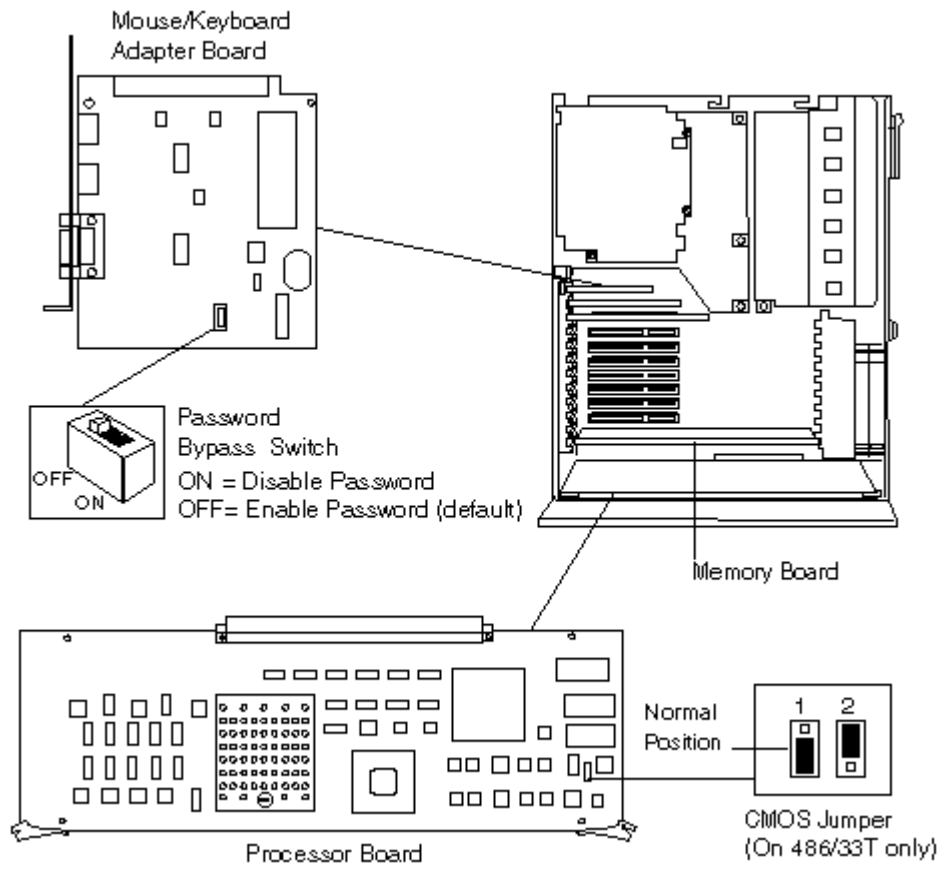
Mass Storage

| | |
|----------------------------------|--------|
| Flexible Disk 360 KB 5-1/4 inch | 45811A |
| Flexible Disk 1.2 MB 5-1/4 inch | 45812A |
| Flexible Disk 1.44 MB 3-1/2 inch | D1667A |
| Flexible Disk 1.44 MB 3-1/2 inch | D2035A |
| ESDI 108 MB Hard Disk | D1445A |
| ESDI 152 MB Hard Disk | D1446A |
| ESDI 330 MB Hard Disk | D1660A |
| ESDI 670 MB Hard Disk | D1661A |
| ESDI 103 MB Hard Disk | D1674A |
| ESDI 155 MB Hard Disk | D1675A |
| ESDI 310 MB Hard Disk | D1676A |
| IDE 42 MB Hard Disk | D1665A |
| IDE 84 MB Hard Disk | D1666A |
| IDE 120 MB Hard Disk | D1679A |
| IDE 168 MB Hard Disk | D1680A |
| IDE Dual 168 MB Hard Drives | D1688A |
| SCSI 440 MB Hard Disk | D1685A |
| SCSI 670 MB Hard Disk | D1686A |
| SCSI 1000 MB Hard Disk | D1687A |
| SCSI 430 MB Hard Disk | D1699A |

Datacomm and LAN Boards

| | |
|----------------------------|--------|
| Serial Parallel Board | 24540B |
| Dual Serial Board | 24541B |
| Modem 1200 baud | 24550A |
| Modem 2400 baud | 24551A |
| Ethertwist PC Link Adapter | 27245A |
| Ethertwist Adapter/16 | 27247A |
| Ethertwist Adapter/16 | 27247B |
| HP ThinLAN Board | 27250A |
| Terminal Multiplexor | D2040A |
| Token-Ring Adapter | D2378A |

SYSTEM BOARD, BIOS, AND MEMORY



PASSWORD BYPASS SWITCH

The password bypass switch is located on the mouse/keyboard adapter board.

Password Bypass Switch

| <u>Switch #</u> | <u>Function</u> | <u>Default</u> |
|-----------------|--|----------------|
| 1 | ON Passwords — disabled To disable the password, set the switch to ON. | OFF |
| | OFF Passwords — enabled To enable (or re-enable) the password, set the switch to OFF and run EASY CONFIG to enter a new password. | |

HP VECTRA 486/33T PROCESSOR BOARD CLEAR CMOS JUMPER

The clear CMOS jumper is located on the Vectra 486/33T processor board.

Clear CMOS Jumper

| <u>Position</u> | <u>Function</u> | <u>Default</u> |
|-----------------|--|----------------|
| 1 | 1 Preserves contents of CMOS To disable the password, set the switch to ON. | 1 |
| | 2 Clears the CMOS To clear the contents of CMOS RAM: 1. Switch off the computer. 2. Move the jumper to position 2 for about 30 seconds. 3. Move the jumper back to position 1. 4. Switch on the computer. 5. Reconfigure computer with EASY CONFIG (use saved SCI file if available). | |

SETUP AND BIOS HISTORY

EASY CONFIG version "A.xx.xx" is used on Vectra 486T PCs.

| <u>BIOS Ver.</u> | <u>Date</u> | <u>Description</u> | <u>Kit Part No.</u> | <u>Min Setup</u> |
|--------------------------------------|-------------|---|---------------------|------------------|
| Vectra 486 & 486T PCs | | | | |
| HP Vectra 486 and 486/25T PCs | | | | |
| G.03.01 | Feb 90 | First release | — | EC* version |
| G.03.02 | Jun 90 | Support for HP D1679A & D1680A Support for VMI video board Fixes problems with IBM monochrome board, INT 15 Mouse drive and memory count which does not display on the correct row | — | A.02.01 |
| G.03.03 | Sep 90 | Provides fixes for: Banyan Vines/386 network software TI "Cezanne" Hi Res video board, Matrox video board & Western Digital 8514A Hi Res video board Western Digital Filecard | — | |
| G.03.04 | - | Not available | — | |
| G.03.05 | Feb 91 | Supports larger than 528 MB volumes on 670 MB internal ESDI hard-disk. Fixes Quadtel EMM driver and Memory miss-compare POST errors due to incomplete EISA initialization | — | |
| G.03.06 | May 91 | Fixes boot failures during POST due to coprocessor hanging | D2226-83004 | |
| G.03.07 | Nov 91 | Supports D1681A shipped from Nov 15, 91 and the new versions of HPMM.SYS and RELOCATE.SYS which does not load if DOS 5.0 is found. | D2226-83005 | |
| G.03.09 | Jun 92 | Fixes problems associated with coprocessor, EISA ports, 8042 keyboard, and improves hard disk R/W Access. | D2226-83006 | |

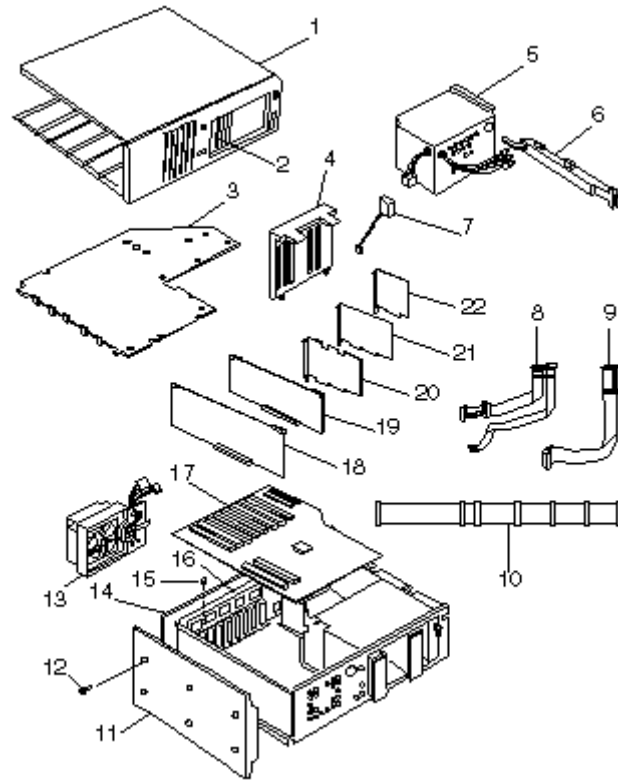
*EC: EASY CONFIG on Vectra 486T PCs.

1 MB and 4 MB Single-Density Main Memory Configurations

| For a TOTAL mem of: | Install Memory Modules in these banks | | | | | | | |
|---------------------------|---------------------------------------|------|------|------|------|------|------|------|
| | 1 | 2 | 3 | 4 | 5 | 6 | 7 | 8 |
| 2 MB | 1 MB | 1 MB | | | | | | |
| 4 MB | 1 MB | 1 MB | 1 MB | 1 MB | | | | |
| 6 MB | 1 MB | 1 MB | 1 MB | 1 MB | 1 MB | 1 MB | | |
| 8 MB | 1MB | 1M | 1 MB | 1 MB | 1 MB | 1 MB | 1 MB | 1 MB |
| <i>or</i> | | | | | | | | |
| 8 MB | 4 MB | 4 MB | | | | | | |
| 10 MB | 4 MB | 4 MB | 1 MB | 1 MB | | | | |
| 12 MB | 4 MB | 4 MB | 1 MB | 1 MB | 1 MB | 1 MB | | |
| 14 MB | 4 MB | 4 MB | 1 MB | 1 MB | 1 MB | 1 MB | 1 MB | 1 MB |
| 16 MB | 4 MB | 4 MB | 4 MB | 4 MB | | | | |
| 18 MB | 4 MB | 4 MB | 4 MB | 4 MB | 1 MB | 1 MB | | |
| 20 MB | 4 MB | 4 MB | 4 MB | 4 MB | 1 MB | 1 MB | 1 MB | 1 MB |
| 24 MB | 4 MB | 4 MB | 4 MB | 4 MB | 4 MB | 4 MB | | |
| 26 MB | 4 MB | 4 MB | 4 MB | 4 MB | 4 MB | 4 MB | 1 MB | 1 MB |
| 32 MB | 4 MB | 4 MB | 4 MB | 4 MB | 4 MB | 4 MB | 4 MB | 4 MB |

NOTE If you change the main memory configuration, run EASY CONFIG and verify that the new configuration has been detected, then save configuration.

PART NUMBERS



Parts List for HP Vectra 486, 486/25T and 486/33T PCs

| <u>Item</u> | <u>Description</u> | <u>Replacement Part Number</u> | <u>Exchange Part Number</u> |
|-------------|---|----------------------------------|-----------------------------|
| 1 | Top Cover | 5062-6927 | — |
| 2 | Front Bezel Insert: | | |
| | Small Insert | D1612-40005 | |
| | Large Insert | D1612-40011 | |
| 3 | RFI Shield Assembly | 5062-6964 | |
| 4 | Board Guide | 45945-40005 | |
| 5 | Power Supply | 0950-2194 | 5062-6978 |
| 6 | Power Switch Shaft | D1612-40008 | |
| 7 | Battery Pack | 1420-0368 | |
| 8 | Hard Disk Cable: | | |
| | Vectra 486T Dual hard disk cable | 5181-5646 | |
| | Hard Disk Cable (for 2nd ESDI/ST-506 drive) | 5061-8981 | |
| | Hard Disk Cable (for IDE drive) | 5181-5670 | |
| 9 | Flexible Disk Drive Cable, 3.5 & 5.25-inch | 5181-5623 | |
| 10 | Hard Disk Cable (SCSI drive)* | 5062-5579 | |
| | Vectra 486ST Hard Disk Cable** (SCSI drive) | D2635-60026 | |
| 11 | Vectra 486T Base | D1612-40003 | |
| 12 | 10 - 32 Base Screws | 2680-0099 | |
| 13 | Fan/Speaker/Keylock Assembly | 5061-8891 | |
| 14 | Rear Bezel Assembly | 5062-6967 | |
| 15 | Accessory Slot Screw | 2680-0311 | |
| 16 | Chassis Assembly | 5061-8890 | |
| 17 | System Board | See PC's system board parts list | |
| 18 | Processor Board | See PC's system board parts list | |
| 19 | Memory Board | See PC's system board parts list | |
| 20 | Disk Controller Board | See PC's system board parts list | |
| | Datacomm Controller Boards: | | |
| 21 | Parallel/Serial Board | See PC's system board parts list | |
| 22 | Mouse/Keyboard Board | See PC's system board parts list | |
| | Nameplate | | |
| | HP Vectra 486/25T Logo | 5181-5619 | |
| | HP Vectra 486/33T Logo | D2237-80006 | |

*The SCSI disk activity light cable is built into the computer.

**Terminated cable used for non-terminated devices.

System Board Parts List for HP Vectra 486, 486/25T and 486/33T PCs

| <u>Description</u> | <u>Replacement Part Number</u> | <u>Exchange Part Number</u> |
|---|--------------------------------|-----------------------------|
| System Board (486/25T and 486/33T include integrated IDE disk controller): | | |
| Vectra 486 and 486/25T System Board | 5061-8889 | 5062-6955 |
| Vectra 486/33T System Board | 5062-6937 | 5062-6955 |
| Processor Boards: | | |
| Vectra 486 and 486/25T Processor Board | 5062-6935 | 5062-6954 |
| Vectra 486/33T Processor Board | D2237-63002 | D2237-69002 |
| Video Board (slot 1): | | |
| HP Super VGA Board (D2382A) | D2382-63004 | D2382-69004 |
| HP Ultra VGA Board (D2325A/B) | D2325-63009 | |
| Memory Boards (above processor board): | | |
| Vectra 486 and 486/25T Memory Board | 5062-6934 | 5062-6924 |
| Vectra 486/33T Memory Board | 5062-6957 | 5062-6956 |
| Disk Controller Boards (slot 8): | | |
| ESDI High Performance Controller Board (D1664A) | 1150-1884 | 1150-1885 |
| HP EISA SCSI Host Adapter (D1681A) | 1150-1920 | 1150-1921 |
| HP ISA SCSI Host Adapter (D1682A) | 1150-1837 | 1150-1887 |
| D1682A SCSI Board Jumpers | 1258-0209 | |
| Datacomm Controller Boards: | | |
| Parallel/Serial Board (slot 9) | 5062-6975 | |
| Mouse/Keyboard/Serial Board (slot 10) | 5062-6976 | |
| Processors: | | |
| 486 25 MHz (486 and 486/25T) | 1820-6749 | |
| 486 33 MHz (486/33T) | 1820-7615 | |
| Main Memory Modules: | | |
| 1 MB Main Memory Module | 1818-4709 | D2150-69001 |
| 2 MB Main Memory Module | D2381-63001 | |
| 4 MB Main Memory Module | 1818-4703 | D2156-69001 |
| 8 MB Main Memory Module (36-bit) | 1818-4702 | D2152-69001 |
| BIOS ROM: | | |
| Vectra 486 and 486/25T ROM 0 | 1818-5287 | |
| Vectra 486 and 486/25T ROM 1 | 1818-5288 | |
| Vectra 486/33T | 1818-5286 | |
| 8042 Keyboard Controller | 1821-0061 | |

Support Manuals for HP Vectra 486, 486/25T and 486/33T PCs

| | |
|---|-----------|
| Service Manual | 5960-0746 |
| 486/25T Technical Reference Manual: Hardware and BIOS | 5959-5094 |
| 486/33T Technical Reference Manual: Hardware and BIOS | 5960-0748 |

Part Numbers for HP Utility Diskettes

| <u>Description</u> | <u>Rev</u> | <u>Date Code</u> | <u>Part #</u> | <u>Info.</u> |
|---|------------|------------------|---------------|-----------------|
| Vectra 486, 486/25T and 486/33T EASY CONFIG Disks: | | | | |
| 3.5-inch disk | A.02.01 | 3102 | 5063-0314 | Easy Config |
| 5.25-inch disk | | | 5063-0313 | version B.06.01 |

9 HP VECTRA 486ST PC SERIES

MODELS AND ACCESSORIES

| <u>Product Number</u> | <u>Flexible Drive A:</u> | <u>Hard Drive C:</u> | <u>Disk Controller</u> | <u>Video Controller</u> | <u>Std. RAM</u> |
|--|--------------------------|----------------------|------------------------|--|-----------------|
| Vectra 486ST PCs | | | | | |
| HP Vectra 486/33ST PC (CPL: 10/92; discontinued: 11/93) | | | | | |
| D2635A | 1.44 MB | None | Integrated IDE | Integrated Ultra | 4 MB |
| D2636A | (D1667A) | 240 MB (D2643A) | Interface | VGA+ (512 KB, upgradeable to 1 MB) | |
| D2637A | | 430 MB (D2644A) | SCSI-2 (D2649A)* | | 16 MB |
| D2638A | | 1000 MB (D2645A) | | | |
| D2646A** | | 430 MB (D2644A) | | | |

*Same as the D1681A but includes the Vectra ST PC's SCSI terminated cable.

**These models include Novell Netware 3.11, DOS 5.0 HP Ethertwist EISA LAN adapter.
D2646A=20 users, D2647A=50 users, D26438A=100 users.

| <u>Product Number</u> | <u>Flexible Drive A:</u> | <u>Hard Drive C:</u> | <u>Disk Controller</u> | <u>Video Controller</u> | <u>Std. RAM</u> |
|--|--------------------------|----------------------|------------------------|---|-----------------|
| HP Vectra 486/66ST PC (CPL: 10/92; discontinued: 11/93) | | | | | |
| D2639A | 1.44 MB | None | Integrated IDE | Integrated Ultra | 4 MB |
| D2640A | (D1667A) | 240 MB (D2643A)* | Interface | VGA+ (512 KB upgradeable to 1 MB) | |
| D2641A | | 430 MB (D2644A) | SCSI-2 (D2649A)** | | 16 MB |
| D2642A | | 1000 MB (D2645A) | | | |
| D2647A*** | | | | | |
| D2648A*** | | | | | |

*Same as the D1697A but includes the mounting hardware for use in the Vectra ST PC.

**Same as the D1681A but includes the Vectra ST PC's SCSI terminated cable.

***These models include Novell Netware 3.11, DOS 5.0 HP Ethertwist EISA LAN adapter.
D2646A=20 users, D2647A=50 users, D26438A=100 users.

SUPPORTED ACCESSORIES

| | |
|--|-------------|
| 512 KB Video Memory Upgrade kit | D2326A |
| 2 MB Main Memory Upgrade kit | D2381A |
| 8 MB Main Memory Upgrade kit | D2152A |
| Setup Kit (non-SCSI, includes manuals and diskettes) | D2635-90027 |
| Setup Kit (SCSI, includes manuals and diskettes) | D2637-90007 |

Processor Upgrade

| | |
|---|--------|
| 486ST Processor Upgrade to OverDrive/33 (486DX2-66) | D2172A |
|---|--------|

Mass Storage

| | |
|----------------------------------|--------|
| Flexible Disk 360 KB 5-1/4 inch | 45811A |
| Flexible Disk 1.2 MB 5-1/4 inch | 45812A |
| Flexible Disk 1.44 MB 3-1/2 inch | D1667A |
| Flexible Disk 1.44 MB 3-1/2 inch | D2035A |
| IDE 240 MB Hard Disk | D2643A |
| SCSI 430 MB Hard Disk | D1699A |
| SCSI 430 MB Hard Disk | D2644A |
| SCSI 1000 MB Hard Disk | D2645A |
| SCSI 1000 MB Hard Disk | D2653A |
| SCSI 535 MB Hard Disk | D2075A |
| SCSI 1035 MB Hard Disk | D2076A |

Multifunction Controller Boards

| | |
|-----------------------------|--------|
| HP EISA SCSI-2 Host Adapter | D1681A |
|-----------------------------|--------|

Datacomm and LAN Boards

| | |
|--------------------|--------|
| Token-Ring Adapter | D2378A |
|--------------------|--------|

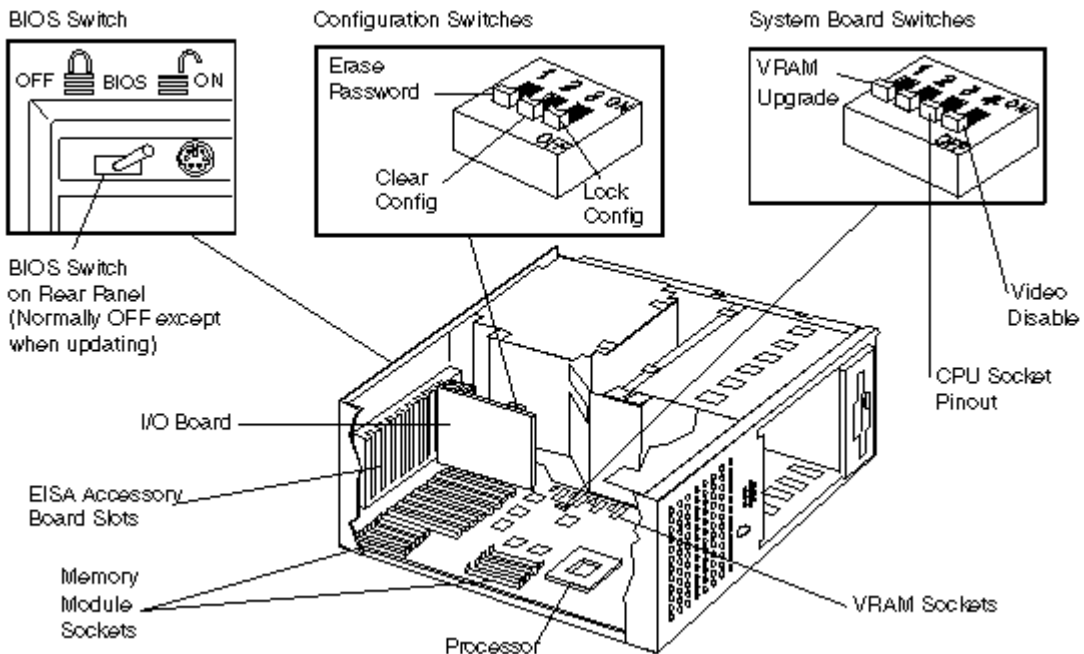
Input Devices

| | |
|-------------------------|--------|
| Mouse (PS/2, Microsoft) | C1413A |
| Keyboard | C1405A |

Video Displays

| | |
|---|------------|
| Monochrome Display | D1181A/W/G |
| VGA Color Display | D1182A/B |
| Monochrome Display | D1192A/B |
| Ultra VGA Color Display 17-inch | D1193A |
| Super VGA Color Display 14-inch | D1194A |
| Ergo Super VGA Color Display 15-inch | D1195A |
| Ergo Ultra VGA Color Display 15-inch | D1196A |
| Color VGA Display | D1197A |
| Ultra VGA 1600 Display | D1199A |
| Monochrome VGA 14-inch Display | D2801A/B |
| Entry-Level SVGA 14-inch Display | D2802A |
| Super VGA 1024i 14-inch Display | D2804A |
| Ergo 1024 14-inch Display | D2805A |
| Ergo Ultra VGA 15-inch Display | D2806A |
| Ultra VGA 1280 17-inch Display | D2807A |
| Super VGA 14-inch Display (Low Emissions) | D2814A |

SYSTEM BOARD, BIOS, AND MEMORY



System Board Switches

| System Board Switches | | | |
|-----------------------|-----|---|---------|
| Switch #* | | Function | Default |
| 1 | OFF | Specifies 512 KB Video Memory installed | OFF |
| | ON | specifies 1 MB Video Memory installed | |
| 2 | OFF | Reserved — do not use | OFF |
| | ON | Reserved — do not use | |
| 3 | OFF | Sets processor socket pinout for: 486DX-33 486DX2-66 DX OverDrive/33 (ODPR 486DX-33) | OFF |
| | ON | Sets processor socket pinout for: SX OverDrive/33 (ODP 486SX-33) DX OverDrive/33 (ODP 486DX-33) | |
| 4 | OFF | Enables built-in video | OFF |
| | ON | Disables built-in video | |

| Configuration Switches | | | |
|------------------------|-----|--|---------|
| Switch # | | Function | Default |
| 1 | OFF | Enables password | OFF |
| | ON | Clears password | |
| 2 | OFF | Enables configuration (validates configuration in memory) | OFF |
| | ON | Clears configuration (invalidates configuration in memory) | |
| 3 | OFF | Unlocks configuration (allows changes) | OFF |
| | ON | Locks configuration (prevents changes) | |

| BIOS Switch | | | |
|-------------|-----|-------------------------------------|---------|
| Switch # | | Function | Default |
| 1 | OFF | Locks BIOS (no write) | OFF |
| | ON | Unlocks BIOS (writable) for updates | |

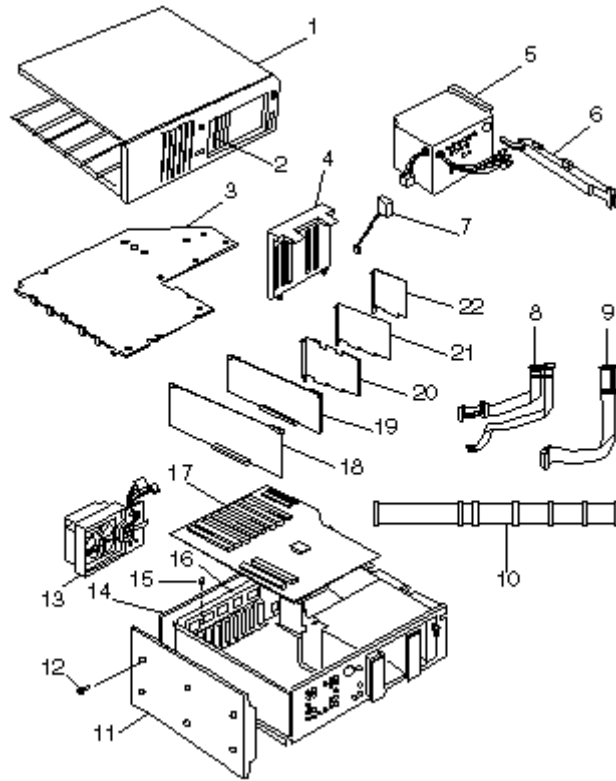
SETUP AND BIOS HISTORY

SAM version "D.xx.xx" is used on Vectra 486ST PCs

| BIOS Ver. | Date | Description | Kit Part No. | Min Setup |
|---------------------------|--------|----------------|------------------------|----------------------|
| HP Vectra 486ST PC | | | | |
| R.01.00 | Aug 92 | First release | D2635-89011 | SAM* version R.01.00 |
| R.04.01 | Feb 93 | Second release | Available on HP PC BBS | |

*System Administrator Manager on Vectra 486ST PCs.

PART NUMBERS



Parts List for HP Vectra 486/33ST and 486/66ST PCs

| <u>Item</u> | <u>Description</u> | <u>Replacement Part Number</u> | <u>Exchange Part Number</u> |
|-------------|---|--------------------------------|-----------------------------|
| 1 | Top Cover | D2635-60014 | — |
| 2 | Front Bezel Insert: | | |
| | Small Insert | D1612-40005 | |
| | Large Insert | D1612-40011 | |
| 3 | RFI Shield Assembly | D2635-60031 | |
| 4 | Board Guide | 45945-40005 | |
| 5 | Power Supply | 0950-2194 | 5062-6978 |
| 6 | Power Switch Shaft | D1612-40008 | |
| 7 | Battery Pack | 1420-0513 | |
| 8 | Hard Disk Cable: | | |
| | Hard Disk Cable (for 2nd ESDI/ST-506 drive) | 5061-8981 | |
| | Hard Disk Cable (for IDE drive) | D2635-60024 | |
| 9 | Flexible Disk Drive Cable, 3.5 & 5.25-inch | 5181-5623 | |
| 10 | Hard Disk Cable (SCSI drive)* | 5062-5579 | |
| | Vectra 486ST Hard Disk Cable** (SCSI drive) | D2635-60026 | |
| 11 | Vectra 486ST Base | D2635-60021 | |
| 12 | 10 - 32 Base Screws | 2680-0099 | |
| 13 | Fan/Speaker/Keylock Assembly | D2635-60017 | |

| | | |
|----|-----------------------------|----------------------------------|
| 14 | Rear Bezel Assembly | D2635-40005 |
| 15 | Accessory Slot Screw | 2680-0311 |
| 16 | Chassis Assembly | D2635-60015 |
| 17 | System Board | See PC's system board parts list |
| 18 | Processor Board | See PC's system board parts list |
| 19 | Memory Board | See PC's system board parts list |
| 20 | Disk Controller Board | See PC's system board parts list |
| | Datacomm Controller Boards: | |
| 21 | Parallel/Serial Board | See PC's system board parts list |
| 22 | Mouse/Keyboard Board | See PC's system board parts list |
| | Nameplates | |
| | HP Vectra 486/33ST Logo | D2635-80013 |
| | HP Vectra 486/66ST Logo | D2635-80014 |

*The SCSI disk activity light cable is built into the computer.

**Terminated cable used for non-terminated devices.

System Board Parts List for HP Vectra 486/33ST and 486/66ST PCs

| <u>Description</u> | <u>Replacement Part Number</u> | <u>Exchange Part Number</u> |
|---|--------------------------------|-----------------------------|
| System Board (includes integrated IDE disk and Ultra VGA+ controller): | | |
| Vectra 486ST System Board | D2635-68005 | |
| I/O Board | D2535-65023 | |
| Disk Controller Boards (slot 8): | | |
| HP EISA SCSI Host Adapter (D2649A) | 1150-1920 | 1150-1921 |
| Processors: | | |
| 486 33 MHz (486/33ST) | 1820-7615 | |
| 486 66 MHz (486/66ST) | 1821-0859 | |
| Main Memory Modules: | | |
| 2 MB Main Memory Module | D2381-63001 | |
| 8 MB Main Memory Module (36-bit) | 1818-4702 | D2152-69001 |
| Video Memory Modules: | | |
| 512 KB Video Memory kit (D2326A) | 41818-5183 | |
| BIOS ROM: | D2635-89011 | |

Support Manuals for HP Vectra 486/33ST and 486/66ST PCs

| | |
|---|-----------------|
| Familiarization Guide | D2635+49A-90001 |
| Technical Reference Manual: Hardware and BIOS | D2635-90002 |

Part Numbers for HP Utility Diskettes (3.5-inch disks only)

| <u>Description</u> | <u>Rev</u> | <u>Date Code</u> | <u>Part #</u> | <u>Info.</u> |
|----------------------------------|------------|------------------|-----------------------------|--------------|
| SAM, EISA-CONFIG, HPVIEW disk | D.01.00 | - | Refer to HP Internal BBS | Kit |
| EXMODE, PRINTCFG disk | B.00.04 | | | |
| HPUpdate disk | Ver. 1-2 | | Refer to HP Internal BBS | |
| DOS, NetWare utilities | | | | Kit |
| Ultra VGA+ drivers | | | Refer to HP Internal BBS | Kit |

10 HP VECTRA 486S/20 PC

MODELS AND ACCESSORIES

| <u>Product Number</u> | <u>Flexible Drive A:</u> | <u>Hard Drive C:</u> | <u>Disk Controller</u> | <u>Video Controller</u> | <u>Std. RAM</u> |
|---|--------------------------|----------------------|----------------------------------|-----------------------------|-----------------|
| Vectra 486s PC | | | | | |
| HP Vectra 486s/20 PC (CPL: 11/91; discontinued: 03/93) | | | | | |
| D2260A | 1.44 MB (D2035A) | None | Integrated IDE Interface | Ultra VGA Board (D2325A) | 4 MB |
| D2261A | 1.2 MB (D2036A) | | | | |
| D2262A | 1.44 MB (D2035A) | 120 MB (D1696A) | | | |
| D2263A | | 240 MB (D1697A) | | | |
| HP Vectra 486s/20 PC (CPL: 11/91; discontinued: 03/93) | | | | | |
| D2264A | 1.44 MB (D2035A) | 430 MB (D1699A) | SCSI-2 Host Adapter D1681A | Ultra VGA Board (D2325A) | 4 MB |
| D2265A Turbo* | | 120 MB (D1696A) | Integrated IDE Interface | | |

*Model D2265A includes a 487SX math coprocessor.

SUPPORTED ACCESSORIES

| | |
|--|---------|
| 1 MB Main Memory Upgrade kit | D2150A |
| 2 MB Main Memory Upgrade kit | D2381A |
| 4 MB Main Memory Upgrade kit | D2156A |
| 8 MB Main Memory Upgrade kit | D2152A |
| Setup Kit (<i>Setting Up</i> manual and diskettes) | D2165A |
| 486s/20 PC OverDrive/20 Processor Upgrade (40 MHz) | D2170A* |
| Note: Upgrade BIOS to M.03.01 before installing Overdrive processor | |
| System Board Upgrade Kits (see 486U PCs) | |

Video Displays

| | |
|---|------------|
| Monochrome Display | D1181A/W/G |
| VGA Color Display | D1182A/B |
| Monochrome Display | D1192A/B |
| Ultra VGA Color Display 17-inch | D1193A |
| Super VGA Color Display 14-inch | D1194A |
| Ergo Super VGA Color Display 15-inch | D1195A |
| Ergo Ultra VGA Color Display 15-inch | D1196A |
| Color VGA Display | D1197A |
| Ultra VGA 1600 Display | D1199A |
| Monochrome VGA 14-inch Display | D2801A/B |
| Entry-Level SVGA 14-inch Display | D2802A |
| Super VGA 1024i 14-inch Display | D2804A |
| Ergo 1024 14-inch Display | D2805A |
| Ergo Ultra VGA 15-inch Display | D2806A |
| Ultra VGA 1280 17-inch Display | D2807A |
| Super VGA 14-inch Display (Low Emissions) | D2814A |

Video Boards

| | |
|--------------------|----------|
| HP Ultra VGA Board | D2325A/B |
|--------------------|----------|

Multifunction Controller Boards

| | |
|-----------------------------|--------|
| HP EISA SCSI-2 Host Adapter | D1681A |
|-----------------------------|--------|

Mass Storage

| | |
|--|--------|
| Flexible Disk 1.44 MB 3-1/2 inch | D2035A |
| Flexible Disk 1.2 MB 5-1/4 inch | D2036A |
| IDE 52 MB Hard Disk | D1694A |
| IDE 120 MB Hard Disk | D1696A |
| IDE 240 MB Hard Disk | D1697A |
| IDE 85 MB Hard Disk | D2329A |
| IDE 170 MB Hard Disk | D2330A |
| SCSI 430 MB Hard Disk | D1699A |
| SCSI 535 MB Hard Disk | D2075A |
| SCSI 1035 MB Hard Disk | D2076A |
| 3.5-inch, h-h, Tray (5 pack) for non-HP hard disk drives (bottom & rear positions) | D2037A |
| 3.5-inch, h-h, Tray (5 pack) for non-HP hard disk drives (front, includes HDD activity light) | D2198A |
| 5.25-inch, h-h, Tray (t pack) for non-HP, flexible disk and tape drives | D2199A |

Datacomm and LAN Boards

Token-Ring Adapter D2378A

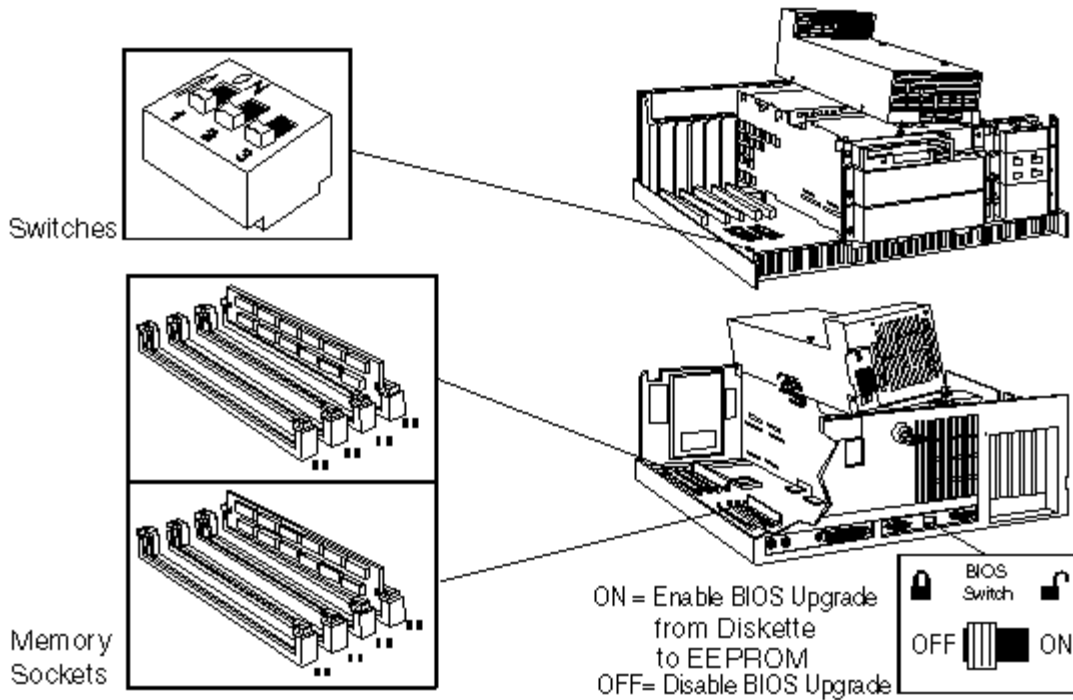
Input Devices

Mouse (PS/2, Microsoft) C1413A

Keyboard C1405B

*Upgrade BIOS to M.03.01 before installing OverDrive processor.

SYSTEM BOARD, BIOS, AND MEMORY



HP Vectra 486s/20 PC System Board Switches

Video Switches

| Switch # | Function | Default |
|----------|--|---------|
| 1 | OFF CMOS stored config information — valid | OFF |
| | ON CMOS stored config information — erased | |
| 2 | OFF Power-on password — enabled | OFF |
| | ON Power-on password — disabled | |
| 3 | OFF Security mode — enabled | OFF |
| | ON Security mode — disabled | |

SETUP AND BIOS HISTORY

SAM version "B.xx.xx" is used on Vectra 486s/20 PC.

| <u>BIOS Ver.</u> | <u>Date</u> | <u>Description</u> | <u>Kit Part No.</u> | <u>Min Setup</u> |
|-----------------------------|-------------|------------------------------|---------------------|------------------|
| Vectra 486s PC | | | | |
| HP Vectra 486s/20 PC | | | | |
| M.03.00 | Oct 91 | First release | 1818-5383 | SAM* version |
| M.03.01 | Jun 92 | Fixes disk and hang problems | | B.00.01 |

*System Administration Manager on Vectra 486S and 486U PC Series.

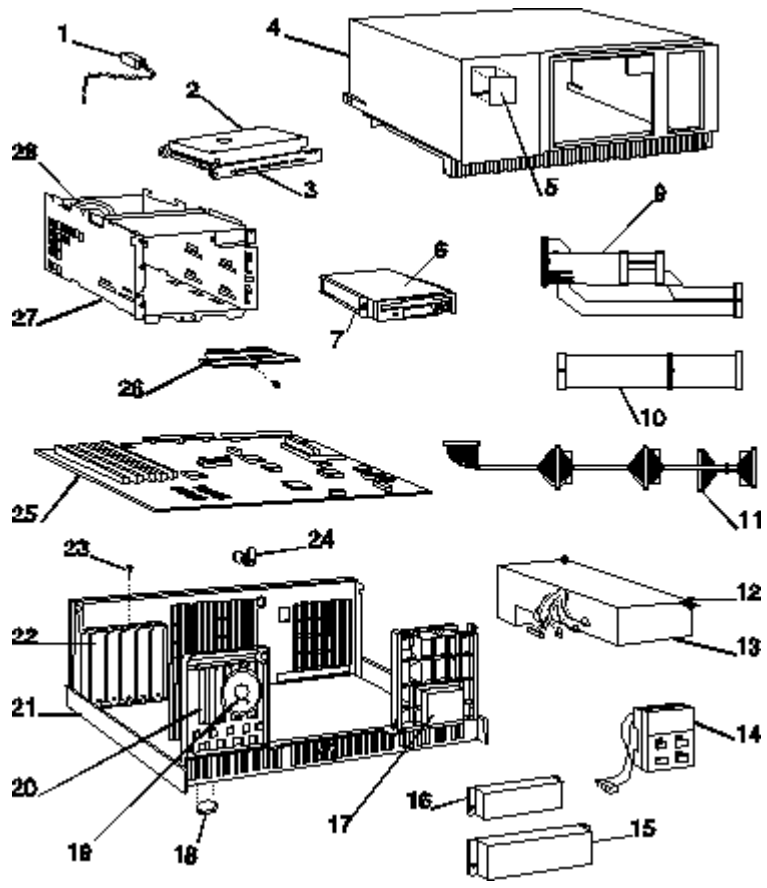
MAIN MEMORY

| <u>TOTAL mem of:</u> | <u>Install Memory Modules in:</u> | <u>Using These modules:</u> |
|----------------------|-----------------------------------|--|
| 4 MB | A1, A2 | Two 2 MB modules (standard) |
| 6 MB | A1, A2 B1, B2 | Two 2 MB modules and two 1 MB modules |
| 8 MB | A1, A2, B1, B2, B3, B4 | Two 2 MB modules and four 1 MB modules |
| or 8 MB | A1, A2, A3, A4 | Four 2 MB modules |
| 10 MB | A1, A2, A3, A4, B1, B2 | Four 2 MB modules and two 1 MB modules |
| 12 MB | A1, A2, A3, A4, B1, B2 | Six 2 MB modules |
| or 12 MB | A1, A2, A3, A4, B1, B2, B3, B4 | Four 2 MB modules and four 1 MB modules |
| or 12 MB* | A1, A2 B1, B2 | Two 4 MB modules and two 2 MB modules |
| 16 MB | A1, A2, A3, A4, B1, B2, B3, B4 | Eight 2 MB modules |
| or 16 MB* | A1, A2 B1, B2, B3, B4 | Two 4 MB modules and four 2 MB modules |
| 20 MB* | A1, A2, A3, A4 B1, B2 | Four 4 MB modules and two 2 MB modules |
| or 20 MB* | A1, A2, B1, B2 | Two 8 MB modules and two 2 MB modules |
| 24 MB* | A1, A2, A3, A4 B1, B2, B3, B4 | Four 4 MB modules and four 2 MB modules |
| or 24 MB* | A1, A2 B1, B2, B3, B4 | Two 8 MB modules and four 2 MB modules |
| or 24 MB** | A1, A2, A3, A4, B1, B2 | Six 4 MB modules |
| 32 MB** | A1, A2, A3, A4, B1, B2, B3, B4 | Eight 4 MB modules |
| or 32 MB** | A1, A2 B1, B2, B3, B4 | Two 8 MB modules and four 4 MB modules |
| 36 MB* | A1, A2, A3, A4 B1, B2 | Four 8 MB modules and two 2 MB modules |
| 40 MB | A1, A2, A3, A4, B1, B2, B3, B4 | Eight 8 MB modules |
| or 40 MB** | A1, A2, A3, A4 B1, B2, | Four 8 MB modules and two 4 MB modules |

| <u>TOTAL mem of:</u> | <u>Install Memory Modules in:</u> | <u>Using These modules:</u> |
|----------------------|-----------------------------------|--|
| 48 MB** | A1, A2, A3, A4 B1, B2, B3, B4 | Four 8 MB modules and four 4 MB modules |
| or 48 MB** | A1, A2, A3, A4, B1, B2 | Six 8 MB modules |
| 64 MB** | A1, A2, A3, A4, B1, B2, B3, B4 | Eight 8 MB modules |

*Move the original 2 MB modules in A1 and A2 to another bank.
 **Remove the original 2 MB modules in A1 and A2.

PART NUMBERS



Parts List for HP Vectra 486x/20 PC

| <u>Item</u> | <u>Description</u> | <u>Replacement Part Number</u> | <u>Exchange Part Number</u> |
|-------------|---|--|-----------------------------|
| 1 | Battery | 1420-0513 | — |
| 2 | Hard Disk Drive | | |
| | 120 MB | D1696-60007 | D1696-69003 |
| | 240 MB | D1697-60009 | D1697-69007 |
| | 430 MB | D1699-60002 | D1699-69001 |
| 3 | 3.5-inch, h-h, Tray (5 pack) for non-HP hard disk drives: | | |
| | Bottom & rear positions | Order product number D2037A | |
| | Front, with HDD activity light | Order product number D2198A | |
| 4 | Top Cover-Bezel Assembly | 5062-5593 | — |
| 5 | Nameplate | | |
| | HP Vectra 486s/20 Logo | 5041-1064 | — |
| 6 | 3.5-inch 1.44 MB Flexible Disk Drive | See disk drive parts list | |
| 7 | Mounting Rails for 3.5-inch non-HP Disk Drives | 5063-0309 | — |
| 7 | Middle External Flexible Disk Drive | See disk drive parts list | |
| 8 | 5.25-inch, h-h, Tray (5 pack) for non-HP, flexible disk and tape drives | Order product number D2199A (updated version of D2038A) | |
| 9 | Flexible Disk Drive Cable, 3.5 & 5.25-inch | 5181-0391 | — |
| 10 | Hard Disk Cable (IDE drive) | 5181-0392 | — |
| 11 | Hard Disk Cable (SCSI drive) | 5181-0397 | |
| | SCSI Disk Activity Light Cable (supplied with SCSI drive) | 5181-5684 | |
| 12 | Snap Fastener | 1390-0882 | |
| 13 | Power Supply Assembly | 5063-0339 | |
| 14 | Status (Control) Panel | 5062-5600 | |
| 15 | Filler Panel, 5.25-inch | 5062-5597 | |
| 16 | Filler Panel, 3.5-inch | 5062-5595 | |
| 17 | Control Panel Filler Assembly | 5063-0303 | |
| 18 | Bumper Foot | 5181-0394 | |
| 19 | Speaker Assembly | 02620-60016 | |
| 20 | Board Guide Assembly | 5041-1066 | |
| 21 | Base | 5062-5592 | |
| 22 | I/O panel, Blank | 45935-00004 | |
| 23 | Screw, 6-32 Pilot Point | 0624-0727 | |
| 24 | Keylock Assembly | 5062-5599 | |
| 25 | System Board | See PC's system board parts list | |
| 26 | Retainer Assembly (Bottom Disk) | 5001-6853 | |
| 27 | Bridge/Lid Assembly | 5063-0306 | |
| 28 | Fan Assembly | 5063-0307 | |

System Board Parts List for HP Vectra 486s/20 PC

| <u>Description</u> | <u>Replacement Part Number</u> | <u>Exchange Part Number</u> |
|--|--------------------------------|-----------------------------|
| System Board (includes integrated IDE disk controller): | | |
| Vectra 486S/20 System Board | D2260-63001 | D2260-69001 |
| Video Board (slot 5): Ultra VGA (D2325A/B) | D2325-63009 | |
| Disk Controller Boards (slot 4): | | |
| HP EISA SCSI Host Adapter (D1681A) | 1150-1920 | 1150-1921 |
| Processor: 486SX 20 MHz | 1820-8911 | |
| Processor Upgrade: | | |
| OverDrive/20 (486 DX2/40) upgrade kit | D2170A | |
| Coprocessor: 487SX 20 MHz | 1820-8912 | |
| Main Memory Modules: | | |
| 1 MB Main Memory Module | 1818-4709 | D2150-69001 |
| 2 MB Main Memory Module | D2381-63001 | - |
| 4 MB Main RAM Memory Module | 1818-4703 | D2156-69001 |
| 8 MB Main RAM Memory Module (36-bit) | 1818-4702 | D2152-69001 |
| BIOS ROM Kit | 1818-5383 | |
| BIOS Update (Utility kit) | D2165-60001 | |

Support Manuals for HP Vectra 486s/20 PC

| | |
|---|-----------------|
| Familiarization Guide (Dealer version: D2260-49A-0) | D2260+49A-60001 |
| Technical Reference Manual: Hardware and BIOS | D2166-90001 |

Part Numbers for HP Utility Diskettes

| <u>Description</u> | <u>Rev</u> | <u>Date Code</u> | <u>Part #</u> | <u>Info.</u> |
|---|--------------------|------------------|---------------|--------------|
| 3.5-inch disk SAM, EISA-CONFIG HPUpdate, BIOS ver | B.00.02 M.03.01 | | D2165-60001 | Kit |
| 5.25-inch disk SAM, EISA-CONFIG HPUpdate | | | D2165-60002 | Kit |

11 HP VECTRA 486U PC SERIES

MODELS AND ACCESSORIES

| <u>Product Number</u> | <u>Flexible Drive A:</u> | <u>Hard Drive C:</u> | <u>Disk Controller</u> | <u>Video Controller</u> | <u>Std. RAM</u> |
|--|--------------------------|----------------------|------------------------|-------------------------|-----------------|
| Vectra 486U PC Series | | | | | |
| HP Vectra 486/25U PC (CPL: 06/92) | | | | | |
| D2266A | 1.44 MB | None | Integrated IDE | Integrated Ultra | 4 MB |
| D2268A* | (D2035A) | 120 MB | Interface | VGA+ (512 KB, | |
| D2268B** | | (D1696A) | | upgradeable to | |
| D2269A* | | 240 MB | | 1 MB) | |
| D2269B2 | | (D1697A) | | | |
| HP Vectra 486/33U PC (CPL: 06/92) | | | | | |
| D2272A | 1.44 MB | None | Integrated IDE | Integrated Ultra | 4 MB |
| D2274A* | (D2035A) | 120 MB | Interface | VGA+ (512 KB, | |
| D2274B** | | (D1696A) | | upgradeable to | |
| D2275A* | | 240 MB | | 1 MB) | |
| D2275B** | | (D1697A) | | | |
| HP Vectra 486/50U PC (CPL: 06/92) | | | | | |
| D2278A | 1.44 MB | None | Integrated IDE | Integrated Ultra | 4 MB |
| D2280A* | (D2035A) | 240 MB | Interface | VGA+ (512 KB, | |
| D2280B** | | (D1697A) | | upgradeable to | |
| D2281A | | 430 MB | SCSI-2 Host | 1 MB) | |
| | | (D1699A) | Adapter | | |
| | | | (D1681A) | | |
| HP Vectra 486/66U PC (CPL: 10/92) | | | | | |
| D2284A | 1.44 MB | None | Integrated IDE | Integrated Ultra | 4 MB |
| D2286A* | (D2035A) | 240 MB | Interface | VGA+ (512 KB, | |
| D2286B** | | (D1697A) | | upgradeable to | |
| D2287A | | 430 MB | SCSI-2 Host | 1 MB) | |
| | | (D1699A) | Adapter | | |
| | | | (D1681A) | | |

*Discontinued: 1/93

**Models D22xxB include DOS 5.0, Windows 3.1, and HP Dashboard

SUPPORTED ACCESSORIES

| | |
|--|--------|
| 2 MB Main Memory Upgrade kit | D2381A |
| 8 MB Main Memory Upgrade kit | D2152A |
| 512 KB Video Memory Upgrade kit | D2326A |
| <i>Setup Kit</i> (setting up manual and diskettes) | D2071A |

System Board upgrades

| | |
|---|--------|
| 386s PC or 486s/20 PC System Board Upgrade to 486/25U | D2173A |
| 386s PC or 486s/20 PC System Board Upgrade to 486/33U | D2174A |
| 386s PC or 486s/20 PC System Board Upgrade to 486/50U | D2175A |
| 386s PC or 486s/20 PC System Board Upgrade to 486/66U | D2176A |

Processor upgrade

| | |
|---|--------|
| 486U Processor Upgrade to 486DX/33 (33 MHz) | D2169A |
|---|--------|

Input Devices

| | |
|-------------------------|--------|
| Mouse (PS/2, Microsoft) | C1413A |
| Keyboard | C1405B |

Video Displays

| | |
|---|------------|
| Monochrome Display | D1181A/W/G |
| VGA Color Display | D1182A/B |
| Monochrome Display | D1192A/B |
| Ultra VGA Color Display 17-inch | D1193A |
| Super VGA Color Display 14-inch | D1194A |
| Ergo Super VGA Color Display 15-inch | D1195A |
| Ergo Ultra VGA Color Display 15-inch | D1196A |
| Color VGA Display | D1197A |
| Ultra VGA 1600 Display | D1199A |
| Monochrome VGA 14-inch Display | D2801A/B |
| Entry-Level SVGA 14-inch Display | D2802A |
| Super VGA 1024i 14-inch Display | D2804A |
| Ergo 1024 14-inch Display | D2805A |
| Ergo Ultra VGA 15-inch Display | D2806A |
| Ultra VGA 1280 17-inch Display | D2807A |
| Super VGA 14-inch Display (Low Emissions) | D2814A |

Multifunction Controller Boards

| | |
|-----------------------------|--------|
| HP EISA SCSI-2 Host Adapter | D1681A |
|-----------------------------|--------|

Multimedia Products

| | |
|----------------------|--------|
| HP Sound DSP 16 | D2941A |
| HP Integrated Office | D2887A |

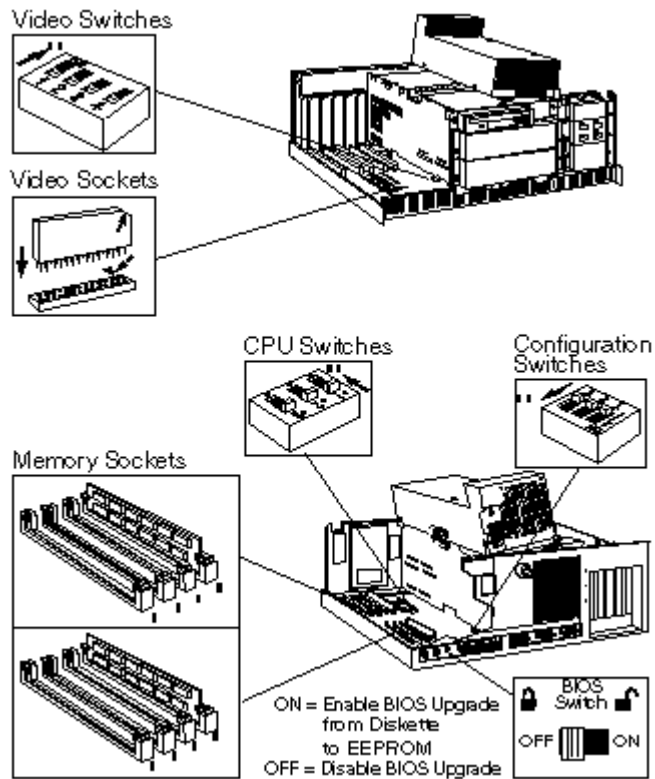
Mass Storage

| | |
|---|--------|
| Flexible Disk 1.44 MB 3-1/2 inch | D2035A |
| Flexible Disk 1.2 MB 5-1/4 inch | D2036A |
| IDE 52 MB Hard Disk | D1694A |
| IDE 120 MB Hard Disk | D1696A |
| IDE 240 MB Hard Disk | D1697A |
| IDE 85 MB Hard Disk | D2329A |
| IDE 170 MB Hard Disk | D2330A |
| SCSI 430 MB Hard Disk | D1699A |
| SCSI 535 MB Hard Disk | D2075A |
| SCSI 1035 MB Hard Disk | D2076A |
| 3.5-inch, h-h, Tray (5 pack) for non-HP hard disk drives | D2037A |
| 5.25-inch, h-h, Tray (5 pack) for non-HP, flexible disk and tape drives | D2038A |

Datacomm and LAN Boards

| | |
|--------------------|--------|
| Token-Ring Adapter | D2378A |
|--------------------|--------|

SYSTEM BOARD, BIOS, AND MEMORY



HP Vectra 486U PC Series System Board Switches

Video Switches

| Switch # | Function | Default | |
|----------|----------|---|-----|
| 1 | OFF | Specifies 512 KKB Video Memory installed | OFF |
| | ON | Specifies 1 MB Video Memory installed | |
| 2/3 | OFF | Reserved — do not use | OFF |
| | ON | Reserved — do not use | |
| 4 | OFF | Enables built-in video | OFF |
| | ON | Disables built-in video | |

Configuration Switches

| Switch # | Function | Default | |
|----------|----------|--|-----|
| 1 | OFF | Enables configuration (validates configuration in memory) | OFF |
| | ON | Clears configuration (invalidates configuration in memory) | |
| 2 | OFF | Enables password | OFF |
| | ON | Clears password | |
| 3 | OFF | Unlocks configuration (allows changes) | ON* |
| | ON | Locks configuration (prevents changes) | |

BIOS Switch

| Switch # | Function | Default | |
|----------|----------|--|-----|
| 1 | OFF | Locks BIOS (no write) | OFF |
| | ON | Unlocks BIOS (writable) should always be locked except to update | |

CPU Switches see next table

| Switch # | Function | Default | |
|----------|----------|--|-------|
| 1 | OFF | Sets upgrade socket for 487SX type pinout | OFF |
| | ON | Sets upgrade socket for 486DX/DX2 type pinout | |
| 2 | OFF | Enables Primary Processor except when an SX type processor is installed in the upgrade socket | OFF |
| | ON | Disables Primary processor | |
| 3 | OFF | 25 MHz Local Bus Speed | OFF** |
| | ON | 33 MHz Local Bus speed | |

*Leave in the ON position except when making configuration changes.

**CPU Switch 3 determines the speed for both processor sockets (switches 1 and 2 determine the active processor).

CPU Switches-settings for Processor Upgrades

| <u>To install this upgrade processor:</u> | <u>Set the CPU Switches to:</u> | | | <u>You will have upgraded this computer to:</u> |
|--|---------------------------------|----------|----------|---|
| | <u>1</u> | <u>2</u> | <u>3</u> | |
| 487SX Coprocessor (Vectra 486/25U only) | OFF | OFF | OFF | Vectra 486/25U with coprocessor |
| 486DX-33 | ON | ON | ON | Vectra 486/33U |
| 486DX2-50 (A80486DX2-50) | ON | ON | OFF | Vectra 486/50U |
| 486DX2-66 (A80486DX2-66) | ON | ON | ON | Vectra 486/66U |
| SX OverDrive/25 (ODP 486SX-25) | OFF | ON | OFF | Vectra 486/50U |
| SX OverDrive/33 (ODP 486SX-33) | OFF | ON | ON | Vectra 486/66U |
| DX OverDrive/25 (ODPR 486DX-25) | ON | ON | OFF | Vectra 486/50U |
| DX OverDrive/33 (ODPR 486DX-33) | ON | ON | ON | Vectra 486/66U |
| DX Overdrive/33 (ODP 486DX-33) | OFF | ON | ON | Vectra 486/66U |

SETUP AND BIOS HISTORY

SAM version "C.xx.xx" is used on Vectra 486U PCs.

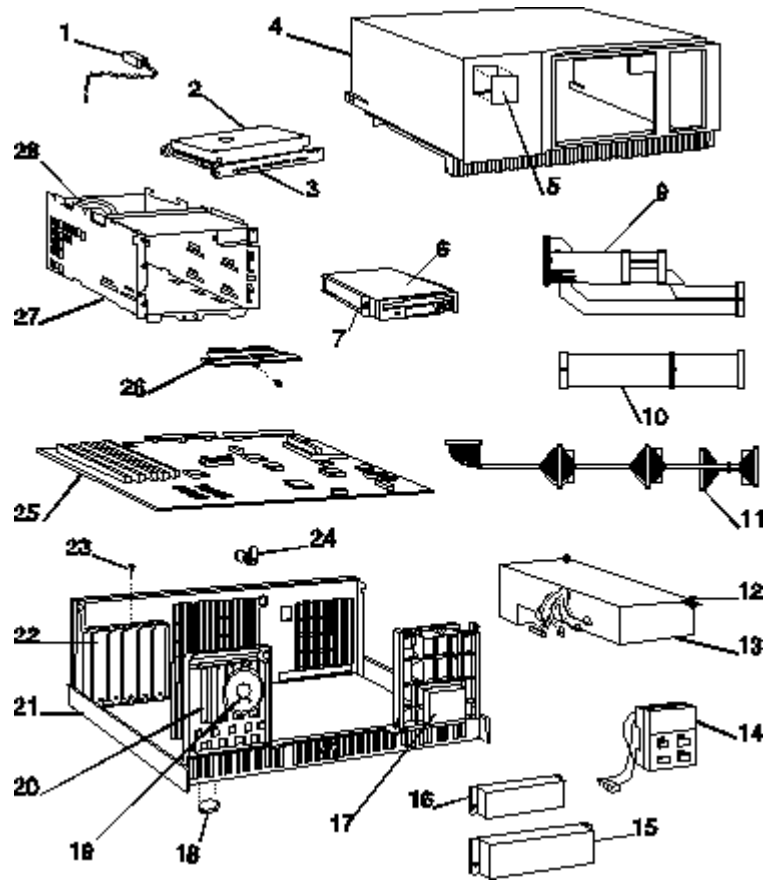
| <u>BIOS Ver.</u> | <u>Date</u> | <u>Description</u> | <u>Kit Part No.</u> | <u>Min Setup</u> |
|---------------------------------|-------------|------------------------------|------------------------------------|----------------------------|
| Vectra 486U PC Series | | | | |
| HP Vectra 486U PC Series | | | | |
| P.04.00 | June 92 | First release | Available on HP PC Internal BBS | SAM* version C.00.02 |
| P.04.02 | Jun 92 | Fixes disk and hang problems | | |
| P.04.04 | Feb 93 | Fixes security problems | | |

*System Administration Manager on Vectra 486S and 486U PC Series.

VIDEO MEMORY

The HP Vectra 486U PC Series is supplied with 512 KB of video RAM for 1024 x 768 in 16 colors. An additional 512 KB of video RAM can be installed in four video sockets (to make a total of 1 MB Video Memory). If additional memory is added, all four sockets must be filled.

PART NUMBERS



Parts List for HP Vectra 486U PC Series

| <u>Item</u> | <u>Description</u> | <u>Replacement Part Number</u> | <u>Exchange Part Number</u> |
|-------------|---|--------------------------------|-----------------------------|
| 1 | Battery (optional on 486U) | 1420-0513 | — |
| 2 | Hard Disk Drive (standard): | | |
| | 120 MB | D1696-60007 | D1696-69003 |
| | 240 MB | D1697-60009 | D1697-69007 |
| | 430 MB | D1699-60002 | D1699-69001 |
| 3 | 3.5-inch, h-h, Tray (5pack) for non-HP hard disk drives | Order product number D2037A | |
| 4 | Top Cover-Bezel Assembly | 5062-5593 | — |
| 5 | Nameplate (logo) | See PC's parts list | |
| 6 | 3.5-inch 1.44 MB Flexible Disk Drive | D2035-63021 | — |
| 7 | Mounting Rails for 3.5-inch non-HP Disk Drives | 5063-0309 | — |
| 8 | 5.25-inch, h-h, Tray (5 pack) for non-HP, flexible disk and tape drives | Order product number D2038A | |
| 9 | Flexible Disk Drive Cable, 3.5 & 5.25-inch | 5181-0391 | — |
| 10 | Hard Disk Cable (IDE drive) | 5181-0392 | — |

Parts List for HP Vectra 486U PC Series (contd.)

| <u>Item</u> | <u>Description</u> | <u>Replacement Part Number</u> | <u>Exchange Part Number</u> |
|-------------|---|----------------------------------|-----------------------------|
| 11 | Hard Disk Cable (SCSI drive) | 5181-0397 | — |
| | SCSI Disk Activity Light Cable (supplied with SCSI drive) | 5181-5684 | — |
| 13 | Power Supply Assembly | 5063-0339 | — |
| 14 | Status (Control) Panel | 5062-5600 | — |
| 15 | Filler Panel, 5.25-inch | 5062-5597 | — |
| 16 | Filler Panel, 3.5-inch | 5062-5595 | — |
| 17 | Control Panel Filler Assembly | 5063-0303 | — |
| 18 | Bumper Foot | 5181-0394 | — |
| 19 | Speaker Assembly | 02620-60016 | — |
| 20 | Board Guide Assembly | 5041-1066 | — |
| 21 | Base | 5062-5592 | — |
| 22 | I/O panel, Blank | 45935-00004 | — |
| 23 | Screw, 6-32 Pilot Point | 0624-0727 | — |
| 24 | Keylock Assembly | 5062-5599 | — |
| 25 | System Board | See PC's system board parts list | |
| 26 | Retainer Assembly (Bottom Disk) | 5001-6853 | — |
| 27 | Bridge/Lid Assembly | 5063-0306 | — |
| 28 | Fan Assembly | 5063-0307 | — |
| | Snap Fastener for Fan Assembly | 1390-0882 | — |
| | Nameplate | | |
| | HP Vectra 486/25U Logo | 5041-6376 | |
| | HP Vectra 486/33U Logo | 5041-6377 | |
| | HP Vectra 486/50U Logo | 5041-6372 | |
| | HP Vectra 486/66U Logo | 5041-6373 | |

System Board Parts List for HP Vectra 486U PC Series

| <u>Description</u> | <u>Replacement Part Number</u> | <u>Exchange Part Number</u> |
|--|--------------------------------|-----------------------------|
| System Board (includes integrated IDE disk and Ultra VGA controller): | | |
| Vectra 486/25U System Board | D2266-63001 | D2266-69001 |
| Vectra 486/33U System Board | D2272-63001 | D2272-69001 |
| Vectra 486/50U System Board | D2272-63001 | D2272-69001 |
| Vectra 486/66U System Board | D2272-63001 | D2272-69001 |
| Disk Controller Boards (slot 4): | | |
| HP EISA SCSI-2 Host Adapter (D1681A) | 1150-1920 | 1150-1921 |
| Processors: | | |
| 486DX 33 MHz | 1820-7615 | |
| 486SX 25 MHz | 1821-0304 | |
| 486DX2 50 MHz | 1821-0303 | |
| 486DX2 66 MHz | 1821-0859 | |
| Processor Filter Board (486/66U) | D2284-60002 | |

System Board Parts List for HP Vectra 486U PC Series (contd.)

| <u>Description</u> | <u>Replacement Part Number</u> | <u>Exchange Part Number</u> |
|--|--------------------------------|-----------------------------|
| Coprocessor: 487SX 25 MHz (486/25U) | No HP part available | |
| DRAM Memory Modules: | | |
| 2 MB Memory Module | D2381-63001 | |
| 8 MB RAM Memory Module (36 bit) | 1818-4702 | D2152-69001 |
| VRAM Memory Modules: | | |
| 512 KB kit (D2326A) | 41818-5183 | |
| BIOS ROM Kit | 1818-5434 | |
| BIOS Update disks* | | |
| Heatsink (486/50U & 486/66U only) | 1205-0855 | |
| Heatsink Clip | 1205-0854 | |
| 8742 Keyboard Controller | 1821-0269 | |

*BIOS update disks available on HP PC BBS.

Support Manuals for HP Vectra 486U PC Series

| | |
|---|------------------|
| Familiarization Guide | D2266A+49A-60001 |
| Technical Reference Manual: Hardware and BIOS | D2168-90001 |

Part Numbers for HP Utility Diskettes

| <u>Description</u> | <u>Rev</u> | <u>Date Code</u> | <u>Part #</u> | <u>Info.</u> |
|---|------------|------------------|--------------------------|---------------|
| Vectra 486U PC Series Kits (3.5-inch disks only): | | | | |
| SAM, EISA-CONFIG, HPVIEW disk | | | Refer to HP Internal BBS | |
| EXMODE, PRINTCFG disk | | | | |
| HPUpdate disk | | | | |
| Vectra 486U PC Series UVGA Disk (3.5-inch disks only): | | | | |
| Ultra VGA Drivers | A.01.00 | 3218 | D2325-13004 | UVGA #1 |
| | | | D2325-13005 | UVGA disk #2 |
| | | | D2325-13006 | SCO UNIX disk |

12 HP VECTRA 486N (D26XXA) PC SERIES

MODELS AND ACCESSORIES

| <u>Product Number</u> | <u>Flexible Drive A:</u> | <u>Hard Drive C:</u> | <u>Disk Controller</u> | <u>Video Controller</u> | <u>Std. RAM</u> | <u>LAN Interface</u> |
|--|--------------------------|----------------------|------------------------|---|-----------------|------------------------------------|
| Vectra 486N (D26xxA) PC Series | | | | | | |
| HP Vectra 486/25N (D26xxA) PC (CPL: 10/92; discontinued: 07/93) | | | | | | |
| D2610A | None | None | Integrated | Integrated | 4 MB | None |
| D2611A | 1.44 MB (D2035A) | 85 MB (D2329A) | IDE Interface | Ultra VGA+ (512 KB, upgradeable to 1 MB) | | |
| D2612A | | 170 MB (D2330A) | | | | |
| D2613A | | | | | | |
| D2614A LAN | | 85 MB (D2329A) | | | | Token-Ring board (HP D2378A) |
| D2615A LAN | | | | | | Ethernet board (HP D27247B) |
| HP Vectra 486/33N (D26xxA) PC (CPL: 10/92; discontinued: 07/93) | | | | | | |
| D2620A | None | None | Integrated | Integrated | 4 MB | None |
| D2621A | 1.44 MB (D2035A) | 85 MB (D2329A) | IDE Interface | Ultra VGA+ (512 KB, upgradeable to 1 MB) | | |
| D2622A | | | | | | |
| D2623A | | 170 MB (D2330A) | | | | |
| D2624A LAN | | 85 MB (D2329A) | | | | Token-Ring board (HP D2378A) |
| D2625A LAN | | | | | | Ethernet board (HP D27247B) |
| HP Vectra 486/50N (D26xxA) PC (CPL: 10/92; discontinued: 07/93) | | | | | | |
| D2631A | 1.44 MB (D2035A) | None | Integrated | Integrated | 4 MB | None |
| D2633A | | 170 MB (D2330A) | IDE Interface | Ultra VGA+ (512 KB, upgradeable to 1 MB) | | |
| HP Vectra 486/66N (D26xxA) PC (CPL: 10/92; discontinued: 07/93) | | | | | | |
| D2681A | 1.44 MB (D2035A) | None | Integrated | Integrated | 4 MB | None |
| D2683A | | 170 MB (D2330A) | IDE Interface | Ultra VGA+ (512 KB, upgradeable to 1 MB) | | |

SUPPORTED ACCESSORIES

| | |
|---|--------|
| 512 KB Video Memory Upgrade kit | D2326A |
| 2 MB Main Memory Upgrade kit | D2381A |
| 4 MB Main Memory Upgrade kit | D2156A |
| 8 MB Main Memory Upgrade kit | D2152A |
| 16 MB Main Memory Upgrade kit | D2676A |
| <i>Setting Up Your HP Vectra 486N PC manual and Using Your HP Vectra 486N PC manual</i> | D2675A |

Coprocessor upgrade (a processor fan 5063-0813 must be installed)

| | |
|--|--------|
| 486/25N (D26xxA) PC with 487SX-25 Math Coprocessor | Non-HP |
|--|--------|

Processor upgrade

| | |
|--|--------|
| Processor Upgrade to 486DX-33 (33 MHz) | D2169A |
|--|--------|

Video Displays

| | |
|---|----------|
| Monochrome Display | D1192A/B |
| Ultra VGA Color Display 17-inch | D1193A |
| Super VGA Color Display 14-inch | D1194A |
| Ergo Super VGA Color Display 15-inch | D1195A |
| Ergo Ultra VGA Color Display 15-inch | D1196A |
| Color VGA Display | D1197A |
| Ultra VGA 1600 Display | D1199A |
| Monochrome VGA 14-inch Display | D2801A/B |
| Entry-Level SVGA 14-inch Display | D2802A |
| Super VGA 1024i 14-inch Display | D2804A |
| Ergo 1024 14-inch Display | D2805A |
| Ergo Ultra VGA 15-inch Display | D2806A |
| Ultra VGA 1280 17-inch Display | D2807A |
| Super VGA 14-inch Display (Low Emissions) | D2814A |

Mass Storage

| | |
|----------------------------------|--------|
| Flexible Disk 1.44 MB 3-1/2 inch | D2035A |
| IDE 120 MB Hard Disk | D1696A |
| IDE 240 MB Hard Disk | D1697A |
| IDE 85 MB Hard Disk | D2329A |
| IDE 170 MB Hard Disk | D2330A |
| IDE 170 MB Hard Disk | D2330B |
| IDE 210 MB Hard Disk | D2387A |
| IDE 450 MB Hard Disk | D2884A |
| IDE 340 MB Hard Disk | D2890A |
| SCSI 430 MB Hard Disk | D1699A |

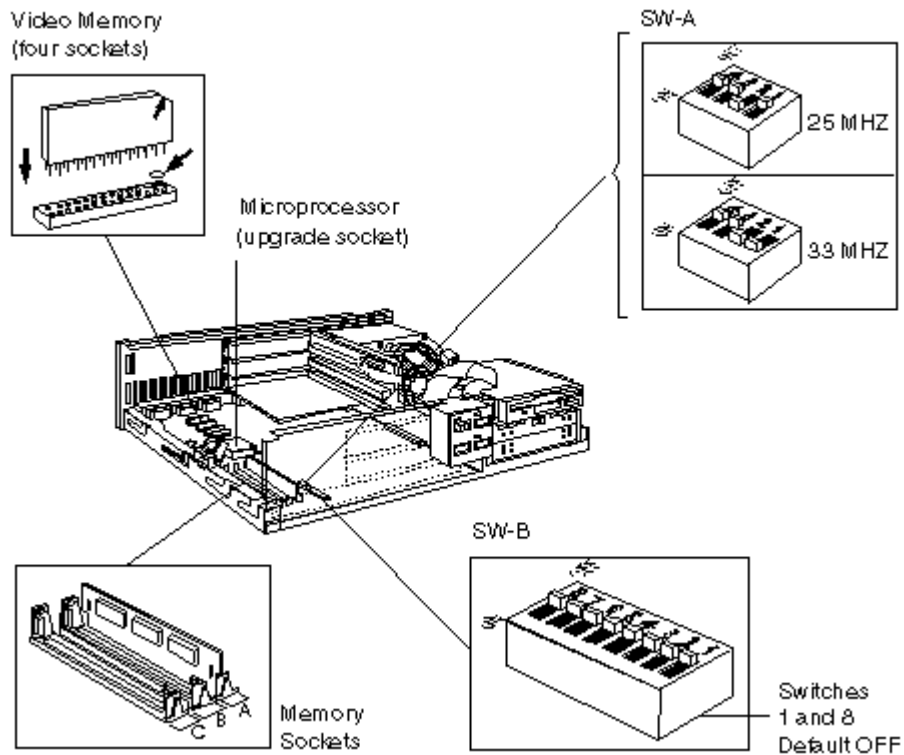
Datacomm and LAN Boards

| | |
|----------------------------|--------|
| Serial Parallel Board | 24540B |
| Dual Serial Board | 24541B |
| Ethertwist PC Link Adapter | 27245A |
| Ethertwist Adapter/16 | 27247A |
| Ethertwist Adapter/16 | 27247B |
| HP ThinLAN Board | 27250A |
| Token-Ring Adapter | D2378A |
| Coaxial LAN Adapter Board | D2746A |

Input Devices

| | |
|------------------------------------|--------|
| Mouse (PS/2, Microsoft) | C1413A |
| Keyboard | C1405B |
| Keyboard - new style (recommended) | C3756A |

SYSTEM BOARD, BIOS, AND MEMORY



System Board Switches - SW-A

| Switch | Function | Default | |
|--------|------------|--|------------|
| 1 | MHZ-1 | Selects the speed of the processor's clock (see Frequency Selection table below) | - |
| 2 | MHZ-2 | | - |
| 3 | OFF | Sets the super I/O controller* I/O port address to 398-399 (hex). | OFF |
| | ON | Sets the super I/O controller* I/O port addresses to 26E-26F (hex). | |
| 4 | OFF | System ROM can be updated using HPROMInit diskette. | OFF |
| | ON | System ROM cannot be updated. | |

*Super I/O controller: the integrated parallel port controller, serial port controller, flexible disk controller, and IDE hard disk interface.

Frequency Selection (SW-A(1) & SW-A(2))

| MHZ-1 | MHZ-2 | Processor External Clock Speed | Used on |
|-------|-------|--------------------------------|-------------------------------|
| OFF | ON | 25 MHz | HP Vectra 486/25N and 486/50N |
| ON | ON | 33 MHz | HP Vectra 486/33N and 486/66N |

System Board Switches - SW-B

| Switch # | Function | Default | |
|----------|------------|---|------------|
| 1 | OFF | Mouse interrupt IRQ 12 — enabled | OFF |
| | ON | Mouse interrupt IRQ 12 — disabled (disable mouse if an accessory board uses IRQ 12) | |
| 2 | OFF | Video interrupt IRQ 9 — disabled | OFF |
| | ON | Video interrupt IRQ 9 — enabled | |
| 3 | OFF | Built-in VGA controller — enabled | OFF |
| | ON | Built-in VGA Controller — disabled (disable built-in video if another video board is used) | |
| 4 | OFF | Passwords — enabled | OFF |
| | ON | Passwords — disabled (erased) | |
| 5 | OFF | EEPROM stored config information — valid | OFF |
| | ON | EEPROM stored config information — erased | |
| 6 | OFF | Security mode — disabled | OFF |
| | ON | Security mode — configuration cannot be changed using Setup | |
| 7 | OFF | If only 512KB of video is available | OFF |
| | ON | If the second 512KB of video memory is installed | |
| 8 | OFF | The first microprocessor — enabled | OFF |
| | ON | If a second microprocessor is installed | |

SETUP AND BIOS HISTORY

Setup version "D.xx.xx" is used on Vectra 486N PCs.

| <u>BIOS Ver.</u> | <u>Date</u> | <u>Description</u> | <u>Kit Part No.</u> | <u>Min Setup</u> |
|--|-------------|--------------------|---------------------------------------|------------------|
| Vectra 486N (D26xxA) PC Series | | | | |
| HP Vectra 486N (D26xxA) PC Series | | | | |
| T.04.02 | Aug 92 | First release | — | D.03.00 |
| T.04.03 | Dec 92 | Second release | 5010-8722* | |
| T.04.04 | April 93 | Third release | Available on HP PC Internal BBS | |

*HPROMInit backup diskette (US Version) for Vectra 486N PC Series.

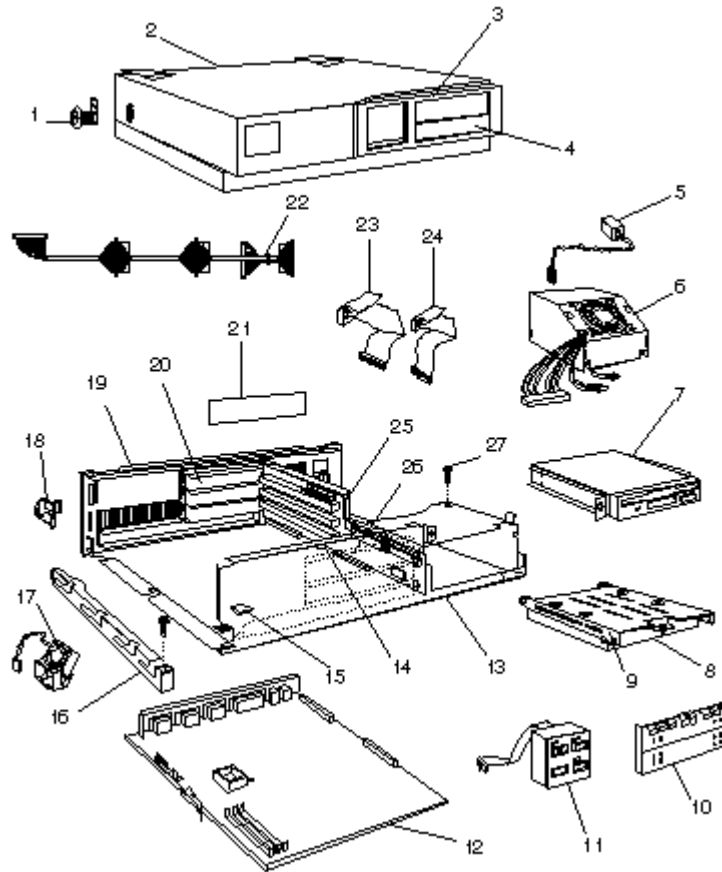
VIDEO MEMORY

The HP Vectra 486N (D26xxA) PC Series is supplied with 512 KB of video RAM for 1024 x 768 in 16 colors. An additional 512 KB of video RAM can be installed in four video sockets (to make a total of 1 MB). for 1024 x 768 in 256 colors If additional video memory is added, all four sockets must be filled.

MAIN MEMORY

The HP Vectra 486N (D26xxA) PC Series has three sockets for main memory modules (labeled A, B, and C). The modules can be installed in *any combination in any of the three sockets*.

PART NUMBERS



Parts List for HP Vectra 486N (D26xxA) PC Series

| <u>Item</u> | <u>Description</u> | <u>Replacement Part Number</u> | <u>Exchange Part Number</u> |
|-------------|---|--------------------------------|-----------------------------|
| 1 | Cover Lock Assembly | 5062-5590 | — |
| 2 | Top Cover-Bezel Assembly (includes items 1, 3, & 4) | 5062-2682 | — |
| 3 | Bezel Insert | 5041-1062 | — |
| 4 | Filler Panel | 5041-2554 | — |
| 5 | Battery | 1420-0513 | — |
| 6 | Power Supply Assembly | 5063-4538 | — |
| 7 | 3.5-inch Disk Drive 1.44 MB | D2035-63021 | — |
| | Mounting Rails for 3.5-inch non-HP Disk Drives | 5063-0309 | — |
| 8 | Hard Disk Drive (standard) | | |
| | 85 MB | D2329-60003 | D2329-69001 |
| | 170 MB | D2330-69003 | D2330-69001 |
| 9 | 3.5-inch, h-h, Tray (5 pack) for non-supported hard disk drives | Order product number D2037A | |
| 10 | Hard Drive RFI Assembly | 5062-2694 | — |

Parts List for HP Vectra 486N (D26xxA) PC Series (contd.)

| <u>Item</u> | <u>Description</u> | <u>Replacement Part Number</u> | <u>Exchange Part Number</u> |
|-------------|--|----------------------------------|-----------------------------|
| 11 | Status (Control) Panel | 5063-0815 | — |
| 12 | System Board | See PC's system board parts list | |
| 13 | Chassis Assembly (Rear Bezel, Bumper Foot, Serial Label, Board Guide, CPU Guide, and Security Bracket) | 5062-2681 | — |
| 14 | System Board Guide | 5041-1063 | — |
| 15 | Bumper Foot | 5181-0394 | — |
| 16 | Side Panel | 5001-4238 | — |
| 17 | Fan — on 486N (D26xxA) and 486N & NI (D27xxA) only | 5063-0813 | — |
| 18 | Security Bracket | 5001-6869 | — |
| 19 | Rear Bezel | 5062-2680 | — |
| 20 | I/O Panel, Blank | 45935-00004 | — |
| 21 | Serial Label | 5181-0395 | — |
| 22 | Hard Disk Cable (SCSI drive) | 5181-0397 | — |
| 23 | Short Flexible Disk Drive Cable, 3.5-inch disk | 5181-9742 | — |
| 24 | Short Hard Disk Cable (IDE drive) | 5181-0385 | — |
| 25 | Backplane Assembly | 5063-0814 | — |
| 26 | Board Guide Assembly | 5041-1070 | — |
| 27 | Screw, TORX/Flat, 6-32 or | 2680-0311 | — |
| | Screw, Machine 6-32 Pilot Point | 2360-0514 | — |
| | Nameplate | | |
| | HP Vectra 486/25N Logo | 5041-2565 | |
| | HP Vectra 486s/33N Logo | 5041-2599 | |
| | HP Vectra 486/33N Logo | 5041-2566 | |
| | HP Vectra 486/50N Logo | 5041-2571 | |
| | HP Vectra 486/66N Logo | 5041-2569 | |

System Board Parts List for HP Vectra 486N (D26xxA) PC Series

| <u>Description</u> | <u>Replacement Part Number</u> | <u>Exchange Part Number</u> |
|--|--|-----------------------------|
| System Board (includes integrated IDE disk and Ultra VGA+ controllers): | | |
| Vectra 486N Series PC | D2600-63001 | D2600-69001 |
| Processor: | | |
| 486SX-25 | 1821-0304 | — |
| 486SX-33 | 5063-0865 | — |
| 486DX-33 | 1820-7615 | — |
| 486DX2-50 | 5063-0303 | — |
| 486DX2-66 | 5063-4584 | — |
| Math Coprocessor: 487SX-25 | non-HP | — |
| Processor Upgrade kit: | | |
| 486DX-33 | Order the replacement processor listed above | |
| OverDrive25 (486DX2-50) | | |
| OverDrive33 (486DX2-66) | | |
| Main Memory Modules: | | |
| 2 MB Main Memory Module kit | D2381-63001 | |
| 4 MB Main Memory Module kit (36-bit) | 1818-4703 | D2156-69001 |
| 8 MB Main Memory Module kit (36-bit) | 1818-4702 | 2152-69001 |
| 16 MB Main Memory Module kit | D2676-83001 | |
| Video Memory Modules: | | |
| 512 KB Video Memory kit (D2326A) | 41818-5183 | |

Support Manuals for HP Vectra 486N (D26xxA) PC Series

| | |
|---|------------------|
| Familiarization Guide | D267xA+49A-90001 |
| Technical Reference Manual: Hardware and BIOS | 5960-5879 |

Part Numbers for HP Utility Diskettes

| <u>Description</u> | <u>Rev</u> | <u>Date Code</u> | <u>Part #</u> | <u>Info.</u> |
|-----------------------------|------------|------------------|-----------------|----------------------|
| 3.5-inch disk Utilities Kit | A.01.00 | - | Available on HP | Utilities Kit |
| Includes: | A.04.0 | 3308 | PC Internal BBS | Video Disk DOS |
| | A.01.00 | 3304 | | Video Disk OS/2 |
| 3.5-inch disk Start Up Kit | - | - | Available on HP | Start up Kit |
| (English version) Includes: | T.04.03 | 3249 | PC Internal BBS | HPROMInit Disk |
| | A.00.00 | 3231 | | Guided Tour Disk |

13 HP VECTRA 486N & NI (D27XXA) PC SERIES

MODELS AND ACCESSORIES

| <u>Product Number</u> | <u>Flexible Drive A:</u> | <u>Hard Drive C:</u> | <u>Disk Controller</u> | <u>Video Controller</u> | <u>Std. RAM</u> | <u>LAN Interface</u> |
|---|--------------------------|----------------------|---------------------------------|---|-----------------|------------------------|
| Vectra 486N & NI (D27xxA) PC Series | | | | | | |
| HP Vectra 486/25N (D27xxA) PC (CPL: 04/93; discontinued: 07/94) | | | | | | |
| D2751A | 1.44 MB (D2035A) | None | Integrated IDE controller | Integrated Ultra VGA+ (512 KB, upgradeable to 1 MB) | 4 MB | None |
| D2752A | | 120 MB (D1696A) | | | | |
| D2752B | | 170 MB (D2330B) | | | | |
| D2753A | | 240 MB (D1697A) | | | | |
| HP Vectra 486s/33N (D27xxA) PC (CPL: 04/93; discontinued: 07/94) | | | | | | |
| D2761A | 1.44 MB (D2035A) | None | Integrated IDE controller | Integrated Ultra VGA+ (512 KB, upgradeable to 1 MB) | 4 MB | None |
| D2762A | | 120 MB (D1696A) | | | | |
| D2762B | | 170 MB (D2330B) | | | | |
| D2763A | | 240 MB (D1697A) | | | | |
| HP Vectra 486/33N (D27xxA) PC (CPL: 04/93; discontinued: 07/94) | | | | | | |
| D2771A | 1.44 MB (D2035A) | None | Integrated IDE controller | Integrated Ultra VGA+ (512 KB, upgradeable to 1 MB) | 4 MB | None |
| D2772A | | 120 MB (D1696A) | | | | |
| D2772B | | 170 MB (D2330B) | | | | |
| D2773A | | 240 MB (D1697A) | | | | |
| HP Vectra 486/66N (D27xxA) PC (CPL: 04/93; discontinued: 07/94) | | | | | | |
| D2793A | 1.44 MB (D2035A) | 240 MB (D1697A) | Integrated IDE controller | Integrated Ultra VGA+ (512 KB, upgradeable to 1 MB) | 4 MB | None |
| HP Vectra 486/25NI (D27xxA) PC (CPL: 04/93; discontinued: 07/94) | | | | | | |
| D2755A | 1.44 MB (D2035A) | None | Integrated IDE controller | Integrated Ultra VGA+ (512 KB, upgradeable to 1 MB) | 4 MB | Integrated Ethernet |
| D2756A* | | 120 MB (D1696A) | | | | |
| D2756B* | | 170 MB (D2330B) | | | | |
| D2757A** | | 120 MB (D1696A) | | | | |
| D2757B** | | 170 MB (D2330B) | | | | |

*D2756A, D2756B, D2766A, D2776A, an D2776B include Microsoft® Windows for Workgroups.

**D2757A, D2757B, D2767A, D2777A, and D2777B include Microsoft® Windows.

| Product Number | Flexible Drive A: | Hard Drive C: | Disk Controller | Video Controller | Std. RAM | LAN Interface |
|--|--------------------------|----------------------|------------------------|---|-----------------|----------------------|
| HP Vectra 486s/33NI (D27xxA) PC (CPL: 04/93; discontinued: 07/94) | | | | | | |
| D2765A | 1.44 MB | None | Integrated | Integrated | 4 MB | Integrated |
| D2766A1 | (D2035A) | 120 MB (D1696A) | IDE controller | Ultra VGA+ (512 KB, upgradeable to 1 MB) | | Ethernet |
| D2767A2 | | | | | | |
| HP Vectra 486/33NI (D27xxA) PC (CPL: 04/93; discontinued: 07/94) | | | | | | |
| D2775A | 1.44 MB | None | Integrated | Integrated | 4 MB | Integrated |
| D2776A* | (D2035A) | 120 MB (D1696A) | IDE controller | Ultra VGA+ (512 KB, upgradeable to 1 MB) | | Ethernet |
| D2776B* | | 170 MB (D2330B) | | | | |
| D2777A** | | 120 MB (D1696A) | | | | |
| D2777B** | | 170 MB (D2330B) | | | | |

*D2756A, D2756B, D2766A, D2776A, and D2776B include Microsoft® Windows for Workgroups.

**D2757A, D2757B, D2767A, D2777A, and D2777B include Microsoft® Windows.

SUPPORTED ACCESSORIES

| | |
|--|--------|
| 512 KB Video Memory Upgrade kit | D2713A |
| 2 MB Main Memory Upgrade kit | D2381A |
| 4 MB Main Memory Upgrade kit | D2156A |
| 8 MB Main Memory Upgrade kit | D2152A |
| 16 MB Main Memory Upgrade kit | D2676A |
| <i>Setting Up Your PC</i> and <i>Using Your PC</i> manuals | D2711A |

Coprocessor upgrades

| | |
|---|---------|
| 486/25N & NI (D27xxA) PC with 487SX-25 Coprocessor | Non-HP* |
| 486x/33N & NI (D27xxA) PC with 487SX-33 Coprocessor | Non-HP* |

Processor upgrades

| | |
|--|---------|
| Processor Upgrade to 486DX-33 (33 MHz) | D2169A* |
|--|---------|

*Order fan part number 5063-5716 if upgrading either a D275xA or D276xA.

Input Devices

| | |
|------------------------------------|--------|
| Mouse (PS/2, Microsoft) | C1413A |
| Mouse (PS/2, Logitech) | C3751A |
| Keyboard | C1405B |
| Keyboard - new style (recommended) | C3756A |

Video Displays

| | |
|---|----------|
| Monochrome Display | D1192A/B |
| Ultra VGA Color Display 17-inch | D1193A |
| Super VGA Color Display 14-inch | D1194A |
| Ergo Super VGA Color Display 15-inch | D1195A |
| Ergo Ultra VGA Color Display 15-inch | D1196A |
| Color VGA Display | D1197A |
| Ultra VGA 1600 Display | D1199A |
| Monochrome VGA 14-inch Display | D2801A/B |
| Entry-Level SVGA 14-inch Display | D2802A |
| Super VGA 1024i 14-inch Display | D2804A |
| Ergo 1024 14-inch Display | D2805A |
| Ergo Ultra VGA 15-inch Display | D2806A |
| Ultra VGA 1280 17-inch Display | D2807A |
| Super VGA 14-inch Display (Low Emissions) | D2814A |

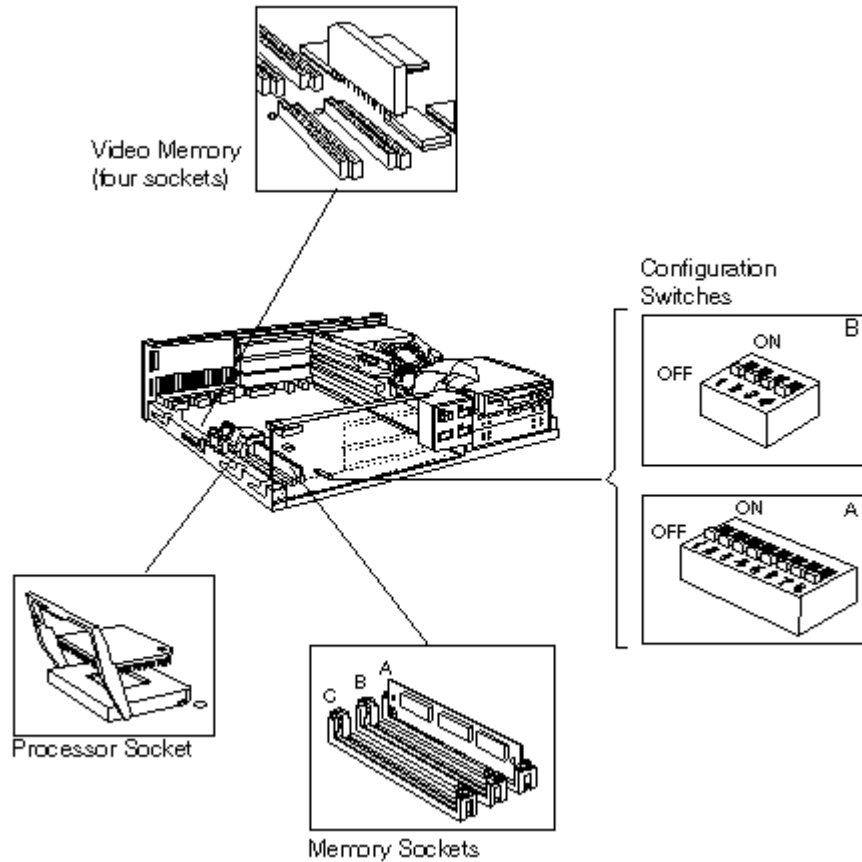
Mass Storage

| | |
|----------------------------------|--------|
| Flexible Disk 1.44 MB 3-1/2 inch | D2035A |
| IDE 120 MB Hard Disk | D1696A |
| IDE 240 MB Hard Disk | D1697A |
| IDE 170 MB Hard Disk | D2330A |
| IDE 170 MB Hard Disk | D2330B |
| IDE 210 MB Hard Disk | D2387A |
| IDE 450 MB Hard Disk | D2884A |
| IDE 340 MB Hard Disk | D2890A |
| SCSI 430 MB Hard Disk | D1699A |

Datacomm and LAN Boards

| | |
|----------------------------|--------|
| Serial Parallel Board | 24540B |
| Dual Serial Board | 24541B |
| Ethertwist PC Link Adapter | 27245A |
| Ethertwist Adapter/16 | 27247A |
| Ethertwist Adapter/16 | 27247B |
| HP ThinLAN Board | 27250A |
| Token-Ring Adapter | D2378A |
| Coaxial LAN Adapter Board | D2746A |

SYSTEM BOARD, BIOS, AND MEMORY



System Board Switch Block SW-A

| Switch | Function | Default |
|--------|--|------------|
| 1 | OFF Mouse interrupt IRQ12 — enabled ON Mouse interrupt IRQ12 — disabled (disable mouse if an accessory board uses IRQ12) | OFF |
| 2 | OFF Video interrupt IRQ9 — disabled ON Video interrupt IRQ9 — enabled | OFF |
| 3 | OFF Integrated Ultra VGA controller — enabled ON Integrated Ultra VGA Controller — disabled (disable built-in video if another video board is used) | OFF |
| 4 | OFF Passwords — enabled ON Passwords — disabled (erased) | OFF |
| 5 | OFF EEPROM stored configuration information — valid ON EEPROM stored configuration information — erased | OFF |
| 6 | OFF Security mode — disabled ON Security mode — configuration cannot be changed using Setup | OFF |
| 7 | OFF Flash ROM updates — enabled ON Flash ROM updates — disabled | OFF |
| 8 | OFF Not used | OFF |

System Board Switch Block SW-B

| <u>Switch</u> | <u>Name</u> | <u>Function</u> |
|---------------|-------------|---|
| 1 | Reserved | Not used (OFF) |
| 2 | IO399 | Sets the super I/O controller's* I/O port addresses (hex): OFF: 398 — 399 (default) ON: 26E — 26F |
| 3 | MHZ-2 | OFF OFF MHZ-1 and MHZ-2 set the speed of the processor's external clock — Set to 25 MHz for Overdrive/25 (50 MHz internal clock) and 33 MHz for Overdrive/33 (66 MHz internal clock). |
| 4 | MHZ-1 | OFF ON 25 MHz 33 MHz Setting a speed higher than the processor's rated bus speed could damage the processor |

*Super I/O controller: the integrated parallel port controller, serial port controller, flexible disk controller, and IDE hard disk interface.

SETUP AND BIOS HISTORY

Setup version "D.xx.xx" is used on Vectra 486N & NI, PCs

| <u>BIOS Ver.</u> | <u>Date</u> | <u>Description</u> | <u>Kit Part No.</u> | <u>Min Setup</u> |
|------------------|-------------|---|---------------------------------------|------------------|
| | | Vectra 486N & NI (D27xxA) PC Series | | |
| | | HP Vectra 486N & NI (D27xxA) PC Series | | |
| V.04.04 | April 93 | First release | — | N/A |
| V.04.08 | May 94 | Current release | Available on HP PC Internal BBS | N/A |

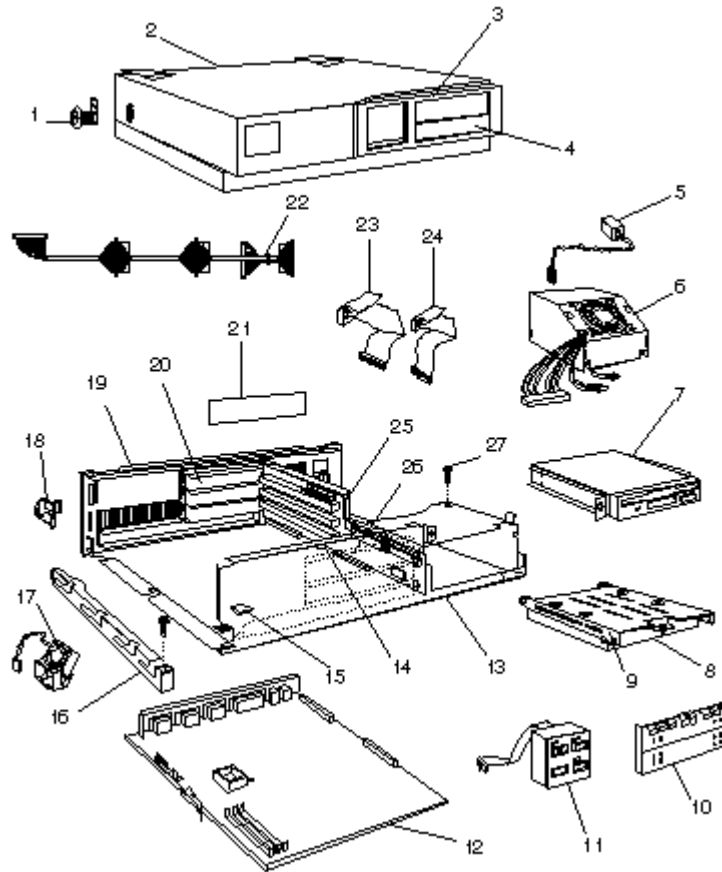
VIDEO MEMORY

The PC is supplied with 512 KB of video memory for a resolution of up to 1024 x 768 in 16 colors. An additional 512 KB of video memory can be installed in four video sockets (to make a total of 1 MB) for a resolution of up to 1024 x 768 in 256 colors. If additional video memory is added, all four sockets must be filled.

MAIN MEMORY

HP Vectra 486N & NI (D27xxA) PCs have three sockets on the system board labeled A, B, and C. Main memory modules can be installed in any combination in *any of the three sockets* up to a maximum of 48 MB.

PART NUMBERS



Parts List for HP Vectra 486N & NI (D27xxA) PC Series

| <u>Item</u> | <u>Description</u> | <u>Replacement Part Number</u> | <u>Exchange Part Number</u> |
|-------------|---|--------------------------------|-----------------------------|
| 1 | Cover Lock Assembly | 5062-5590 | |
| 2 | Top Cover-Bezel Assembly (includes items 1, 3, & 4) | 5062-2682 | — |
| 3 | Bezel Insert | 5041-1062 | — |
| 4 | Filler Panel | 5041-2554 | — |
| 5 | Battery | 1420-0513 | — |
| 6 | Power Supply Assembly | 5063-4538 | — |
| 7 | 3.5-inch Flexible Disk Drive 1.44 MB | D2035-63021 | |
| | Mounting Rails for 3.5-inch non-HP Disk Drives | 5063-0309 | — |
| 8 | Hard Disk Drive (standard): | | |
| | 120 MB | D1696-60007 | D1696-69003 |
| | 170 MB | D2330-60003 | D2330-69001 |
| | 240 MB | D1697-60009 | D1697-69007 |
| 9 | 3.5-inch, h-h, Tray (5 pack) for non- supported hard disk drives | Order product number D2037A | |
| 10 | Hard Drive RFI Assembly | 5062-2694 | — |

Parts List for HP Vectra 486N & NI (D27xxA) PC Series (contd.)

| <u>Item</u> | <u>Description</u> | <u>Replacement Part Number</u> | <u>Exchange Part Number</u> |
|-------------|--|------------------------------------|---------------------------------|
| 11 | Status (Control) Panel | 5063-0815 | — |
| 12 | System Board | See PC's system board parts list | |
| 13 | Chassis Assembly (Rear Bezel, Bumper Foot, Serial Label, Board Guide, CPU Guide, and Security Bracket) | 5062-2681 | — |
| 14 | System Board Guide | 5041-1063 | — |
| 15 | Bumper Foot | 5181-0394 | — |
| 16 | Side Panel | 5001-4238 | — |
| 17 | Fan — on D277xA & D279xA only* | 5063-0813 | — |
| 18 | Security Bracket | 5001-6869 | — |
| 19 | Rear Bezel | 5062-2680 | — |
| 20 | I/O Panel, Blank | 45935-00004 | — |
| 21 | Serial Label | 5181-0395 | — |
| 22 | Hard Disk Cable (SCSI drive) | 5181-0397 | — |
| 23 | Short Flexible Disk Drive Cable, 3.5-inch disk | 5181-9742 | — |
| 24 | Short Hard Disk Cable (IDE drive) | 5181-0385 | — |
| 25 | Backplane Assembly | 5063-0814 | — |
| 26 | Board Guide Assembly | 5041-1070 | — |
| 27 | Screw, TORX/Flat, 6-32 or Screw, Machine 6-32 Pilot Point Nameplate | 2680-0311 2360-0514 | — — |
| | HP Vectra 486/25N Logo | 5041-2565 | |
| | HP Vectra 486/25NI Logo | 5182-0324 | |
| | HP Vectra 486s/33N Logo | 5041-2599 | |
| | HP Vectra 486s/33NI Logo | 5182-0326 | |
| | HP Vectra 486/33N Logo | 5041-2566 | |
| | HP Vectra 486/33NI Logo | 5182-0328 | |
| | HP Vectra 486/50N Logo | 5041-2571 | |
| | HP Vectra 486/66N Logo | 5041-2569 | |

*No fan used on 486/25N or 286s/33N (D275xA or D276xA).

System Board Parts List for HP Vectra 486N & NI (D27xxA) PC Series

| <u>Description</u> | <u>Replacement Part Number</u> | <u>Exchange Part Number</u> |
|---|--------------------------------|-----------------------------|
| System Board (integrated IDE disk, Ultra VGA+ controllers, and Ethernet on NI models): | | |
| Vectra 486/25N | — | D2751-69002 |
| Vectra 486/25NI | — | D2755-69002 |
| Vectra 486s/33N | — | D2761-69002 |
| Vectra 486s/33NI | — | D2765-69002 |
| Vectra 486/33N | D2771-63002* | D2771-69002* |
| Vectra 486/33NI | D2775-63002* | D2775-69002* |
| Vectra 486/50N | D2771-63002* | D2771-69002* |
| Vectra 486/66N | D2771-63002* | D2771-69002* |
| Processors: | | |
| 486SX-25 'SL' | 5063-4561 | — |
| 486SX-33 'SL' | 5063-4554 | — |
| 486DX-33 | 1820-7615 | — |
| 486DX2-50 'SL' | 5063-4583 | — |
| 486DX2-66 'SL' | 5063-4584 | — |
| Math Coprocessors: | | |
| 487SX-25 | non-HP | — |
| 487SX-33 | non-HP | — |

*New D2771-63003 and D2775-63003 system boards do not have a processor.

System Board Parts List for HP Vectra 486N & NI (D27xxA) PC Series

| <u>Description</u> | <u>Replacement Part Number</u> | <u>Exchange Part Number</u> |
|--------------------------------------|--------------------------------|-----------------------------|
| Main Memory Modules: | | |
| 2 MB Main Memory Module kit | 5063-5722 | |
| 4 MB Main Memory Module kit (36-bit) | 1818-4703 | D2156-69001 |
| 4 MB Main Memory Module (32-bit) | 5182-1033 | |
| 8 MB Main Memory Module kit (36-bit) | 1818-4702 | D2152-69001 |
| 8 MB Main Memory Module (32-bit) | 5063-0890 | |
| 16 MB Main Memory Module kit | D2676-83001 | |
| Video Memory Modules: | | |
| 512 KB Video Memory kit (D2713A) | D2713-83001 | |
| LAN Adapters: | | |
| Coaxial Adapter Board (D2746A) | D2746-63001 | |

Support Manuals for HP Vectra 486N & NI (D27xxA) PC Series

| | |
|---|------------------|
| Familiarization Guide | D27xxA+49A-90001 |
| Technical Reference Manual: Hardware and BIOS | 5961-4524 |

Part Numbers for HP Utility Diskettes

| <u>Description</u> | <u>Rev</u> | <u>Date Code</u> | <u>Part #</u> | <u>Info.</u> |
|---|------------|------------------|-----------------------------|--------------|
| Vectra 486N & NI Kits (3.5-inch disks only): | | | | |
| Windows & DOS Video Drivers | A.01.03 | 3338 | Refer to HP Internal BBS | Kit |
| OS/2 Video Drivers | A.01.00 | 3301 | | |
| Lan Drivers for HP Integrated Ethernet Interface | A.02.00 | 3395 | | |

14 HP VECTRA N2 PC SERIES

MODELS AND ACCESSORIES

| <u>Product Number</u> | <u>Flexible Drive A:</u> | <u>Hard Drive C:</u> | <u>Disk Controller</u> | <u>Video Controller</u> | <u>Std. RAM</u> | <u>Integ. LAN</u> | <u>L 2 Cache</u> |
|---|--------------------------|----------------------|---|------------------------------------|-----------------|-------------------|------------------|
| Vectra N2 PC Series | | | | | | | |
| HP Vectra N2 4/25s PC (CPL: 06/94; discontinued: 02/95) | | | | | | | |
| D3186A | 1.44 MB | None | Integrated | Integrated | 4 MB | Yes | None |
| D3187A | (D2035A) | 106 MB | Fast IDE controller | Ultra VGA (1 MB, 60 ns) | | | |
| D3188A | | 170 MB (D2330B) | on local bus | | | | |
| HP Vectra N2 4/25si PC (CPL: 06/94; discontinued: 02/95) | | | | | | | |
| D3189A | 1.44 MB (D2035A) | 170 MB (D2330B) | Integrated Fast IDE controller on local bus | Integrated Ultra VGA (1 MB, 60 ns) | 4 MB | Yes | None |
| HP Vectra N2/33s PC (CPL: 06/94; discontinued: 02/95) | | | | | | | |
| D3141A | 1.44 MB (D2035A) | None | Integrated Fast IDE controller on local bus | Integrated Ultra VGA (1 MB, 60 ns) | 8 MB | None | Opt. |
| D3142A | | 210 MB (D2387A) | | | | | |
| D3180A | | 340 MB (D2890A) | | | | | |
| HP Vectra N2/33si PC (CPL: 03/94; discontinued: 02/95) | | | | | | | |
| D3143A | 1.44 MB (D2035A) | 210 MB (D2387A) | Integrated Fast IDE controller on local bus | Integrated Ultra VGA (1 MB, 60 ns) | 8 MB | Yes | Opt. |
| HP Vectra N2/50 PC (CPL: 06/94) | | | | | | | |
| D3144A | 1.44 MB (D2035A) | None | Integrated Fast IDE controller on local bus | Integrated Ultra VGA (1 MB, 60 ns) | 8 MB | None | Opt. |
| D3145A | | 210 MB (D2387A) | | | | | |
| D3145B | | 270 MB (D2388A) | | | | | |
| D3181A | | 340 MB (D2890A) | | | | | |
| D3181B | | 540 MB (D2389A) | | | | | |
| HP Vectra N2/50i PC (CPL: 03/94) | | | | | | | |
| D3146A | 1.44 MB (D2035A) | 210 MB (D2387A) | Integrated Fast IDE controller on local bus | Integrated Ultra VGA (1 MB, 60 ns) | 8 MB | Yes | Opt. |
| D3146B | | 270 MB (D2388A) | | | | | |
| HP Vectra N2 4/50s PC (CPL: 06/94; discontinued: 05/95) | | | | | | | |
| D3370A | 1.44 MB (D2035A) | None | Integrated Fast IDE controller on local bus | Integrated Ultra VGA (1 MB, 60 ns) | 8 MB | None | Opt. |
| D3371A | | 270 MB (D2388A) | | | | | |

HP Vectra N2 4/50si PC (CPL: 06/94; discontinued: 05/95)

| | | | | | | | |
|---------------|---------------------|--------------------|--|--|------|-----|------|
| D3372A | 1.44 MB (D2035A) | 270 MB (D2388A) | Integrated Fast IDE controller on local bus | Integrated Ultra VGA (1 MB, 60 ns) | 8 MB | Yes | Opt. |
|---------------|---------------------|--------------------|--|--|------|-----|------|

HP Vectra N2 4/66 PC (CPL: 06/94)

| | | | | | | | |
|---------------|---------------------|--------------------|--|--|------|------|------|
| D3148A | 1.44 MB (D2035A) | None | Integrated Fast IDE controller on local bus | Integrated Ultra VGA (1 MB, 60 ns) | 8 MB | None | Opt. |
| D3149A | | 340 MB (D2890A) | | | | | |
| D3376A | | 540 MB (D2389A) | | | | | |

HP Vectra N2 4/66i PC (CPL: 04/95)

| | | | | | | | |
|---------------|---------------------|--------------------|--|--|------|-----|------|
| D3377A | 1.44 MB (D2035A) | 540 MB (D2389A) | Integrated Fast IDE controller on local bus | Integrated Ultra VGA (1 MB, 60 ns) | 8 MB | Yes | Opt. |
|---------------|---------------------|--------------------|--|--|------|-----|------|

HP Vectra N2 4/100 PC (CPL: 04/95)

| | | | | | | | |
|---------------|---------------------|--------------------|--|--|------|------|------|
| D3307A | 1.44 MB (D2035A) | None | Integrated Fast IDE controller on local bus | Integrated Ultra VGA (1 MB, 60 ns) | 8 MB | None | Opt. |
| D3308A | | 540 MB (D2389A) | | | | | |

HP Vectra N2 4/100i PC (CPL: 04/95)

| | | | | | | | |
|---------------|---------------------|--------------------|--|--|------|-----|------|
| D3309A | 1.44 MB (D2035A) | 540 MB (D2389A) | Integrated Fast IDE controller on local bus | Integrated Ultra VGA (1 MB, 60 ns) | 8 MB | Yes | Opt. |
|---------------|---------------------|--------------------|--|--|------|-----|------|

SUPPORTED ACCESSORIES

| | |
|--------------------------------------|--------|
| 512 KB Video Memory Upgrade Kit | D3169A |
| 128 KB Cache Memory Upgrade Kit | D3168A |
| 256 KB Cache Memory Upgrade Kit | D2944A |
| 4 MB Main Memory Upgrade Kit | D2974A |
| 8 MB Main Memory Upgrade Kit | D2975A |
| 16 MB Main Memory Upgrade Kit | D2297A |
| 32 MB Main Memory Upgrade Kit | D2298A |
| Vectra N2 <i>User's Guide</i> manual | D3140A |

Video Displays

| | |
|---|----------|
| Monochrome Display | D1192A/B |
| Ultra VGA Color Display 17-inch | D1193A |
| Super VGA Color Display 14-inch | D1194A |
| Ergo Super VGA Color Display 15-inch | D1195A |
| Ergo Ultra VGA Color Display 15-inch | D1196A |
| Color VGA Display | D1197A |
| Ultra VGA 1600 Display | D1199A |
| Monochrome VGA 14-inch Display | D2801A/B |
| Entry-Level SVGA 14-inch Display | D2802A |
| Super VGA 1024i 14-inch Display | D2804A |
| Ergo 1024 14-inch Display | D2805A |
| Ergo Ultra VGA 15-inch Display | D2806A |
| Ultra VGA 1280 17-inch Display | D2807A |
| Super VGA 14-inch Display (Low Emissions) | D2814A |

Multimedia Products

| | |
|----------------------|--------|
| HP Sound DSP 16 | D2941A |
| HP Integrated Office | D2887A |

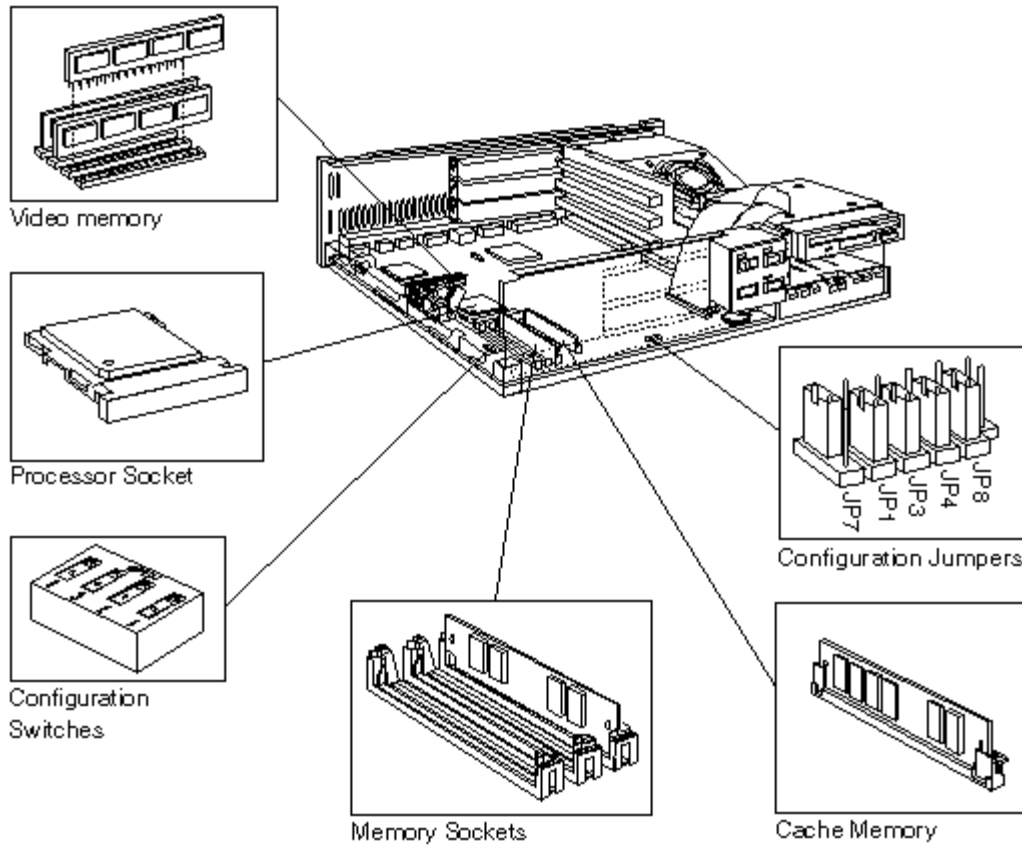
Mass Storage

| | |
|--|----------|
| Flexible Disk 1.44 MB 3-1/2 inch | D2035A |
| Flexible Disk 1.2 MB 5-1/4 inch | D2881A |
| IDE 170 MB Hard Disk | D2330B |
| IDE 210 MB Hard Disk | D2387A |
| IDE 270 MB Hard Disk | D2388A |
| IDE 270 MB Hard Disk | D2894A/B |
| IDE 450 MB Hard Disk | D2884A |
| IDE 340 MB Hard Disk | D2890A |
| IDE 540 MB Hard Disk | D2389A |
| IDE 540 MB Hard Disk | D2891A/B |
| 1 GB SCSI-2 Hard Disk Drive | D2076B |
| SCSI CD-ROM Drive | D2886B |
| 3.5-inch, h-h, Tray (5 pack) for non-HP hard disk drives | D2037A |

Input Devices

| | |
|------------------------------------|--------|
| Keyboard | C1405B |
| Keyboard - new style (recommended) | C3756A |
| Mouse (PS/2, Logitech) | C3751A |

SYSTEM BOARD, BIOS, AND MEMORY



N2 Configuration Jumpers

| <u>Jumper Setting</u> | <u>Function</u> | <u>Default</u> |
|-----------------------|-----------------|--|
| JP1 | 1-2 | PENTIUM Overdrive: Level-one cache write through mode. |
| | 2-3 | PENTIUM Overdrive: Level-one cache write back mode. |
| JP2 | 9-10 | Select IRQ 7 for LPT1 |
| | 11-12 | Select IRQ 5 for LPT2 |
| JP3* | 1-2 | Select 33 MHz processor speed |
| | 2-3 | Select 25 MHz processor speed |
| JP4 | 1-2 | Select > 33 MHz processor speed |
| | 2-3 | Select 25/33 MHz processor speed |
| JP7 | 1-2 | VESA ID bit (CPU speed <= 33 MHz) |
| | 2-3 | VESA ID bit (CPU speed > 33 MHz) |
| JP8* | 1-2 | Intel DX4 processor |
| | 2-3 | Other processor |

*Default setting dependent on model

N2 System Board Switches

| Switch # | Function | Default | |
|-----------------|---------------|---|---------------|
| 1 SECUR | CLOSED | Enables security mode to prevent changes to the PC's configuration | CLOSED |
| | OPEN | Disables security mode to allow changes to the PC's configuration | |
| 2 VGAEN | OPEN | Enables VGA | OPEN |
| | CLOSED | Disables VGA | |
| 3 CONFI G | OPEN | Retain the configuration stored in CMOS | OPEN |
| | CLOSED | Clear the configuration stored in CMOS. Switch to CLOSED if you need to clear the PC's configuration information, for example, if the configuration is corrupted. | |
| 4 PSWRD | OPEN | Enables the passwords to be set and stored in CMOS. | OPEN |
| | CLOSED | Disables the passwords Switch to CLOSED if you need to clear the current password. | |

IRQs and I/O Addresses

| IRQ | Function | I/O Port Hex |
|------------|-----------------------------|--------------|
| IRQ 3 | Serial Port B (COM2) or LAN | 3F8-3FF |
| IRQ 4 | Serial Port A (COM1) or LAN | 2F8-2FF |
| IRQ 6 | Flexible Disk Controller | 3F0-3F7 |
| IRQ 7 (5)* | Parallel Port 1 (LPT1) | 378-37F |
| IRQ 14 | IDE Hard Disk Controller | 1F0-1F7 |
| - | Video controller | 3B0-3DF |

*Numbers in brackets indicate alternate IRQ selected by jumper on the system board. See the Configuration Jumper table for details.

SETUP AND BIOS HISTORY

The HP BIOS includes a SETUP program. See the *HP Vectra N2 Familiarization Guide* for details.

| <u>BIOS Ver.</u> | <u>Date</u> | <u>Description</u> | <u>Kit Part No.</u> | <u>Min Setup</u> |
|-------------------------------|-------------|--------------------|---------------------|------------------|
| Vectra N2 PC Series | | | | |
| HP Vectra N2 PC Series | | | | |
| GB.04.03 | June 94 | First release | N/A | N/A |

CACHE MEMORY

HP Vectra N2 PCs have one cache memory socket, allowing a 128 KB or 256 KB second-level cache memory kit to be installed.

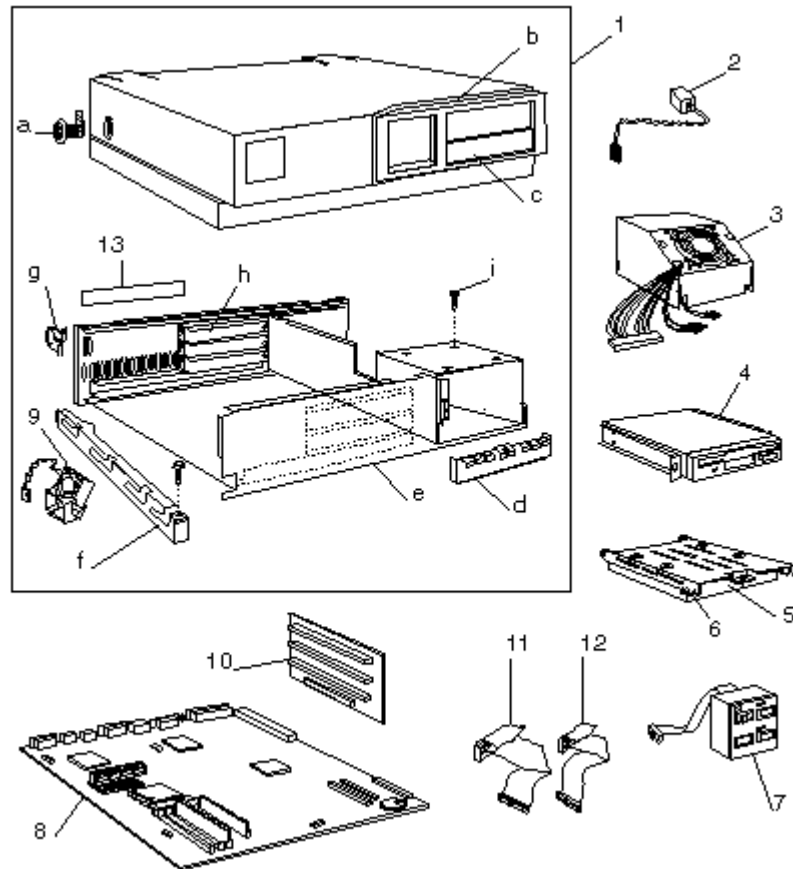
VIDEO MEMORY

The PC is supplied with 1 MB of video memory for 1024 x 768 in 256 colors. An additional 1 MB of video memory (two 512 KB video memory modules) can be installed in the video memory sockets (to make a total of 2 MB for 1024 x 68 in 64 K colors).

MAIN MEMORY

HP Vectra N2 PC has three sockets on the system board, and are supplied with 4 MB or 8 MB main memory standard, depending on the model. 4 MB, 8 MB, 16 MB, and 36 MB, 36-bit main memory modules can be installed in *any combination* in the two sockets up to a maximum of 96 MB.

PART NUMBERS



Parts List for HP Vectra N2 PC Series

| <u>Item</u> | <u>Description</u> | <u>Replacement Part Number</u> | <u>Exchange Part Number list</u> |
|-------------|---|----------------------------------|----------------------------------|
| 1 | Box Assembly: | 5063-5714 | — |
| | a. Cover Lock Assembly | 5062-5590 | |
| | b. Bezel Insert | 5041-1062 | |
| | c. Filler Panel | 5041-2554 | |
| | d. Hard Drive RFI Assembly | — | |
| | e. Chassis Assembly | 5062-2681 | |
| | f. Side Panel | 5001-4238 | |
| | g. Security Bracket | 5001-6869 | |
| | h. I/O Panel | 45935-00004 | |
| | i. Screw, TORX/Flat, 6-32 or Screw, Machine, 6-32 Pilot Point | 2680-0311 2360-0514 | |
| 2 | 3 V Battery | 1420-0535 * | — |
| | 4.5 V Battery (optional accessory) | 1420-0513 | |
| 3 | Power Supply Assembly | 5063-5719 | — |
| 4 | Flexible Disk Drive, 3.5-inch | D2035-63004 | — |
| 5 | Hard Disk Drive | | |
| | 106 MB | D3032-63031 | — |
| | 170 MB | D2330-63021 | D2330-69021 |
| | 210 MB | D2387-63001 | D2387-69001 |
| | 270 MB | D2388-63001 | D2388-69001 |
| | 340 MB | D2890-63021 | D2890-69021 |
| | 540 MB | D2389-63001 | D2389-69001 |
| 6 | 3.5-inch, h-h, Tray (5 pack) for non-supported hard disk drives | Order product number D2037A | |
| 7 | Status (Control) Panel | 5063-5715 | — |
| 8 | System Board | See PC's system board parts list | |
| 9 | Optional Fan | 5063-5716 | — |
| 10 | Backplane Assembly | 5036-5717 | — |
| 11 | Flexible Disk Drive Cable | 5182-1087 | — |
| 12 | Hard Disk Cable (IDE drive) | 5182-1086 | — |
| 13 | Rear Bezel Label | 5042-0558 | — |
| | Nameplate | | |
| | HP Vectra N2 4/25 Logo | 5042-0588 | — |
| | HP Vectra N2 4/25i Logo | 5042-0589 | — |
| | HP Vectra N2 4/33s Logo | 5042-0527 | — |
| | HP Vectra N2 4/33si Logo | 5042-0528 | — |
| | HP Vectra N2 4/50s Logo | 5042-1118 | — |
| | HP Vectra N2 4/50si Logo | 5042-1119 | — |
| | HP Vectra N2 4/50 Logo | 5042-0529 | — |
| | HP Vectra N2 4/50i Logo | 5042-0539 | — |
| | HP Vectra N2 4/66 Logo | 5042-0531 | — |
| | HP Vectra N2 4/66i Logo | 5042-1120 | — |
| | HP Vectra N2 4/100 Logo | 5042-1152 | — |
| | HP Vectra N2 4/100i Logo | 5042-1153 | — |

*Replace the battery with a Panasonic/Rayovac BR2335 battery, available from most local stores, or its equivalent HP battery using this number from your dealer or HP Sales and Service Office. Return the old battery to the supplier.

System Board Parts List for HP Vectra N2 PC Series

| <u>Description</u> | <u>Replacement Part Number</u> | <u>Exchange Part Number</u> |
|---|--------------------------------|-----------------------------|
| System Board (includes integrated IDE disk and Ultra VGA+ controllers):* | | |
| Vectra N2 4/XX and Vectra N2 4/XXs | D3151-630011 | D3151-69001* |
| Vectra N2 4/XXi and Vectra N2 4/XXsi | D3153-630011 | D3153-69001* |
| Vectra N2 4/100 | D3185-630011 | D3185-69001* |
| Vectra N2 4/100i | D3189-630011 | D3189-69001* |
| Processors: | | |
| 486SX-25 | 5063-4561 | — |
| 486SX-33 | 5063-4554 | — |
| 486SX2-50 (Vectra N2 4/50s and Vectra N2 4/50si) | 5063-5730 | — |
| 486DX2-50 (Vectra N2 4/50 and Vectra N2 4/50i) | 5063-4583 | — |
| 486DX2-66 | 5063-4584 | — |
| 486DX4-100 | 5063-4598 | — |
| Second Level Cache Memory Modules: | | |
| 128 KB Cache Memory Module kit (D3168A) | D3168-63001 | — |
| 256 KB Cache Memory Module kit (D2944A) | 5063-0880 | — |
| Main Memory Modules: (70 ns) | | |
| 4 MB Main Memory Module kit, 36-bit (D2974A) | D2974-63001 | — |
| 8 MB Main Memory Module kit, 36-bit (D2975A) | D2975-63001 | — |
| 16 MB Main Memory Module kit, 36-bit (D2297A) | D2297-63001 | D2297-69001 |
| 32 MB Main Memory Module kit, 36-bit (D2298A) | D2298-63001 | D2298-69001 |
| Video Memory Modules: | | |
| 512 KB Video Memory kit (D3169A) | D3169-83001 | — |

*These assemblies are supplied without main memory modules.

Support Manuals for HP Vectra N2 PC Series

| | |
|---|-----------------|
| Familiarization Guide | D314x+49A-90001 |
| Technical Reference Manual: Hardware and BIOS | None* |

*Electronic file only.

Part Numbers for HP Utility Diskettes

| <u>Description</u> | <u>Rev</u> | <u>Date Code</u> | <u>Part #</u> | <u>Info.</u> |
|-----------------------------------|------------|------------------|---------------|--------------|
| Windows & DOS Video Drivers | | | 5063-4532 | Kit |

15 HP VECTRA 486M & MI PC SERIES

MODELS AND ACCESSORIES

| <u>Product Number</u> | <u>Flexible Drive A:</u> | <u>Hard Drive C:</u> | <u>Disk Controller</u> | <u>Video Controller</u> | <u>Std. RAM</u> | <u>LAN Interface</u> |
|--|--------------------------|----------------------|---------------------------------|---|-----------------|------------------------|
| Vectra 486M & MI PC Series | | | | | | |
| HP Vectra 486/25M PC (CPL: 06/93; discontinued: 07/94) | | | | | | |
| D2851A | 1.44 MB | None | Integrated | Integrated | 4 MB | None |
| D2855A | (D2035A) | 120 MB (D1696A) | IDE controller | Ultra VGA+ (512 KB, upgradeable to 1 MB) | | |
| D2852A | | 170 MB (D2330A) | | | | |
| D2853A | | 240 MB (D1697A) | | | | |
| HP Vectra 486s/33M PC (CPL: 06/93; Discontinued: 07/94) | | | | | | |
| D2861A | 1.44 MB | None | Integrated | Integrated | 4 MB | None |
| D2865A | (D2035A) | 120 MB (D1696A) | IDE controller | Ultra VGA+ (512 KB, upgradeable to 1 MB) | | |
| D2862A | | 170 MB (D2330A) | | | | |
| D2863A | | 240 MB (D1697A) | | | | |
| HP Vectra 486/33M PC (CPL: 06/93; Discontinued: 07/94) | | | | | | |
| D2871A | 1.44 MB | None | Integrated | Integrated | 4 MB | None |
| D2872A | (D2035A) | 170 MB (D2330A) | IDE controller | Ultra VGA+ (512 KB, upgradeable to 1 MB) | 8 MB | |
| D2872B* | | | | | | |
| D2873A | | 240 MB (D1697A) | | | 4 MB | |
| D2873B | | | | | 8 MB | |
| HP Vectra 486/66M PC (CPL: 11/93) | | | | | | |
| D2892A | 1.44 MB (D2035A) | 240 MB (D1697A) | Integrated IDE controller | Integrated Ultra VGA+ (512 KB, upgradeable to 1 MB) | 8 MB | None |
| D2893A | | 450 MB (D2884A) | | | | |
| HP Vectra 486/25MI PC (CPL: 06/93) | | | | | | |
| D2857A | 1.44 MB (D2035A) | 170 MB (D2330A) | Integrated IDE controller | Integrated Ultra VGA+ (512 KB, upgradeable to 1 MB) | 4 MB | Integrated Ethernet |
| D2857B | | 240 MB (D1697A) | | | | |
| D2859B** | | | | | | |
| HP Vectra 486s/33MI PC (CPL: 06/93) | | | | | | |
| D2867A | 1.44 MB (D2035A) | 170 MB (D2330A) | Integrated IDE controller | Integrated Ultra VGA+ (512 KB, upgradeable to 1 MB) | 4 MB | Integrated Ethernet |

*CPL date for the D2872B and D2873B models was 11/93

**Includes: HP OpenView PC client software and D2886A CD-ROM kit

| Product Number | Flexible Drive A: | Hard Drive C: | Disk Controller | Video Controller | Std. RAM | LAN Interface |
|---|--------------------------|----------------------|---------------------------------|---|-----------------|------------------------|
| HP Vectra 486/33MI PC (CPL: 06/93) | | | | | | |
| D2877A | 1.44 MB (D2035A) | 170 MB (D2330A) | Integrated IDE controller | Integrated Ultra VGA+ (512 KB, upgradeable to 1 MB) | 4 MB | Integrated Ethernet |
| D2877B | | 240 MB (D1697A) | | | 8 MB | |

SUPPORTED ACCESSORIES

| | |
|--|--------|
| 512 KB Video Memory Upgrade kit | D2713A |
| 2 MB Main Memory Upgrade kit (486M & MI PCs) | D2381A |
| 4 MB Main Memory Upgrade kit (486M & MI PCs) | D2156A |
| 8 MB Main Memory Upgrade kit (486M & MI PCs) | D2152A |
| 16 MB Main Memory Upgrade kit (486M & MI PCs) | D2676A |
| <i>Setting Up Your PC</i> and <i>Using Your PC</i> manuals | D2850A |

Processor upgrades

| | |
|--|--------|
| 486M & MI Processor Upgrade to 486DX-33 (33 MHz) | D2169A |
|--|--------|

Coprocessor upgrades

| | |
|---|--------|
| 486M & MI PC with 487SX-25 Math Coprocessor | Non-HP |
| 486M & MI PC with 487SX-33 Math Coprocessor | Non-HP |

Input Devices

| | |
|------------------------------------|--------|
| Mouse (PS/2, Microsoft) | C1413A |
| Keyboard | C1405B |
| Keyboard - new style (recommended) | C3756A |
| Mouse (PS/2, Logitech) | C3751A |

Video Displays

| | |
|---|----------|
| Monochrome Display | D1192A/B |
| Ultra VGA Color Display 17-inch | D1193A |
| Super VGA Color Display 14-inch | D1194A |
| Ergo Super VGA Color Display 15-inch | D1195A |
| Ergo Ultra VGA Color Display 15-inch | D1196A |
| Color VGA Display | D1197A |
| Ultra VGA 1600 Display | D1199A |
| Monochrome VGA 14-inch Display | D2801A/B |
| Entry-Level SVGA 14-inch Display | D2802A |
| Super VGA 1024i 14-inch Display | D2804A |
| Ergo 1024 14-inch Display | D2805A |
| Ergo Ultra VGA 15-inch Display | D2806A |
| Ultra VGA 1280 17-inch Display | D2807A |
| Super VGA 14-inch Display (Low Emissions) | D2814A |

Multimedia Products

| | |
|----------------------|--------|
| HP Sound DSP 16 | D2941A |
| HP Integrated Office | D2887A |

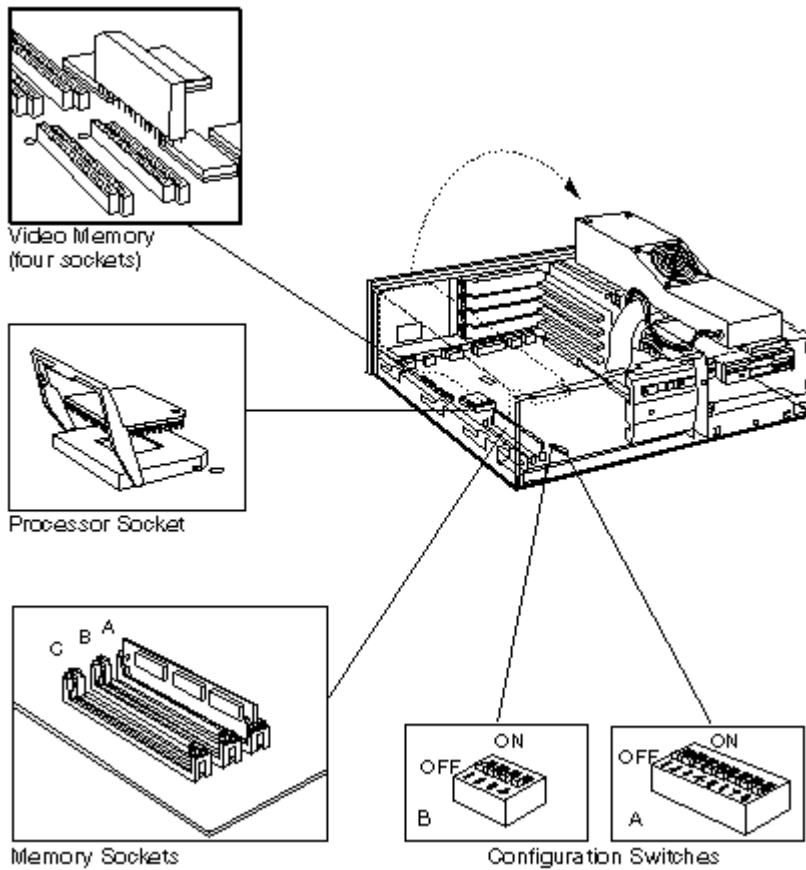
Mass Storage

| | |
|--|----------|
| Flexible Disk 1.44 MB 3-1/2 inch | D2035A |
| Flexible Disk 1.2 MB 5-1/4 inch | D2881A |
| IDE 120 MB Hard Disk | D1696A |
| IDE 240 MB Hard Disk | D1697A |
| IDE 170 MB Hard Disk | D2330A |
| IDE 170 MB Hard Disk | D2330B |
| IDE 210 MB Hard Disk | D2387A |
| IDE 450 MB Hard Disk | D2884A |
| IDE 340 MB Hard Disk | D2890A |
| SCSI 430 MB Hard Disk | D1699A |
| SCSI CD-ROM Drive | D2886A/B |
| 3.5-inch, h-h, Rails (5 pack) for non-HP disk drives | D3566A |

Datacomm and LAN Boards

| | |
|----------------------------|--------|
| Serial Parallel Board | 24540B |
| Dual Serial Board | 24541B |
| Ethertwist PC Link Adapter | 27245A |
| Ethertwist Adapter/16 | 27247A |
| Ethertwist Adapter/16 | 27247B |
| HP ThinLAN Board | 27250A |
| Token-Ring Adapter | D2378A |
| Coaxial LAN Adapter Board | D2746A |

SYSTEM BOARD, BIOS, AND MEMORY



System Board Switch Block SW-A

| Switch | Function | Default |
|--------|---|------------|
| 1 | OFF Mouse interrupt IRQ12 — enabled ON Mouse interrupt IRQ12 — disabled (disable mouse if an accessory board uses IRQ12) | OFF |
| 2 | OFF Video interrupt IRQ9 — disabled ON Video interrupt IRQ9 — enabled | OFF |
| 3 | OFF Integrated Ultra VGA controller — enabled ON Integrated Ultra VGA Controller — disabled (disable built-in video if another video board is used) | OFF |
| 4 | OFF Passwords — enabled ON Passwords — disabled (erased) | OFF |
| 5 | OFF EEPROM stored configuration information — valid ON EEPROM stored configuration information — erased | OFF |
| 6 | OFF Security mode — disabled ON Security mode — configuration cannot be changed using Setup | OFF |
| 7 | OFF Flash ROM updates — enabled ON Flash ROM updates — disabled | OFF |
| 8 | OFF Not used | OFF |

System Board Switch Block SW-B

| <u>Switch</u> | <u>Name</u> | <u>Function</u> | | |
|---------------|-------------|--|--------|---|
| 1 | Reserved | Not used (OFF) | | |
| 2 | IO399 | Sets the super I/O controller's* I/O port addresses (hex): OFF: 398 — 399 (default) ON: 26E — 26F | | |
| 3 | MHZ-2 | OFF | OFF | MHZ-1 and MHZ-2 set the speed of the processor's external clock — Set to 25 MHz for Overdrive/25 (50 MHz internal clock) and 33 MHz for Overdrive/33 (66 MHz internal clock). Setting a speed higher than the processor's rated bus speed could damage the processor |
| 4 | MHZ-1 | OFF | ON | |
| | | 25 MHz | 33 MHz | |

*Super I/O controller: the integrated parallel port controller, serial port controller, flexible disk controller, and IDE hard disk interface.

SETUP AND BIOS HISTORY

Setup version "D.xx.xx" in used on Vectra 486M & MI PCs.

| <u>BIOS Ver.</u> | <u>Date</u> | <u>Description</u> | <u>Kit Part No.</u> | <u>Min Setup</u> |
|--|-------------|--------------------|---------------------------------|------------------|
| Vectra 486M & MI PC Series | | | | |
| HP Vectra 486M & MI PC Series | | | | |
| W.04.04 | April 93 | First release | Available on HP PC Internal BBS | N/A |

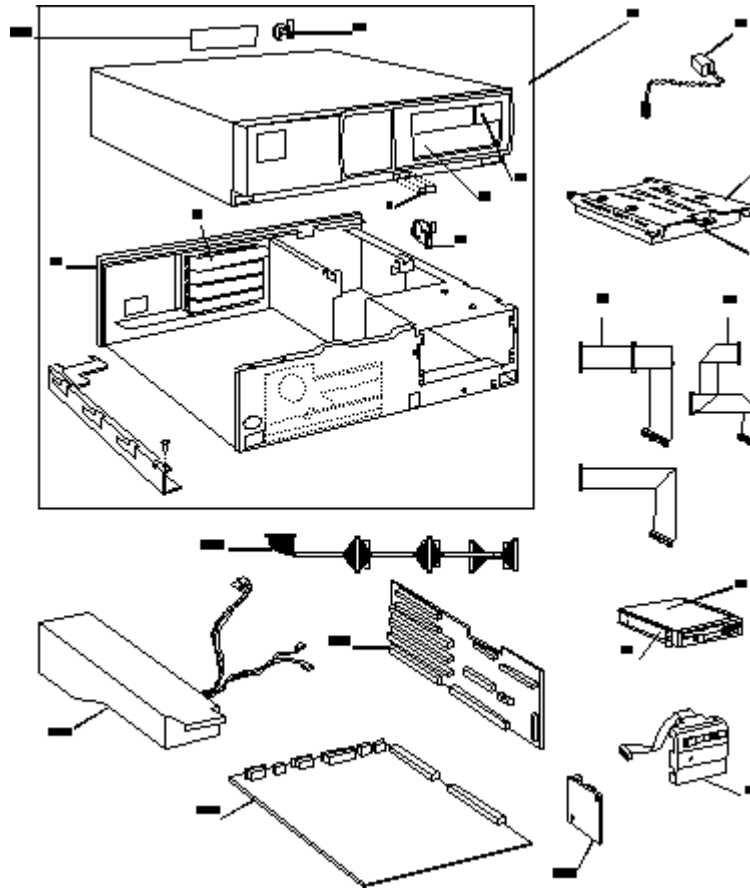
VIDEO MEMORY

The PC is supplied with 512 KB of video memory for 1024 x 768 in 16 colors. An additional 512 KB of video memory can be installed in four video sockets (to make a total of 1 MB) for 1024 x 768 in 256 colors. If additional video memory is added, all four sockets must be filled.

MAIN MEMORY

HP Vectra 486M & MI PCs have three sockets on the system board labeled A, B, and C. Main memory modules can be installed in any combination *in any of the three sockets* up to a maximum of 48 MB.

PART NUMBERS



Parts List for HP Vectra 486M & MI PC Series

| Item | Description | Replacement Part Number | Exchange Part Number |
|------|---|-----------------------------|----------------------|
| 1 | Box Assembly | 5063-4597 | — |
| | a Rear Bezel | - | |
| | b Security Bracket | - | |
| | c I/O Panel Blank | 45935-00004 | |
| | d Filler Panel 5.25 inch | 5041-2578 | |
| | e Filler panel 1.75 inch | 5063-0877 | |
| | f Infrared Cap | 5042-0505 | |
| | g Cover lock Assembly | 5062-5590 | |
| 2 | Battery | 1420-0513 | — |
| 3 | 3.5-inch, h-h, Tray (5 pack) for non-supported hard disk drives | Order product number D2037A | |
| 4 | Hard Disk Drive (standard): | | |
| | 120 MB | D1696-60007 | D1696-69003 |
| | 170 MB | D2330-60003 | D2330-69001 |
| | 240 MB | D1697-60009 | D1697-69007 |
| | 450 MB | D2884-63003 | D2884-69003 |
| 5 | Hard Disk Cable (IDE drive) | 5182-0311 | — |

| | | | |
|----|--|----------------------------------|---|
| 6 | Flexible Disk Drive Cable | 5182-1089 | — |
| 7 | 3.5-inch Flexible Disk Drive 1.44 MB | D2035-63021 | — |
| 8 | Mounting Rails for 3.5-inch non-HP Disk Drives | 5063-0309 | — |
| | Mounting Rails kit for 5.25-inch and 3.5-inch non-HP Disk Drives | 5063-7922 | — |
| 9 | Status (Control) Panel | 5063-0876 | — |
| 10 | Infrared Assembly | 5063-0850* | — |
| 11 | Backplane Assembly | 5063-0849 | — |
| 12 | System Board | See PC's system board parts list | |
| 13 | Power Supply Assembly | 5063-4553 | — |
| 14 | Hard Disk Cable, round (SCSI) | 5181-0397 | — |
| | Hard Disk Cable, flat (SCSI) | 5181-1045 | — |
| 15 | Serial Label | 5181-0395 | — |
| | 486 MI Rear Bezel (Serial/LAN) | 5041-2589 | — |
| | 486 M Rear Bezel (Dual Serial) | 5042-1177 | — |
| | Nameplate | | |
| | HP Vectra 486/25M Logo | 5041-2593 | |
| | HP Vectra 486/25MI Logo | 5042-0501 | |
| | HP Vectra 486s/33M Logo | 5041-2594 | |
| | HP Vectra 486s/33MI Logo | 5042-0502 | |
| | HP Vectra 486/33M Logo | 5041-2595 | |
| | HP Vectra 486/33MI Logo | 5042-0503 | |

*This assembly is not supported by the HP Vectra 486M & MI PCs.

System Board Parts List for HP Vectra 486M & MI PC Series

| <u>Description</u> | <u>Replacement Part Number</u> | <u>Exchange Part Number</u> |
|---|--------------------------------|-----------------------------|
| System Board (includes integrated IDE disk and Ultra VGA controllers, and integrated Ethernet on MI models): | | |
| Vectra 486/25M | | D2751-69002 |
| Vectra 486/25MI | | D2755-69002 |
| Vectra 486s/33M | | D2761-69002 |
| Vectra 486s/33MI | | D2765-69002 |
| Vectra 486/33M | D2771-63002* | D2771-69002* |
| Vectra 486/33MI | D2775-63002* | D2775-69002* |
| LAN Adapters: | | |
| Coaxial Adapter Board (D2746A) | D2746-63001 | |
| Math Coprocessors: | | |
| 487SX-25 | non-HP | |
| 487SX-33 | non-HP | |
| Processors: | | |
| 486SX-25 'SL' | 5063-4561 | |
| 486SX-33 'SL' | 5063-4554 | |
| 486DX-33 | 1820-7615 | |

*These replacement assemblies are supplied without a processor chip.

Main Memory Modules:

| | | |
|--------------------------------------|-------------|-------------|
| 2 MB Main Memory Module kit | 5063-5722 | |
| 4 MB Main Memory Module kit (36-bit) | 1818-4703 | D2156-69001 |
| 4 MB Main Memory Module (32-bit) | 5182-1033 | |
| 8 MB Main Memory Module kit (36-bit) | 1818-4702 | D2152-69001 |
| 8 MB Main Memory Module (32-bit) | 5063-0890 | |
| 16 MB Main Memory Module kit | D2676-83001 | |

Video Memory Modules:

| | |
|----------------------------------|-------------|
| 512 KB Video Memory kit (D2713A) | D2713-83001 |
|----------------------------------|-------------|

Support Manuals for HP Vectra 486M & MI PC Series

| | |
|---|-------------------|
| Familiarization Guide | D28xxA+49A-900001 |
| Technical Reference Manual: Hardware and BIOS | 5961-4524 |

Part Numbers for HP Utility Diskettes

| <u>Description</u> | <u>Rev</u> | <u>Date Code</u> | <u>Part #</u> | <u>Info.</u> |
|---|------------|------------------|---------------|--------------------------|
| Vectra 486M & MI Kits (3.5-inch disks only): | | | | |
| Windows & DOS Video Drivers | A.01.03 | 3338 | 5063-4599 | Refer to HP Internal BBS |
| OS/2 Video Drivers | A.01.00 | 3301 | | |
| Lan Drivers for HP Integrated Ethernet Interface | A.02.02 | 3995 | 5063-4535 | |

16 HP VECTRA 486VL PC SERIES

MODELS AND ACCESSORIES

| <u>Product Number</u> | <u>Flexible Drive A:</u> | <u>Hard Drive C:</u> | <u>Disk Controller</u> | <u>Video Controller</u> | <u>Std. RAM</u> | <u>L 2 Cache</u> | <u>Add-on</u> | |
|--|--------------------------|-----------------------------|---------------------------------|--|-----------------|------------------|---------------|-------------|
| Vectra 486VL PC Series | | | | | | | | |
| HP Vectra 486/25VL PC (CPL: 07/93) | | | | | | | | |
| D3021A | 1.44 MB (D2035A) | 120 MB (D1696A) | Integrated IDE controller | Integrated Ultra VGA (512 KB, upgradeable to 1 MB) | 4 MB | None | None | |
| D3021B | | 170 MB (D2330A) | | | | | | |
| D3022A | | 240 MB (D1697A) | | | | | | |
| D3024A* | | 170 MB (D2330A) | | | | | | Multi-media |
| D3031A* | | None | | | | | | None |
| D3032A | | 106 MB (D3032- 60003) | | | 2 MB | | | |
| D3036A | | | | | | | | |
| HP Vectra 486s/33VL PC (CPL: 07/93) | | | | | | | | |
| D3033A | 1.44 MB (D2035A) | 170 MB (D2330A) | Integrated IDE controller | Integrated Ultra VGA (512 KB, upgradeable to 1 MB) | 4 MB | Opt. | None | |
| D3039A | | 240 MB (D1697A) | | | | | | |
| HP Vectra 486/33VL PC (CPL: 07/93) | | | | | | | | |
| D3025A | 1.44 MB (D2035A) | 120 MB (D1696A) | Integrated IDE controller | Integrated Ultra VGA (512 KB, upgradeable to 1 MB) | 4 MB | Opt. | None | |
| D3025B | | 170 MB (D2330A) | | | | | | |
| D3026A | | 240 MB (D1697A) | | | | | | |
| D3035A | | None | | | | | | |
| HP Vectra 486/66VL PC (CPL: 07/93) | | | | | | | | |
| D3028A | 1.44 MB (D2035A) | 240 MB (D1697A) | Integrated IDE controller | Integrated Ultra VGA (512 KB, upgradeable to 1 MB) | 4 MB | Opt. | None | |
| D3037A | | None | | | | | | |
| D3038A | | 450 MB (D2884A) | | | | | | |

*HP Sound DSP 16 includes: CD-ROM drive, audio/SCSI board, audio cable, SCSI cable, headphones, audio software and drivers, Kodak CD, and Users Guide.

SUPPORTED ACCESSORIES

| | |
|--|--------|
| 128 KB Second-Level Cache Memory Upgrade kit | D3029A |
| 512 KB Video Memory Upgrade kit | D2713A |
| 2 MB Main Memory Upgrade kit | D2381A |
| 4 MB Main Memory Upgrade kit | D2156A |
| 8 MB Main Memory Upgrade kit | D2152A |
| 16 MB Main Memory Upgrade kit | D2676A |
| Vectra 486VL <i>User's Guide</i> manual | D3020A |

Processor upgrades

| | |
|--|--------|
| 486VL Processor Upgrade to 486DX-33 (33 MHz) | D2169A |
|--|--------|

When you upgrade the processor, check the part number of the new processor and set the MHZ and DXGEN jumpers as described in the processor upgrade jumper configuration table.

Video Displays

| | |
|---|----------|
| Monochrome Display | D1192A/B |
| Ultra VGA Color Display 17-inch | D1193A |
| Super VGA Color Display 14-inch | D1194A |
| Ergo Super VGA Color Display 15-inch | D1195A |
| Ergo Ultra VGA Color Display 15-inch | D1196A |
| Color VGA Display | D1197A |
| Ultra VGA 1600 Display | D1199A |
| Monochrome VGA 14-inch Display | D2801A/B |
| Entry-Level SVGA 14-inch Display | D2802A |
| Super VGA 1024i 14-inch Display | D2804A |
| Ergo 1024 14-inch Display | D2805A |
| Ergo Ultra VGA 15-inch Display | D2806A |
| Ultra VGA 1280 17-inch Display | D2807A |
| Super VGA 14-inch Display (Low Emissions) | D2814A |

Multimedia Products

| | |
|-----------------|--------|
| HP Sound DSP 16 | D2941A |
|-----------------|--------|

Mass Storage

| | |
|----------------------------------|----------|
| Flexible Disk 1.44 MB 3-1/2 inch | D2035A |
| Flexible Disk 1.2 MB 5-1/4 inch | D2881A |
| IDE 120 MB Hard Disk | D1696A |
| IDE 240 MB Hard Disk | D1697A |
| IDE 170 MB Hard Disk | D2330A |
| IDE 450 MB Hard Disk | D2884A |
| SCSI CD-ROM Drive | D2886A/B |

| | |
|---|--------|
| 3.5-inch, h-h, Rails (5 pack) for non-HP flexible disk drives | D3566A |
| 5.25-inch, h-h, Rails (5 pack) for non-HP hard disk drives | D2880A |
| 3.5-inch, h-h, Tray (5 pack) for non-HP hard disk drives | D2037A |

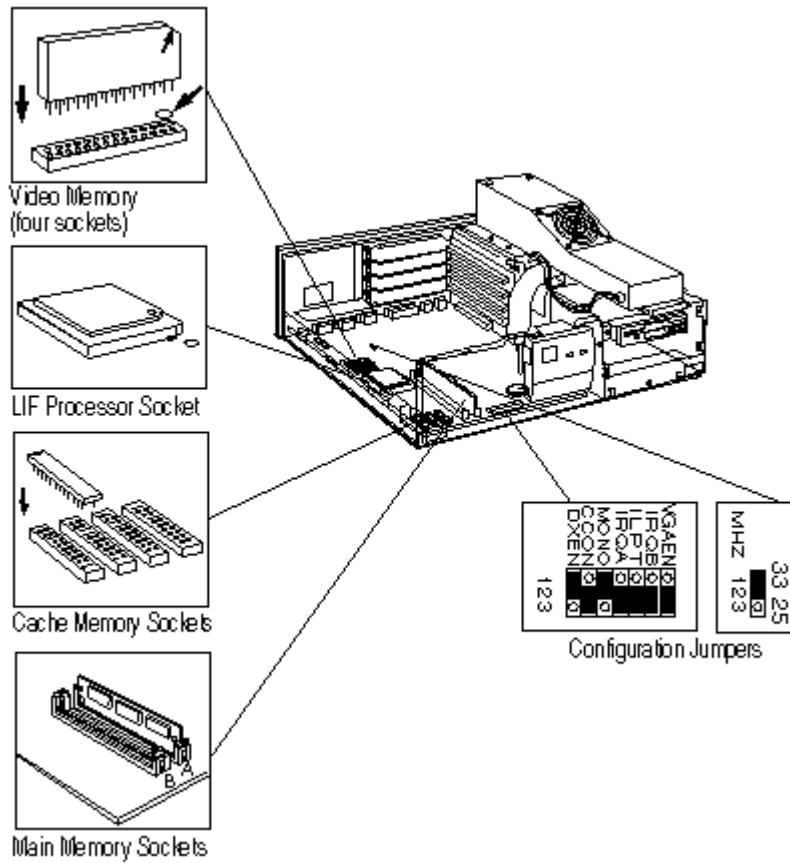
Datacomm and LAN Boards

| | |
|----------------------------|--------|
| Ethertwist PC Link Adapter | 27245A |
| Ethertwist Adapter/16 | 27247B |
| Token-Ring Adapter | D2378A |

Input Devices

| | |
|------------------------|--------|
| HP Logitech-type Mouse | C3751A |
| Keyboard | C3756A |

SYSTEM BOARD, BIOS, AND MEMORY



486VL Configuration Jumpers (7-way Block)

| <u>Jumper Setting</u> | <u>Function</u> | <u>Default</u> | |
|-----------------------|-----------------|--|----------------|
| VGAEN | 1-2 | Disables the integrated VGA. | 2-3 |
| | 2-3 | Enables the integrated VGA. (disable if a video board is installed) | |
| IRQB | 1-2 | Sets the IRQ for serial port 2 to IRQ15. | 2-3 |
| | 2-3 | Sets the IRQ for serial port 2 to IRQ3. | |
| ILPT | 1-2 | Sets the IRQ for the parallel port to IRQ5. | 2-3 |
| | 2-3 | Sets the IRQ for the parallel port to IRQ7 | |
| IRQA | 1-2 | Sets the IRQ for serial port 1 to IRQ9. | 2-3 |
| | 2-3 | Sets the IRQ for serial port 1 to IRQ4. | |
| MONO | 1-2 | Selects color video output. | 1-2 |
| | 2-3 | Selects the monochrome video output. | |
| CCON | 1-2 | Clears the configuration stored in CMOS. Clear the PC's configuration information if, for example, the configuration is corrupted. | 2-3 |
| | 2-3 | Retains the configuration information stored in CMOS. | |
| DXEN | 1-2 | Selects pinouts for the processor in the upgrade socket. (See Processor upgrades.) | SX-type |
| | 2-3 | | DX-type |

486VL Clock Selection Jumper (1-way Block)

| <u>Jumper Setting</u> | <u>Function</u> | <u>Default</u> | |
|-----------------------|-----------------|--|---|
| MHZ | 1-2 | Sets the bus speed of the processor board. | 486/33VL 486/66VL 486/25VL |
| | 2-3 | | |

Processor Upgrade - Jumper Configuration

| <u>Microprocessor Type</u> | <u>Jumper Setting</u> | |
|--|-----------------------|--------------|
| | <u>MHZ</u> | <u>DXGEN</u> |
| 486DX-33 | 1-2 | 2-3 |
| 486DX2-50 | 2-3 | 2-3 |
| DX OverDrive/25 | 2-3 | 2-3 |
| SX OverDrive/25 | 2-3 | 1-2 |
| 486DX2-66 | 1-2 | 2-3 |
| SX OverDrive/33 | 1-2 | 1-2 |
| DX OverDrive/33, Intel ODPR486DX-33 (DX pinouts) | 1-2 | 2-3 |
| DX OverDrive/33, Intel ODP486DX-33 (SX pinouts) | 1-2 | 1-2 |

IRQS AND I/O ADDRESSES FOR THE 486VL

IRQs and I/O addresses for the HP Vectra 486VL

| <u>IRQ</u> | <u>Function</u> | <u>I/O Port Hex</u> |
|-------------|--------------------------|---------------------|
| IRQ 3 (15)* | Serial Port 1 (COM2) | 2F8-2FF |
| IRQ 4 (9)* | Serial Port 0 (COM1) | 3F8-3FF |
| IRQ 6 | Flexible Disk Controller | 1F0-1F7 |
| IRQ 7 (5)* | Parallel Port 0 (LPT1) | 378-37F |
| - | Video | 3B0-3DF |

*Numbers in brackets indicate alternate IRQ selected by jumper on the system board. See the Configuration Jumpers table for details.

SETUP AND BIOS HISTORY

AMI BIOS includes a new SETUP program used on Vectra 486VL PCs. See the HP Vectra 486VL Familiarization guide for details.

| <u>BIOS Ver.</u> | <u>Date</u> | <u>Description</u> | <u>Kit Part No.</u> | <u>Min Setup</u> |
|----------------------------------|-------------|--|---------------------|------------------|
| Vectra 486VL PC Series | | | | |
| HP Vectra 486VL PC Series | | | | |
| AA.05.00 | July 93 | First release | N/A | N/A |
| AA.05.01 | Oct 93 | Support new video controller chip | N/A | N/A |
| AA.05.02 | Oct 93 | Improves memory area use on AA.05.01 versions only | N/A | N/A |

BEEP CODES FOR HP VECTRA 486VL ONLY

| <u>No. of beeps</u> | <u>Error</u> | <u>Suspect Component*</u> |
|---------------------|-------------------------------------|--|
| 1 | Memory refresh Failure | System board / Main memory module |
| 3 | Base 32KB Memory Failure | Main memory module |
| 4 | Timer Not Operational | System board |
| 5 | Processor Error | Processor chip / System board |
| 6 | 8042 Gate-A20 Failure | System board |
| 7 | Processor Exception Interrupt Error | Processor chip / System board |
| 8 | Display Memory R/W error | VRAM / System board / Add-in video adapter, if any |
| 9 | ROM Checksum error | ROM / System board |
| 10 | CMOS Shutdown Register R/W Error | System board |

*Most likely component listed first.

ERROR MESSAGES FOR HP VECTRA 486VL ONLY

| <u>Error Message</u> | <u>Suspect Component*</u> |
|--|--|
| 8042 Gate-A20 Error | Keyboard controller / System board / Keyboard |
| Address line short | System board |
| C:Drive Error | HDD Cable / HDD set-up / HDD / System board |
| C:Drive Failure | HDD Cable / HDD set-up / HDD |
| Cache Memory Bad Do Not Enable Cache! | System board |
| CH-2 Timer Error | |
| CMOS Battery State Low | Battery** |
| CMOS Checksum failure | Wrong set-up, run set-up program / Battery |
| CMOS Display Type Mismatch | |
| CMOS Memory Size Mismatch | |
| CMOS System Options Not Set | |
| CMOS Time And Date Not Set | |
| D:Drive Error | HDD Cable / HDD set-up / HDD / System board |
| D:Drive Failure | HDD cable / HDD set-up / HDD |
| Diskette Boot Failure | Corrupted diskette / FDD |
| Display Switch Not Proper | Wrong MONO jumper position on system board |
| DMA #1 Error | System board |
| DMA #2 Error | |
| DMA Error | |
| FDD Controller Failure | FDD Cable / System board |
| HDD Controller Failure | HDD Cable / System board |
| INTR #1 Error | System board |
| INTR #2 Error | |
| Invalid Boot Diskette | Wrong diskette |
| KB/Interface Error | Loose cable or connector / Keyboard / System board |
| Keyboard Error | Loose cable or connector / Keyboard |
| No ROM BASIC | HDD Cable / HDD set-up / HDD |

*Most likely component listed first.

**Customers are advised to change the battery on a yearly basis.

CACHE MEMORY

128 KB of second-level cache memory may be installed (except in the 486/25VL). All four chips must be installed.

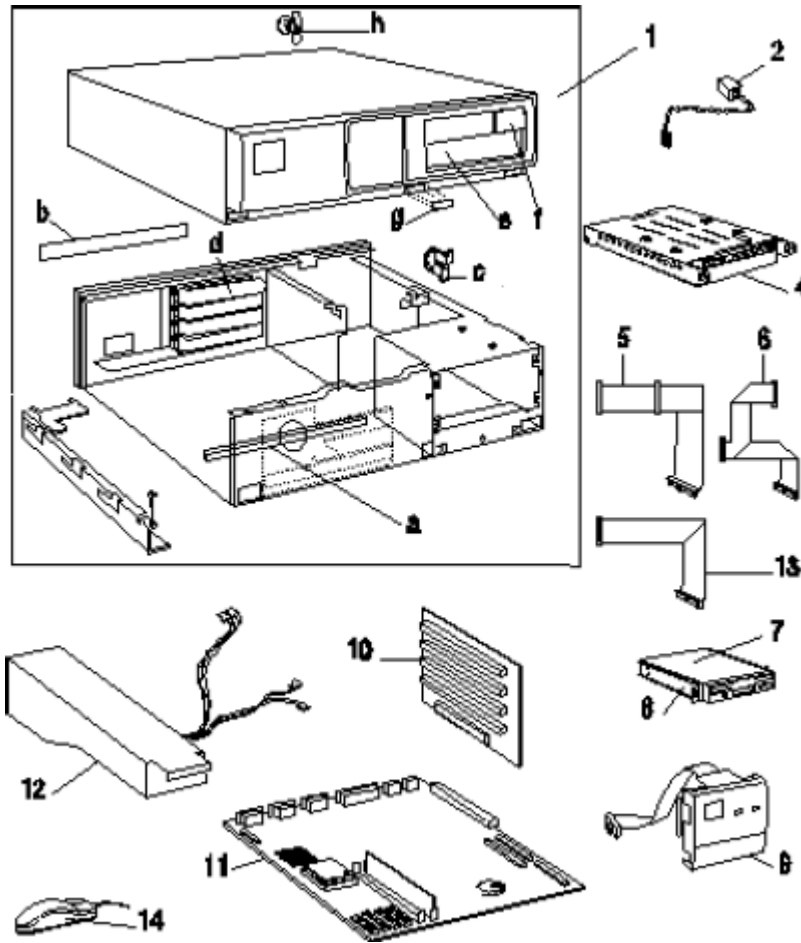
VIDEO MEMORY

If additional video memory is added, all four sockets must be filled.

MAIN MEMORY

2 MB, 4 MB, 8 MB, and 16 MB 32-bit main memory modules can be installed in *any combination* in the two sockets up to a maximum of 32 MB.

PART NUMBERS



Parts List for HP Vectra 486VL PC Series

| <u>Item</u> | <u>Description</u> | <u>Replacement Part Number</u> | <u>Exchange Part Number</u> |
|-------------|------------------------------|--------------------------------|-----------------------------|
| 1 | Box Assembly | 5063-4597 | — |
| | a System Board Guide | 5042-0507 | |
| | b Rear Bezel Connector Label | 5042-1177 | |
| | c Security Bracket | - | |
| | d I/O Panel Blank | 45935-00004 | |
| | e Filler Panel 5.25 inch | 5041-2578 | |
| | f Filler panel 1.75 inch | 5063-0877 | |
| | g Infrared Filler Cap | 5042-0505 | |
| | h Cover lock Assembly | 5062-5590 | |
| 2 | Battery* | 1420-0513 | — |

| | | | |
|----|--|----------------------------------|-------------|
| 4 | Hard Disk Drive (standard)** | | |
| | 106 MB (D3032-60003) | D1696-60007 | D1696-69003 |
| | 120 MB | D1696-60007 | D1696-69003 |
| | 170 MB | D2330-60003 | D2330-69001 |
| | 240 MB | D1697-60009 | D1697-69007 |
| | 450 MB | D2884-63003 | D2884-69003 |
| 5 | Hard Disk Cable (IDE drive) | 5182-1036 | — |
| 6 | Flexible Disk Drive Cable | 5182-1037 | — |
| 7 | Flexible Disk Drive (3.5-inch) | D2035-63004 | |
| 8 | Mounting Rails kit for 3.5-inch and 5.25-inch non-HP Disk Drives | 5063-7922 | — |
| 9 | Status (Control) Panel | 5063-0889 | — |
| 10 | Backplane Assembly | 5063-0887 | — |
| 11 | System Board | See PC's system board parts list | |
| 12 | Power Supply Assembly | 5063-0888 | — |
| 13 | Hard Disk Cable, flat (SCSI) | 5182-1045 | — |
| 14 | Mouse | C3751-60101 | — |
| | Nameplate | | |
| | HP Vectra 486/25VL Logo | 5042-0506 | |
| | HP Vectra 486s/33VL Logo | 5042-0522 | |
| | HP Vectra 486/33VL Logo | 5042-0508 | |
| | HP Vectra 486/66VL Logo | 5044-0509 | |

*Optional enhancement on 486VL (ensures longer lifespan than onboard button cell).

**For optional disk drive information, see the *Accessory Service Handbook*.

System Board Parts List for HP Vectra 486VL PC Series

| <u>Description</u> | <u>Replacement Part Number</u> | <u>Exchange Part Number</u> |
|--|--------------------------------|-----------------------------|
| System Board (includes integrated IDE disk and Ultra VGA+ controllers): | | |
| Vectra 486/25VL | D3021-63003* | D3021-69002* |
| Vectra 486s/33VL, 486/33VL, and 486/66VL | D3025-63002** | D3025-69002** |
| System Board Battery | 1420-0314*** | |
| Math Coprocessor: | | |
| 487SX-25 | non-HP | |
| Processor: | | |
| 486SX-25 'SL' | 5063-4561 | |
| 486SX-33 'SL' | 5063-4554 | |
| 486DX-33 | 1820-7615 | |
| 486DX2-66 'SL' | 1821-4584 | |
| Second Level Cache Memory Modules: | | |
| 128 KB Cache Memory Module | D3029A | |
| Main Memory Modules: | | |
| 2 MB Main Memory Module kit | 5063-5722 | |
| 4 MB Main Memory Module kit (32-bit) | 5182-1033 | |

Video Memory Modules:

512 KB Video Memory kit (D2713A) D2713-83001

*These assemblies are supplied without main memory modules.

**These assemblies are supplied with main memory modules or processors.

***Replace the battery with a Panasonic/Rayovac BR2325 battery, available from most local stores, or its equivalent HP battery using this number from your dealer or HP Sales and Service Office. Return the old battery to the supplier.

Support Manuals for HP Vectra 486VL PC Series

| | |
|---|------------------|
| Familiarization Guide | D302x+49A-900001 |
| Technical Reference Manual: Hardware and BIOS | None |

Part Numbers for HP Utility Diskettes

| | |
|---|-----------|
| VL2 Drivers and Utilities kit (For Windows and AutoCad) (v. 1.41) | 5063-5768 |
|---|-----------|

17 HP VECTRA 486XM PC SERIES

MODELS AND ACCESSORIES

| <u>Product Number</u> | <u>Flexible Drive A:</u> | <u>Hard Drive C:</u> | <u>Disk Controller</u> | <u>Video Controller</u> | <u>Std. RAM</u> | <u>Integ. LAN</u> | <u>L 2 Cache</u> |
|---|--------------------------|----------------------|------------------------|--|-----------------|-------------------|------------------|
| Vectra 486XM PC Series | | | | | | | |
| HP Vectra 486s/33XM PC (CPL: 07/93; discontinued: 08/94) | | | | | | | |
| D2901A | 1.44 MB | None | Integrated | Integrated | 4 MB | Yes | None |
| D2902A | (D2035A) | 170 MB (D2330A) | IDE controller | Ultra VGA 2 (1 MB, upgradeable to 2 MB) | | | (opt.) |
| D2903A | | 240 MB (D1697A) | | | | | |
| HP Vectra 486/33XM PC (CPL: 07/93; Discontinued: 08/94) | | | | | | | |
| D2911A | 1.44 MB | None | Integrated | Integrated | 4 MB | Yes | 128 |
| D2911B | (D2035A) | | IDE controller | Ultra VGA 2 (1 MB, upgradeable to 2 MB) | 8 MB | | KB |
| D2912A | | 170 MB (D2330A) | | | 4 MB | | |
| D2913A | | 240 MB (D1697A) | | | 8 MB | | |
| D2913B | | | | | | | |
| D2914A | | 450 MB (D2884A) | | | | | |
| HP Vectra 486/50XM PC (CPL: 07/93; Discontinued:08/94) | | | | | | | |
| D2921A | 1.44 MB | None | Integrated | Integrated | 4 MB | Yes | 256 |
| D2921B | (D2035A) | | IDE controller | Ultra VGA (1 MB, upgradeable to 2 MB) | 8 MB | | KB |
| D2923A | | 240 MB (D1697A) | | | | | |
| D2924A | | 450 MB (D2884A) | | | | | |
| HP Vectra 486/66XM PC (CPL: 07/93) | | | | | | | |
| D2931A | 1.44 MB | None | Integrated | Integrated | 4 MB | Yes | 256 |
| D2931B | (D2035A) | | IDE controller | Ultra VGA 2 (1 MB, upgradeable to 2 MB) | 8 MB | | KB |
| D2933A | | 240 MB (D1697A) | | | 8 MB | | |
| D2934A | | 450 MB (D2884A) | | | 16 MB | | |
| D2935A | | | | | | | |

SUPPORTED ACCESSORIES

| | |
|---|--------|
| 128 KB Second-Level Cache Memory Upgrade kit | D2943A |
| 256 KB Second-Level Cache Memory Upgrade kit | D2944A |
| 1 MB Video Memory Upgrade kit | D2942A |
| 2 MB Main Memory Upgrade kit | D2381A |
| 4 MB Main Memory Upgrade kit | D2156A |
| 8 MB Main Memory Upgrade kit | D2152A |
| 16 MB Main Memory Upgrade kit | D2676A |
| <i>Setting Up Your PC and Using Your PC</i> manuals | D2900A |

Coprocessor upgrade

| | |
|---|--------|
| 486XM PC with 487SX-33 Math Coprocessor | Non-HP |
|---|--------|

Processor upgrades

| | |
|--|--------|
| 486XM Processor Upgrade to 486DX-33 (33 MHz) | D2169A |
|--|--------|

Input Devices

| | |
|------------------------------------|--------|
| Mouse (PS/2, Microsoft) | C1413A |
| Keyboard | C1405B |
| Keyboard - new style (recommended) | C3756A |
| Mouse (PS/2 / Logitech) | C3751A |

Video Displays

| | |
|---|----------|
| Monochrome Display | D1192A/B |
| Ultra VGA Color Display 17-inch | D1193A |
| Super VGA Color Display 14-inch | D1194A |
| Ergo Super VGA Color Display 15-inch | D1195A |
| Ergo Ultra VGA Color Display 15-inch | D1196A |
| Color VGA Display | D1197A |
| Ultra VGA 1600 Display | D1199A |
| Monochrome VGA 14-inch Display | D2801A/B |
| Entry-Level SVGA 14-inch Display | D2802A |
| Super VGA 1024i 14-inch Display | D2804A |
| Ergo 1024 14-inch Display | D2805A |
| Ergo Ultra VGA 15-inch Display | D2806A |
| Ultra VGA 1280 17-inch Display | D2807A |
| Super VGA 14-inch Display (Low Emissions) | D2814A |

Multimedia Products

| | |
|----------------------|--------|
| HP Sound DSP 16 | D2941A |
| HP Integrated Office | D2887A |

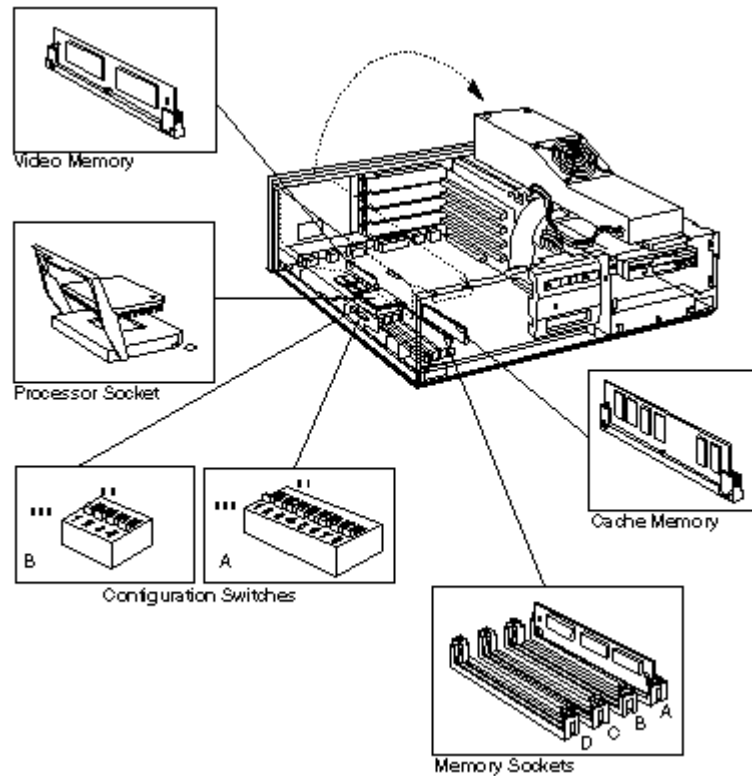
Mass Storage

| | |
|---|----------|
| Flexible Disk 1.44 MB 3-1/2 inch | D2035A |
| Flexible Disk 1.2 MB 5-1/4 inch | D2881A |
| IDE 120 MB Hard Disk | D1696A |
| IDE 240 MB Hard Disk | D1697A |
| IDE 170 MB Hard Disk | D2330A |
| IDE 170 MB Hard Disk | D2330B |
| IDE 210 MB Hard Disk | D2387A |
| IDE 450 MB Hard Disk | D2884A |
| IDE 340 MB Hard Disk | D2890A |
| IDE 540 MB Hard Disk | D2891A/B |
| IDE 270 MB Hard Disk | D2894A/B |
| SCSI 430 MB Hard Disk | D1699A |
| SCSI CD-ROM Drive | D2886A/B |
| 3.5-inch, h-h, Rails (5 pack) for non-HP flexible disk drives | D3566A |
| 5.25-inch, h-h, Rails (5 pack) for non-HP hard disk drives | D2880A |
| 3.5-inch, h-h, Tray (5 pack) for non-HP hard disk drives | D2037A |

Datacomm and LAN Boards

| | |
|----------------------------|--------|
| Serial Parallel Board | 24540B |
| Dual Serial Board | 24541B |
| Ethertwist PC Link Adapter | 27245A |
| Ethertwist Adapter/16 | 27247A |
| Ethertwist Adapter/16 | 27247B |
| HP ThinLAN Board | 27250A |
| Token-Ring Adapter | D2378A |
| Coaxial LAN Adapter Board | D2746A |

SYSTEM BOARD, BIOS, AND MEMORY



486XM PC Switch Block SW-A

| Switch | Function | Default | |
|--------|----------|---|-----|
| 1 | OFF | Mouse interrupt IRQ12 — enabled | OFF |
| | ON | Mouse interrupt IRQ12 — disabled (disable mouse if an accessory board uses IRQ12) | |
| 2 | OFF | Video interrupt IRQ9 — disabled | OFF |
| | ON | Video interrupt IRQ9 — enabled | |
| 3 | OFF | Integrated Ultra VGA controller — enabled | OFF |
| | ON | Integrated Ultra VGA Controller — disabled (disable built-in video if another video board is used) | |
| 4 | OFF | Passwords — enabled | OFF |
| | ON | Passwords — disabled (erased) | |
| 5 | OFF | EEPROM stored configuration information — valid | OFF |
| | ON | EEPROM stored configuration information — erased | |
| 6 | OFF | Security mode — disabled | OFF |
| | ON | Security mode — configuration cannot be changed using Setup | |
| 7 | OFF | Flash ROM updates — enabled | OFF |
| | ON | Flash ROM updates — disabled | |
| 8 | OFF | Not used | OFF |

486XM PC Switch Block SW-B

| <u>Switch</u> | <u>Name</u> | <u>Function</u> | | |
|---------------|-------------|--|--------|---|
| 1 | Reserved | Not used (OFF) | | |
| 2 | IO399 | Sets the super I/O controller's* I/O port addresses (hex): OFF: 398 — 399 (default) ON: 26E — 26F | | |
| 3 | MHZ-2 | OFF | OFF | MHZ-1 and MHZ-2 set the speed of the processor's external clock — Set to 25 MHz for Overdrive/25 (50 MHz internal clock) and 33 MHz for Overdrive/33 (66 MHz internal clock). Setting a speed higher than the processor's rated bus speed could damage the processor |
| 4 | MHZ-1 | OFF | ON | |
| | | 25 MHz | 33 MHz | |

*Super I/O controller: the integrated parallel port controller, serial port controller, flexible disk controller, and IDE hard disk interface.

SETUP AND BIOS HISTORY

Setup version "D.xx.xx" is used on Vectra 486XM PCs.

| <u>BIOS Ver.</u> | <u>Date</u> | <u>Description</u> | <u>Kit Part No.</u> | <u>Min Setup</u> |
|----------------------------------|-------------|--------------------|---------------------------------|------------------|
| Vectra 486XM PC Series | | | | |
| HP Vectra 486XM PC Series | | | | |
| W.04.01 | June 93 | First release | Available on HP PC Internal BBS | N/A |

CACHE MEMORY

HP Vectra 486XM PC has a second-level cache memory socket. A 128 KB second-level cache memory module or a 256 KB second-level cache memory module may be installed.

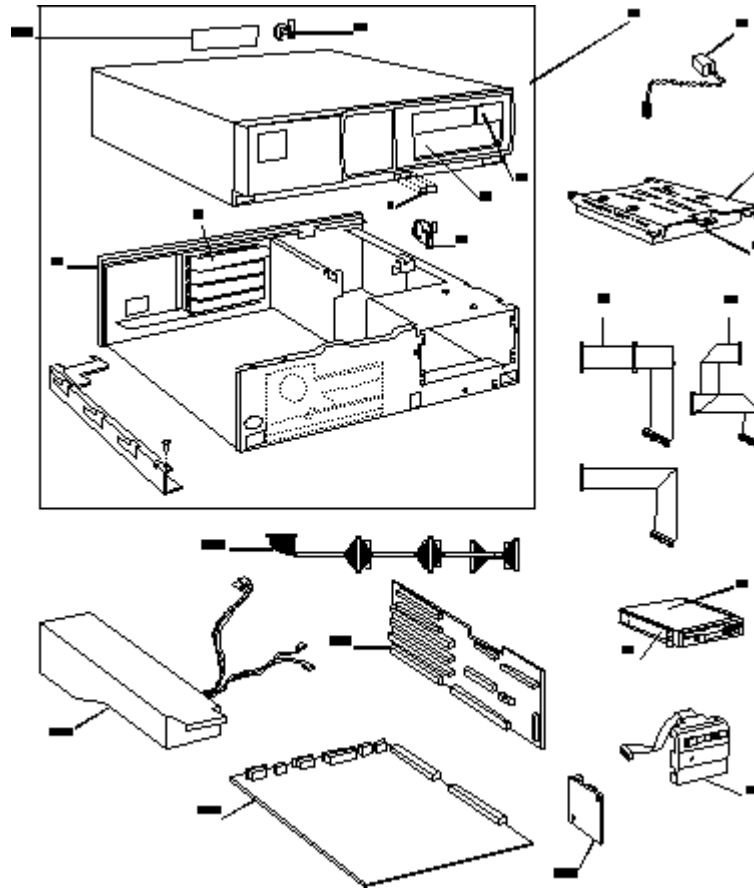
VIDEO MEMORY

The PC is supplied with 1 MB of video memory for 1280 x 1024 in 256 colors. An additional 1 MB video memory module can be installed in a video memory socket (to make a total of 2 MB) for 1280 x 1024 in 64 K colors.

MAIN MEMORY

HP Vectra 486XM PC has four sockets on the system board labeled A, B, C, and D. Main memory modules can be installed in any combination *in any of the four sockets* up to a maximum of 64 MB.

PART NUMBERS



Parts List for HP Vectra 486XM PC Series

| <u>Item</u> | <u>Description</u> | <u>Replacement Part Number</u> | <u>Exchange Part Number</u> |
|-------------|---|--------------------------------|-----------------------------|
| 1 | Box Assembly | 5063-4597 | — |
| | a Rear Bezel | 5041-2589 | |
| | b Security Bracket | - | |
| | c I/O Panel Blank | 45935-00004 | |
| | d Filler Panel 5.25 inch | 5041-2578 | |
| | e Filler panel 1.75 inch | 5063-0877 | |
| | f Infrared Filter/Cap* | - | |
| | g Cover lock Assembly | 5062-5590 | |
| | Rear Bezel (Serial/LAN) | 5041-2589 | — |
| 2 | Battery | 1420-0513 | — |
| 3 | 3.5-inch, h-h, Tray (5 pack) for non-supported hard disk drives | Order product number D2037A | |
| 4 | Hard Disk Drive (standard): | | |
| | 120 MB | D1696-60007 | D1696-69003 |
| | 170 MB | D2330-60003 | D2330-69001 |
| | 240 MB | D1697-60009 | D1697-69007 |
| | 450 MB | D2884-63003 | D2884-69003 |

| | | | |
|----|---|----------------------------------|---|
| 5 | Hard Disk Cable (IDE drive) | 5182-0311 | — |
| 6 | Flexible Disk Drive Cable | 5182-1089 | — |
| 7 | 3.5-inch Flexible Disk Drive 1.44 MB | D2035-63021 | — |
| 8 | Mounting Rails for 3.5-inch non-HP Disk Drives | 5063-0309 | — |
| 9 | Status (Control) Panel | 5063-0876 | — |
| 10 | Infrared Assembly | 5063-0850 | — |
| 11 | Backplane Assembly | 5063-0849 | — |
| 12 | System Board | See PC's system board parts list | |
| 13 | Power Supply Assembly 75W | 5063-4553 | — |
| 14 | Hard Disk Cable, flat (SCSI) | 5181-1045 | — |
| 15 | Serial Label | 5181-0395 | — |
| | Mounting Rails for 5.25-inch non-HP Disk Drives | Order product number D2880A | |
| | Nameplate | | |
| | HP Vectra 486s/33XM Logo | 5041-2588 | |
| | HP Vectra 486/33XM Logo | 5041-2596 | |
| | HP Vectra 486/50XM Logo | 5041-2597 | |
| | HP Vectra 486/66XM Logo | 5041-2598 | |

*The XM PCs have a filter P/N 5042-0504 for the integrated infrared adapter.

System Board Parts List for HP Vectra 486XM PC Series

| <u>Description</u> | <u>Replacement Part Number</u> | <u>Exchange Part Number</u> |
|--|--------------------------------|-----------------------------|
| System Board (includes integrated IDE disk and Ultra VGA 2 controllers, and integrated Ethernet): | | |
| Vectra 486s/33XM | D2902-63001* | D2902-69001* |
| Vectra 486/33XM | D2912-63001* | D2912-69001* |
| Vectra 486/50XM | D2912-63001* | D2912-69001* |
| Vectra 486/66XM | D2912-63001* | D2912-69001* |
| LAN Adapters: | | |
| Coaxial Adapter Board (D2746A) | D2746-63001 | |
| Math Coprocessor: | | |
| 487SX-33 | non-HP | |
| Processor: | | |
| 486DX-33 | 1820-7615 | |
| 486DX2-50 'SL' | 5063-4583 | |
| 486DX2-66 'SL' | 5063-4584 | |
| Cache Memory Modules: | | |
| 128 KB 2nd Cache Memory Module (D2943A) | 5063-0879 | |
| 256 KB 2nd Cache Memory Module (D2944A) | 5063-0880 | |

*These replacement assemblies are supplied without a processor chip.

Main Memory Modules:

| | | |
|---------------------------------------|-------------|-------------|
| 2 MB Main Memory Module kit | 5063-5722 | |
| 4 MB Main Memory Module kit (36-bit) | 1818-4703 | D2156-69001 |
| 4 MB Main Memory Module (32-bit) | 5182-1033 | |
| 8 MB Main Memory Module kit (36-bit) | 1818-4702 | D2152-69001 |
| 8 MB Main Memory Module (32-bit) | 5063-0890 | |
| 16 MB Main Memory Module kit (36-bit) | D2676-83001 | |

Video Memory Modules:

| | |
|---------------------------------------|-----------|
| 1 MB Video Memory Module kit (D2942A) | 5063-0881 |
|---------------------------------------|-----------|

Support Manuals for HP Vectra 486XM PC Series

| | |
|---|-------------------|
| Familiarization Guide | D29xxA+49A-900001 |
| Technical Reference Manual: Hardware and BIOS | 5961-4589 |

Part Numbers for HP Utility Diskettes

| <u>Description</u> | <u>Rev</u> | <u>Date Code</u> | <u>Part #</u> | <u>Info.</u> |
|--|------------|------------------|---------------|--------------------------|
| Windows & DOS Video Drivers | A.01.05 | 3345 | 5063-4534 | Refer to HP Internal BBS |
| OS/2 Video Drivers | A.01.00 | 3321 | | |
| Lan Drivers for HP Integrated Ethernet Interface | A.02.02 | 3345 | 5063-4535 | |

18 HP VECTRA M2 PC SERIES

MODELS AND ACCESSORIES

| <u>Product Number</u> | <u>Flexible Drive A:</u> | <u>Hard Drive C:</u> | <u>Disk Controller</u> | <u>Video Controller</u> | <u>Std. RAM</u> | <u>Integ. LAN</u> | <u>L 2 Cache</u> |
|---|--------------------------|----------------------|--|---|-----------------|-------------------|------------------|
| Vectra M2 PC Series | | | | | | | |
| HP Vectra M2 4/33s PC (CPL: 06/94; discontinued: 02/95) | | | | | | | |
| D3151A | 1.44 MB | None | Integrated | Integrated | 8 MB | None | None |
| D3152A | (D2035A) | 210 MB (D2387A) | Fast IDE controller on local bus | Ultra VGA (1 MB, 60 ns) | | | None (opt.) |
| D3182A | | 340 MB (D2890A) | | | | | |
| HP Vectra M2 4/33si PC (CPL: 06/94; discontinued: 02/95) | | | | | | | |
| D3153A | 1.44 MB (D2035A) | 210 MB (D2387A) | Integrated Fast IDE controller on local bus | Integrated Ultra VGA (1 MB, 60 ns) | 8 MB | Yes | None (opt.) |
| HP Vectra M2 4/50 PC (CPL: 06/94) | | | | | | | |
| D3158A | 1.44 MB | None | Integrated | Integrated | 8 MB | None | None |
| D3159A | (D2035A) | 210 MB (D2387A) | Fast IDE controller on local bus | Ultra VGA (1 MB, 60 ns) | | | None (opt.) |
| D3159B | | 270 MB (D2388A) | | | | | |
| D3183A | | 340 MB (D2890A) | | | | | |
| D3183B | | 540 MB (D2389A) | | | | | |
| HP Vectra M2 4/50i PC (CPL: 06/94) | | | | | | | |
| D3157A | 1.44 MB (D2035A) | 210 MB (D2387A) | Integrated Fast IDE controller on local bus | Integrated Ultra VGA (1 MB, 60 ns) | 8 MB | Yes | None (opt.) |
| D3157B | | 270 MB (D2388A) | | | | | |
| HP Vectra M2 4/50s PC (CPL: 06/94; discontinued: 05/95) | | | | | | | |
| D3380A | 1.44 MB | None | Integrated | Integrated | 8 MB | None | None |
| D3381B | (D2035A) | 270 MB (D2388A) | Fast IDE controller on local bus | Ultra VGA (1 MB, 60 ns) | | | None (opt.) |
| HP Vectra M2 4/50si PC (CPL: 06/94; discontinued: 05/95) | | | | | | | |
| D3382A | 1.44 MB (D2035A) | 270 MB (D2388A) | Integrated Fast IDE controller on local bus | Integrated Ultra VGA (1 MB, 60 ns) | 8 MB | Yes | None (opt.) |

| <u>Product Number</u> | <u>Flexible Drive A:</u> | <u>Hard Drive C:</u> | <u>Disk Controller</u> | <u>Video Controller</u> | <u>Std. RAM</u> | <u>Integ. LAN</u> | <u>L 2 Cache</u> |
|--|--------------------------|----------------------|------------------------|-------------------------|-----------------|-------------------|------------------|
| HP Vectra M2 4/66 PC (CPL: 06/94) | | | | | | | |
| D3161A | 1.44 MB | None | Integrated | Integrated | 8 MB | None | None |
| D3162A | (D2035A) | 340 MB | Fast IDE | Ultra VGA | | | (opt.) |
| D3386A | | 540 MB | controller | (1 MB, 60 | | | |
| | | (D2389A) | on local bus | ns) | | | |
| HP Vectra M2 4/66i PC (CPL: 06/94) | | | | | | | |
| D3387A | 1.44 MB | 540 MB | Integrated | Integrated | 8 MB | None | None |
| | (D2035A) | (D2389A) | Fast IDE | Ultra VGA | | | (opt.) |
| | | | controller | (1 MB, 60 | | | |
| | | | on local bus | ns) | | | |
| HP Vectra M2 4/100 PC (CPL: 06/94) | | | | | | | |
| D3185A | 1.44 MB | None | Integrated | Integrated | 8 MB | None | 256 KB |
| D3164A | (D2035A) | 340 MB | Fast IDE | Ultra VGA | | | |
| D3388A | | 540 MB | controller | (1 MB, 60 | | | |
| | | (D2389A) | on local bus | ns) | | | |
| HP Vectra M2 4/100i PC (CPL: 06/94) | | | | | | | |
| D3389A | 1.44 MB | 540 MB | Integrated | Integrated | 8 MB | None | 256 KB |
| | (D2035A) | (D2389A) | Fast IDE | Ultra VGA | | | |
| | | | controller | (1 MB, 60 | | | |
| | | | on local bus | ns) | | | |

SUPPORTED ACCESSORIES

| | |
|---------------------------------|--------|
| 512 KB Video Memory Upgrade Kit | D3169A |
| 128 KB Cache Memory Upgrade Kit | D3168A |
| 256 KB Cache Memory Upgrade Kit | D2944A |
| 4 MB Main Memory Upgrade Kit | D2974A |
| 8 MB Main Memory Upgrade Kit | D2975A |
| 16 MB Main Memory Upgrade Kit | D2297A |
| 32 MB Main Memory Upgrade Kit | D2298A |

Input Devices

| | |
|------------------------------------|--------|
| Keyboard - new style (recommended) | C3756A |
| Mouse (PS/2 / Logitech) | C3751A |

Video Displays

| | |
|---|----------|
| Monochrome Display | D1192A/B |
| Ultra VGA Color Display 17-inch | D1193A |
| Super VGA Color Display 14-inch | D1194A |
| Ergo Super VGA Color Display 15-inch | D1195A |
| Ergo Ultra VGA Color Display 15-inch | D1196A |
| Color VGA Display | D1197A |
| Ultra VGA 1600 Display | D1199A |
| Monochrome VGA 14-inch Display | D2801A/B |
| Entry-Level SVGA 14-inch Display | D2802A |
| Super VGA 1024i 14-inch Display | D2804A |
| Ergo 1024 14-inch Display | D2805A |
| Ergo Ultra VGA 15-inch Display | D2806A |
| Ultra VGA 1280 17-inch Display | D2807A |
| Super VGA 14-inch Display (Low Emissions) | D2814A |

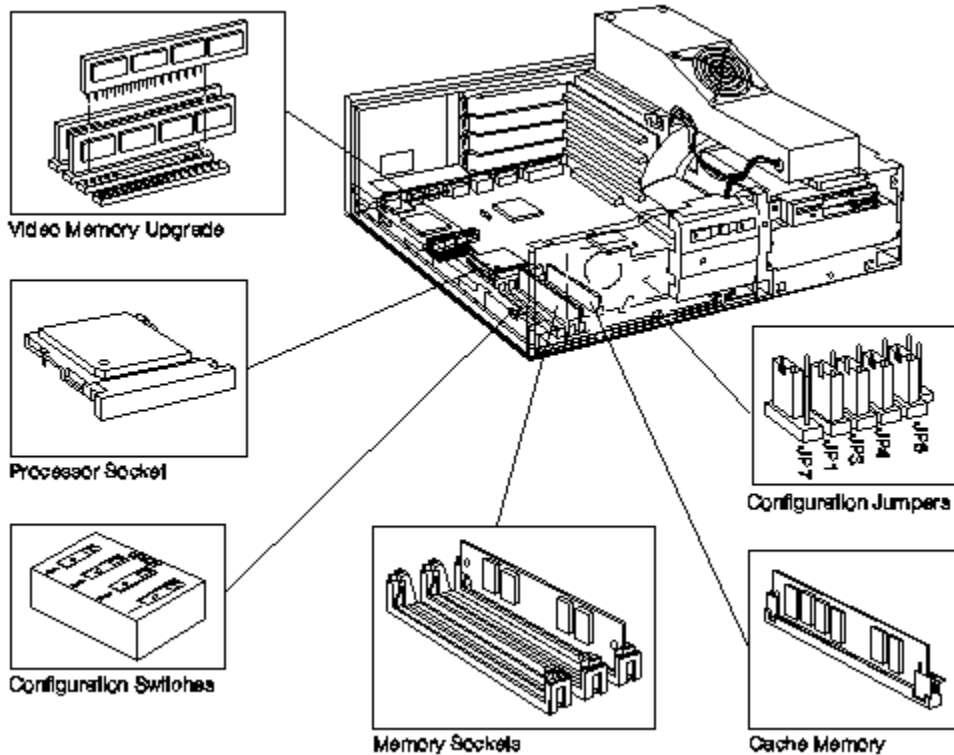
Multimedia Products

| | |
|----------------------|--------|
| HP Sound DSP 16 | D2941A |
| HP Integrated Office | D2887A |

Mass Storage

| | |
|---|----------|
| Flexible Disk 1.44 MB 3-1/2 inch | D2035A |
| Flexible Disk 1.2 MB 5-1/4 inch | D2881A |
| IDE 170 MB Hard Disk | D2330B |
| IDE 210 MB Hard Disk | D2387A |
| IDE 450 MB Hard Disk | D2884A |
| IDE 340 MB Hard Disk | D2890A |
| IDE 540 MB Hard Disk | D2389A |
| IDE 270 MB Hard Disk | D2388A |
| SCSI CD-ROM Drive | D2886A/B |
| 3.5-inch, h-h, Rails (5 pack) for non-HP disk drives | D3566A |
| 5.25-inch, h-h, Rails (5 pack) for non-HP disk drives | D2880A |
| 3.5-inch, h-h, Tray (5 pack) for non-HP disk drives | D2037A |

SYSTEM BOARD, BIOS, AND MEMORY



M2 Configuration Jumpers

| <u>Jumper Setting</u> | <u>Function</u> | <u>Default</u> | |
|-----------------------|-----------------|--|------|
| JP1 | 1-2 2-3 | PENTIUM Overdrive: Level-one cache write through mode. PENTIUM Overdrive: Level-one cache write back mode. | 2-3 |
| JP2 | 9-10 11-12 | Select IRQ 7 for LPT Select IRQ 5 for LPT | 9-10 |
| JP3* | 1-2 2-3 | Select 33 MHz processor speed Select 25 MHz processor speed | |
| JP4 | 1-2 2-3 | Select > 33 MHz processor speed Select 25/33 MHz processor speed | 2-3 |
| JP7 | 1-2 2-3 | VESA ID bit (CPU speed <= 33 MHz) VESA ID bit (CPU speed > 33 MHz) | 1-2 |
| JP8* | 1-2 2-3 | IntelDX4 processor Other processor | |

*Default setting dependent on model.

M2 System Board Switches

| Switch # | Function | Default | |
|-------------|---------------|---|---------------|
| 1 SECUR | CLOSED | Enables security mode to prevent changes to the PC's configuration | CLOSED |
| | OPEN | Disables security mode to allow changes to the PC's configuration | |
| 2 VGAEN | OPEN | Enables VGA | OPEN |
| | CLOSED | Disables VGA | |
| 3 CONFIG | OPEN | Retain the configuration stored in CMOS | OPEN |
| | CLOSED | Clear the configuration stored in CMOS Switch to CLOSED if you need to clear the PC's configuration information, for example, if the configuration is corrupted. | |
| 4 PSWRD | OPEN | Enables the passwords to be set and stored in CMOS | OPEN |
| | CLOSED | Disables the passwords Switch to CLOSED if you need to clear the current password. | |

IRQS AND I/O ADDRESSES

| IRQ | Function | I/O Port Hex |
|------------|-----------------------------|--------------|
| IRQ 3 | Serial Port B (COM2) or LAN | 3F8-3FF |
| IRQ 4 | Serial Port A (COM1) or LAN | 2F8-2FF |
| IRQ 6 | Flexible Disk Controller | 3F0-3F7 |
| IRQ 7 (5)* | Parallel Port 1 (LPT1) | 378-37F |
| IRQ 14 | IDE Hard Disk Controller | 1F0-1F7 |
| - | Video controller | 3B0-3DF |

*Numbers in brackets indicate alternate IRQ selected by jumper on the system board. See the Configuration Jumpers table for details.

SETUP AND BIOS HISTORY

The HP BIOS includes a SETUP program.

See the HP Vectra M2 *Familiarization Guide* for details.

| BIOS Ver. | Date | Description | Kit Part No. | Min Setup |
|-------------------------------|---------|---------------|--------------|-----------|
| Vectra M2 PC Series | | | | |
| HP Vectra M2 PC Series | | | | |
| GB.04.03 | June 94 | First release | N/A | N/A |

CACHE MEMORY

HP Vectra M2 PCs have one cache memory socket. A 128 KB or 256 KB second-level cache memory kit may be installed in all HP Vectra M2 PCs except the HP Vectra 4/100. The HP Vectra 4/100 PC has 256 KB second-level cache memory as standard.

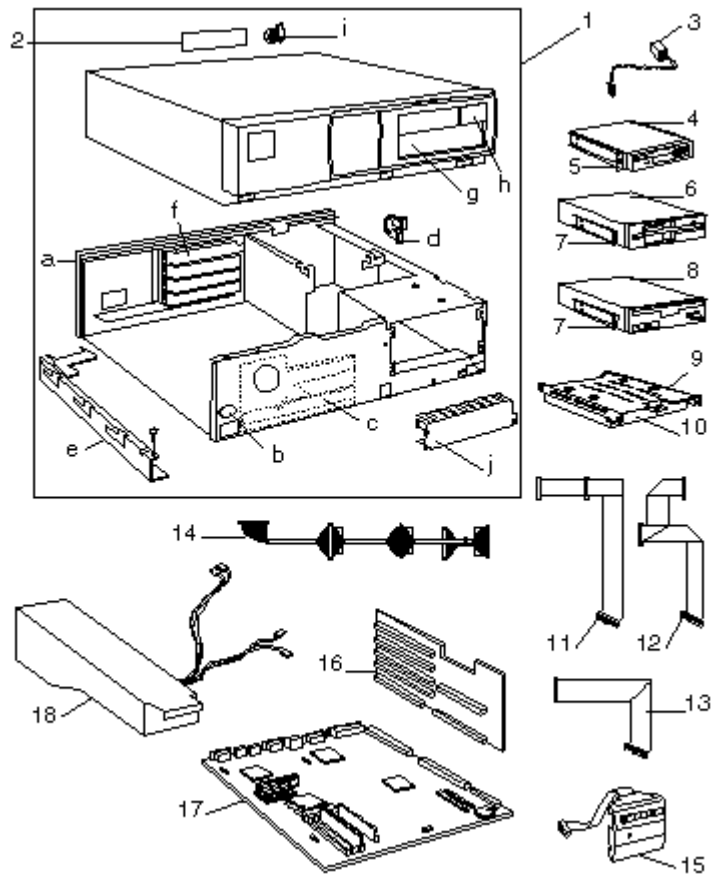
VIDEO MEMORY

The PC is supplied with 1 MB of video memory for 1024 x 768 in 256 colors. An additional 1 MB of video memory (two 512 KB video memory modules) can be installed in the video memory sockets (to make a total of 2 MB for 1024 x 768 in 64 K colors).

MAIN MEMORY

The HP Vectra M2 PC has three sockets on the system board and is supplied with 8 MB main memory as standard. Main memory modules (36-bit) of 4 MB, 8 MB, 16 MB, and 32 MB can be installed in *any combination* in the sockets, up to a maximum of 96 MB.

PART NUMBERS



Parts List for HP Vectra M2 PC Series

| <u>Item</u> | <u>Description</u> | <u>Replacement Part Number</u> | <u>Exchange Part Number</u> |
|-------------|--|--|-----------------------------|
| 1 | Box Assembly | 5063-4597 | — |
| | a Rear Bezel | - | |
| | b Bumper Foot | - | |
| | c System Board Guide | - | |
| | d Security Bracket | - | |
| | e Side Panel | - | |
| | f I/O Panel Blank | | |
| | g Filler Panel 5.25 inch | 5041-2578 | |
| | h Filler panel 1.75 inch | 5063-0877 | |
| | i Cover lock Assembly | 5062-5590 | |
| | j RFI filler panel | - | |
| 2 | Rear Bezel label | 5042-0558 | — |
| 3 | 3 V Battery | 1420-0535* | — |
| | 4.5 V Battery (optional accessory) | 1420-0513 | |
| 4 | Flexible Disk Drive, 3.5-inch | D2035-63004 | — |
| 5 | Mounting Rails for 3.5-inch non-HP Disk Drives | 5063-0309 | — |
| 7 | Mounting Rails for 5.25-inch devices | 5063-7922 | — |
| 8 | CD-ROM drive | See disk drive parts list in <i>Accessory Service Handbook</i> | |
| 10 | Hard Disk Drive | | |
| | 210 MB | D2387-63001 | D2387-69001 |
| | 270 MB | D2388-63001 | D2388-69001 |
| | 340 MB | D2890-63021 | D2890-69021 |
| | 540 MB | D2389-63001 | D2389-69001 |
| 11 | Hard Disk Cable (IDE drive) | 5182-1090 | — |
| 12 | Flexible Disk Drive Cable | 5181-1091 | — |
| 13 | Hard disk cable, flat (SCSI) | 5181-1045 | — |
| 14 | Hard disk cable, round (SCSI) | 5181-0397 | — |
| 15 | Status (Control) Panel | 5063-5705 | — |
| 16 | Backplane Assembly | 5063-5718 | — |
| 17 | System Board | See PC's system board parts list | |
| 18 | Power Supply Assembly | 5063-4553 | — |

*Replace the battery with a Panasonic/Rayovac BR2335 battery, available from most local stores, or its equivalent HP battery using this number from your dealer or HP Sales and Service Office. Return the old battery to the supplier.

Parts List for HP Vectra M2 PC Series

| <u>Item</u> | <u>Description</u> | <u>Repl. Part Number</u> | <u>Exchange Part Number list</u> |
|-------------|--------------------------|--------------------------|----------------------------------|
| | Nameplates | | |
| | HP Vectra M2 4/33s Logo | 5042-0533 | — |
| | HP Vectra M2 4/33si Logo | 5042-0534 | — |
| | HP Vectra M2 4/50 Logo | 5042-0541 | — |
| | HP Vectra M2 4/50i Logo | 5042-0536 | — |
| | HP Vectra M2 4/50s Logo | 5042-1121 | — |
| | HP Vectra M2 4/50si Logo | 5042-1122 | — |
| | HP Vectra M2 4/66 Logo | 5042-0537 | — |
| | HP Vectra M2 4/66i Logo | 5042-1123 | — |
| | HP Vectra M2 4/100 Logo | 5042-0542 | — |
| | HP Vectra M2 4/100i Logo | 5042-1124 | — |

System Board Parts List for HP Vectra M2 PC Series

| <u>Description</u> | <u>Replacement Part Number</u> | <u>Exchange Part Number</u> |
|---|--------------------------------|-----------------------------|
| System Board (includes integrated IDE disk and Ultra VGA+ controllers):* | | |
| Vectra M2 4/XX and Vectra M2 4/XXs | D3151-63001* | D3151-69001* |
| Vectra M2 4/XXi and Vectra M2 4/XXsi | D3153-63001* | D3153-69001* |
| Vectra M2 4/100 | D3185-63001* | D3185-69001* |
| Vectra M2 4/100i | D3189-63001* | D3189-69001* |
| Processor: | | |
| 486SX-33 'SL' | 5063-4554 | |
| 486DX2-50 'SL' | 5063-4583 | |
| 486DX2-66 'SL' | 5063-4584 | |
| 486DX4-100 'SL' | 5063-4598 | |
| Second Level Cache Memory Modules: | | |
| 128 KB Cache Memory Module kit (D3168A) | D3168-63001 | |
| 256 KB Cache Memory Module kit (D2944A) | 5063-0880 | |
| Main Memory Modules (70 ns): | | |
| 4 MB Main Memory Module kit, 36-bit (D2974A) | D2974-63001 | |
| 8 MB Main Memory Module kit, 36-bit (D2975A) | D2975-63001 | |
| 16 MB Main Memory Module kit, 36-bit (D2297A) | D2297-63001 | D2297-69001 |
| 32 MB Main Memory Module kit, 36-bit (D2298A) | D2298-63001 | D2298-69001 |
| Video Memory Modules: | | |
| 512 KB Video Memory kit (D3169A) | D3169-83001 | |

*These assemblies are supplied without main memory modules.

Support Manuals for HP Vectra M2 PC Series

| | |
|---|------------------|
| Familiarization Guide | D314x+49A-900001 |
| Technical Reference Manual: Hardware and BIOS | None* |

*Electronic File only.

Part Numbers for HP Utility Diskettes

| <u>Description</u> | <u>Rev</u> | <u>Date Code</u> | <u>Part #</u> | <u>Info.</u> |
|--------------------------------|------------|------------------|---------------|--------------|
| Windows & DOS Video Drivers | | — | 5063-4532 | Kit |

19 HP VECTRA VE 4/XX PC SERIES

MODELS AND ACCESSORIES

| <u>Product Number</u> | <u>Flexible Drive A:</u> | <u>Hard Drive C:</u> | <u>Disk Controller</u> | <u>Video Controller</u> | <u>Std. RAM</u> | <u>L 2 Cache</u> |
|---|--------------------------|----------------------|------------------------------------|--------------------------------------|-----------------|------------------|
| HP Vectra VE 4/xx PC Series | | | | | | |
| HP Vectra VE 4/50 PC (CPL: 07/95) | | | | | | |
| D3491A | 1.44 MB | None | Integrated | Integrated | 4 MB | Opt. |
| D3492A | (D2035B) | 270 MB (D2390) | Enhanced IDE controller on PCI bus | Ultra VGA (1 MB upgradeable to 2 MB) | 8 MB | |
| D3493A | | 420 MB (D2906) | | | | |
| HP Vectra VE 4/66 PC (CPL: 07/95) | | | | | | |
| D3494A | 1.44 MB | None | Integrated | Integrated | 4 MB | Opt. |
| D3495A | (D2035B) | 270 MB (D2390) | Enhanced IDE controller on PCI bus | Ultra VGA (1 MB upgradeable to 2 MB) | 8 MB | |
| D3496A | | 420 MB (D2906) | | | | |
| D3497A | | 840 MB (D2393) | | | | |
| D3498A | | | | | 16 MB | |
| D3499A | | | | | | |
| HP Vectra VE 4/100 PC (CPL: 07/95) | | | | | | |
| D3501A | 1.44 MB | None | Integrated | Integrated | 4 MB | Opt. |
| D3502A | (D2035B) | 420 MB (D2906) | Enhanced IDE controller on PCI bus | Ultra VGA (1 MB upgradeable to 2 MB) | 8 MB | |
| D3503A | | 840 MB (D2393) | | | | |

SUPPORTED ACCESSORIES

| | |
|--|--------|
| 1 MB Video Memory Upgrade Kit | D3500A |
| 256 KB Cache Memory Upgrade Kit | D2465A |
| 4 MB Main Memory Upgrade Kit (32 bit, no parity) | D2690A |
| 4 MB Main Memory Upgrade Kit (36 bit, parity) | D2974A |
| 8 MB Main Memory Upgrade Kit (32 bit, no parity) | D2691A |
| 8 MB Main Memory Upgrade Kit (36 bit, parity) | D2975A |
| 16 MB Main Memory Upgrade Kit | D2297A |
| 32 MB Main Memory Upgrade Kit | D2298A |
| <i>Vectra VE 4/xx User's Guide</i> | D3490A |

Video Displays

| | |
|-----------------------------------|--------|
| Monochrome VGA 14-inch Display | D2801B |
| Entry-level Super VGA 14-inch | D2802A |
| Super VGA 1024i .28 14-inch | D2804B |
| Super VGA 1024i .28 MPRII 14-inch | D2814A |
| Ergo VGA 1024 14-inch | D2805A |
| Ergo Ultra VGA 15-inch | D2806B |
| Ultra VGA 1280 17-inch | D2807B |
| Ultra VGA 1600 21-inch | D1199A |

Note: Part number suffix B relates to new color scheme except D2801B.

Multimedia Products

| | |
|--|--------|
| HP Audio/CD Accessory | D2941A |
| HP Integrated Office (Fax/Modem/Sound Board) | D2887A |

Mass Storage

| | |
|---|--------|
| Flexible Disk 1.44 MB 3-1/2 inch | D2035B |
| Flexible Disk 1.2 MB 5-1/4 inch | D2881B |
| IDE 270 MB Hard Disk | D2388A |
| IDE 540 MB Hard Disk | D2389A |
| IDE 840 MB Hard Disk | D2925A |
| 5.25-inch Rail Kit | D2880A |
| IDE CD-ROM Drive | D2889A |
| 3.5-inch, h-h, Rails (5 pack) for non-HP disk drives | D3566A |
| 5.25-inch, h-h, Rails (5 pack) for non-HP disk drives | D2880A |
| 3.5-inch, h-h, Tray (5 pack) for non-HP disk drives | D2037A |

Note: Part number suffix B indicates new color scheme.

Datacomm and LAN Boards

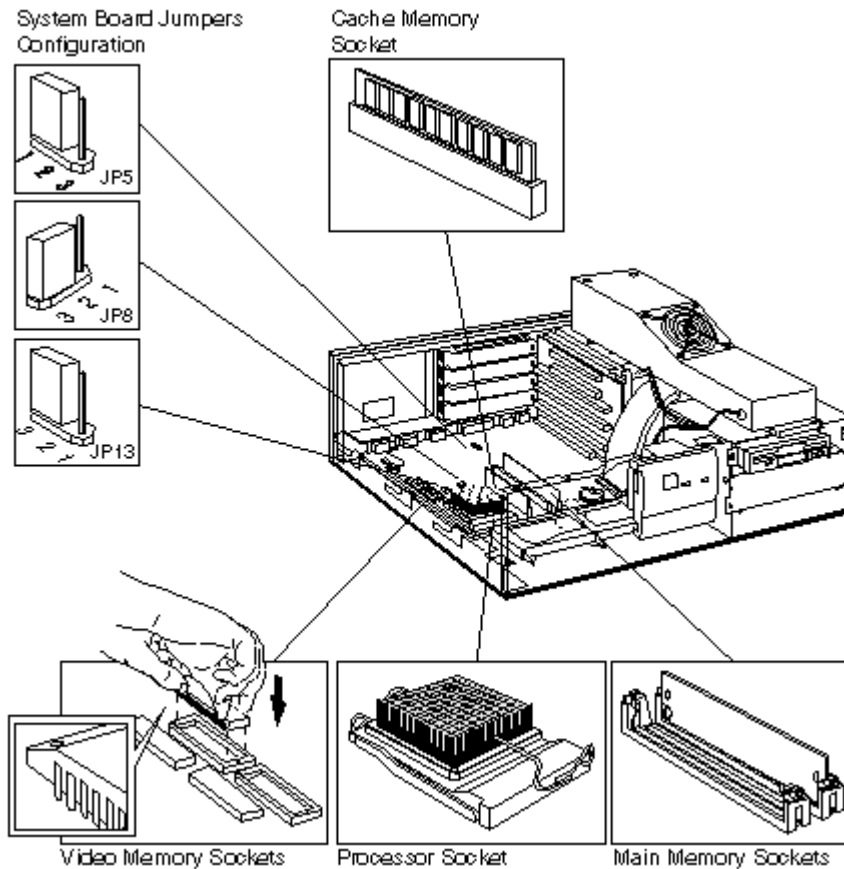
| | |
|------------------------------------|--------|
| HP LAN Adapter NC/16 TP (single) | J2405A |
| HP LAN Adapter 16 TP Plus | 27247B |
| HP LAN Adapter 16 TL Plus | 27252A |
| HP 10/100VG Selectable ISA Adapter | J2573A |

Input Devices

| | |
|------------------------|--------|
| HP Logitech-type Mouse | C3751B |
| Keyboard | C3757B |

Note: Part number suffix B indicates new color scheme.

SYSTEM BOARD, BIOS, AND MEMORY



VIDEO MEMORY UPGRADE

The upgrade is achieved by installing two chips into surface mount technology sockets. The chips must be installed with the bevelled edge on each component aligned to the back of the PC. You will need the PLLC Extractor Tool (part number 5041-2553) to remove the chips.

IDE CONNECTORS

Two IDE connectors are present. Any IDE compatible device can be attached to any connector.

VE 4/xx Configuration Jumpers

| <u>Jumper Setting</u> | <u>Function</u> | <u>Default</u> | |
|-----------------------|-----------------|---|----------------|
| JP5 | 1-2 | Enable CMOS configuration | 1-2 |
| | 2-3 | Clear CMOS | |
| JP8 | 1-2 | 486DX2 or DX4 with write-back internal cache (called P24D and P24C) | See footnote* |
| | 2-3 | 486DX2 or DX4 standard internal cache | |
| JP13 | 1-2 | 33 MHz processor speed selection | See footnote** |
| | 2-3 | 25 MHz processor speed selection | |

*Default setting dependent on model: 1-2 for VE 4/50 and VE 4/66, 2-3 for VE 4/100.

**Default setting dependent on model: 1-2 for VE 4/660 and VE 4/100, 2-3 for VE 4/50.

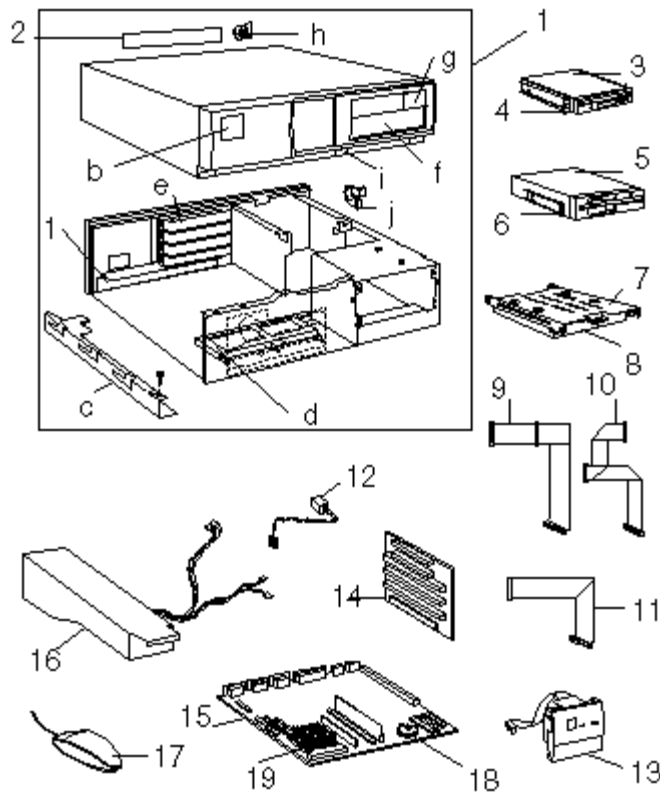
VE 4/xx IRQs and I/O Addresses

| <u>IRQ</u> | <u>Function</u> | <u>I/O Port Hex</u> |
|------------|--------------------------|---------------------|
| IRQ 3 | Serial Port A (COM1) | 3F8-3FF |
| IRQ 4 | Serial Port B (COM2) | 2F8-2FF |
| IRQ 5 | Parallel Port 2 (LPT2) | 378-37F |
| IRQ 6 | Flexible Disk Controller | 3F0-3F7 |
| IRQ 7 | Parallel Port 1 (LPT1) | 3BC-3BE |
| | Parallel Port 3 (LPT3) | 278-27F |
| IRQ 14 | IDE Hard Disk Controller | 1F0-1F7 |
| - | Video Controller | 3B0-3DF |

BIOS HISTORY

| <u>BIOS Ver.</u> | <u>Date</u> | <u>Description</u> | <u>Kit Part No.</u> |
|--------------------------|-------------|--|---------------------|
| Vectra VE 4/xx PC Series | | | |
| GP.05.00 | April 95 | First release | Available on HP BBS |
| GP.05.01 | May 95 | Fixes bug with mouse when leaving sleep mode in Windows 3.11 | |
| GP.05.02 | June 95 | Fixes bug with mouse that hangs system when loading QuatroPro in DOS | |
| GP.05.03 | Aug 95 | Added support for AMD microprocessor (requires D3501-630020). Added activation options for PnP boards. Improves DDC1 detection for D2815A display. | |
| GP.05.04 | Sept 95 | Fixes bugs in Windows 95: – with LBA formatted HDD – with Plug and Play code Fixes bug with Plug and Play ROM allocation for token ring LAN boards. | |
| GP.05.05 | Oct 95 | Improves 840 MB HDD detection. | |
| GP.05.06 | Nov 95 | Fixes bugs: – with Siemens 8 MB memory modules – with Intel Etherxpress board – with DEC LAN DE205 board – detection of disabled FDD in Windows 95 | |

PART NUMBERS



Parts List for HP Vectra VE 4/xx PC Series

| <u>Item</u> | <u>Description</u> | <u>Replacement Part Number</u> | <u>Exchange Part Number</u> |
|-------------|---|--------------------------------|-----------------------------|
| 1 | Box Assembly: | 5063-7025 | |
| | a. Rear Bezel | 5042-1177 | |
| | b. Nameplate with logo | - | |
| | (HP Vectra VE 4/50) | 5042-1146 | |
| | (HP Vectra VE 4/66) | 5042-1147 | |
| | (HP Vectra VE 4/100) | 5042-1148 | |
| | d. System Board Side Guide | 5042-1138 | |
| | e. I/O Panel Blank | 45935-00004 | |
| | f. Filler Panel 5.25 inch | 5042-1178 | |
| | g. Filler panel 1.75 inch | 5042-1179 | |
| | h. Cover Lock Assembly | 5062-5590 | |
| | i. Infrared Cap | 5042-1176 | |
| | j. Security Bracket | | |
| 2 | Serial Label | | |
| 3 | Flexible Disk Drive 3.5-inch | D2035 - 63121 | |
| 4 | Mounting Rails for 3.5-inch non-HP Flexible Disk Drives | 5063 - 0309 | |

| | | | |
|----|---|-------------------------------------|-------------|
| 8 | Hard Disk Drive (standard) | | |
| | 270 MB | D2390-63001 | D2390-69001 |
| | 420 MB | D2906-63001 | D2906-69001 |
| | 840 MB | D2393-63001 | D2393-69001 |
| 9 | Hard Disk Cable (IDE drive) | 5182-1036 | |
| 10 | Flexible Disk Drive Cable | 5182-1037 | |
| 11 | IDE Standard Cable | 5182-1865 | |
| 12 | 4.5V Battery (5 year life) | 1420-0513 | |
| 13 | Status (Control) Panel | 5063-7016 | |
| 14 | Backplane Assembly | 5063-7017 | |
| 15 | System Board | See next table | |
| 16 | Power Supply Assembly | 5063-4553 | |
| 17 | Mouse | C3751-60201 | |
| 18 | System Board Battery (See warning which follows) | 1420-0314 | |
| 19 | Processor | See next table for Replacement P/Ns | |

WARNING There is a danger of explosion if the battery is incorrectly installed. For your safety, never attempt to recharge, disassemble or burn, the old battery. In order to protect the environment, do not disdpose of batteries in household waste. Please return used batteries to the shop from which you bought them, or to the dealer from whom you purchased your PC, or to HP, so that they can be either recycled or disposed of in an environmentally sound way. After removing the old battery, install a replacement battery (order 1420-0312) or an external battery (order 1420-0513).

System Board Parts List for HP Vectra VE 4/xx PC Series

| <u>Description</u> | <u>Replacement Part Number</u> | <u>Exchange Part Number</u> |
|---|--------------------------------|-----------------------------|
| System Board:* | | |
| HP Vectra VE 4/xx PC | D3501-63001 | D3501-69001 |
| Processor: | | |
| 486DX2-50 'SL' P24 Write-back | 5063-7014 | |
| 486DX2-66 'SL' P24 Write-back | 5063-7015 | |
| DX4-100 'SL' A5 Version | 5063-7938 | |
| Heatsink with Clip | 5063-5740 | |
| Second Level Cache Memory Modules: | | |
| 256 KB Cache Memory Module kit (D2465A) | D2465-63001 | |
| Main Memory Modules: (70 ns) | | |
| 4 MB Main Memory Module kit, 32-bit | 5063-4548 | |
| 8 MB Main Memory Module kit, 32-bit | 5063-4549 | |
| 16 MB Main Memory Module kit, 36-bit (D2297A) | D2297-63001 | D2297-69001 |
| Video Memory Modules : | | |
| 1 MB Video Memory kit (D3500A) | D3500-63001 | |

*These assemblies are supplied without main memory modules or processor.
Includes integrated IDE disk and Ultra VGA+ controller.

Support Manuals for HP Vectra VE 4/xx PC Series

| | |
|---|-----------------|
| Familiarization Guide | D349x+49A-90001 |
| Technical Reference Manual: Hardware and BIOS | None* |

*Electronic file only.

Part Numbers for HP Utility Diskettes

| <u>Description</u> | <u>Rev</u> | <u>Date Code</u> | <u>Part #</u> | <u>Info.</u> |
|------------------------------|------------|------------------|---------------|--------------|
| Drivers & Utilities disk kit | | | 5063-5795 | Kit |
| – Windows video driver | A.01.01 | 3522 | | |
| – Quick IDE drivers | A.01.00 | 3522 | | |
| – Plug and Play utility | 1.21 | 3505 | | |
| – Usertool utility | A.01.20 | 3522 | | |
| – Moux driver | 6.44 | 3536 | | |
| – DMI utility | A.01.06 | 3522 | | |
| – Power Management tools | 4.0 | 3536 | | |
| PLCC Video Chip Extractor | | | 5041-2553 | |

20 HP VECTRA VL2 & VL2E PC SERIES

MODELS AND ACCESSORIES

| <u>Product Number</u> | <u>Flexible Drive A:</u> | <u>Hard Drive C:</u> | <u>Disk Controller</u> | <u>Video Controller</u> | <u>Std. RAM</u> | <u>L 2 Cache</u> | <u>Multi-media</u> |
|--|--------------------------|----------------------|------------------------|-------------------------|-----------------|------------------|--------------------|
| Vectra VL2e PC Series | | | | | | | |
| HP Vectra VL2e 4/25e PC (CPL: 03/94) | | | | | | | |
| D3131A | 1.44 MB | None | Integrated | Integrated | 4 MB | None | None |
| D3121A | (D2035A) | 106 MB | IDE | Ultra VGA | | | |
| D3124A | | | controller | (512 KB, | 2 MB | | |
| D3122A | | 170 MB | on ISA bus | upgradeable | 4 MB | | |
| | | (D2330B) | | to 1 MB) | | | |
| D3122B | | 210 MB | | | 4 MB | | |
| | | (D2387A) | | | | | |
| HP Vectra VL2e 4/33se PC (CPL: 03/94) | | | | | | | |
| D3125A | 1.44 MB | None | Integrated | Integrated | 4 MB | None | None |
| D3123A | (D2035A) | 170 MB | IDE | Ultra VGA | | | |
| | | (D2330B) | controller | (512 KB, | | | |
| D3123B | | 210 MB | on ISA bus | upgradeable | | | |
| | | (D2387A) | | to 1 MB) | | | |
| D3042A | | 170 MB | | | | | Yes* |
| | | (D2330B) | | | | | |
| D3042B | | 210 MB | | | | | |
| | | (D2387A) | | | | | |
| D3251A | | 340 MB | | | | | None |
| | | (D2890A) | | | | | |

*Includes HP Sound DSP 16 (Audio board, audio control panel, and SCSI CD-ROM drive).

| <u>Product Number</u> | <u>Flexible Drive A:</u> | <u>Hard Drive C:</u> | <u>Disk Controller</u> | <u>Video Controller</u> | <u>Std. RAM</u> | <u>L 2 Cache</u> | <u>Multi-media</u> |
|--|--------------------------|----------------------|------------------------|-------------------------|-----------------|------------------|--------------------|
| Vectra VL2e PC Series | | | | | | | |
| HP Vectra VL2e 4/50se PC (CPL: 07/94) | | | | | | | |
| D3195A | 1.44 MB | 210 MB | Integrated | Integrated | 4 MB | None | None |
| D3196A | (D2035A) | (D2387A) | IDE | Ultra VGA | | | |
| D3252A | | 340 MB | controller | (512 KB, | | | |
| | | (D2890A) | on ISA bus | upgradeable | | | |
| | | | | to 1 MB) | | | |
| D3045A | | 210 MB | | | | | Yes* |
| | | (D2387A) | | | | | |
| HP Vectra VL2e 4/50e PC (CPL: 07/94) | | | | | | | |
| D3111A | 1.44 MB | None | Integrated | Integrated | 4 MB | None | None |
| D3112A | (D2035A) | 210 MB | IDE | Ultra VGA | | | Yes* |
| | | (D2387A) | controller | (512 KB, | | | |
| | | | on ISA bus | upgradeable | | | |
| | | | | to 1 MB) | | | |
| D3113A | | 340 MB | | | | | None |
| | | (D2890A) | | | | | |

| <u>Product Number</u> | <u>Flexible Drive A:</u> | <u>Hard Drive C:</u> | <u>Disk Controller</u> | <u>Video Controller</u> | <u>Std. RAM</u> | <u>L 2 Cache</u> | <u>Multi-media</u> |
|---|--------------------------|----------------------|------------------------|-------------------------|-----------------|------------------|--------------------|
| HP Vectra VL2e 4/66e PC (CPL: 07/94) | | | | | | | |
| D3114A | 1.44 MB | None | Integrated | Integrated | 4 MB | None | None |
| D3115A | (D2035A) | 210 MB | IDE | Ultra VGA | | | |
| D3116A | | 340 MB | controller | (512 KB, | | | |
| | | (D2890A) | on ISA bus | upgradeable | | | |
| | | | | to 1 MB) | | | |
| HP Vectra VL2e 4/33s PC (CPL: 03/94) | | | | | | | |
| D3126A | 1.44 MB | None | Integrated | Integrated | 4 MB | Opt. | None |
| D3127A | (D2035A) | 210 MB | Fast IDE | Ultra VGA | | | |
| D3128A | | 340 MB | controller | (1 MB, 60 | | | |
| | | (D2890A) | on local bus | ns) | | | |
| D3129A | | 210 MB | | | | | Yes* |
| D3191A | | (D2387A) | | | 8 MB | | None |
| D3191B | | 270 MB | | | | | |
| | | (D2388A) | | | | | |
| D3192A | | 340 MB | | | | | |
| | | (D2890A) | | | | | |
| D3192B | | 540 MB | | | | | |
| | | (D2389A) | | | | | |

*Includes HP Sound DSP 16 (Audio board with SCSI CD-ROM drive).

| <u>Product Number</u> | <u>Flexible Drive A:</u> | <u>Hard Drive C:</u> | <u>Disk Controller</u> | <u>Video Controller</u> | <u>Std. RAM</u> | <u>L 2 Cache</u> | <u>Multi-media</u> |
|---|--------------------------|----------------------|------------------------|-------------------------|-----------------|------------------|--------------------|
| Vectra VL2 PC Series | | | | | | | |
| HP Vectra VL2 4/50 PC (CPL: 03/94) | | | | | | | |
| D3135A | 1.44 MB | None | Integrated | Integrated | 4 MB | Opt. | None |
| D3133A | (D2035A) | 210 MB | Fast IDE | Ultra VGA | | | |
| D3136A | | 340 MB | controller | (1 MB, 60 | | | |
| | | (D2890A) | on local bus | ns) | | | |
| D3193A | | 210 MB | | | 8 MB | | |
| | | (D2387A) | | | | | |
| D3193B | | 270 MB | | | | | |
| | | (D2388A) | | | | | |
| D3194A | | 340 MB | | | | | |
| | | (D2890A) | | | | | |
| D3194B | | 540 MB | | | | | |
| | | (D2389A) | | | | | |
| D3034A | | 340 MB | | | 4 MB | | Yes* |
| D3041A | | (D2890A) | | | | | Yes** |

| <u>Product Number</u> | <u>Flexible Drive A:</u> | <u>Hard Drive C:</u> | <u>Disk Controller</u> | <u>Video Controller</u> | <u>Std. RAM</u> | <u>L 2 Cache</u> | <u>Multi-media</u> |
|--|--------------------------|----------------------|--|-------------------------------|-----------------|------------------|--------------------|
| HP Vectra VL2 4/50s PC (CPL: 08/94) | | | | | | | |
| D3255A | 1.44 MB | None | Integrated | Integrated | 4 MB | Opt. | None |
| D3258A | (D2035A) | 270 MB (D2388A) | Fast IDE controller on local bus | Ultra VGA (1 MB, 60 ns) | 8 MB | | |
| D3259A | | 540 MB (D2389A) | | | | | |
| HP Vectra VL2 4/66 PC (CPL: 03/94) | | | | | | | |
| D3137A | 1.44 MB | None | Integrated | Integrated | 4 MB | Opt. | None |
| D3138A | (D2035A) | 340 MB (D2890A) | Fast IDE controller on local bus | Ultra VGA (1 MB, 60 ns) | 8 MB | | |
| D3138B | | 540 MB (D2389A) | | | | | |
| D3139A | | 210 MB (D2387A) | | | | | |
| D3139B | | 270 MB (D2388A) | | | | | |
| D3043A | | 340 MB (D2890A) | | | | | Yes*** |
| D3054A | | 540 MB (D2389A) | | | | | Yes* |
| D3055A | | | | | | | Yes** |
| HP Vectra VL2 4/100 PC (CPL: 03/94) | | | | | | | |
| D3172A | 1.44 MB | None | Integrated | Integrated | 4 MB | Opt. | None |
| D3173A | (D2035A) | 340 MB (D2890A) | Fast IDE controller on local bus | Ultra VGA (1 MB, 60 ns) | 8 MB | | |
| D3173B | | 540 MB (D2389A) | | | | | |
| D3174A | | 210 MB (D2387A) | | | | | |
| D3174B | | 270 MB (D2388A) | | | | | |
| D3048A | | 540 MB (D2389A) | | | | | Yes*** |
| D3056B | | | | | | | Yes** |

*Available in U.S. only. Includes HP Integrated Office (U.S. approved Fax/Modem and Audio board.)

**Available in U.S. only. Includes HP Integrated Office (U.S. approved Fax/Modem, Audio board, and SCSI CD-ROM drive.)

***Includes HP Sound DSP 16 (Audio board, audio control panel, and SCSI CD-ROM drive).

SUPPORTED ACCESSORIES

| | |
|--|--------|
| 512 KB Video Memory Upgrade Kit (VL2e only) | D3169A |
| 128 KB Cache Memory Upgrade Kit (VL2 only) | D3168A |
| 256 KB Cache Memory Upgrade Kit (VL2 only) | D2944A |
| 4 MB Main Memory Upgrade Kit | D2974A |
| 8 MB Main Memory Upgrade Kit | D2975A |
| 16 MB Main Memory Upgrade Kit | D2297A |
| 32 MB Main Memory Upgrade Kit | D2298A |
| Vectra VL2 & VL2e <i>User's Guide</i> manual | D3130B |

Processor upgrades

| | |
|---|--------|
| VL2e Processor Upgrade to 486DX-33 (33 MHz) | D2169A |
|---|--------|

When you upgrade the processor, check the part number of the new processor and set the JP4 jumper as described in the processor upgrade jumper configuration table. Note that the PCs power management capability is lost after a processor upgrade.

Video Displays

| | |
|---|----------|
| Monochrome Display | D1192A/B |
| UltraVGA Color Display 17-inch | D1193A |
| Super VGA Color Display 14-inch | D1194A |
| Ergo Super Vga Color Display 15-inch | D1195A |
| Ergo Ultra VGA Color Display 15-inch | D1196A |
| Color VGA Display | D1197A |
| Ultra VGA 1600 Display | D1199A |
| Monochrome VGA 14-inch Display | D2801A/B |
| Entry-Level SVGAQ 14-inch Display | D2802A |
| Super VGA 1024i 14-inch Display | D2804A |
| Ergo 1024 14-inch Display | D2805A |
| Ergo Ultra VGA 15-inch Display | D2806A |
| Ultra VGA 1280 17-inch Display | D2807A |
| Super VGA 14-inch Display (Low Emissions) | D2814A |

Multimedia Products

| | |
|----------------------|--------|
| HP Sound DSP 16 | D2941A |
| HP Integrated Office | D2887A |

Mass Storage

| | |
|---|----------|
| Flexible Disk 1.44 MB 3-1/2 inch | D2035A |
| Flexible Disk 1.2 MB 5-1/4 inch | D2881A |
| IDE 240 MB Hard Disk | D1697A |
| IDE 170 MB Hard Disk | D2330B |
| IDE 210 MB Hard Disk | D2387A |
| IDE 450 MB Hard Disk | D2884A |
| IDE 340 MB Hard Disk | D2890A |
| IDE 540 MB Hard Disk | D2388A |
| IDE 270 MB Hard Disk | D2389A |
| CD-ROM Drive | D2886A/B |
| 3.5-inch, h-h, Rails (5 pack) for non-HP disk drives | D3566A |
| 5.25-inch, h-h, Rails (5 pack) for non-HP disk drives | D2880A |
| 3.5-inch, h-h, Tray (5 pack) for non-HP disk drives | D2037A |

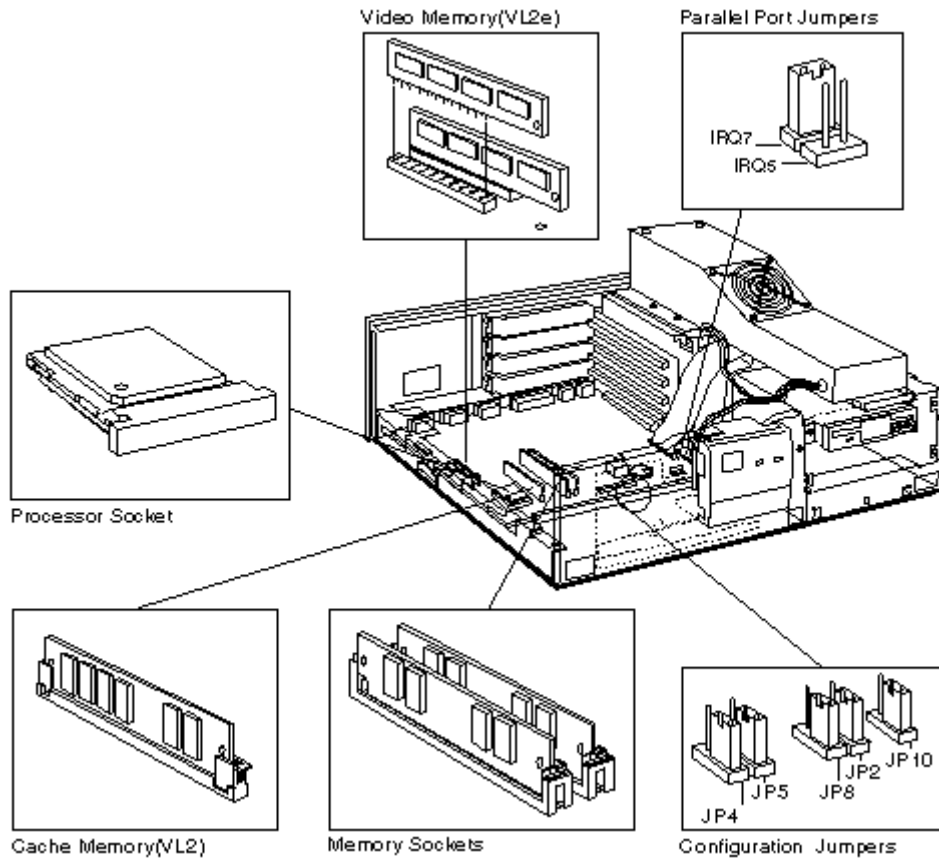
Datacomm and LAN Boards

| | |
|----------------------------|--------|
| Ethertwist PC Link Adapter | 27245A |
| Ethertwist Adapter/16 | 27247B |
| Token-Ring Adapter | D2378A |

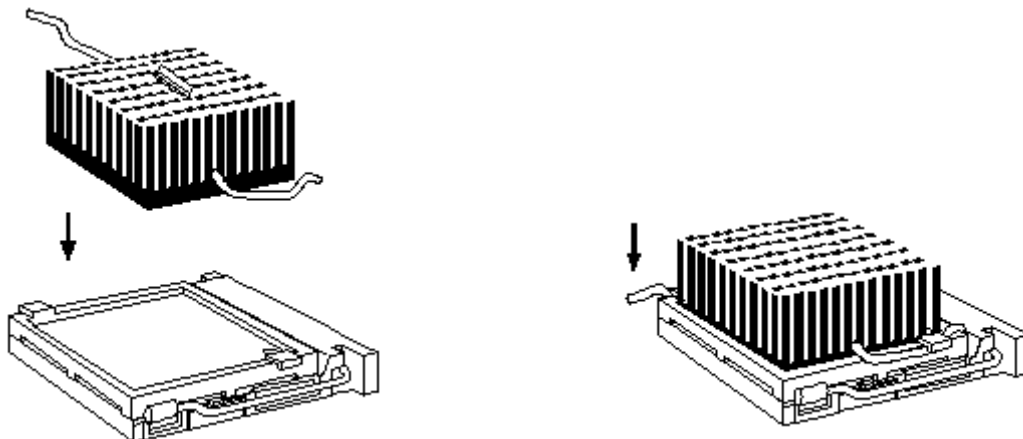
Input Devices

| | |
|------------------------------------|--------|
| HP Logitech-type Mouse | C3751A |
| Keyboard - new style (recommended) | C3756A |

SYSTEM BOARD, BIOS, AND MEMORY



The 486DX2 and 486DX4 processors require a heatsink assembly, which is clipped on top of the processor.



VL2 & VL2e Configuration Jumpers

| Jumper Setting | Function | Default |
|-----------------------|---|----------------|
| JP10 1-2 | Select P24T write through mode. | 2-3 |
| 2-3 | Select P24T write back mode. | |
| JP2 1-2 | Clears CMOS RAM Configuration. | 2-3 |
| 2-3 | Enables CMOS RAM Configuration. | |
| JP8 1-2 | Disables on board VGA circuitry. | 2-3 |
| 2-3 | Enables on board VGA circuitry. | |
| JP5 - | Reserved for factory use - do not move. | |
| JP4* 1-2 | 33 MHz processor speed selection. | |
| 2-3 | 25 MHz processor speed selection. | |
| JP12 | (VL2 DX4 models only) Reserved for factory use - do not move. | |
| IRQ7 | Parallel port 1. | yes |
| IRQ5 | Alternative parallel port 1. | no |

*Default setting dependent on model.

IRQs and I/O Addresses for the VL2 & VL2e

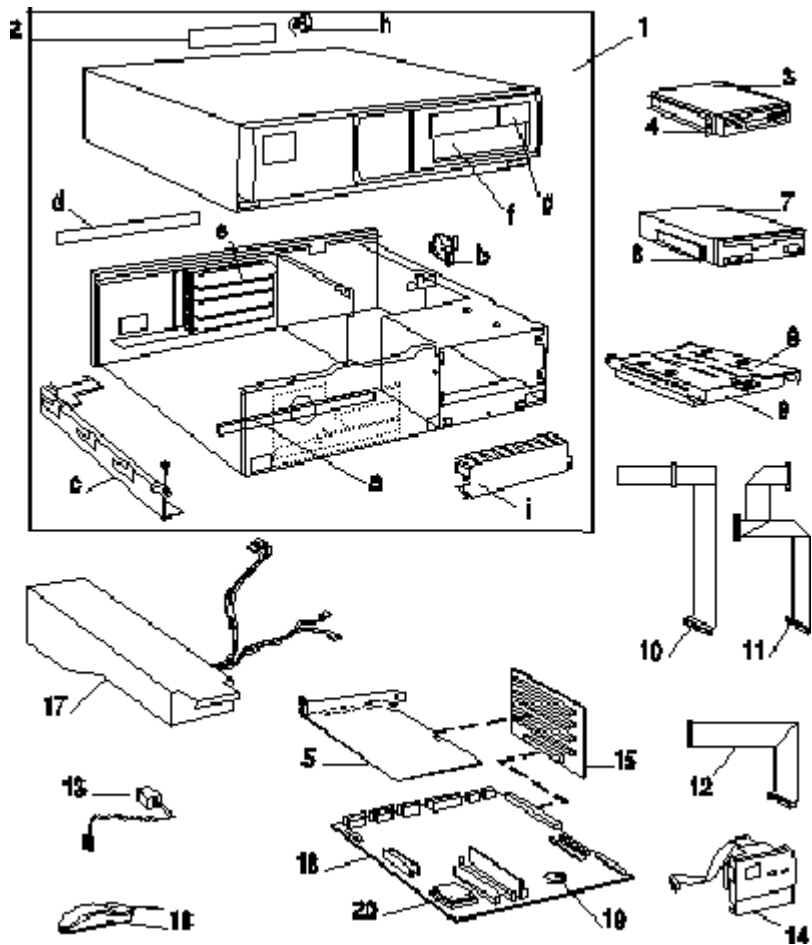
| IRQ | Function | I/O Port Hex |
|------------|--------------------------|---------------------|
| IRQ 3 | Serial Port A (COM1) | 3F8-3FF |
| IRQ 4 | Serial Port B (COM2) | 2F8-2FF |
| IRQ 6 | Flexible Disk Controller | 3F0-3F7 |
| IRQ 7 (5)* | Parallel Port 1 (LPT1) | 378-37F |
| IRQ 14 | IDE Hard Disk Controller | 1F0-1F7 |
| — | Video controller | 3B0-3DF |

*Numbers in brackets indicate alternate IRQ selected by jumper on the system board. See the Configuration Jumper table for details.

BIOS HISTORY

| BIOS Ver. | Date | Description | Kit Part No. |
|---|-------------|--------------------------|---------------------|
| Vectra VL2 & VL2e PC Series | | | |
| HP Vectra VL2 & VL2e PC Series | | | |
| GA.04.02 | March 94 | First release | N/A |
| SGA.04.02 | May 94 | Second "Special" release | N/A |
| GA.04.04 | May 94 | Third release | N/A |
| GA.04.05 | June 94 | Fourth release | 5063-5739 |
| GA.04.06 | Aug. 94 | Fifth release | 5063-5753 |
| GA.04.07 | N/A | Not released | N/A |
| GA.04.08 | N/A | Not released | N/A |
| GA.04.09 | N/A | Not released | N/A |
| GA.04.10 | 1995 | Sixth release | N/A |
| GA.04.11 | July 1995 | Seventh release | 5063-7934 |

PART NUMBERS



Parts List for HP Vectra VL2 & VL2e PC Series

| <u>Item</u> | <u>Description</u> | <u>Replacement Part Number</u> | <u>Exchange Part Number</u> |
|-------------|---|----------------------------------|-----------------------------|
| 1 | Box Assembly | 5063-4597 | — |
| | a System Board Side Guide | - | |
| | b Security Bracket | 5042-0507 | |
| | c Side Panel | - | |
| | d Rear Bezel Connector Label | 5042-0510 | |
| | e I/O Panel Blank | 45935-00004 | |
| | f Filler Panel 5.25 inch | 5041-2578 | |
| | g Filler Panel 1.75 inch | 5063-0877 | |
| | h Cover Lock Assembly | 5062-5590 | |
| | i Hard Disk Drive I/R cover panel | - | |
| 2 | Serial Label | — | — |
| 3 | Flexible Disk Drive 3.5-inch | D2035-63004 | — |
| 4,6 | Mounting Rails Kit (for 1x3.5-inch, 1x5.25-inch non-HP Disk Drives) | 5063-7922 | — |
| 5 | HP Sound DSP 16 SCSI Board * and Audio cable* | 5063-4506 5182-1067 | — |
| | or | | |
| | US Fax Modem+ SCSI Board* and Telephone cable* | D2887-63001 5182-1067 | |
| 7 | 5.25-inch SCSI CD-ROM Drive* | D2886-60103 | — |
| 8 | 3.5-inch, h-h, Tray (5 pack) for non-supported hard disk drives | 5063-0309 | — |
| 9 | Hard Disk Drive (standard)** | | |
| | VL2: | | |
| | 210 MB | D2387-63001 | D2387-69001 |
| | 270 MB | D2388-63001 | D2388-69001 |
| | 340 MB | D2890-63021 | D2890-69021 |
| | 540 MB | D2389-63001 | D2389-69001 |
| | VL2e: | | |
| | 106 MB | D3032-63031 | — |
| | 170 MB | D2330-63021 | D2330-69021 |
| | 210 MB | D2387-63001 | D2387-69001 |
| | 340 MB | D2890-63101 | D2890-69101 |
| 10 | Hard Disk Cable (IDE drive) | 5182-1036 | — |
| 11 | Flexible Disk Drive Cable | 5182-1037 | — |
| 12 | SCSI Flat Cable* | 5182-1045 | — |
| 13 | 4.5V Battery (5 year life) | 1420-0513 | — |
| 14 | Status (Control) Panel Status Panel for Multimedia | 5063-0889 | — |
| 15 | Backplane PCA | 5063-0887 | — |
| 16 | System Board | See PC's system board parts list | |
| 17 | Power Supply Assembly | 5063-4553 | — |
| 18 | Mouse | C3751-60101 | — |
| 19 | System Board Battery | 1420-0314*** | — |
| 20 | Processor | See PC's system board parts list | |

| | | |
|------------------------------------|-----------|---|
| Nameplate | | |
| Vectra VL2 4/25e Logo | 5042-0543 | — |
| Vectra VL2 4/33se Logo | 5042-0524 | — |
| Vectra VL2 4/33s Logo | 5042-0544 | — |
| Vectra VL2 4/50se Logo | 5042-1104 | — |
| Vectra VL2 4/50e Logo | 5042-1105 | — |
| Vectra VL2 4/66e Logo | 5042-1106 | — |
| Vectra VL2 4/50s Logo | 5042-1112 | — |
| Vectra VL2 4/50 Logo | 5042-0540 | — |
| Vectra VL2 4/66 Logo | 5042-0526 | — |
| Vectra VL2 4/66 Communicator Logo | 5042-1131 | — |
| Vectra VL2 4/100 Logo | 5042-0567 | — |
| Vectra VL2 4/100 Communicator Logo | 5042-1132 | — |

*Multimedia or Communicator models.

**For optional disk drive information, see the *Accessory Service Handbook*.

**Replace the battery with a Panasonic/Rayovac BR2325 battery, available from most local stores, or its equivalent HP battery using this number from your dealer or HP Sales and Service Office. Return the old battery to the supplier.

System Board Parts List for HP Vectra VL2 & VL2e PC Series

| <u>Description</u> | <u>Replacement Part Number</u> | <u>Exchange Part Number</u> |
|---|--------------------------------|-----------------------------|
| System Board (includes integrated IDE disk and Ultra VGA+ controllers):* | | |
| Vectra VL2e | D3121-630011 | D3121-69001* |
| Vectra VL2 | D3126-630011 | D3126-69002* |
| Vectra VL2 DX4-100 | D3172-630011 | D3172-69002* |
| Processor: | | |
| 486SX-25 'SL' | 5063-4561 | |
| 486SX-33 'SL' | 5063-4554 | |
| 486SX2-50 'SL' | 5063-5730 | |
| 486DX2-50 'SL' | 5063-4583 | |
| 486DX2-66 'SL' | 5063-4584 | |
| DX4-100 'SL' (VL2 4-100 only) | 5063-4598 | |
| Heatsink kit for 486DX2 and 486DX4 processors | 5063-5740 | |
| Main Memory Modules: (70 ns) | | |
| 2 MB Main Memory Module kit, 32-bit | 5063-5722 | |
| 4 MB Main Memory Module kit, 32-bit | 5063-4548 | |
| 8 MB Main Memory Module kit, 32-bit | 5063-4549 | |
| Video Memory Modules (VL2e only): | | |
| 512 KB Video Memory kit (D3169A) | D3169-83001 | |
| Cache Memory Modules: (VL2 only) | | |
| 128 KB Cache Memory Module kit (D3168A) | D3168-63001 | |
| 256 KB Cache Memory Module kit (D2944A) | 5063-0880 | |

*These assemblies are supplied without main memory modules or processor.

Support Manuals for HP Vectra VL2 & VL2e PC Series

| | |
|---|------------------|
| Familiarization Guide | D312x+49A-900001 |
| Technical Reference Manual: Hardware and BIOS | None* |

*Electronic File only.

Part Numbers for HP Utility Diskettes

| <u>Description</u> | <u>Rev</u> | <u>Date Code</u> | <u>Part #</u> | <u>Info.</u> |
|--------------------------------|------------|------------------|---------------|--------------|
| BIOS Kit | GA.04.06 | | 5063-5753 | Kit |
| Drivers and Utilities disk kit | A.01.01 | 3442 | 5063-5768 | |

21 HP VECTRA XM2 PC SERIES 3

MODELS AND ACCESSORIES

| <u>Product Number</u> | <u>Flexible Drive A:</u> | <u>Hard Drive C:</u> | <u>Disk Controller</u> | <u>Video Controller</u> | <u>Std. RAM</u> | <u>Integ. LAN</u> |
|---|--------------------------|---|---------------------------------|--|-----------------|-------------------|
| Vectra XM2 PC Series 3 | | | | | | |
| HP Vectra XM2 4/50 PC (CPL: 07/94; discontinued; 04/95) | | | | | | |
| D3210A | 1.44 MB | None | Integrated | Integrated | 8 MB | None |
| D3211A | (D2035A) | 210 MB (D2387A) | IDE Controller | Ultra VGA 2 (1 MB, upgradeable to 2 MB) | | |
| HP Vectra XM2 4/50i PC (CPL: 07/94; discontinued; 04/95) | | | | | | |
| D3212A | 1.44 MB (D2035A) | 210 MB (D2387A) | Integrated IDE Controller | Integrated Ultra VGA 2 (1 MB, upgradeable to 2 MB) | 8 MB | Yes |
| D3213A | | 340 MB (D2890A) | | | | |
| HP Vectra XM2 4/66 PC (CPL: 07/94) | | | | | | |
| D3220A | 1.44 MB (D2035A) | None | Integrated IDE Controller | Integrated Ultra VGA 2 (1 MB, upgradeable to 2 MB) | 8 MB | None |
| D3221A | | 270 MB (D2894A) | | | | |
| D3221B (CPL: 4/95) | | 360 MB (D2394A) | | | | |
| HP Vectra XM2 4/66i PC (CPL: 07/94) | | | | | | |
| D3222A | 1.44 MB (D2035A) | 270 MB (D2894B) | Integrated IDE Controller | Integrated Ultra VGA 2 (1 MB, upgradeable to 2 MB) | 8 MB | Yes |
| D3222B (CPL: 4/95) | | 360 MB (D2394A) | | | | |
| D3224A | | 540 MB (D2891B) <i>or</i> (D2395A) | | | | |
| D3224B (CPL: 4/95) | | 720 MB (D2396A) | | | | |
| HP Vectra XM2 4/100 PC (CPL: 07/94) | | | | | | |
| D3230A | 1.44 MB (D2035A) | None | Integrated IDE Controller | Integrated Ultra VGA 2 (1 MB, upgradeable to 2 MB) | 8 MB | None |
| D3231A | | 270 MB (D2894A) | | | | |
| D3231B (CPL: 4/95) | | 360 MB (D2394A) | | | | |

| <u>Product Number</u> | <u>Flexible Drive A:</u> | <u>Hard Drive C:</u> | <u>Disk Controller</u> | <u>Video Controller</u> | <u>Std. RAM</u> | <u>Integ. LAN</u> |
|---|--------------------------|---|---------------------------------|--|-----------------|-------------------|
| HP Vectra XM2 4/100i PC (CPL: 07/94) | | | | | | |
| D3232A | 1.44 MB (D2035A) | 270 MB (D2894B) | Integrated IDE Controller | Integrated Ultra VGA 2 (1 MB, upgradeable to 2 MB) | 8 MB | Yes |
| D3232B (CPL: 4/95) | | 360 MB (D2394A) | | | | |
| D3233A | | 540 MB (D2891B) <i>or</i> (D2395A) | | | | |
| D3233B (CPL: 4/95) | | 720 MB (D2396A) | | | | |

NOTE The HP Vectra XM2 PC Series 3 has 256 KB of level-two cache memory.

SUPPORTED ACCESSORIES

| | |
|--|--------|
| 1 MB Video Memory Upgrade kit | D3241A |
| 4 MB Main Memory Upgrade kit | D2974A |
| 8 MB Main Memory Upgrade kit | D2691A |
| 16 MB Main Memory Upgrade kit | D2297A |
| 32 MB Main Memory Upgrade kit | D2298A |
| <i>Setting Up Your PC</i> and <i>Getting Started</i> manuals | D3240A |

Multimedia Products

| | |
|-----------------|--------|
| HP Sound DSP 16 | D2941A |
|-----------------|--------|

Input Devices

| | |
|------------------------------------|--------|
| Mouse (PS/2, Microsoft) | C1413A |
| Mouse (PS2, Logitech) | C3751A |
| Keyboard | C1405B |
| Keyboard - new style (recommended) | C3756A |

Video Displays

| | |
|---|----------|
| Monochrome Display | D1192A/B |
| Ultra VGA Color Display 17-inch | D1193A |
| Super VGA Color Display 14-inch | D1194A |
| Ergo Super VGA Color Display 15-inch | D1195A |
| Ergo Ultra VGA Dolor Display 15-inch | D1196A |
| Color VGA Display | D1197A |
| Ultra VGA 1600 Display | D1199A |
| Monochrome VGA 14-inch Display | D2801A/B |
| Entry-Level SVGA 14-inch Display | D2802A |
| Super VGA 1024i 14-inch Display | D2804A |
| Ergo 1024 14-inch Display | D2805A |
| Ergo Ultra VGA 15-inch Display | D2806A |
| Ultra VGA 1280 17-inch Display | D2807A |
| Super VGA 14-inch Display (Low Emissions) | D2814A |

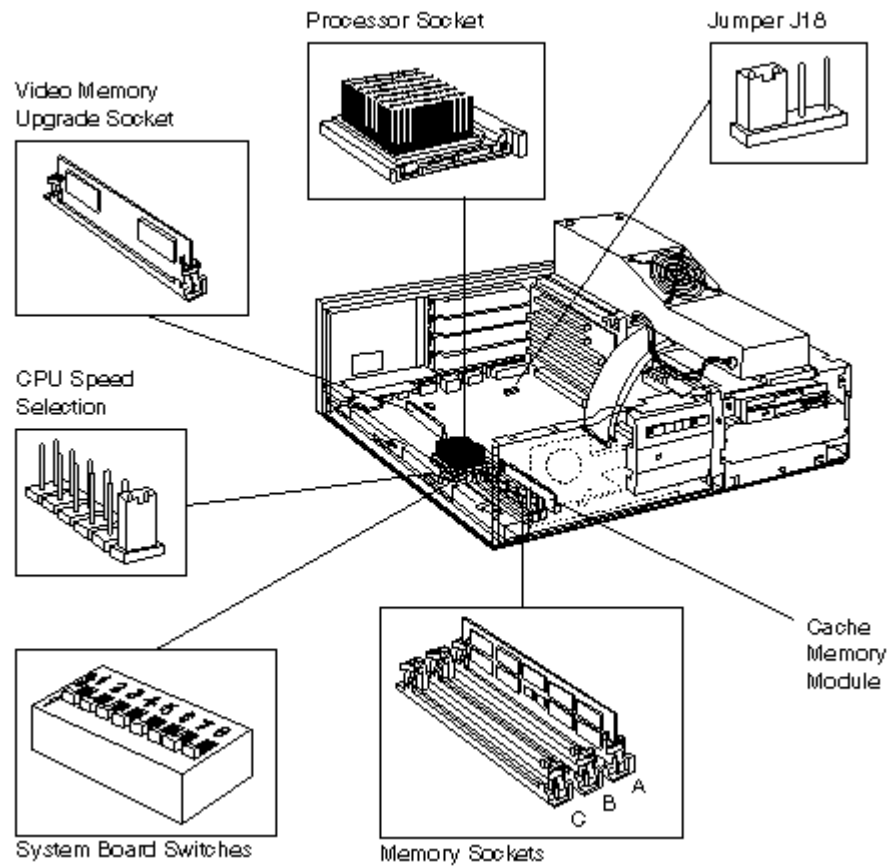
Mass Storage

| | |
|---|----------|
| Flexible Disk 1.44 MB 3-1/2 inch | D2035A |
| Flexible Disk 1.2 MB 5-1/4 inch | D2881A |
| IDE 170 MB Hard Disk | D2330B |
| IDE 210 MB Hard Disk | D2387A |
| IDE 240 MB Hard Disk | D1697A |
| IDE 270 MB Hard Disk | D2388A |
| IDE 270 MB Hard Disk | D2894A/B |
| IDE 340 MB Hard Disk | D2890A |
| IDE 450 MB Hard Disk | D2884A |
| IDE 540 MB Hard Disk | D2389A |
| IDE 540 MB Hard Disk | D2891A/B |
| SCSI 430 MB Hard Disk | D1699A |
| CD-ROM Drive | D2886A/B |
| 3.5-inch, h-h, Rails (5 pack) for non-HP disk drives | D3566A |
| 5.25-inch, h-h, Rails (5 pack) for non-HP disk drives | D2880A |
| 3.5-inch, h-h, Tray (5 pack) for non-HP disk drives | D2037A |

Datacomm and LAN Boards

| | |
|----------------------------|--------|
| Serial Parallel board | 24540B |
| Dual Serial Board | 24541B |
| Ethertwist PC Link Adapter | 27245A |
| Ethertwist Adapter/16 | 27247A |
| Ethertwist Adapter/16 | 27247B |
| HP Thin LAN Board | 27250A |
| Token-Ring Adapter | D2378A |
| Coaxial LAN Adapter Board | D2746A |

SYSTEM BOARD, BIOS, AND MEMORY



Jumper J18

This jumper is used to select a synchronous connection between the PCI bus and the processor bus. This jumper must not be changed from the factory default setting shown above.

System Board Switches

| <u>Switch</u> | <u>Function</u> | <u>Default</u> |
|---------------|---|----------------|
| 1 | OFF Onboard VGA controller — enabled (if a plug & play video card is installed - disabled) | OFF |
| | ON Onboard VGA controller — disabled | |
| 2 | OFF Security mode - disabled | OFF |
| | ON Security mode - configuration cannot be changed using Setup | |
| 3 | OFF EEPROM stored configuration information - valid | OFF |
| | ON EEPROM stored configuration information - erased | |
| 4 | OFF Passwords — enabled | OFF |
| | ON Passwords — disabled (erased) | |
| 5 | OFF Flash ROM updates - enabled | OFF |
| | ON Flash ROM updates - disabled | |
| 6 | OFF Not used | OFF |
| 7 | OFF Not used | OFF |
| 8 | OFF Not used | OFF |

SETUP AND BIOS HISTORY

| <u>BIOS Ver.</u> | <u>Date</u> | <u>Description</u> | <u>Kit Part No.</u> | <u>Min Setup</u> |
|----------------------------------|-------------|---|------------------------------------|------------------|
| Vectra XM2 PC Series 3 | | | | |
| HP Vectra XM2 PC Series 3 | | | | |
| GD.05.14 | Sept. 94 | First release | Available on HP PC Internal BBS | N/A |
| GD.05.17 | Dec. 94 | Fixes blank monitor screen bug | | |
| GD.05.19 | Jan. 95 | Fixes an APM bug under OS2: no possible standby without a password. Adds support for HP D2394/5/6A Fast IDE HDDs in mode 3 | | |
| GD.05.20 | Mar 95 | Adds support for HP D2394/5/6A Fast IDE HDDs in mode 3+ | | |
| GD.05.22 | May 95 | Fixes failure with 3C619B 3COM LAN card. Fixes bug when playing 16-bit wav sound files with 32-bit Soundblaster card | | |

CACHE MEMORY

The PC has 256 KB of integrated level-two cache memory.

VIDEO MEMORY

The PC is supplied with 1 MB of video memory for 1280 x 1024 in 256 colors. An additional 1 MB of video memory can be installed in a video memory socket (to make a total of 2 MB). for 1280 x 1024 in 64K colors.

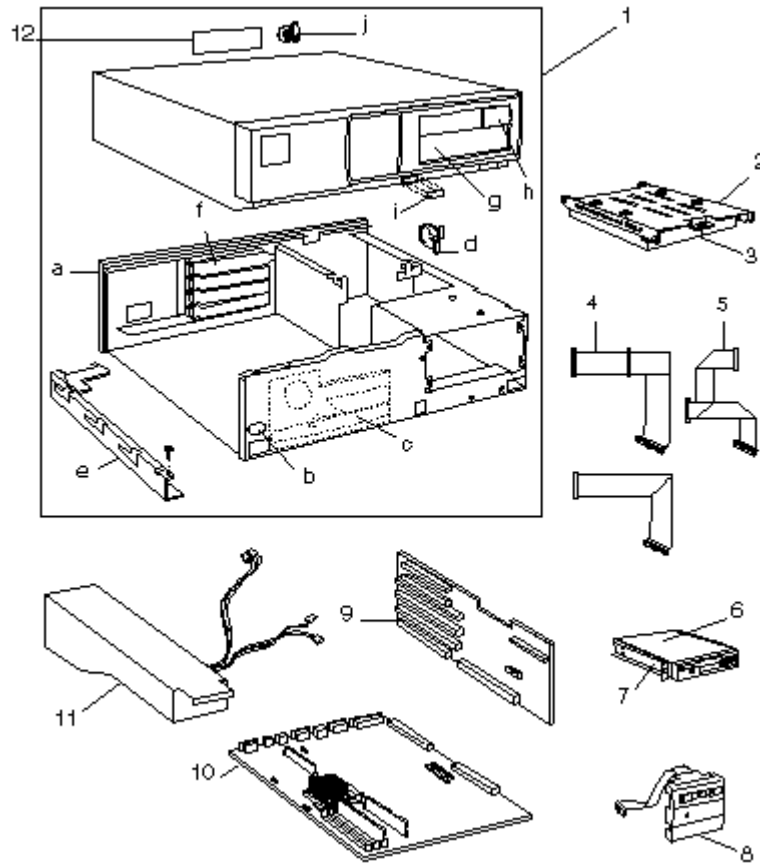
MAIN MEMORY

The HP Vectra XM2 PC has three sockets on the system board labeled A, B, and C. Main memory modules can be installed up to a maximum of 96 MB.

Typical Memory Configurations

| <u>For a TOTAL memory of:</u> | <u>Install memory modules in these banks:</u> | | |
|-----------------------------------|---|---------------|---------------|
| | <u>Bank A</u> | <u>Bank B</u> | <u>Bank C</u> |
| 4 MB | 4 MB | - | - |
| 8 MB | 4 MB | 4 MB | - |
| 8 MB | 8 MB | - | - |
| 12 MB | 4 MB | 4 MB | 4 MB |
| 12 MB | 4 MB | 8 MB | - |
| 16 MB | 4 MB | 4 MB | 8 MB |
| 16 MB | 8 MB | 8 MB | - |
| 16 MB | 16 MB | - | - |
| 20 MB | 4 MB | 8 MB | 8 MB |
| 20 MB | 4 MB | 16 MB | - |
| 24 MB | 4 MB | 4 MB | 16 MB |
| 24 MB | 8 MB | 8 MB | 8 MB |
| 32 MB | 8 MB | 8 MB | 16 MB |
| 32 MB | 16 MB | 16 MB | - |
| 36 MB | 4 MB | 16 MB | 16 MB |
| 40 MB | 4 MB | 4 MB | 32 MB |
| 48 MB | 16 MB | 16 MB | 16 MB |
| 48 MB | 8 MB | 8 MB | 32 MB |
| 64 MB | 16 MB | 16 MB | 32 MB |
| 64 MB | 32 MB | 32 MB | - |
| 96 MB | 32 MB | 32 MB | 32 MB |

PART NUMBERS



Parts List for HP Vectra XM2 PC Series 3

| <u>Item</u> | <u>Description</u> | <u>Replacement Part Number</u> | <u>Exchange Part Number</u> |
|-------------|-------------------------|--------------------------------|-----------------------------|
| 1 | Box Assembly | 5063-4597 | — |
| a | Rear Bezel | - | |
| b | Bumper Foot | - | |
| c | System Board Side Guide | - | |
| d | Security Bracket | - | |
| e | Side Panel | -- | |
| f | I/O Panel Blank | | |
| g | Filler Panel 5.25 inch | 5041-2578 | |
| h | Filler Panel 1.75 inch | 5063-0877 | |
| i | Infrared Filter/Cap | 5042-0504 | |
| j | Cover Lock Assembly | 5062-5590 | |
| | Infrared Module Support | 5063-5707 | — |

| | | | |
|----|---|----------------------------------|-------------|
| 3 | Hard Disk Drive (standard)* | | |
| | 210 MB | D2387-63001 | D2387-69001 |
| | 270 MB | D2894-63003 | D2894-69003 |
| | 340 MB | D2890-63021 | D2890-69021 |
| | 360 MB | D2394-63001 | D2394-69001 |
| | 540 MB | D2395-63001 | D2395-69001 |
| | 720 MB | D2396-63001 | D2396-69001 |
| 4 | Hard Disk Cable (IDE drive) | 5182-0311 | — |
| 5 | Flexible Disk Drive Cable | 5182-1805 | — |
| 6 | Flexible Disk Drive, 3.5-inch | D2035-63004 | — |
| 7 | Mounting Rails for 3.5-inch non-HP Disk Drives | 5063-0309 | — |
| 8 | Status (Control) Panel | 5063-5705 | — |
| 9 | Backplane Assembly | 5063-5704 | |
| 10 | System Board | See PC's system board parts list | |
| 11 | Power Supply Assembly | 5063-4553 | — |
| 12 | Serial Label | 5181-0395 | — |
| | Mounting Rails for 5.25-inch non-HP Disk Drives | Order product number D2880A | |

Parts List for HP Vectra XM2 PC Series

| <u>Item</u> | <u>Description</u> | <u>Replacement Part Number</u> | <u>Exchange Part Number</u> |
|-------------|---------------------------|--------------------------------|-----------------------------|
| | Nameplate: | | |
| | HP Vectra XM2 4/50 Logo | 5042-0552 | — |
| | HP Vectra XM2 4/50i Logo | 5042-0553 | — |
| | HP Vectra XM2 4/66 Logo | 5042-0554 | — |
| | HP Vectra XM2 4/66i Logo | 5042-0555 | — |
| | HP Vectra XM2 4/100 Logo | 5042-0556 | — |
| | HP Vectra XM2 4/100i Logo | 5042-0557 | — |

System Board Parts List for HP Vectra XM2 PC Series 3

| <u>Description</u> | <u>Replacement Part Number</u> | <u>Exchange Part Number</u> |
|--|--------------------------------|-----------------------------|
| System Board (includes integrated IDE disk and Ultra VGA2 controllers)* | | |
| Vectra XM2 | D3201-63001* | D3201-69001* |
| Vectra XM2i (Integrated Ethernet) | D3202-63001* | D3202-69001* |
| Important: When replacing the system board, make sure you have a heatsink and frame assembly (5063-5772) since processor socket may not have the necessary heatsink attachment. | | |
| LAN Adapters: | | |
| Coaxial Adapter board (D2746A) | D2746-63001 | — |
| Processors: | | |
| Intel 486DX-50 | 5063-4583 | — |
| Intel 486DX2-66 | 5063-4584 | — |
| Intel 486DX4-100 | 5063-5371 | — |
| Heatsink and Frame Assembly | 5063-5772 | — |
| Heatsink with Clip to ZIP socket | 5063-5740 | — |
| Cache Memory Modules: | | |
| 256 KB level-two Cache Memory module (D2944A) | 5063-0880 | — |
| Main Memory Modules: | | |
| 8 MB DRAM kit, 70 ns, 32 bits | 5063-4549 | — |
| Video Memory Modules: | | |
| 1 MB Video Memory Module kit (D3241A) | 5063-5710 | — |

*These replacement assemblies are supplied without a processor chip.

**Parity not supported for XM2.

Support Manuals for HP Vectra XM2 PC Series 3

| | |
|---|-------------------|
| Familiarization Guide | D3201A+49A-900001 |
| Technical Reference Manual: Hardware and BIOS | 5962-3416* |

*Electronic File only.

A HP VECTRA POST ROUTINE AND ERROR CODES

POST (POWER-ON SELF-TEST) ROUTINE

This appendix details POST and error messages common to most Vectra PCs. Certain models of the HP Vectra may have a slightly different POST. If the POST of a Vectra is very different, the error messages are provided in the chapter describing that Vectra. See the chapter contents list for error code entries.

| POST No. | Power-On Self-Test Name |
|-----------------|---|
| 1 | LED Test |
| 2 | Processor Test |
| 3 | System (BIOS) ROM Test |
| 4 | RAM Refresh Timer Test |
| 5 | Interrupt RAM Test |
| 6 | Shadow the System ROM BIOS |
| 7 | CMOS RAM Test |
| 8 | Internal Cache Memory Test |
| 9 | Initialize the Video Card |
| 10 | Test External Cache |
| 11 | Shadow Option ROMs |
| 12 | Memory Subsystem Test |
| 13 | Initialize EISA/ISA Hardware |
| 14 | 8042 Self-Test |
| 15 | Timer 0/Timer 2 Test |
| 16 | DMA Subsystem Test |
| 17 | Interrupt Controller Test |
| 18 | RAM Address Line Independence Test |
| 19 | Size Extended Memory |
| 20 | Real-Mode Memory Test (First 640 K) |
| 21 | Shadow RAM Test |
| 22 | Protected Mode RAM Test (Extended RAM) |
| 23 | Real-Time Clock Test |
| 24 | Keyboard Test |
| 25 | Mouse Test |
| 26 | Hard Disk Test |
| 27 | LAN Test |
| 28 | Flexible Disk Controller Subsystem Test |
| 29 | Internal Numeric Coprocessor Test |
| 30 | Weitek Coprocessor Test |
| 31 | Clock Speed Switching Test |
| 32 | Serial Port Test |
| 33 | Parallel Port Test |

For more information on the POST routines, refer to the PCs' reference manual.

ERROR CODES

| <u>Error Code (hex):</u> | <u>Description:</u> |
|--------------------------|---|
| 000F | Microprocessor error |
| 001X | BIOS ROM Error |
| 008X | Video ROM Error |
| 009X | Option ROM Error while testing address range C800-DFFFh |
| 00AX | |
| 00BX | |
| 00CX | Option ROM Error while testing address range E000-EFFFh |
| 00DX | |
| 011X | RTC Error while testing the CMOS register |
| 0120 | RTC Error |
| 0130 | RTC/System Configuration Error |
| 0240 | CMOS Memory/System Configuration Error |
| 0250 | Invalid Configuration |
| 0241 | CMOS Memory Error |
| 0280 | |
| 02C0 | EEPROM Error |
| 02C1 | |
| 02D0 | Serial # not present |
| 030X | Keyboard/Mouse Controller Error |
| 0311 | |
| 0312 | |
| 032X | |
| 033X | |
| 03E0 | |
| 03E1 | |
| 03E2 | |
| 03E3 | |
| 03E4 | |
| 03EC | |
| 034X | Keyboard Test Failure |
| 035X | |
| 03E5 | Mouse Test Failure |
| 03E6 | |
| 03E7 | |
| 03E8 | |
| 03E9 | |
| 03EA | |
| 03EB | |
| 0401 | Protected Mode Failure |
| 050X | Serial Port Error |
| 0510 | |
| 0520 | |
| 0543 | Parallel Port Error |
| 0545 | |
| 0506 | Datacomm Conflict |
| 0546 | |
| 06XX | Keyboard Key Stuck |
| 07XX | Processor speed error |

| | |
|--------|---|
| 0800 | Boot ROM Conflict |
| 0801 | Boot ROM Not Found |
| 081X | Integrated Ethernet Interface Errors |
| 0900 | Fan Error |
| 110X | Timer Error |
| 1200 | |
| 1201 | |
| 20XA | Memory Mismatch |
| 21XX | DMA Error |
| 22XX | |
| 30XX | HP-HIL Error* |
| 4XXX | RAM Error |
| 5XXX | |
| 61XX | Memory Address Line Error |
| 62XX | RAM Parity Error/memory Controller Error |
| 630X | RAM Test Error |
| 6400 | |
| 6500 | BIOS ROM Shadow Error |
| 6510 | Video BIOS Shadowing Error/system ROM Error |
| 6520 | Option ROM Shadowing Error |
| 65A0 | Shadow Error probably caused by system board memory |
| 65B0 | |
| 65C0 | |
| 65D0 | |
| 65E0 | |
| 65F0 | |
| 66XX | Shadow Error probably caused by memory on accessory board |
| 7XXX | Interrupt Error |
| 8003 | Bad Drive Configuration |
| 8005/6 | |
| 8004 | CMOS Drive/System Configuration Error |
| 8007 | |
| 8X0D | Controller Busy/Controller Error |
| 8X10 | |
| 8X12 | |
| 8X20 | |
| 8X21 | |
| 8X38 | |
| 8X3C | |
| 8X40 | |
| 8X45 | |

*Only for HP-HIL PCs (ES, QS and RS)

| | |
|------|-------------------------------------|
| 8X0E | Hard Disk Error |
| 8X0F | Hard Disk Drive Mismatch |
| 8X11 | Hard Disk Drive Control Error |
| 8X13 | |
| 8X30 | |
| 8X39 | |
| 8X3A | |
| 8X3B | |
| 8X41 | |
| 8X42 | |
| 8X43 | |
| 8X44 | |
| 8X49 | |
| 8X4B | |
| 8X28 | Hard Disk Drive Splitting Error |
| 8048 | Hard Disk Drive Identity Error |
| 804A | |
| 8050 | Hard Disk Drive Controller Conflict |
| 84XX | Bad Boot Sector |
| 9XXX | Flexible Disk Drive Error |
| 9X0A | Flexible Disk Drive Conflict |
| 9X10 | |
| A00X | Numeric Coprocessor Error |
| B300 | Cache Controller Error |
| B320 | Memory Cache Module Error |
| CXXX | Extended RAM Error* |
| EXXX | Bus Memory Error |

B HP VECTRA HARDWARE IRQS AND MEMORY MAP

HP VECTRA INTERRUPTS (IRQS) AND I/O ADDRESSES

These Interrupts and I/O addresses are common to most HP Vectras. The exceptions for each Vectra are described in the Vectras individual chapter. For example, the HP Vectra 486VL is described in Chapter 6.

| Interrupt Vector # Hex | Interrupt Vector Address Hex | IRQ | Typical Function | I/O Port Hex |
|-----------------------------------|---|------------|----------------------------|---------------------|
| 08 | 20-23 | IRQ 0 | Timer | 040-043 |
| 09 | 24-27 | IRQ 1 | Keyboard controller chip | 060, 064 |
| 0A | 28-2B | IRQ 2 | Cascade from INTC2* | - |
| 0B | 2C-2F | IRQ 3** | Serial Port 1*** (COM2) | 2F8-2FF |
| 0C | 30-33 | IRQ 4 | Serial Port 0*** (COM1) | 3F8-3FF |
| 0D | 34-37 | IRQ 5** | Parallel Port 1**** (LPT2) | 278-27F |
| 0E | 38-3B | IRQ 6 | Flexible Disk Controller | 3F0 — 3F7 |
| 0F | 3C-3D | IRQ 7 | Parallel Port 0**** (LPT1) | 378-37F |

*INTC2: interrupt controller 2, also known as PIC #2 (programmable interrupt controller 2).

**Be default the network software may configure your LAN board to use IRQ3. If Serial port 1 is being used by a printer/plotter, then the LAN board must be reconfigured to use IRQ5 (if this is available).

***The BIOS references serial ports as Serial Port 0 to Serial Port 3. MS-DOS references the serial ports as COM1 to COM4. In addition, MS-DOS only counts the serial ports that are present. For example, if Serial Ports 0, 1 and 2 are present, MS-DOS calls them COM1, COM2, and COM3 respectively. If only Serial Port 3 is present, MS-DOS calls it COM1.

****The BIOS references parallel ports as Parallel Port 0 and Parallel Port 1. MS-DOS references the parallel ports as LPT1 and LPT2. In addition, MS-DOS only counts the parallel ports that are present. For example, if Parallel Ports 0 and 1 are present, MS-DOS calls them LPT1 and LPT2 respectively. If only Parallel Port 0 is present, MS-DOS calls it LPT1.

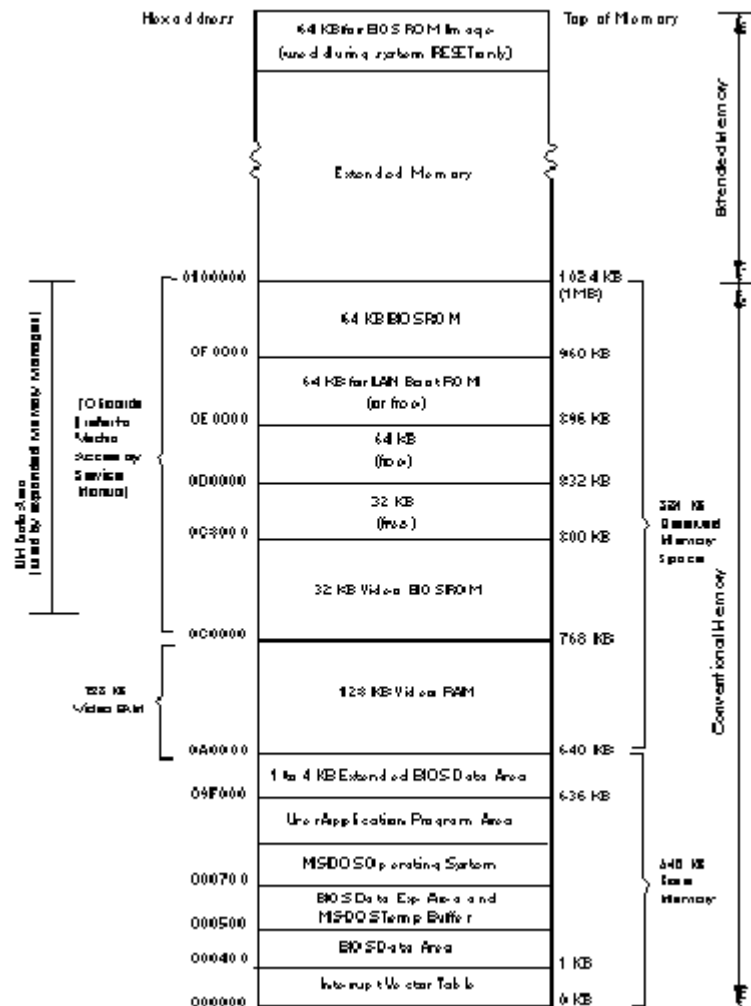
| Interrupt Vector # Hex | Interrupt Vector Address Hex | IRQ | Typical Function | I/O Port Hex |
|-----------------------------------|---|------------|-------------------------|---|
| 70 | 1C0-1C3 | IRQ 8 | Real-time Clock | 070-071 |
| 71 | 1C4-1C7 | IRQ 9 | VGA controller | |
| 72 | 1C8-1CB | IRQ 10 | Serial Port 2 (COM3) | 3E8-3EF |
| 73 | 1CC-1CF | IRQ 11 | Serial Port 3 (COM4) | 2E8-2EF |
| 74 | 1D0-1D3 | IRQ 12 | mini-DIN Mouse or HIL | Mouse: 060, 064 HP-HIL: 068, 06C to 06F |
| 75 | 1D4-1D7 | IRQ 13 | Math coprocessor | 0F0-0FF |
| 76 | 1D8-1DB | IRQ 14 | Hard Disk Controller | 1F0-1F7 |
| 77 | 1DC-1DF | IRQ 15 | Reserved | - |

For more information on a PC's address space, memory map, a list of the interrupts, the IRQ numbers and I/O addresses currently used by a PC you can use the Microsoft Diagnostic utility supplied with Windows version 3.1, MS-LAN Manager version 2.10 or more recently MS-DOS version 6.0.

To start the utility, type **MSD** [ENTER].

For more information about the Microsoft diagnostic utility (MSD.EXE), refer to Appendix C of this handbook.

HP VECTRA MEMORY MAP



C HP UTILITIES AND DOS QUICK REFERENCE

OVERVIEW

This chapter provides information on some useful MS-DOS commands and HP utilities. For the latest information about commands for your version of MS-DOS refer to the *MS-DOS User Reference* manual.

MICROSOFT DIAGNOSTIC UTILITY

(MS-DOS 6.0, MS-Windows 3.1, MS-LAN Manager 2.10 and above)

The Microsoft diagnostic utility provides detailed technical information about the PC under the following categories.

| | |
|------------------|--|
| Computer | Displays computer manufacturer, processor type, and bus type; ROM BIOS manufacturer, version and date; keyboard type; DMA controller configuration; and math coprocessor status. |
| Memory | Displays a map of the upper memory area (UMA)-the memory region from 640K to 1024K. |
| Video | Shows your video card manufacturer, model, and type; video BIOS version and date; and current video mode. |
| Network | Displays network-specific configuration information. |
| Operating System | Displays the operating system version, location of MS-DOS in memory, the drive the computer was started from, the current environment settings, and the path from which MSD was run. |
| Mouse | Shows the MS-DOS mouse driver version, mouse type, mouse interrupt request line (IRQ) number, and other information specific to the configuration of the mouse. |
| Other Adapters | Displays the game card status for up to two game devices or joysticks. |
| Disk Drives | Displays the size and number of bytes free on local and remote drives. |
| LPT Ports | Displays the port addresses of all installed parallel ports, and displays the status of each port. |
| COM Ports | Displays the port addresses and current communications parameters of all installed serial ports, and displays the status of each port. |
| IRQ Status | Displays the configuration of the hardware IRQs. |
| TSR Programs | Displays the name, location in memory, and size of each program loaded in memory at the time MSD was run. |
| Device Drivers | Displays the names of all device drivers installed at the time MSD was run. |

Starting the diagnostic utility

If you want to examine some technical information about the PC, start the diagnostic utility by typing the following at the command prompt:

```
MSD [ENTER]
```

The utility has an interface that makes it easy for you to access detailed technical information about the PC.

Creating a report

If you want to create a file called REPORT.TXT that contains a detailed technical report about the PC. To do this, you could type the following at the command prompt:

```
MSD /P REPORT.TXT [ENTER]
```

If you want to create a detailed report about the PC and you wanted the report to include such information as your name, company, address, and phone number, you would type the following at the command prompt:

```
MSD /F REPORT.TXT [ENTER]
```

| MSD.EXE Switches | Description |
|---------------------------------|---|
| <i>/I</i> | Specifies that MSD does not initially detect hardware. Use the /I switch if you are having problems starting MSD or if MSD is not running properly. |
| <i>/F[drive:][path]filename</i> | Prompts you for name, company, address, country, phone number, and comments, then writes a complete MSD report to the file you specify. |
| <i>/P[drive:][path]filename</i> | Writes a complete MSD report to the file you specify, without prompting you for information. |
| <i>/S[drive:][path]filename</i> | Writes a summary MSD report to the file you specify, without prompting you for information. If you do not specify any of the parameters, MSD writes the report to the screen. |
| <i>/B</i> | Runs MSD in black and white instead of color. Use the /B switch when you have a monitor that does not correctly display MSD in color. |

DIAGNOSTIC UTILITY (HP)

The HP Vectra PC diagnostic utility is a low-level DOS-based hardware diagnostic utility. The following table summarizes which tests can be used on which PCs. Note that the diagnostic utility will not test third party accessories.

| <u>PC *</u> | <u>Flex. Disk</u> | <u>Hard Disk</u> | <u>SCSI</u> | <u>Tape</u> | <u>Data-comm</u> | <u>Video</u> | <u>Memory</u> | <u>SPU</u> | <u>Key-board**</u> | <u>LAN</u> |
|---|-------------------|------------------|-------------|-------------|------------------|--------------|---------------|------------|--------------------|------------|
| Classic Desktop Vectras*** | | | | | | | | | | |
| ES | Y | Y | | Y | | | | | | |
| QS | Y | Y | | Y | Y | Y | Y | Y | | |
| 286/12 | Y | Y | | Y | Y | Y | Y | Y | Y | |
| 386/25 | Y | Y | | Y | Y | Y | Y | Y | Y | |
| Low-Profile Desktop Vectras**** | | | | | | | | | | |
| 386N | Y | Y | Y | | Y | Y | Y | Y | Y | Y |
| 386/33 N & NI | Y | Y | Y | | Y | Y | Y | Y | Y | Y |
| 486N & NI | Y | Y | Y | | Y | Y | Y | Y | Y | Y |
| N2 | Y | Y | Y | | Y | Y | Y | Y | Y | Y |
| Medium-Profile Desktop Vectras**** | | | | | | | | | | |
| 486M & MI | Y | Y | Y | | Y | Y | Y | Y | Y | Y |
| 486XM | Y | Y | Y | | Y | Y | Y | Y | Y | Y |
| 486VL | Y | Y | Y | | Y | Y | Y | Y | Y | Y |
| XP | Y | Y | Y | | Y | Y | Y | Y | Y | Y |
| XM2 | Y | Y | Y | | Y | Y | Y | Y | Y | Y |
| VL2 | Y | Y | Y | | Y | Y | Y | Y | Y | Y |
| M2 | Y | Y | Y | | Y | Y | Y | Y | Y | Y |
| Full-Height Desktop Vectras | | | | | | | | | | |
| 386s | Y | Y | Y | | Y | Y | Y | Y | Y | Y |
| 486S/2 0 | Y | Y | Y | Y | Y | Y | Y | Y | Y | |
| XU | Y | Y | Y | | Y | Y | Y | Y | Y | Y |
| Deskside Vectras | | | | | | | | | | |
| RS | Y | Y | Y ***** | Y | Y | Y | Y | Y | | |
| 486 | Y | Y | Y | Y | Y | Y | Y | Y | Y | |

*Vectra 486U and 486ST tests are not available. Use a third party test.

**Keyboard interface test only (keyboard itself is not tested).

***Tests for these Vectras are included with the Diagnostic Utility 5.25-inch diskette Rev: A.03.06 P/N 5063-0843.

****Tests for these PCs are included with the Vectra Diagnostic Utility Rev: B.00.03 (available June '94 on HP Support BBS).

*****SCSI tests are only available on the RS/25C.

PART NUMBERS FOR DIAGNOSTIC TOOLS

| <u>Description</u> | <u>Part Number</u> |
|---|------------------------------|
| HP Vectra PC Diagnostic Utility Kit (ver. B.00.03) | Available on HP internal BBS |
| 9-pin Datacomm Test Hood | 24540-60010 |
| 25-pin Serial Datacomm Test Hood | 02620-60062 |
| 25-pin Parallel Datacomm Test Hood | 24540-60011 |
| Memory Module Extractor Tool (Vectra 386/25) | 5181-4810 |
| Peripheral Exerciser Disk Kit | 45935-63210 |
| Electrically Conductive Field Service Grounding Kit | 9300-1609 |
| Vectra RS Cache Memory Board Removal Tool | D2010-40001 |
| PLCC IC extractor tool | 5041-2553 |
| 486 Microprocessor Removal Tool | 8710-1944 |

DOS HELP (MS-DOS 5.0 AND ABOVE)

For information on MS-DOS 5.0 command syntax, type HELP command.

For example, for help on the format command, type HELP FORMAT.

(For more information relevant to your version of MS-DOS, refer to the *MS-DOS User Reference* manual.)

EASY CONFIG — FOR DESKSIDE EISA PCS (HP)

EASY CONFIG is used on HP Vectra 486, 486/25T and 486/33T EISA-bus computers. When you install boards and options in an EISA computer, or change the amount of memory installed, you must reconfigure the computer with the EASY CONFIG utility.

EASY CONFIG examines the details of all the boards and options installed, to determine the best conflict-free configuration. This configuration is saved in a file called SYSTEM.SCI.

To run EASY CONFIG, enter either

`SD [ENTER]`

or

`CF [ENTER]`

Running CF bypasses the main EASY CONFIG menu and jumps directly to:
Configure computer - advanced method

Advanced method allows you to add, remove, or move all types of boards, to change the functions and resources on these boards, and to look at more detailed information about them.

EASY CONFIG options

- /B* this option should be used with any non-standard display.
- /E* sets Easy Configuration mode - only works with CF.
- /F* sets Fast Configuration mode - only works with CF.
- /H* displays hi-resolution text on EGA and VGA displays.
- /K* disables the mouse during EASY CONFIG sessions.
- /M* enables monochrome display of EASY CONFIG screens.
- /N* runs EASY CONFIG in "Modeling Mode". This mode can be used to create an alternative SYSTEM.SCI system configuration file. This only works with CF.
- /T* displays a detailed view of the present configuration. This only works with CF.

FORMAT COMMAND (MS-DOS)

FORMAT is an external DOS command used to prepare a disk for use.

FORMAT drive /1 /4 /8 /N:sectors /T:tracks /V:label /S

FORMAT drive /1 /B /N:sectors /T:tracks

FORMAT drive /V:label /F:size /S

DOS 5.0: *FORMAT drive /V:label [/Q] [/U] /F:size [BVS]*

- /1* formats 5.25-inch diskettes as single-sided (160/180 KB single-sided and 320/360 KB double-sided diskettes only).
- /4* formats 5.25-inch single- and double-sided diskettes in a high density (1.2 MB) drive (160/180 KB single-sided and 320/360 KB double-sided diskettes only).
- /8* formats a diskette with only eight sectors per track (160/180 KB single-sided and 320/360 KB double-sided diskettes only).
- /N:sectors* specifies number of sectors per track. Specify 80 for a 3.5-inch 720 KB diskette. Always use */T: tracks* with */N: sectors*. (When possible, use */F* instead of */T*.)
- /T:tracks* specifies number of tracks per side. Specify 80 for a 3.5-inch 720 KB diskette. Always use */T: tracks* with */N: sectors*. (When possible, use */F* instead of */T*.)
- /V:label* assigns "label" as the volume label for the diskette (or disk).
- /F:size* specifies the size of the diskette to format. *Size* can be one of the following: 160 KB, 180 KB, 320 KB, 720 KB, 1.2 MB or 1.44 MB; and for DOS 5.0, 2.8 MB 3.5-inch. */T: tracks* and */N: sectors* cannot be used with this parameter.
- /B* formats a disk with eight sectors per track and reserves space for DOS bootstrap information to be written to it using the SYS command. This parameter provides backward compatibility for earlier versions of MS-DOS. Do not use */B* and */S* together.
- /S* writes system bootstrap information to the disk when the format has completed.
- /Q* (DOS 5.0) quick format — deletes the file allocation table but does not check the disk for bad sectors.
- /U* (DOS 5.0) unconditional formatting — destroys existing data on the disk.

(For more information relevant to your version of MS-DOS, refer to the MS-DOS User Reference manual.)

MEMORY MANAGERS

MEMMAKER (DOS 6.0 AND ABOVE)

For PCs with DOS 6.0 and above use MemMaker to optimize extended memory. This automatically detects the available memory and modifies the CONFIG.SYS, AUTOEXEC.BAT and WIN.INI files make the best use of it.

The MemMaker syntax is:

```
MEMMAKER [/B] [/BATCH] [/T] [/UNDO] [W:n,m]
```

For example, to run MemMaker in batch mode and direct it not to reserve any upper memory for Windows translation buffers, use the following command.

```
MEMMAKER /BATCH /W:0,0
```

If you wish to return to the previous configuration before running MemMaker, use the following command.

```
MEMMAKER /UNDO
```

(For more information relevant to your version of MS-DOS, refer to the MS-DOS User Reference manual.)

EMM386.EXE (DOS 5.0 AND ABOVE)

EMM386.EXE is the MS-DOS 5.0 expanded memory manager for 386 and 486 PCs. It converts extended memory to expanded memory for programs that need expanded memory. If it is on the hard disk, it can be activated by including these default commands in the CONFIG.SYS file:

```
DEVICE=HIMEM.SYS  
DEVICE=EMM386.EXE
```

Once activated it can be turned on/off by typing: EMM386.EXE [ON/OFF]

You will need to customize the EMM386.EXE syntax if you have an accessory board that uses reserved memory address space (such the ScanJet board). The EMM386.EXE syntax is:

```
DEVICE= [drive:] [path] EMM386.EXE [ON/OFF/AUTO] [MEMORY] [W=ON/W=OFF]  
[Mx]FRAME=address/Pmmmm] [Pn=address]  
[X=mmmm-nnnn] [I=mmmm-nnnn] [B=address] [L=minXMS] [A=altregs] [H=handles]  
[D=nnn] [RAM] [NOEMS]
```

The RAM and NOEMS options allow you to use lost upper memory bytes.

For more information relevant to your version of MS-DOS, refer to the MS-DOS User Reference manual.

HIMEM.SYS (DOS 5.0 AND ABOVE)

HIMEM.SYS is the MS-DOS 5.0 extended memory manager. If it is on the hard disk, it can be activated by including this default command in the CONFIG.SYS file:

DEVICE=HIMEM.SYS

HIMEM.SYS must be the first driver that uses extended or expanded memory in your CONFIG.SYS file.

The HIMEM.SYS syntax is:

```
DEVICE=[drive:] [path] HIMEM.SYS [/HMAMIN=m] [/ NUMHANDLES=n] [/INT15=xxxx]  
[/MACHINE:xxxx] [/A20CONTROL:ON|OFF]  
[/SHADOWRAM:ON|OFF] [/CPUCLOCK:ON|OFF]
```

For more information relevant to your version of MS-DOS, refer to the MS-DOS User Reference manual.

HPMM.SYS (DOS 4.0 AND EARLIER)

It is recommended that you install EMM386.EXE in preference to HPMM.SYS.

HPMM.SYS is HP's expanded memory manager supplied with 386- and 486-based PCs.

If HPMM.SYS is on the hard disk, it can be activated by including this default command in the CONFIG.SYS file: `DEVICE=HPMM.SYS`

The HPMM.SYS syntax is:

```
DEVICE=[drive:] [path] HPMM.SYS [size] [state] [FRAME=nnnn] [W=on|off]  
[INCLUDE=xxxx-yyyy] [EXCLUDE=zzzz-aaaa] [EXT=nnnn] [DMA=nnn] [NOXRAM]  
[AMRS=xx] [NOHMA] [HMAMIN=nn] [RELOCATE=xxxx-yyyy]
```

You will not be able to run Windows 3.0 in 386 Enhanced Mode if the Weitek FPA support is enabled with `W=ON`.

For more information, refer to the documentation that came with the PC.

HPEMM.SYS (VECTRA 286/12 PC)

HPEMM.SYS is HP's Expanded Memory Manager supplied with the HP Vectra 286/12 PC. If it is on the hard disk, it can be activated by including this default command in the CONFIG.SYS file: `DEVICE=HPEMM.SYS`

The HPEMM.SYS syntax is:

```
DEVICE=[drive:] [path] HPEMM.SYS [FRAME=nnnn] [INCLUDE=xxxx-yyyy]  
[EXCLUDE=zzzz-aaaa] [EXT=nnnn] [NOXRAM] [TEST] [HANDLES=nn]  
[CONTEXTS=nnn] [DEPTH=nn] [AUTOSIZE]
```

For more information, refer to the documentation that came with the PC.

HPEMM386.SYS (VECTRA RS AND QS PCS)

It is recommended that you install EMM386.EXE in preference to HPEMM386.SYS. HPEMM386.SYS is HP's original Expanded Memory Manager for the HP Vectra RS and QS PCs. If it is on the hard disk, it can be activated by including this default command in the CONFIG.SYS file: `DEVICE=HPEMM386.SYS`

The HPEMM386.SYS syntax is:

```
DEVICE=[drive:] [path] HPEMM386.SYS [size] [state] [FRAME=nnnn] [W=on|off]
[INCLUDE=xxxx-yyyy] [EXCLUDE=zzzz-aaaa] [EXT=nnnn] [DMA=nnn] [NOXRAM]
[AMRS=xx] [LOWFRAME] [REBOOT] [NOHMA] [NOWARMBOOT] [NUMHANDLES=nn]
[HMAMIN=nn]
```

For more information, refer to the documentation that came with the PC.

HPMODE UTILITY (VECTRA QS AND RS PCS)

HPMODE is supplied with PCs equipped with an HP-HIL interface.

HPMODE can be used to temporarily change the processor speed, cache memory, or the HP-Human Interface Link (if the EX-BIOS is present).

HPMODE SPE speed

speed is the PC speed: *LOW* 8 MHz *HIGH* highest speed of the computer *AUTO* "HIGH" with automatic switch to "LOW" for flexible disk access If no speed is specified, the current setting is displayed.

HPMODE MEM setting

setting is the state of the cache memory, when applicable. Can be *ON* or *OFF*.

HPMODE HIL setting

setting can be *ON* or *OFF*.

HPROMINIT UTILITY (HP)

The HPROMInit utility is supplied with HP Vectra 386/33N & NI, HP Vectra 486N & NI PCs, HP Vectra 486M & MI PCs and HP 486XM PCs.

It is used to update the system ROM and set the language for SETUP, the error message utility, and system error messages.

To re-initialize the system ROM:

1. If the HPROMInit utility is on the hard disk drive, copy it onto a "bootable" diskette as follows:
 - a. Insert a diskette in drive A, then type:

```
FORMAT A: /S [ENTER]
```
 - b. When the formatting has finished, type:

```
COPY C:\HPUTILS\HPINIT\*. * A: [ENTER]
```
2. When the copying has finished, leave the diskette in drive A and press the Reset button. Wait for the ROM initialization procedure to finish.
3. Remove the HPROMInit diskette.
4. Switch the PC OFF and then ON.

HPUPDATE UTILITY (HP)

HPUpdate is supplied on the Vectra HPUpdate diskette shipped with the HP Vectra 486s/20, 486U PC Series, and 486ST PCs.

HPUpdate can be used to update (flash) the BIOS into the FLASH ROM of the Vectra 486s/20, 486U PC Series, and 486ST PCs.

HPUVGA UTILITY (HP)

HPUVGA is supplied on the Vectra 486s/20, 486U PC Series, and 486ST PCs.

It can be used to manage UVGA on the 486s/20 and UVGA+ on the 486U PC Series and 486ST. For example, it can be used to identify the type of video, the amount of video memory, and the video BIOS version of the PC. It can also select a display, compatibility model, and resolution.

HPVIEW UTILITY (HP)

HPVIEW is supplied on the Vectra diskette #1 shipped with the HP Vectra 486U PC Series and 486ST PCs. It can be used to display and print out the PC's configuration.

MEM COMMAND (MS-DOS)

MEM is an external DOS command, available since DOS 4.0, that displays the amount of used and free memory, lists allocated memory and free memory, and lists programs loaded.

| | |
|-----------------|---|
| MEM /P[ROGRAM] | displays status of programs loaded in memory |
| MEM /D[EBUG] | displays status of programs and internal drivers, and other information |
| MEM /C[LASSIFY] | lists the size of programs and amount of memory used, and lists largest memory block used |

For more information relevant to your version of MS-DOS, refer to the MS-DOS User Reference manual.

MODE COMMAND (MS-DOS)

MODE is an external DOS command that sets the parameters for displaying device status, video display, serial communication, parallel printers, parallel output redirection, keyboard auto-repeat rate, and code page switching modes.

Serial Communication Mode

MODE COMn : BAUD=*b* PARITY=*p* DATA=*d* STOP=*s* RETRY=*ra*

| | |
|-----------|--|
| <i>n</i> | Serial port number COM1, COM2, COM3, or COM4 |
| <i>b</i> | Baud rate — 110, 150, 300, 600, 1200, 2400, 4800, 9600, or 19200 (only the first two digits of any value are required). Default: 2400. |
| <i>p</i> | Parity — N (no), O (odd) or E (even). Default: E |
| <i>d</i> | Data bits — 5, 6, 7, or 8. Default: 7 |
| <i>s</i> | Stop bits — 1, 1.5, or 2. Default: 1 |
| <i>ra</i> | Retry action (do not use <i>ra</i> if MODE is used over a network): |

E return error from busy port
B return busy from busy port, continuously retry
R return ready from busy port
NONE no retry action is taken
Default: *E*

Parallel Printer Mode

MODE LPTn: COLS=c LINES=l RETRY=ra

n Parallel printer device — LPT1, LPT2 or LPT3
c Horizontal spacing — 80 or 132 characters per line.
l Vertical spacing — 6 or 8 lines per inch
ra Retry action (do not use *ra* if MODE is used over a network):
 E return error from busy port
 B return busy from busy port, continuously retry
 R return ready from busy port
 NONE no retry action is taken
Default: *E*

For more information relevant to your version of MS-DOS, refer to the *MS-DOS User Reference* manual.

PRINTCFG — FOR DESKTOP EISA PCS (HP)

PrintCFG is an HP Utility that lets you view information about which board a configuration (CFG) file is associated with. PrintCFG is supplied on the Vectra diskette #2 shipped with the HP Vectra 486s/20, 486U PC Series, and 486ST PCs.

To run PrintCFG, enter:

PRINTCFG [drive:] [path] [filename.cfg] [>PRN]

filename.cfg is the name of the CFG file. You must use the CFG extension.
>PRN sends the information to the printer.

SAM — FOR DESKTOP EISA PCS (HP)

EISA Configuration with System Administration Manager

The System Administration Manager is supplied on the Vectra diskette #1, shipped with the HP Vectra 486s/20, 486U PC Series, and 486ST PCs.

The HP Vectra 486s/20, 486U PC Series, and 486ST are EISA-bus PCs. When you install boards and options, or change the amount of memory installed, you must reconfigure the PC using the System Administration Manager utility.

System Administration Manager examines the details of all the boards and options installed to determine the best conflict-free configuration. This configuration is saved in a file called SYSTEM.SCI.

To run System Administration Manager, boot the Vectra #1 diskette.

SAM options

/A this option selects the advanced/dealer mode. It is used to display features that are not available when running the EISA Configuration Utility in normal mode.
/B this option should be used with any non-standard display.
/H displays hi-resolution text on EGA and VGA displays.
/K disables the mouse during EASY CONFIG sessions.
/M enables Monochrome display of EASY CONFIG screens.

SETUP UTILITY (VERSIONS B AND C)

Setup is an HP utility on the Vectra Setup and Utilities Disk supplied with the HP Vectra ES, QS, RS, 286/12, and 386/25. It can be used to change the configuration information stored in CMOS RAM and initialize ST-506 hard disks. Some of the Setup command line options described below are not available on all Vectras.

Setup options

| | |
|------|--|
| /BAK | makes a backup disk of the Setup master disk. This option creates a backup Setup work disk from the Setup and Utilities Disk. |
| /C | specifies the drive characteristics for an "unknown" hard disk drive type. |
| /D | manually marks hard disk defects. This option allows you to manually enter hard disk defects. A list of known defects is usually supplied with the hard disk. |
| /E | re-initialize ESDI drive types 39, 40, 41, 42, 43, 45, 46 or 47. These drives are normally pre-initialized. |
| /F | fast initialization. This option performs an initialization only, without a media scan or surface analysis. This option <i>does not</i> mark defects on a hard disk. |
| /GBS | enables/disables global BIOS shadowing (Vectra 286/12 only). |
| /H | displays all available options. This option displays all of the Setup command line options available for the Vectra on which Setup is running. |
| /I | sets the hard disk interleave factor. (Do not change this value unless you understand the reasons for doing so.) |
| /M | displays the Setup screens in monochrome. |
| /MEM | enables/disables cache memory. |
| /ORS | enables/disables option ROM shadowing (Vectra 286/12 and 386/25 only). |
| /SA | saves a system configuration to a file. This option saves the present Setup configuration (stored in CMOS RAM) to a file. |
| /R | loads a system configuration from a file. |
| /S | loads the Setup shell. This option displays the main menu of the Setup program. |
| /T | displays the disk drive type table (from version B.06.00) |
| /VBS | enables/disables video BIOS shadowing (Vectra 286/12 and 386/25 only). Enabling video BIOS shadowing copies the video BIOS to RAM. |
| /X | scans the hard disk to list marked defects. This option confirms that any defects found on the disk at the factory have been marked on the disk as defective. |

SETUP (VERSION D)

Setup version D is a menu-driven utility with context-sensitive help built into the HP Vectra 386s, 386N & NI, 486N & NI, 486M & MI, and 486XM PC Series. It can be used to change the configuration information stored in CMOS RAM.

Setup is started by pressing the **[F2]** key after the PC completes its power-on self-test.

SSTOR.SYS UTILITY (DOS 5.0 AND ABOVE)

You cannot use the Volume Expansion disk partitioning utility HARDRIVE.SYS (which was designed for MS-DOS 3.3) to partition your hard disk when you are running MS-DOS 5.0.

If, however, you have already partitioned the hard disk drive using the partitioning utility, you can still use the hard disk drive partitions with MS-DOS 5.0. To do this, you must add the following command to the CONFIG.SYS file:

```
DEVICE=[drive:]:[DOS5.0 path]\SSTOR.SYS
```

For example, DEVICE=C:\DOS\SSTOR.SYS

UNDELETE COMMAND (DOS 5.0 AND ABOVE)

The UNDELETE command attempts to restore files previously deleted using the DEL command.

UNDELETE [*drive:*] [*path*] [*filename*] [/list|all] [/dos|dt]

- list lists the deleted files available for recovery but does not recover any files.
- all recovers deleted files without asking for confirmation.
- dos recovers files deleted by DOS, prompts for confirmation.
- dt recovers files listed in the deletion-tracking file produced by the mirror command.

WHATIS UTILITY (VECTRA 386S AND 386N PC SERIES)

The WHATIS utility (located in the \EU directory of the Vectra 386N PC Series and 386s PC setup disk) displays information on the POST error codes. Type:

WHATIS [xxxx]

where xxxx is the four-digit hex error code.

D HP VECTRA PC SERVICE NOTES

OVERVIEW

This appendix contains the current Service Notes for the HP Vectra product line in product/chronological order.

The Service Notes are available on a System Support Division server that is updated fortnightly. To access this server from a connected DOS-based Vectra using MS LAN Manager, type the following:

```
C:\ ADDNAME WCSOLMX 15.24.176.18 [ENTER]
C:\ NET USE J: \\WCSOLMX\SNOTES [ENTER]
```

The new J: drive contains an index and subdirectories for the service note issues. There are only a limited number of connections to the server. So copy the information you require and then disconnect by typing:

```
C:\ NET USE J: /D [ENTER]
```

This will free the connection for someone else.

Unix users can use the FTP protocol to log onto the server. When you make the connection type SNOTES and press the carriage return key as the password.

| | |
|-------------|--|
| NOTE | FTP from DOS does not work because of password restrictions. |
|-------------|--|

To print the Service Note

Use the DOS copy command to print the service note. For example,

```
C:\ COPY notename.C00 LPT1 /B where notename.C00 is the service note laserjet image.
```

SERVICE NOTE SUMMARY

All Vectras

Problem:

Hard Disk error 8311 — troubleshooting tips

Service Note:

—

Vectras in the Low-profile Desktop Box:

Problem:

Vectra 486N & NI (D27xxA) PC Series

Monitor intermittently flickers or goes blank.

D27xxA-01,
D28xxA-01

New video drivers revision 3.17F available
New system BIOS Version V.04.08 available

D27xxA-01,
D28xxA-01

Vectra 486N (D26xxA) PC Series

New Windows 3.1 video drivers available

D26xxA-01

Vectra 386/33N & NI PC Series

System board and coprocessor socket marked incorrectly

D270xA-01

Vectra N2 & M2 PC Series

Shorter than expected battery life

D30xxA-02,
D31xxA-02,
D33xxA-02,
D3185A-01,
D338xA-01

Vectra N2 PC Series

Shorter than expected life for 3 V coin battery on system board

D31xxA-03,
D31xxB-03,
D33xxA-03

Vectra N2 PC Series

Shorter than expected battery life.

D31xxA-03
D33xxA-03

Vectras in the Medium-profile Desktop Box:

| <u>Problem:</u> | <u>Service Note:</u> |
|---|---------------------------|
| Vectra 486M & MI PC Series | |
| Flexible disk drive cable problem | |
| Monitor intermittently flickers or goes blank. | |
| New video drivers revision 3.17F available New system BIOS Version V.04.08 available | D27xxA-01, D28xxA-01 |
| Vectra 486XM PC Series | |
| Flexible disk drive cable problem | D28xxA-02, D29xxA-01 |
| Vectra 486VL PC Series | |
| Adding support of EGA monochrome add-on cards | D302xA-01 |
| Vectra XP/60 PC Series | |
| Loss of precision on Pentium processor's floating point unit | D300xA-01A, D3003B-01A |
| Vectra VL2 5/60 PC Series | |
| Loss of precision on Pentium processor's floating point unit | D317xA-01A |
| Vectra XM2 PC Series | |
| Incorrect BIOS release installed | D322xA-03, D323xA-03 |
| Vectra XM2 PC Series | |
| Corrupted video caused by 1 MB video memory upgrade | D32xxA-04, D32xxB-04 |

Vectras in the Full-Height Desktop Box:

| <u>Problem:</u> | <u>Service Note:</u> |
|---|----------------------|
| Vectra 386s/20 PCs | |
| Vectra 386s/20 LMSI CD-ROM cannot be accessed through CM50 or CM153 | D251xA-02 |
| New power supply assembly | D251x-03 |
| Vectra 386s/25 PCs | |
| Error detected during Power-On test for a nonexistent memory module | D257xA-01 |
| New power supply assembly | D257xA-02 |
| Vectra XU PC Series | |
| Loss of precision on Pentium processor's floating point unit | D30xxA-01A |

SERVICE NOTES

Service Note: Hard Disk 8311 Error

HP Vectra PCs — All Models
Hard Disk Error 8311

SUPERSEDES: None

Situation:

This information has been prepared to assist you in troubleshooting HP Vectra hard disk drive failures. The first troubleshooting tree focuses on hard disk drive error 8311, which is the most common problem. The second tree is useful with most other hard disk drive failures.

In investigating hard disk errors, we have seen many customer service orders (CSOs) and have noticed that often the components replaced were not faulty.

We feel that these troubleshooting trees will help to cut down the time spent in fault finding.

Refer to the *HP Vectra Accessory Service Handbook* for details on the hard disk drive jumper settings when installing HP disk drives.

DATE: 10 May 1991

ADMINISTRATIVE INFORMATION

Service note classification:

INFORMATION ONLY

Author: AG Entity: 4200

Additional information:

Service Note: D28xxA-02 D29xxA-01

**HP Vectra 486M & MI Personal Computer Series
HP Vectra 486XM Personal Computer Series**

SUPERSEDES: None

Product Serial Numbers:

- 0000F00000 / 3344F99999
- 0000S00000 / 3344S99999

Symptoms:

The system failed the Power-On Self Test for the Flexible drive A: and/or for the System Configuration

To be Performed by: HP-qualified personnel

Parts Affected:

Flexible disk drive cable

Problem Description:

When the flexible disk cable is not connected to a drive, the exposed connector could touch the chassis.

DATE: 19 November 1993

ADMINISTRATIVE INFORMATION

Service note classification:

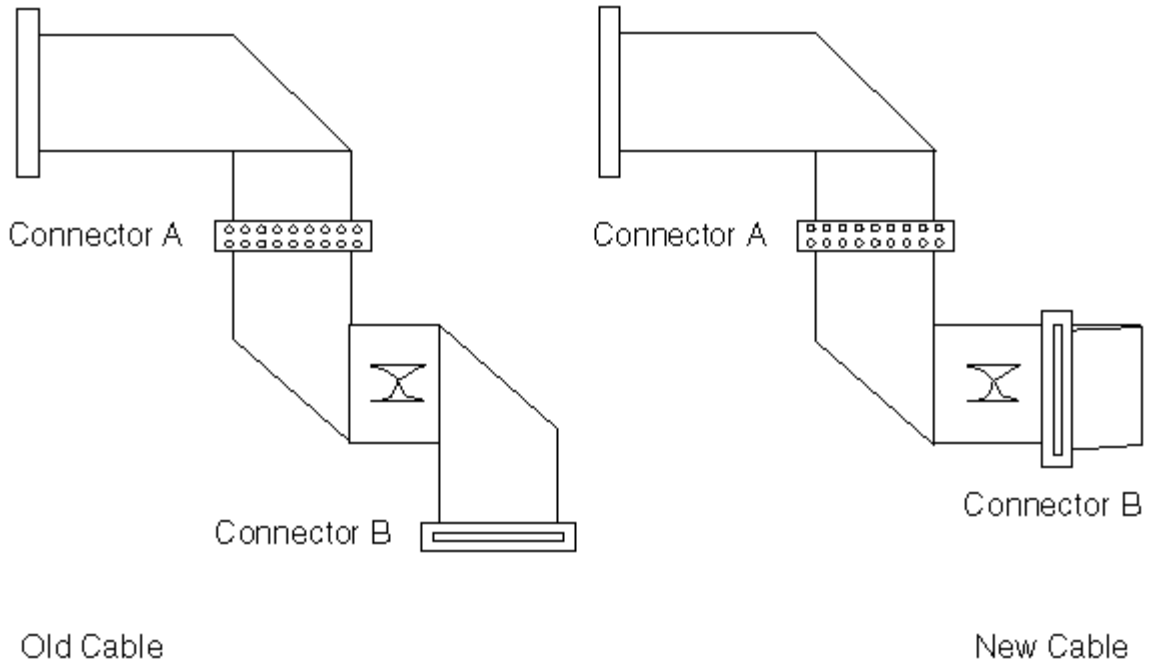
MODIFICATION RECOMMENDED

| | | | | |
|--------------------|---|--|---|---|
| Action category: | <ul style="list-style-type: none"> • immediately • on specified failure • agreeable time | Standards: | | Labor: 0.5 hours |
| Location category: | <ul style="list-style-type: none"> • customer installable • on-site • HP location | Service inventory | <ul style="list-style-type: none"> • return • scrap • see text | Used parts: <ul style="list-style-type: none"> • return • scrap • see text |
| Availability: | Product's support life | Responsible entity: | 6300 | Until: 1 Nov 1995 |
| Author: JV | Entity: 6300 | Additional information: The CSO must refer to this service note. | | |

Solution/Action:

The problem is caused by the twists placed in the cable at manufacture. The solution is to unfold the 90x fold nearest connector B and make a 180x bend to avoid it touching the chassis.

See the illustration below:



This modification is recommended during any SPU repair.

Permanent Solution:

The flexible drive cable has been changed at manufacturing. The old cable part number 5182-0312 has been replaced with a new cable part number 5182-1089.

Service Note: D27xxA-01 D28xxA-01

**HP Vectra 486N & NI (D27xxA) and
HP Vectra 486M & MI
Personal Computer Series (All models)**

SUPERSEDES: None

Product Serial Numbers:

3351F00000 / 3408F99999

Symptoms:

Display intermittently flickers or goes blank. Only a very small quantity of easily identifiable System Boards are affected.

Situation:

A very small quantity of N & NI and M & MI PCs have been shipped with a bad video chip. The bad S3 chip is marked 1xx2-0002. Boards marked 1xx1-0002or 1xU2-0002 are OK.

Solution/Action:

Replace the system board. NB only system boards with video chip marked 1xx2-0002 are covered by this service note. This solution is to be used ON SPECIFIED FAILURE ONLY. Pro-active intervention, or intervention for defects other than that specified is not supported by this service note.

DATE: 17 March 1994

ADMINISTRATIVE INFORMATION

Service note classification:

MODIFICATION RECOMMENDED

| | | | | | |
|--------------------|---|---|-----------|-------------|---|
| Action category: | <ul style="list-style-type: none"> • immediately • on specified failure • agreeable time | Standards: | | | Labor: 0.5 hours |
| Location category: | <ul style="list-style-type: none"> • customer installable • on-site • HP location | Service inventory | No action | Used parts: | <ul style="list-style-type: none"> • return • scrap • see text |
| Availability: | Product's support life | Responsible entity: | 6300 | | |
| Author: BP | Entity: 6300 | Additional information: Service Note Number on CSO. | | | |

Service Note: D27xxA-01 D28xxA-01

**HP Vectra 486N & NI (D27xxA) and
HP Vectra 486M & MI
Personal Computer Series (All models)**

**SUPERSEDES:
D27xxA-01, D28xxA-01**

Product Serial Numbers:

- 0000F00000 / 3412F99999
- 0000S00000 / 3412S99999
- 0000Y00000 / 3412Y99999

New Video Drivers revision: 3.17F
(Supersedes revision A.02.11. Requires BIOS V.04.08.)

New System BIOS version: V.04.08
(Supersedes revision V.04.07)

Situation:

The new drivers eliminate character loss when using TrueType fonts on DeskJet (and certain other printers).

Solution/Action:

Drivers and BIOS are available on hppcgelo.grenoble.hp.com, or via local Response Centers.

DATE: 6 May 1994

ADMINISTRATIVE INFORMATION

Service note classification:

MODIFICATION RECOMMENDED

| | | | |
|--------------------|---|--|----------------------|
| Action category: | <ul style="list-style-type: none"> • immediately • on specified failure • agreeable time | <ul style="list-style-type: none"> • performance enhancement • service/reliability enhancement | |
| Location category: | <ul style="list-style-type: none"> • customer installable • on-site • HP location | Available until: | Product Support Life |
| Author: BP | Entity: 6300 | Additional information: | |

FSI Information. When installing exchange boards following a hardware failure, it is recommended to update the BIOS and video drivers during the same intervention.

Exchange boards (D27xx-69002), with date-code greater than or equal to 3413 contain the latest version of video drivers and US BIOS. When installing exchange boards with date-codes earlier than 3413, it is recommended to update the video drivers and BIOS, using the latest versions obtainable as mentioned.

Service Note: D26xxA-01

HP Vectra 486N (D26xxA) Personal Computer Series

SUPERSEDES: None

Product Serial Numbers:
0000A00000 / 9999Z99999

New Windows 3.1 Drivers

A new and improved version of the Windows 3.1 driver set for the 486N (D26xxA) PC Series Models has been released.

DATE: 5 November 1993

ADMINISTRATIVE INFORMATION

Service note classification:

MODIFICATION RECOMMENDED

| | | |
|------------------|---|---|
| Action category: | <ul style="list-style-type: none">• immediately• on specified failure• agreeable time | <ul style="list-style-type: none">• performance enhancement• service/reliability enhancement |
|------------------|---|---|

| | | | | | |
|--------------------|--|---------------------|------|--------|----------------------|
| Location category: | <ul style="list-style-type: none">• customer installable• on-site• HP location | Responsible entity: | 6300 | Until: | Product support life |
|--------------------|--|---------------------|------|--------|----------------------|

Author: JPB Entity: 6300 Additional information:

Situation

This new driver set eliminates the "snowy screen" syndrome which has been reported by some customers. Because of its very low occurrence, it has mainly been observed on site with a large installed base.

The fully documented standard Windows video driver installation process must be followed and can be performed by the end-user at his/her convenience.

Local HP Response Centers should be contacted to obtain the revised driver set.

**Service Note: D2701A-01 D2702A-01 D2703A-01 D2704A-01
D2707A-01 D2712A-01**

**HP Vectra 386/33N & NI Personal Computers
D2701A D2702A D2703A D2704A D2707 D2712A**

SUPERSEDES: None

Product Serial Numbers:

- 0000F00000 / 3312F99999
- 0000S00000 / 3312S99999
- 0000Y00000 / 3312Y99999

Parts affected:

System board D2701-69001 and D2703-69001.
Third party coprocessor accessory: Cyrix™ 387SL

Symptoms

The PC does not work after coprocessor installation.

ADMINISTRATIVE INFORMATION

Service note classification:

MODIFICATION RECOMMENDED

| | | | | |
|--------------------|---|--|---|---|
| Action category: | <ul style="list-style-type: none">• immediately• on specified failure• agreeable time | Standards: | | Parts Only: 5182-1026 |
| Location category: | <ul style="list-style-type: none">• customer installable• on-site• HP location | Service inventory | <ul style="list-style-type: none">• return• scrap• see text | Used parts: <ul style="list-style-type: none">• return• scrap• see text |
| Availability: | Product's support life | Responsible entity: | 6300 | Until: May 1995 |
| Author: PG | Entity: 6300 | Additional information: Please reference service note number on the CSO. | | |

Description

Units belonging to the above indicated date code range, may not have the coprocessor socket beveled corner, that indicates pin 1, aligned with the silk-screened index dot on the system board.

The Setting Up manual supplied with each PC correctly instructs the user to align the corner marker on the coprocessor with the corner marker on the system board itself (a large white dot). The coprocessor manufacturer's documentation also warns the user against wrongly inserting and refers him/her to the PC manual in case of doubt.

Because previous designs had a systematic coincidence of the socket and board markings, some users may install the coprocessor (Cyrix™ 387SL or 387SX/33), aligning its beveled corner with socket's one. In the above units, this will result in destruction of the coprocessor.

Problem fix:

Provide a replacement coprocessor to the user with instructions to refer to the Vectra N & NI PC Series Setting Up manual for correct installation. (White dot marking on the system board should match the beveled corner of the coprocessor.)

Coprocessor socket corner marker is aligned with the system board marker on production units after date code 3312.

Service inventory

In order to replace damaged customer components, the Cyrix™ 387SL (Also referred to as Cyrix™ 387SX/33) coprocessor has been made available on the HP parts price list, via part centers, under P/N 5182-1026.

Proof of purchase of the original component should be provided to HP personnel to claim for replacement (either the bill or the damaged component itself).

Service Note: D251xA-03 D257xA-02

**HP Vectra 386s/20 Personal Computers and
HP Vectra 386s/25 Personal Computers (all models)**

SUPERSEDES: None

Product Serial Numbers:

- 0000F00000/3312F00000
- 0000S00000/3310S00000
- 0000Y00000/3311Y00000

Parts affected:

Power Supply

Field replacement p/n: 5063-0319; 5063-0333

New Mfg. p/n: 0950-2175; 0950-2388

Situation:

This service note documents a new power supply assembly for use in supporting the HP Vectra 386s/20, and 386s/25 series PCs.

New Field Replacement P/N will be: 5063-0339

New Mfg P/N will be: 0950-2701

DATE: 5 November 1993

ADMINISTRATIVE INFORMATION

Service note classification:

MODIFICATION RECOMMENDED

| | | | | |
|--------------------|---|--|---|---|
| Action category: | <ul style="list-style-type: none"> • immediately • on specified failure • agreeable time | Standards: | | Parts Only: 5182-1026 |
| Location category: | <ul style="list-style-type: none"> • customer installable • on-site • HP location | Service inventory | <ul style="list-style-type: none"> • return • scrap • see text | Used parts: <ul style="list-style-type: none"> • return • scrap • see text |
| Availability: | Product's support life | Responsible entity: | 6300 | Until: 1 Nov 1995 |
| Author: JV | Entity: 6300 | Additional information: The CSO must refer to this servicenote number. | | |

Reason:

The existing power supply is experiencing a higher than normal failure rate due to an intermittently unreliable diode failure. As a result, some small quantities of power supplies have been reported to have failed leaving the PC inoperable.

This failure does NOT cause any other cards in the system to fail NOR is it a safety problem.

Symptoms are:

Fails on power up. The fan is not turning and the power supply is dead!

Service Note: D2512A-02 D2513A-02 D2514A-02 D2515A-02 D2516A-02 D2517A-02

HP Vectra 386s/20 Personal Computers

SUPERSEDES: None

D2512A, D2513A, D2514A, D2515A, D2516A, D2517A

Product Serial Numbers:

- 0000F00000/323F99999

Parts affected:

System Board D2512-60005 and D2512-69005

Symptoms:

LMSI CD-ROM Drive Cannot Be Accessed Through a CM50 or CM153 Controller Board in DMA Mode.

Description:

The problem is due to the duration of a signal from the DMA controller of the system board (D2512A-6x005), which is not compatible with the DMA controller of the CM153.

DATE: 9 October 1992

ADMINISTRATIVE INFORMATION

Service note classification:

MODIFICATION RECOMMENDED

| | | | | |
|--------------------|---|-------------------------|---|---|
| Action category: | <ul style="list-style-type: none">• immediately• on specified failure• agreeable time | Standards: | | Parts Only: 5182-1026 |
| Location category: | <ul style="list-style-type: none">• customer installable• on-site• HP location | Service inventory | <ul style="list-style-type: none">• return• scrap• see text | Used parts: <ul style="list-style-type: none">• return• scrap• see text |
| Availability: | Product's support life | Responsible entity: | 6300 | Until: October 1994 |
| Author: JVA | Entity: 6300 | Additional information: | | |

Solution:

A new system board, P/N D2513-69005, was introduced on 1 July 1992. The part has been updated and an FSI recall has been implemented to replace all support boards with the new revision.

The D2512-6x005 system boards have been replaced with P/N D2513-6x005, as follows:

| <u>Defective Part</u> | <u>Status</u> | <u>Replacement Part</u> |
|-----------------------|----------------|-------------------------|
| D2512-60005 | New | |
| D2512-69005 | Board Exchange | D2513-69005 |
| D2513-60005 | New | |
| D2513-69005 | New | |

**Service Note: D2570A-01 D2571A-01 D2572A-01 D2574A-01 D2575A-01
D2578A-01 D2579A-01**

**HP Vectra 386s/25 Personal Computers
D2570A D2571A D2572A D2574A D2575A
D2578A D2579A**

SUPERSEDES: None

Product Serial Numbers:

- 0000F00000 / 3249F99999
- 0000S00000 / 3249S99999
- 0000Y00000 / 3249Y99999

Parts affected:

System BIOS, version L.03.02

Symptoms:

" Bad Memory Configuration" message:

From time to time, during its execution the Power-On self test detects a bad memory configuration and displays the error message: 20XA (two memory modules of different size in same bank). But in fact, there are no memory modules in this bank.

DATE: 24 December 1992

ADMINISTRATIVE INFORMATION

Service note classification:

MODIFICATION RECOMMENDED

| | | | | |
|--------------------|---|-------------------------|---|---|
| Action category: | <ul style="list-style-type: none">• immediately• on specified failure• agreeable time | Standards: | | Parts Only: 5182-1026 |
| Location category: | <ul style="list-style-type: none">• customer installable• on-site• HP location | Service inventory: | <ul style="list-style-type: none">• return• scrap• see text | Used parts: <ul style="list-style-type: none">• return• scrap• see text |
| Availability: | Product's support life | Responsible entity: | 6300 | Until: November 1994 |
| Author: PG | Entity: 6300 | Additional information: | | |

Problem Description:

The Power-On self test algorithm used to identify the system memory configuration may not be compatible with some signals on the system board (D2490-6x005). The timing for the test is near the limits for certain signals in the system board, resulting in intermittent failures on a small percentage of products.

Problem fix:

A new revision of the system BIOS, version N.03.04 or higher, fixes the problem by changing the memory identification process.

The BIOS, version N.03.04 (P/N 5063-0860) replaces the first version N.03.02 (P/N 5063-0822).

Note for service inventory:

Old BIOS kit version L.03.04 (P/N 5063-0822) is still usable on Vectra 386s/20. This part is therefore "Use Till Gone" for those models.

Service Note: D3021A-04 D3022A-04 D3025A-04 D3026A-04 D3028A-04

HP D302xA Vectra 486/VL Personal Computer

SUPERSEDES: None

Product Serial Numbers:

- 0000A00000/3335A99999
- 0000F00000/3339F99999

and

- 3336A00000/3342A99999 if BIOS revision is AA.05.01
- 3340F00000/3349F99999 if BIOS revision is AA.05.01

Adding Support of EGA Monochrome Add-On Cards

Parts Required:

D3021-69002
D3025-69002

CPU PCA 486SX-25 CPU PCA
486 33 and MHZ

Parts Affected:

D3021-69001
D3025-69001

CPU PCA 486SX
CPU PCA 486DX

DATE: 15 April 1994

ADMINISTRATIVE INFORMATION

Service note classification:

MODIFICATION RECOMMENDED

| | | |
|------------------|---|--|
| Action category: | <ul style="list-style-type: none"> • immediately • on specified failure • agreeable time | <ul style="list-style-type: none"> • performance enhancement • service/reliability enhancement |
|------------------|---|--|

| | | | |
|--------------------|--|------------------|--------------|
| Location category: | <ul style="list-style-type: none"> • customer installable • on-site • HP location | Available Until: | January 1996 |
|--------------------|--|------------------|--------------|

| | | |
|-------------|--------------|-------------------------|
| Author: DPL | Entity: 6300 | Additional information: |
|-------------|--------------|-------------------------|

Situation:

The system board part numbers of the Vectra 486/VL are changing for both exchange and replacement parts.

The reason for the change is to give visibility to the BIOS change for specific configurations.

Starting with BIOS revision AA.05.01, and going on with BIOS revision AA.05.02, the following feature has been added to the HP Vectra 486/VL:

- * Support of CGA/EGA/Hercules monochrome add-on video cards

HP Vectra 486VL PCs with serial numbers listed above don't work with CGA/EGA/Hercules monochrome add-on video cards.

New version of replacement and exchange parts are shipped with AA.05.02 BIOS.

BIOS And System Board Identification Procedure

The BIOS revision level appears in the system configuration screen each time the Vectra 486/VL is powered on.

Service Inventory

D3021-69001 and D3025-69001 can be use-till-gone as it is expected that a very low percentage of Vectra 486/VL is used with add-on monochrome cards.

WARNING: Use of the newer D3021-69002 or D3025-69002 is mandatory when the customer configuration includes a monochrome CGA/ EGA/Hercules add-on board.

Limitation of Warranty

Extended warranty is granted to customers that install a monochrome CGA/EGA/Hercules add-on card on an HP Vectra 486/VL having an AA.05.00 revision of BIOS in the serial number range defined in this service note.

The warranty location corresponds to the normal PC warranty conditions :

first year after purchase is on-site
beyond first year until January '96 is return to HP.

**Service Note: D3001A-01A D3002A-01A D3003A-01A D3003B-01A D3085A-01A
D3086A-01A D3087A-01A D3091A-01A D3092A-01A D3094A-01A D3175A-01A
D3176A-01A D3177A-01A D3178A-01A**

**HP Vectra XP/60 Personal Computers
D3001A D3002A D3003A D3003B**

**HP Vectra XU/90 Personal Computers
D3085A D3086A D3087A D3091A D3092A D3094A**

**HP Vectra VL2 5/60 Personal Computers
D3175A D3176A D3177A D3178A**

SUPERSEDES:
D3001A-01 D3002A-01
D3003A-01 D3003B-01
D3085A-01 D3086A-01
D3087A-01 D3091A-01
D3092A-01 D3094A-01
D3175A-01 D3176A-01
D3177A-01 D3178A-01

Product Serial Numbers:

- All above listed PC models with Dxxxx-60x01 part numbers.

Parts affected:

Intel Pentium 60 and Pentium 90 processors, early stepping versions.

Symptoms:

Loss of precision for floating point operations:

The first stepping levels of the Intel Pentium 60 and Pentium 90 processors demonstrate a loss of precision for floating point divisions on certain operand pairs. Most PC applications are not affected.

DATE: 15 March 1995

ADMINISTRATIVE INFORMATION

Service note classification:

MODIFICATION RECOMMENDED

| | | | | |
|--------------------|---|-------------------------|---|---|
| Action category: | <ul style="list-style-type: none">• immediately• on specified failure• agreeable time | Standards: | | Labor: 0.5 hours |
| Location category: | <ul style="list-style-type: none">• customer installable• on-site• HP location | Service inventory | <ul style="list-style-type: none">• return• scrap• see text | Used parts: <ul style="list-style-type: none">• return• scrap• see text |
| Availability: | Product's support life, from Intel | Responsible entity: | 6300 | Until: February 1996 |
| Author: MB | Entity: 6300 | Additional information: | | |

Problem Description:

The first stepping levels of the Intel Pentium processors show a loss of precision for floating point divides on a few specific operand pairs. Due to the rarity of these operand pairs, and the fact that the loss of precision only starts from the fourth place after the decimal point, most PC applications are not affected.

Problem fix:

Intel has released new steppings of the Pentium that do not have the problem, and has set up a replacement program. HP customers who want the new steppings of the chip will have to call Intel hot lines and request a replacement chip. Intel hot lines can be contacted at these phone numbers:

| | |
|----------------|--------------------------|
| United States | 1-800-628-8686 |
| France | 05 90 81 79 |
| Germany | 0130 818921 |
| Netherlands | 0602 24939 |
| Italy | 1670 10475 |
| Spain | (91) 3082552 |
| UK | 01 793 696 776 |
| Rest of Europe | 44 1 793 696 776 |
| Australia | +61-2-975-3300 |
| Singapore | +65-735-3811 |
| Hong Kong | 852-844--4555 |
| Taiwan | 886-2-514-4200 |
| India | 91-80-2215065 |
| PRC | 86-1-505-0386 |
| Japan | 0120-868686, 298-47-1841 |
| Rest of World | 1-916-356-3551 |

A few customers are requesting on-site replacement. For these customers, HP will pay for CE labor and Travel under conditions stated below:

- * Many customers will have to wait up to 60 days
- * Escalations and hot-lines are not accepted
- * Internal HP customers are requested not to place orders until July 1995.

Note for service inventory: It is critical that the field support organization return the defective chip back to SMO in the prepaid mailer, in order for HP to be reimbursed by Intel.

**Service Note: D3186A-02 D3187A-02 D3188A-02 D3189A-02 D3141A-02 D3142A02
D3143A-02 D3144A-02 D3145A-02 D3146A-02 D3180A-02 D3370A-02 D3371A-02
D3372A-02 D3145B-02 D3146B-02 D3181A-02 D3148A-02 D3149A-02 D3376A-02
D3377A-02 D3151A-02 D3152A-02 D3153A-02 D3182A-02 D3380A-02 D3381A-02
D3382A-02 D3158A-02 D3159A-02 D3157A-02 D3159B-02 D3157B-02 D3183A-02
D3044A-02 D3161A-02 D3162A-02 D3386A-02 D3387A-02 D3046A-02 D3047A-02
D3185A-01 D3388A-01 D3389A-01**

HP Vectra N2 and M2 Personal Computers:

SUPERSEDES: None

D3186A D3187A D3188A D3189A D3141A D3142A D3143A D3144A D3145A D3146A
D3180A D3370A D3371A D3372A D3145B D3146B D3181A D3148A D3149A D3376A
D3377A D3151A D3152A D3135A D3182A D3380A D3381A D3382A D3158A D3159A
D3157A D3159B D3157B D3183A D3044A D3161A D3162A D3386A D3387A D3046A
D3047A D3185A D3388A D3389A

Product Serial Numbers:

- Lower than 3450A, or 3450S, or 3450Y, or 3502F

Parts affected:

Battery life limited.

Symptoms:

The clock operates too slowly or date and time are lost. Impact limited to this. (System configuration is **not** lost).

DATE: 6 February 1995

ADMINISTRATIVE INFORMATION

Service note classification:

MODIFICATION RECOMMENDED

Action category:

- immediately
- on failure
- agreeable time

Billing to responsible division:
1 travel charge per site of up to 30 units.
10 minutes labor per updated unit.
1 CSO per updated unit.

Location category:

- customer installable
- on-site
- HP location

Service inventory:

- return
- scrap
- see text

 Used parts:

- return
- scrap
- see text

Availability: Support life of product

Responsible entity: 6300 Until: January 1996

Author: UB Entity: 6300

Additional information:

Problem Description

The on-board coin battery life will be shorter than expected in units in the listed serial number range if they are switched off for more than 14 hours per day. Problem will not manifest on units which are switched on 24 hours per day. Units on which the pre-loaded power management tools are activated will be affected less.

Problem Reason

The power requirement of the real-time clock component is too high for the capacity of the on-board battery.

Problem Fix

If the battery is dead, replace the on-board coin battery with a BR 2335 coin battery AND an external long-life battery. This will ensure a satisfactory battery life. Order the following parts:

P/N 1420-0513 4.5V long life external battery

and

P/N 1420-535 BR2335 coin battery.

You must make the exchange in the following order or the clock will operate too quickly:

1. take out the old coin battery
2. put in the new coin battery
3. install external long-life battery.

Changing the system board will not solve the problem.

All units with serial number prefixes equal to, or greater than 3450, have been reworked so that the battery life will be normal.

When one unit has failed, the same modification should be made to other units on the same site which have the same serial number range.

No preventive action is required on customer sites where no unit has failed.

**Service Note: D3186A-03 D3187A-03 D3188A-03 D3189A-03 D3141A-03
D3142A-03 D3143A-03 D3180A-03 D3370A-03 D3371A-03 D3372A-03 D3144A-03
D3145A-03 D3146A-03 D3145B-03 D3146B-03 D3181A-03 D3148A-03 D3149A-03
D3376A-03 D3377A-03**

HP Vectra N2 Personal Computers

SUPERSEDES: None

**D3186A D3187A D3188A D3189A D3141A D3142A D3143A D3180A D3370A D3371A
D3372A D3144A D3145A D3146A D3145B D3146B D3181A D3148A D3149A D3376A
D3377A**

Product Serial Numbers:

- All serial numbers greater than 3501 and less than 3507.

Parts affected:

3 V coin battery on system board (life time shorter than expected).

Symptoms:

Clock operates too slowly or loss of date and time.

DATE: 15 March 1995

ADMINISTRATIVE INFORMATION

Service note classification:

MODIFICATION RECOMMENDED

| | | | | | |
|--------------------|---|--|---|-------------|---|
| Action category: | <ul style="list-style-type: none">• immediately• on specified failure• agreeable time | Billing to responsible division: 1 travel charge per site of up to 30 units. 10 minutes labor per updated unit. 1 CSO per updated unit. | | | |
| Location category: | <ul style="list-style-type: none">• customer installable• on-site• HP location | Service inventory | <ul style="list-style-type: none">• return• scrap• see text | Used parts: | <ul style="list-style-type: none">• return• scrap• see text |
| Availability: | Product's support life | Responsible entity: | 6300 | Until: | March 1998 |
| Author: UB | Entity: 6300 | Additional information: | | | |

Problem Description:

On units in the listed serial number range, the on-board 3 V coin battery life time will be shorter than expected because the power consumption of the real time clock component is too high for the battery. The problem will not show up on units which are always powered-on, or on units which have the preloaded power management tools activated.

Problem fix:

Replace the battery. You cannot put in a new coin battery and an external battery as described in service note D3168A-02, as it is not possible to use an external battery.

Note for service inventory:

Use the BR2335 coin battery, part number 1420-0535.

Service Note: D3210A-04 D3211A-04 D3212A-04 D3213A-04 D3220A-04 D3221A-04 D3221B-04 D3222A-04 D3222B-04 D3224A-04 D3224B-04 D3230A-04 D3231A-04 D3231B-04 D3232A-04 D3232B-04 D3233A-04 D3233B-04

HP Vectra XM2 Personal Computers

SUPERSEDES: None

**D3210A D3211A D3212A D3213A D3220A D3221A D3221B
D3222A D3222B D3224A D3224B D3230A D3231A D3231B
D3232A D3232B D3233A D3233B**

Product Date Codes:

- 3507, 3508, 3509.

Parts affected:

1MB video upgrade accessory (D3241A) for the XM2 causing corrupted video problems.

Symptoms:

Video corruption immediately when upgrade accessory is installed (display looks as if using an unsuitable video driver).

DATE: 11 April 1995

ADMINISTRATIVE INFORMATION

Service note classification:

MODIFICATION RECOMMENDED

| | | | | | |
|--------------------|---|-------------------------|--|-------------|---|
| Action category: | <ul style="list-style-type: none">• immediately• on specified failure• agreeable time | Standards: | Part: 5063-5710 Veido Simm Only Labor: 0.2 hours (average time for exceptional cases as customers have to conform to the standard Return-to-HP accessory Warranty, and not call for a CE on-site. | | |
| Location category: | <ul style="list-style-type: none">• customer installable• on-site• HP location | Service inventory | <ul style="list-style-type: none">• none | Used parts: | <ul style="list-style-type: none">• return• scrap• see text |
| Availability: | Product's support life | Responsible entity: | 6300 | Until: | 1 May 1998 |
| Author: CTE | Entity: 6300 | Additional information: | | | |

Problem Description:

Corrupted display at power on following installation of upgrade accessory HP D3241A. Some D3241A accessories have been loaded with the wrong memory chips.

This only applies to accessories purchased after February 15th,1995.

Before changing the CPU board, make sure that the video problem is not caused by a faulty DRAM in the video upgrade SIMM accessory. To identify a defective video upgrade SIMM accessory, look for the date-code on the label of the accessory packaging. The code is below the HP Part Number. The date codes are either 34xx or 35xx. Codes 34xx are not affected.

Codes 3507, 3508 and 3509 are suspect. Codes 3510, 3511 and higher are not affected.

Or, if the accessory packaging has been discarded, peel off the paper label on the DRAM chip. Codes MT4C16270DJ-7 is good, but **MT4C16257DJ-6 is faulty.**

Problem fix:

Replace accessory with Part Number 5063-5710. If you do not have a replacement accessory, as a temporary solution, you can remove the defective accessory and work can be continued with the standard on-board 1MB video memory.

Only change the video upgrade SIMM accessory. Do not change the CPU board.

If you observe this failure while on site with a customer, you should also check any other XM2 platforms in which the customer has installed additional video memory so that you can change all suspect video memory SIMM accessories at one time.

IMPORTANT No XM2 was sold with this accessory bundled, therefore you need only check XM2 platforms in which the customer has installed additional video memory.

Service Note: D3221A-03 D3222A-03 D3224A-03 D3232A-03 D3233A-03

HP Vectra XM2 Personal Computers
D3221A D3222A D3224A D3232A D3233A

SUPERSEDES: None

Product Serial Numbers:

- 3446F50481/3446F62343 if BIOS revision is GD.05.14

Parts affected:

System BIOS, release GD.05.14.

Symptoms:

The PC boots, but the display screen remains blank.

DATE: 27 January 1995

ADMINISTRATIVE INFORMATION

Service note classification:

INFORMATION ONLY

Author: BP Entity: 6300

Additional information:

Problem Description:

Approximately 325 Vectra XM2 PCs were shipped with the previous (not the latest) release of software. The BIOS (GD.05.14) does not support the new video RamDac on the system board. Only European shipments are affected.

Problem fix:

Reflash the machine with the latest BIOS release. To do this when the display is not operating, create a bootable diskette with the latest BIOS release and the *hpinit.exe* utility. Modify the diskette's autoexec.bat file by adding the following statement:

HPINIT/M

Booting from this diskette will then reflash the machine automatically.

Do not change the system board.

Service Note: D3186A-03 D3187A-03 D3188A-03 D3189A-03 D3141A-03 D3142A-03 D3143A-03 D3144A-03 D3145A-03 D3146A-03 D3180A-03 D3370A-03 D3371A-03 D3372A-03 D3148A-03 D3149A-03 D3376A-03 D3377A-03

HP Vectra N2 Personal Computers:
D3186A D3187A D3188A D3189A D3141A
D3142A D3143A D3144A D3145A D3146A
D3180A D3370A D3371A D3372A D3148A
D3149A D3376A D3377A

SUPERSEDES: None

Product Serial Numbers:

- Lower than 3450A, or 3450S, or 3450Y, or 3502F

Parts affected:

Battery life limited.

Symptoms:

The clock operates too slowly or date and time are lost. Impact limited to this. (System configuration is not lost)

DATE: 6 February 1995

ADMINISTRATIVE INFORMATION

Service note classification:

MODIFICATION RECOMMENDED

Action category:

- immediately
- on failure
- agreeable time

Billing to responsible division:
1 travel charge per site of up to 30 units.
10 minutes labor per updated unit.
1 CSO per updated unit.

Location category:

- customer installable
- on-site
- HP location

Service inventory:

- return
- scrap
- see text

Used parts:

- return
- scrap
- see text

Availability: Support life of product

Responsible entity: 6300
Until: January 1996

Author: UB Entity: 6300

Additional information:

Problem Description

The on-board coin battery life will be shorter than expected in units in the listed serial number range if they are switched off for more than 14 hours per day. Problem will not manifest on units which are switched on 24 hours per day. Units on which the pre-loaded power management tools are activated will be affected less.

Problem Reason

The power requirement of the real-time clock component is too high for the capacity of the on-board battery.

Problem Fix

If the battery is dead, replace the on-board coin battery with a BR 2335 coin battery AND an external long-life battery. This will ensure a satisfactory battery life. Order the following parts:

P/N 1420-0513 4.5V long life external battery

and

P/N 1420-535 BR2335 coin battery.

You must make the exchange in the following order or the clock will operate too quickly:

1. take out the old coin battery
2. put in the new coin battery
3. install external long-life battery.

Changing the system board will not solve the problem.

All units with serial number prefixes equal to, or greater than 3450, have been reworked so that the battery life will be normal.

When one unit has failed, the same modification should be made to other units on the same site which have the same serial number range.

No preventive action is required on customer sites where no unit has failed.

VECTRA 486T TROUBLESHOOTING

The following table lists some common workarounds for the Vectra 486T PCs:

| <u>Symptom(s)</u> | <u>Problem</u> | <u>Workaround (fix)</u> |
|---|--------------------------------|---|
| Memory Parity Error | Samsung memory modules | Replace Samsung memory modules with HP qualified modules (i.e. Toshiba) |
| Configuration: <ul style="list-style-type: none">• ISA Master Board i.e. HP 1540 or CMS equivalent• Samsung memory modules | No evidence of Data corruption | Make sure that the memory modules are 80ns types |
| System does not boot from SCSI disk driveSystem does not recognize boards in lower numbered slots Failures occur in boards in lower numbered slots (slots 1, 2, & 3) Configuration: <ul style="list-style-type: none">• Out-of-spec EISA boards in upper slots (slots 6, 7, or 8) | EISA Bus Loading | Install all EISA boards starting from the lower numbered slots, working up, installing ISA boards last. Put the HP 1740 Board(s) in the lowest slot (slots 1 or 2) Avoid placing EISA boards in upper slots (i.e. slots 7 & 8) Slots 3 & 5 cannot be used for EISA bus Master Boards |
| Intermittent Hard Disk Errors (i.e. 83xx errors) | Current Back-flow drains CMOS | Connect external device into the system's built-in parallel ports |

Configuration:

- ESDI Controller or S/P board
- Laserjet or externally powered mass storage device

Any externally powered device (such as Laserjet) that is connected to the system through:

- Extra parallel port (HP 2454A board)
- Other interface board connected to the backplane

Power-up system first, before external device(s)

Power-down peripheral if system is being powered off for an extended period

NOTE: HP VECTRA 286/12 PC 800X600 EXTENDED SUPER VGA MODE USERS

1. The new video BIOS version of the Vectra 286/12 PC (version 7.04) includes changes to the vertical refresh rate of the video display. This code is included in the BIOS ROM versions H.03.04 and higher.

In this version, the refresh rate for 800x600 modes is now 60 Hz instead of 56 Hz. This requires displays capable of running a 38 KHz horizontal scan rate.

As a result, some displays may no longer work. A known product having this problem is the NEC 2A monitor.

For users experiencing this incompatibility, when changing the Vectra 286/12 BIOS ROM, two possible solutions may be used:

Keep the old BIOS ROM version (H.03.03) on the system board.

or

Use the previous revision (2.75) of the ALTPARM.COM driver.

The following table will help you understand the problem:

| | <u>BIOS rev H.03.03</u> | <u>BIOS rev H.03.04</u> |
|--------------------------|--|--|
| ALTPARM.COM version 2.75 | Always set to 56 Hz | Use 60 Hz if ALTPARM not loaded Use 56 Hz if ALTPARM loaded |
| ALTPARM.COM version 2.78 | Use 56 Hz if ALTPARM not loaded Use 60 Hz if ALTPARM loaded | Always set to 60 Hz. |

2. A known incompatibility exists between the new video BIOS, contained in ROM BIOS H.03.04 and above, and older revisions of the AUTOCAD super VGA driver. When using the new video BIOS and the old AUTOCAD driver (for AUTOCAD Rel 10 only), some colors may disappear.

The solution to this problem is to use the newer AUTOCAD driver, supporting AUTOCAD Rel 10 and 11. This driver is available on HP internal PCG bulletin boards.