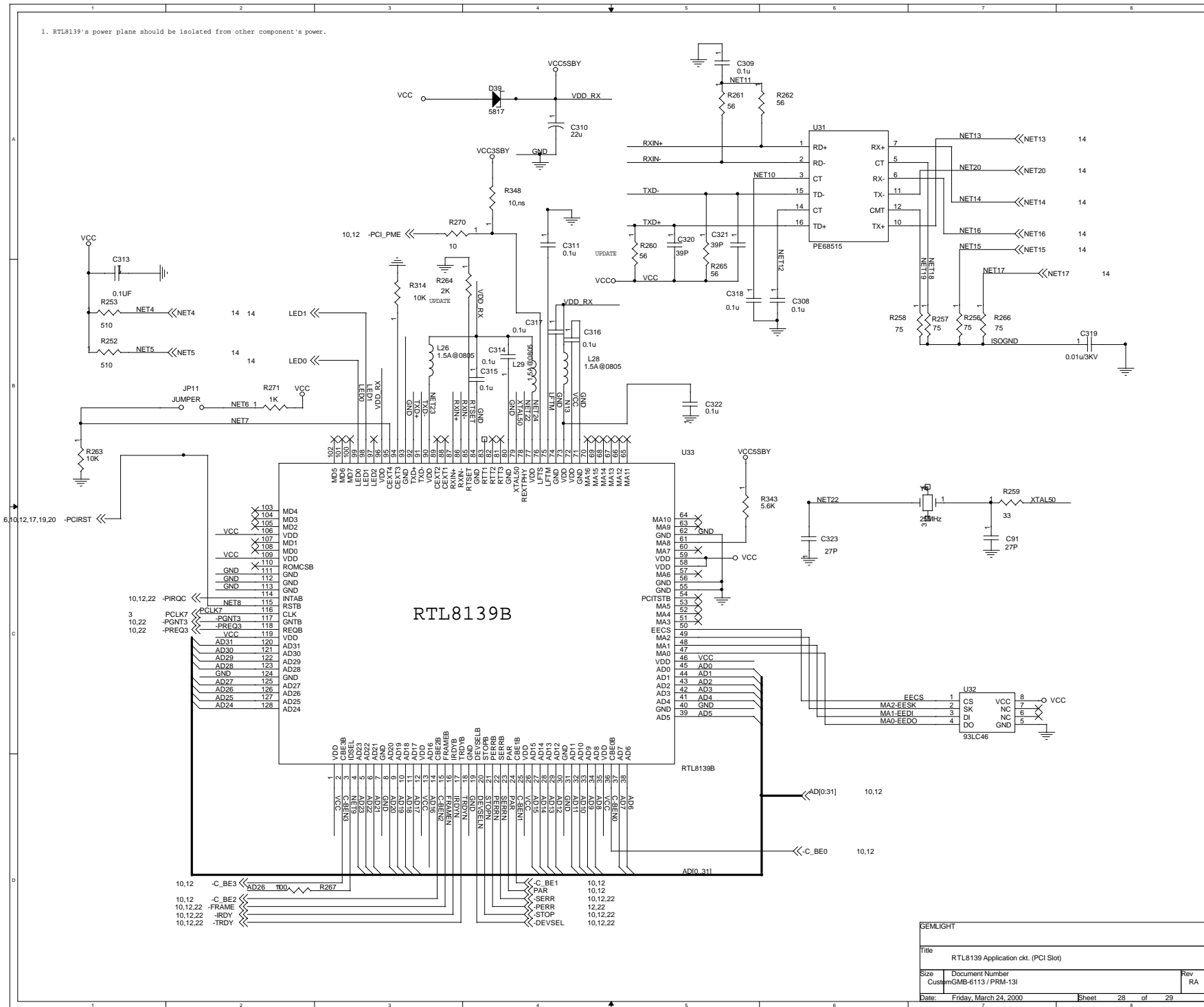
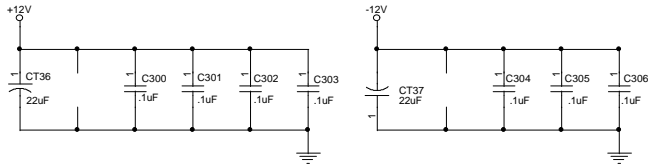
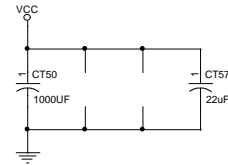
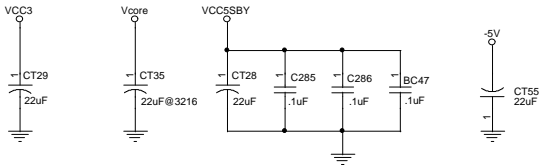
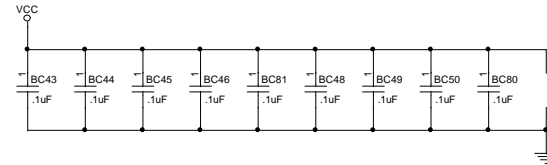
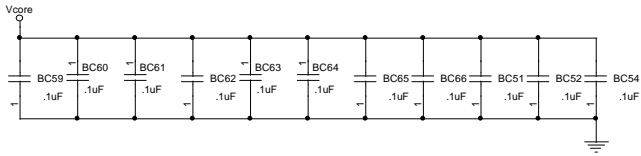
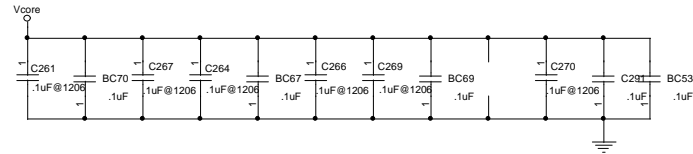
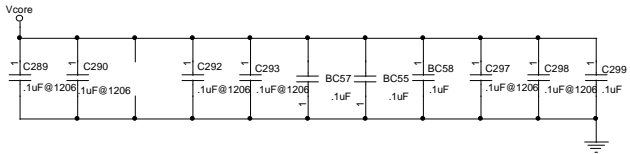
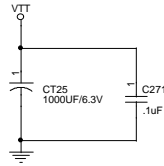
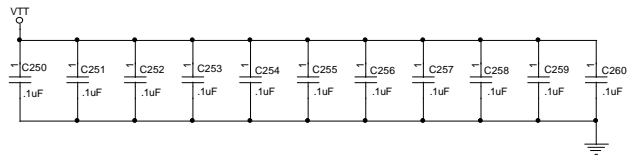


1. RTL8139's power plane should be isolated from other component's power.



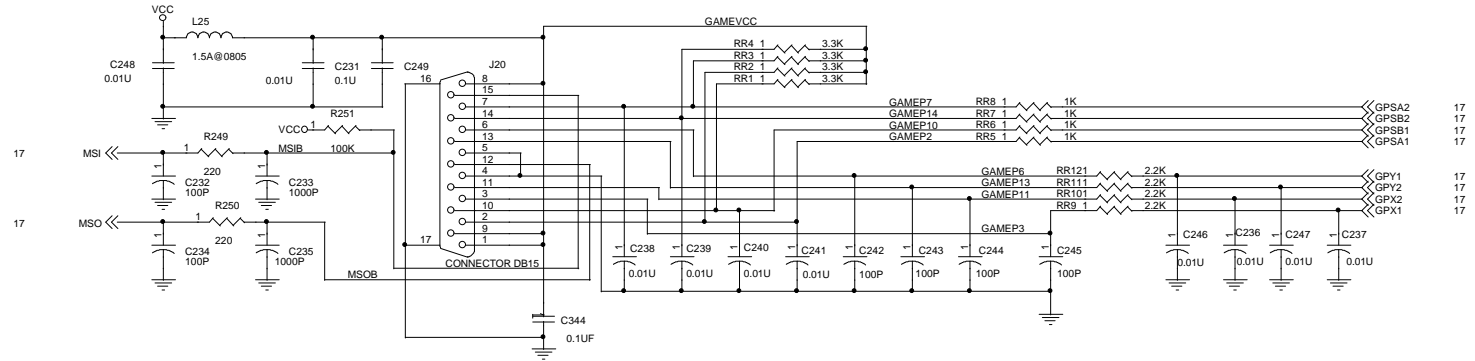
SEMLIGHT	
File RTL8139 Application ckt. (PCI Slot)	
Size Customer: GMB-6113 / PRM-131	Rev RA
Date: Friday, March 24, 2000	Sheet 28 of 29



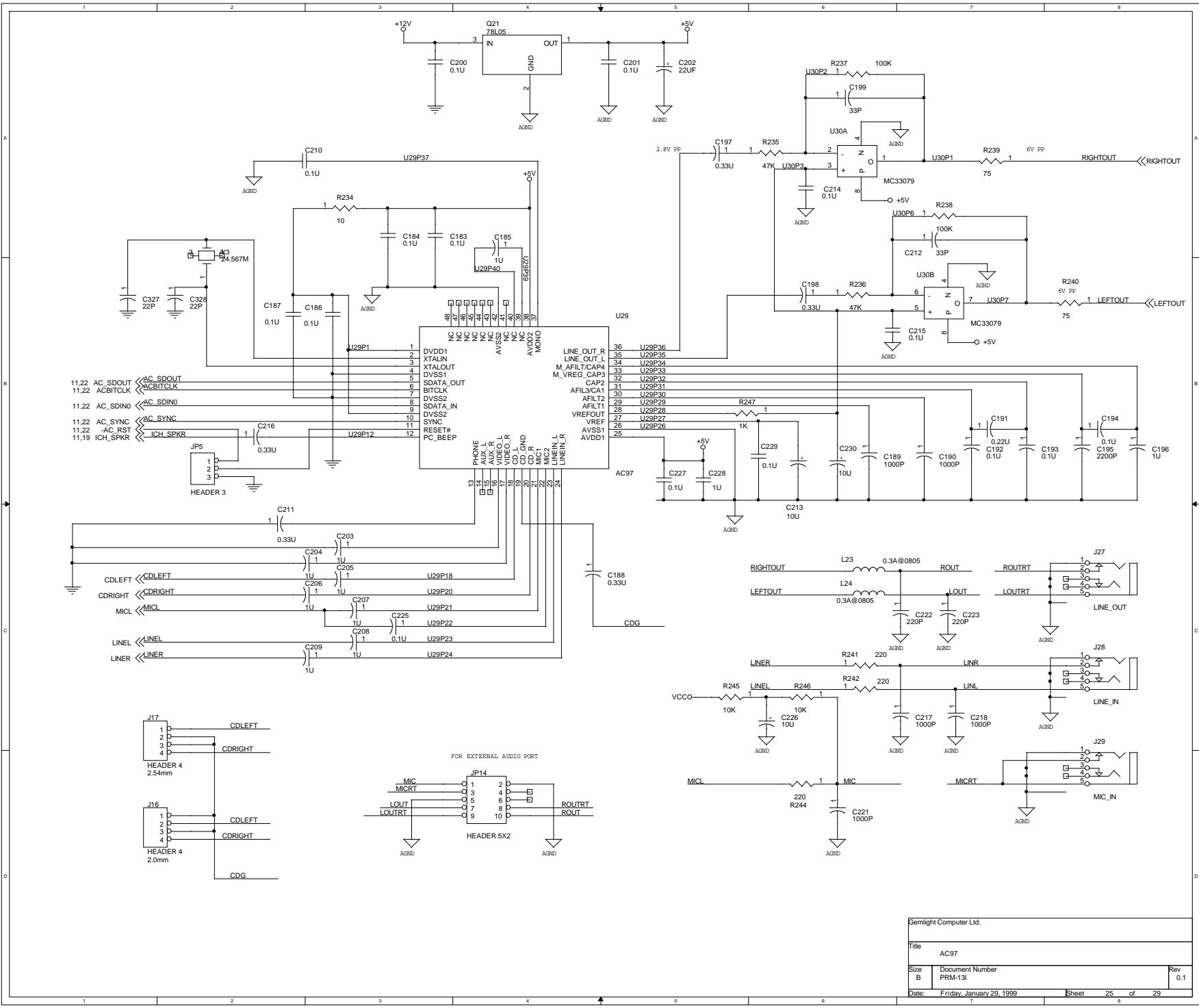
BYPASS CAPACITORS

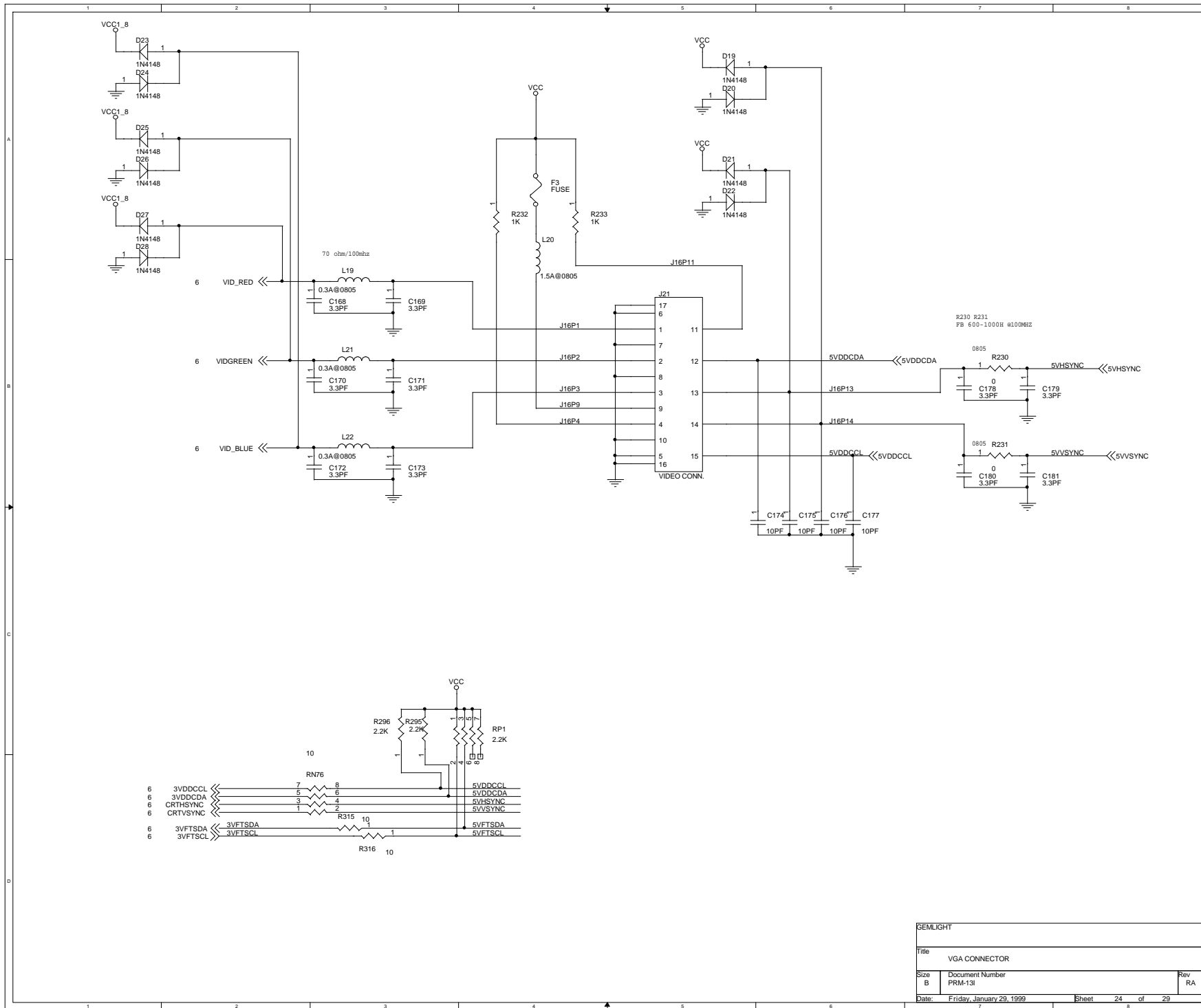
Size B	Document Number PRM-131	Rev RA
Date: Friday, January 29, 1999		Sheet 27 of 29

GAME & MIDI PORT CIRCUIT

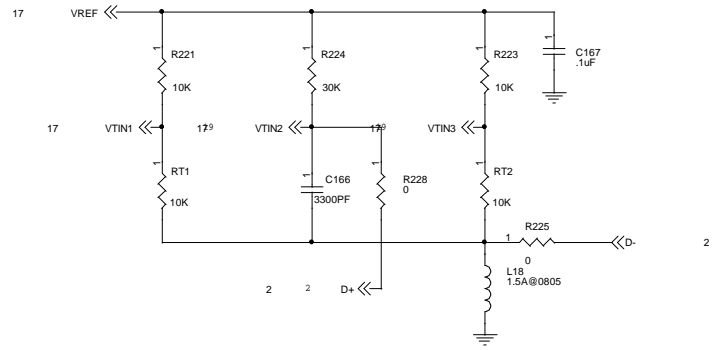
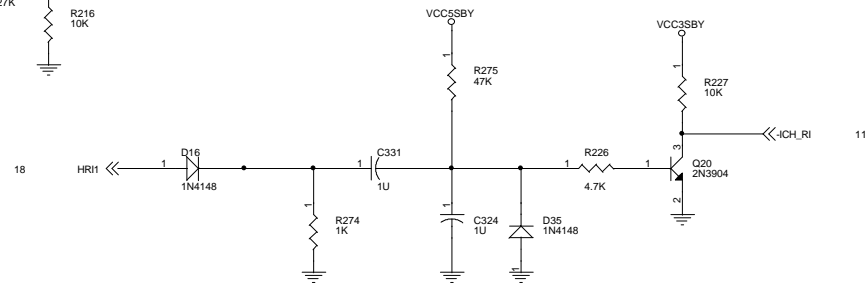
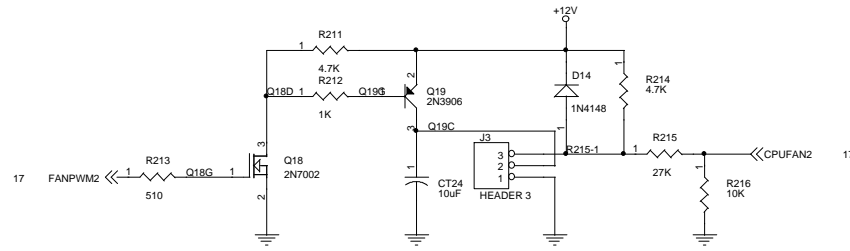
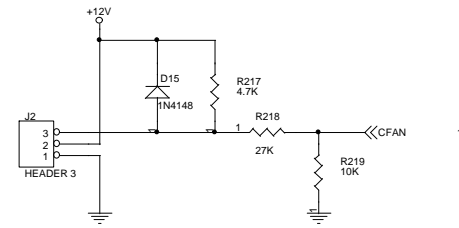
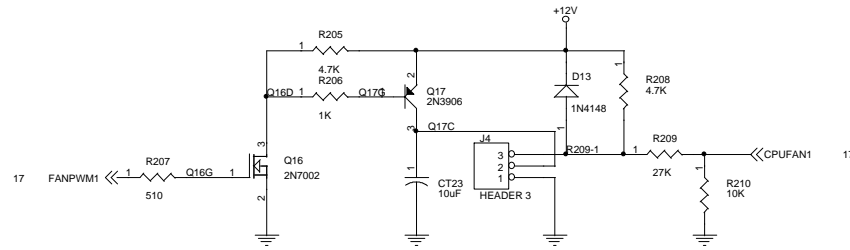


GAME PORT		
Size B	Document Number PRM-131	Rev RA
Date: Friday, January 29, 1999	Sheet 26	of 29



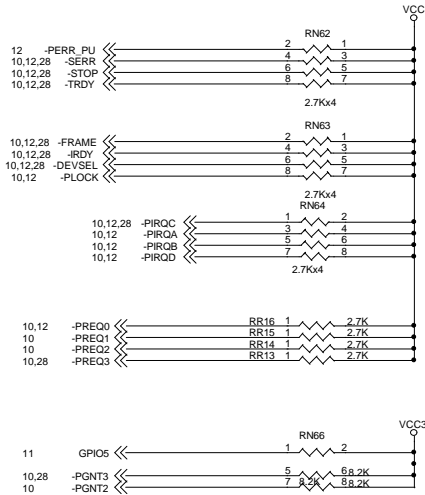


SEMILIGHT		
Title VGA CONNECTOR		
Size B	Document Number PRM-131	Rev RA
Date Friday, January 29, 1999	Sheet 24	of 29

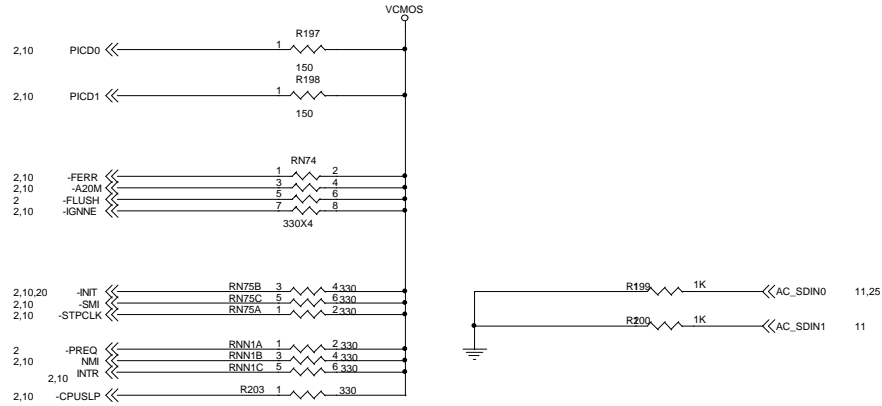


CPUFAN		
Size	Document Number	Rev
B	PRM-131	RA
Date:	Friday, January 29, 1999	Sheet 23 of 29

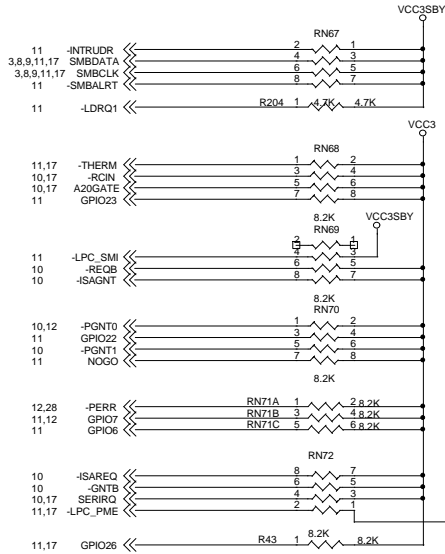
PCI BUS



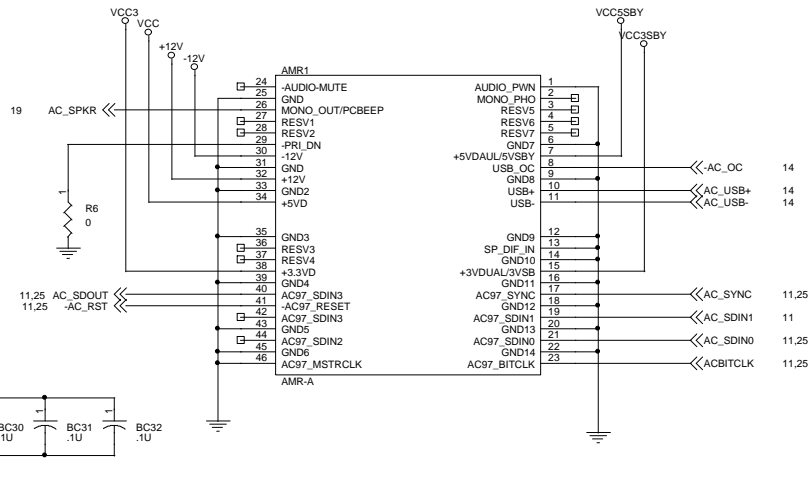
CPU



ICH0



330X4 Change to 150X4

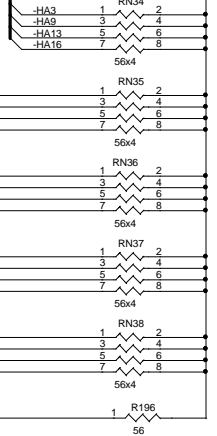
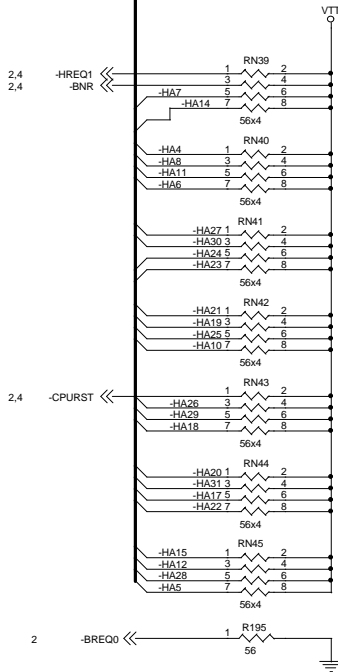
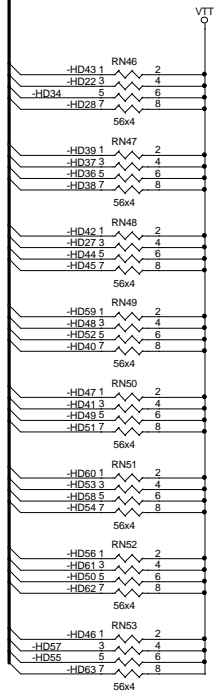
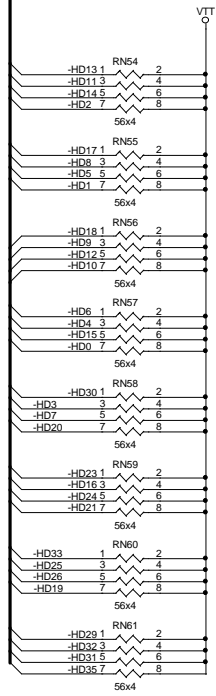


BUS RESISTORS & AMR CONN.

Size	Document Number	Rev
B	PRM-131	RA
Date:	Friday, January 29, 1999	Sheet 22 of 29

2.4 -HA[31..3] << -HA[3..31]

2.4 -HD[0..63] << -HD[0..63]

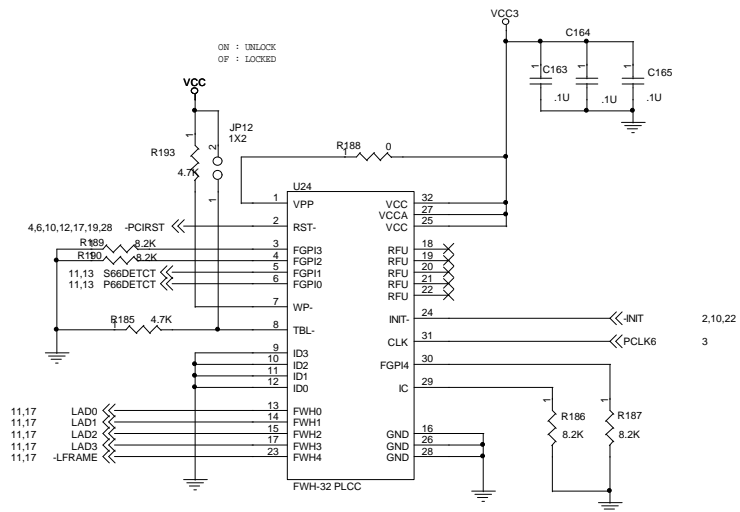


THIS DRAWING CONTAINS INFORMATION WHICH HAS NOT BEEN VERIFIED FOR MANUFACTURING AN END USER PRODUCT. INTEL IS NOT RESPONSIBLE FOR THE MISUSE OF THIS INFORMATION.

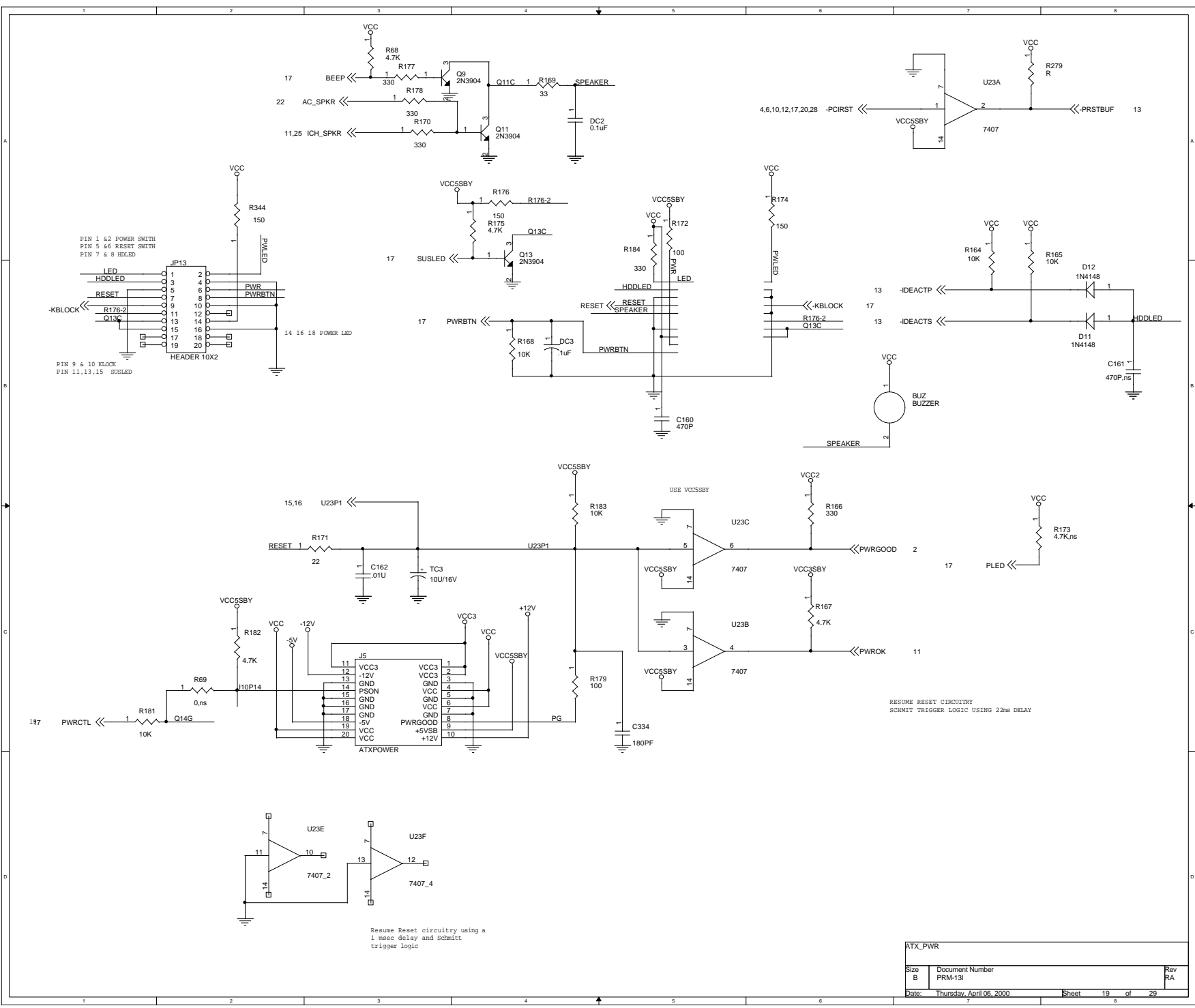
INTEL SECRET
CONFIDENTIAL INFORMATION

GTL TERMINATION

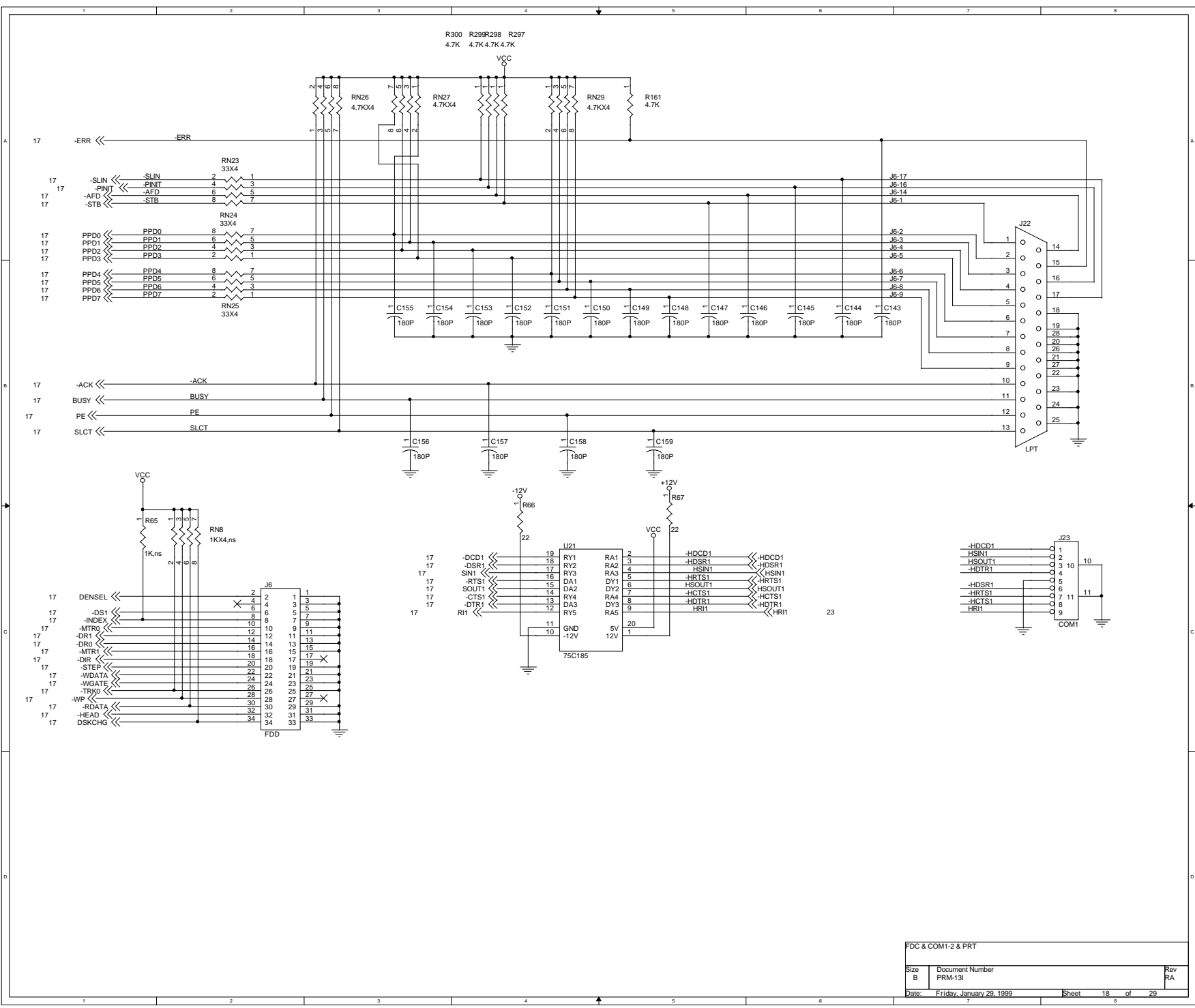
Size	Document Number	Rev
B	PRM-131	RA
Date:	Friday, January 29, 1999	Sheet 21 of 29

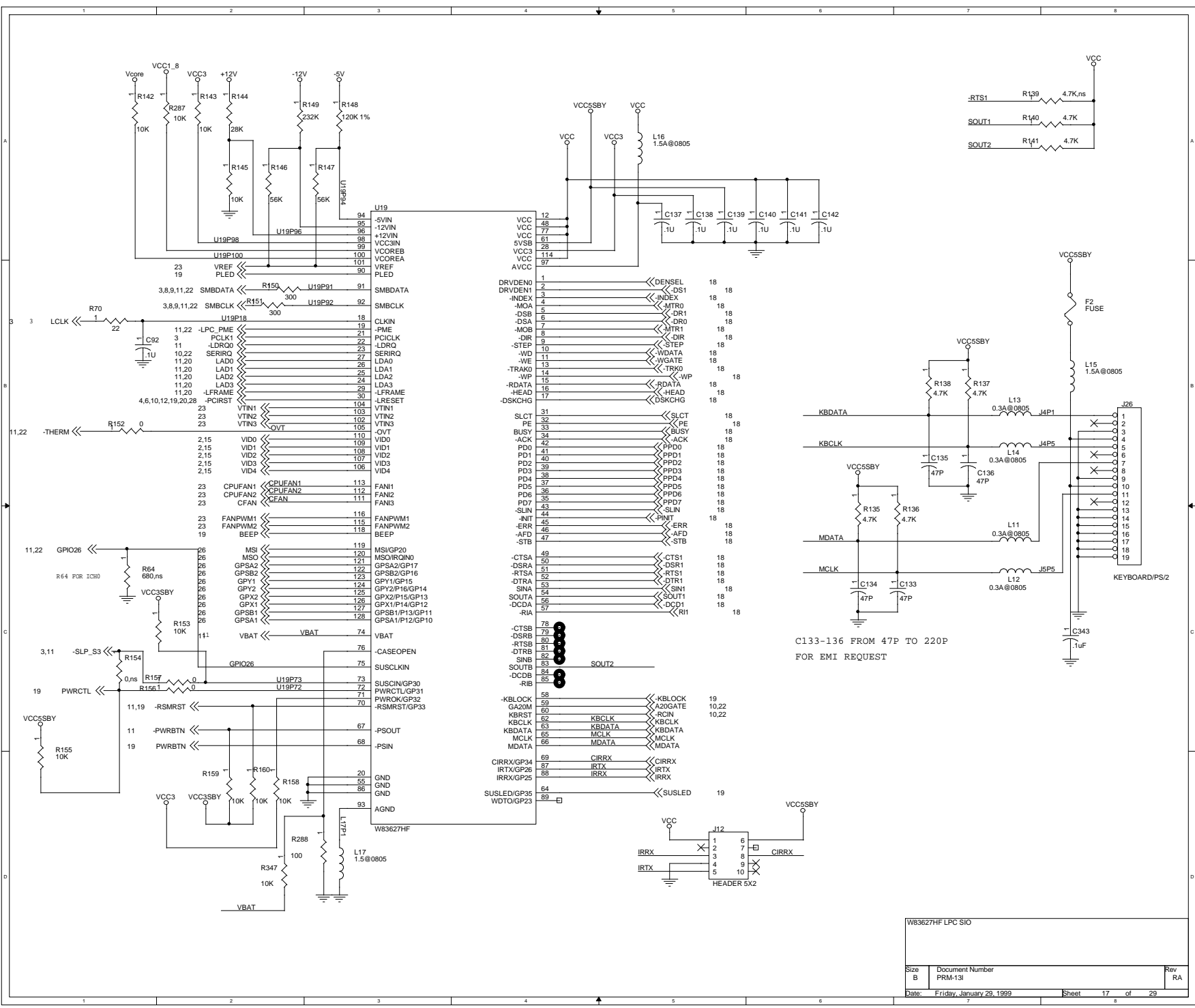


FWH		
Size B	Document Number PRM-131	Rev RA
Date: Friday, January 29, 1999	Sheet 20 of 29	

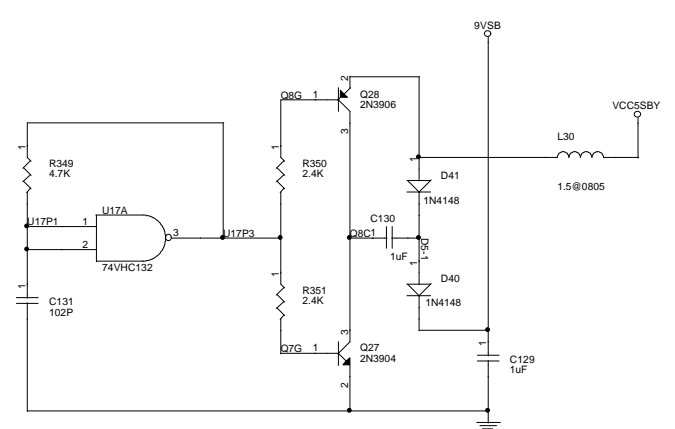
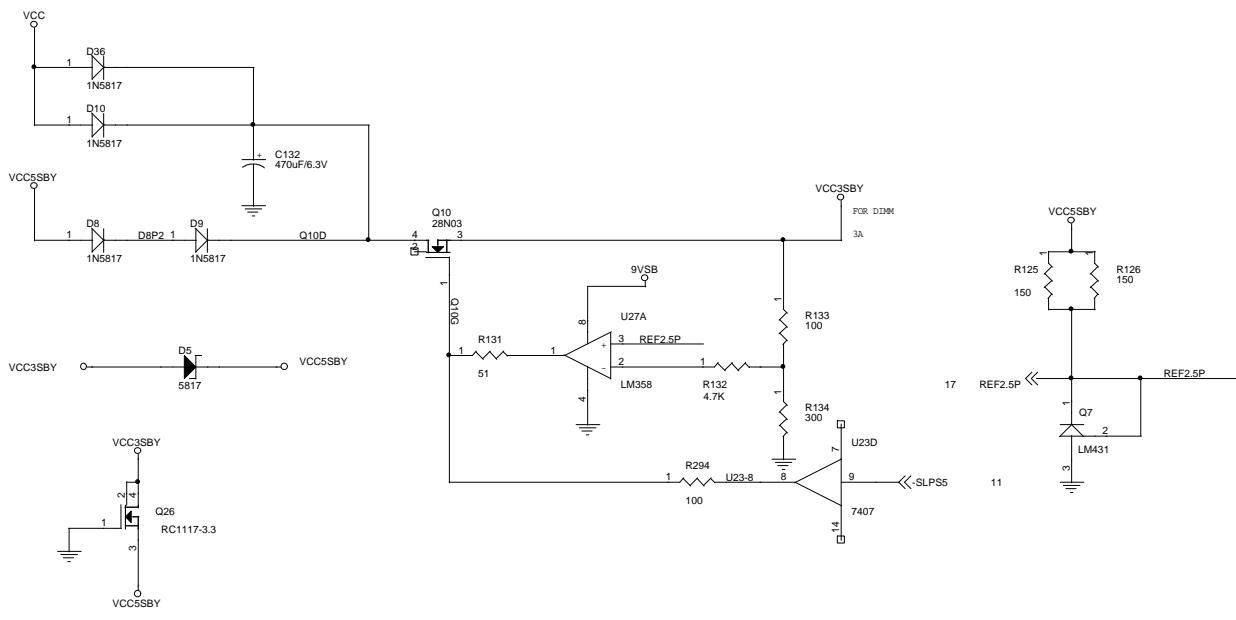


ATX_PWR		
Size B	Document Number PRM-131	Rev RA
Date: Thursday, April 06, 2000	Sheet 19	of 29

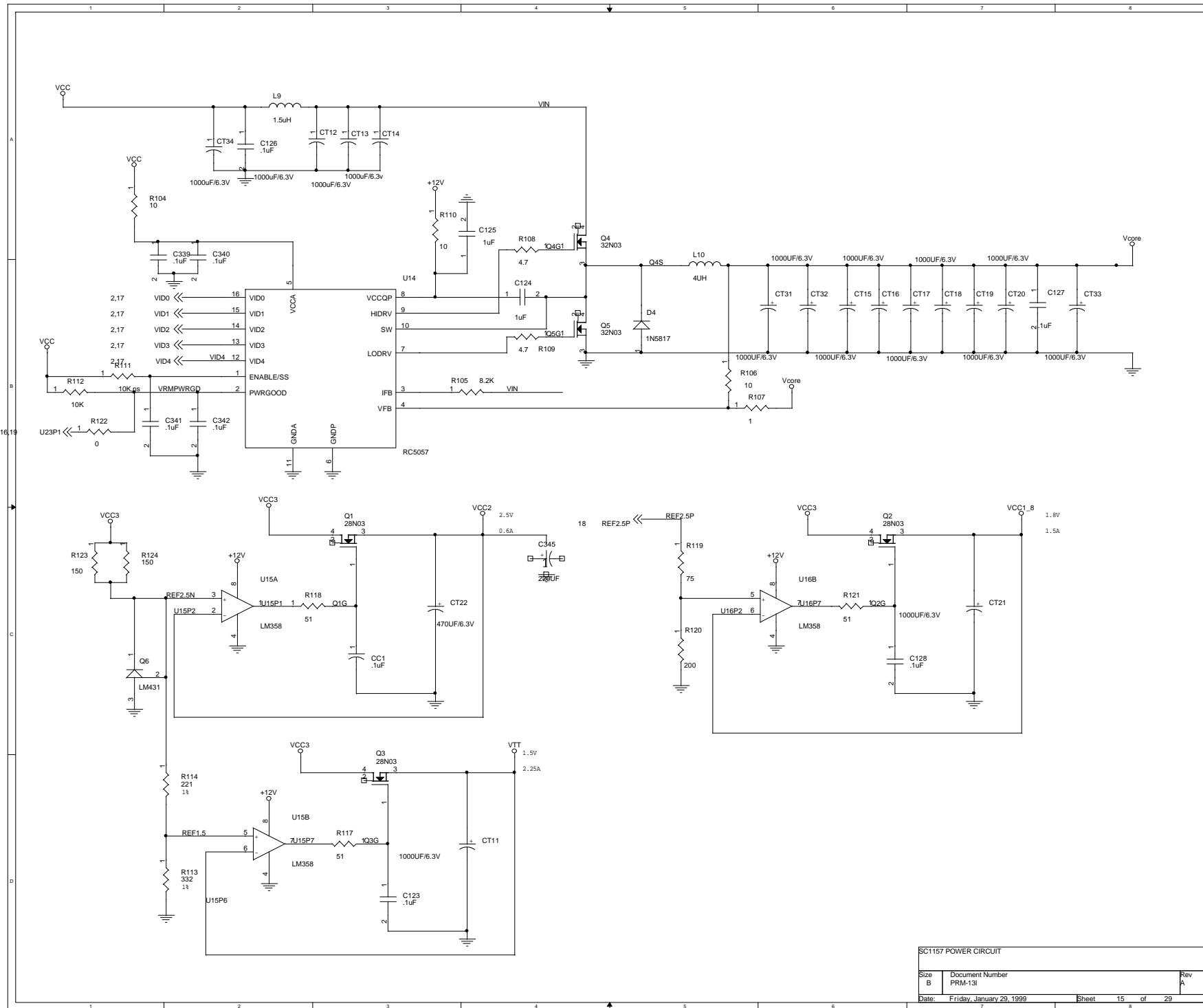


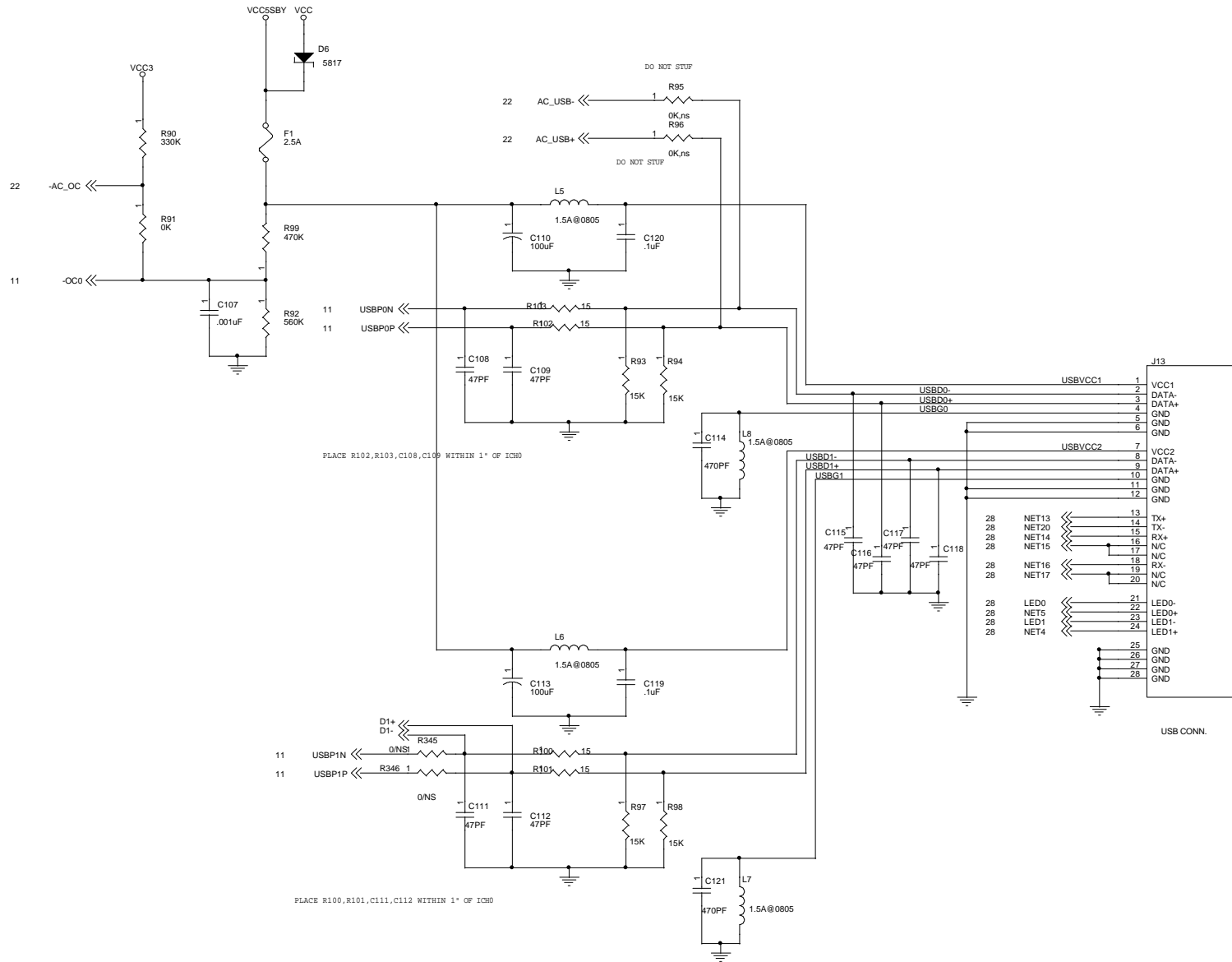


W83627HF LPC SIO		
Size	Document Number	Rev
B	PRM-131	RA
Date:	Friday, January 29, 1999	Sheet 17 of 29

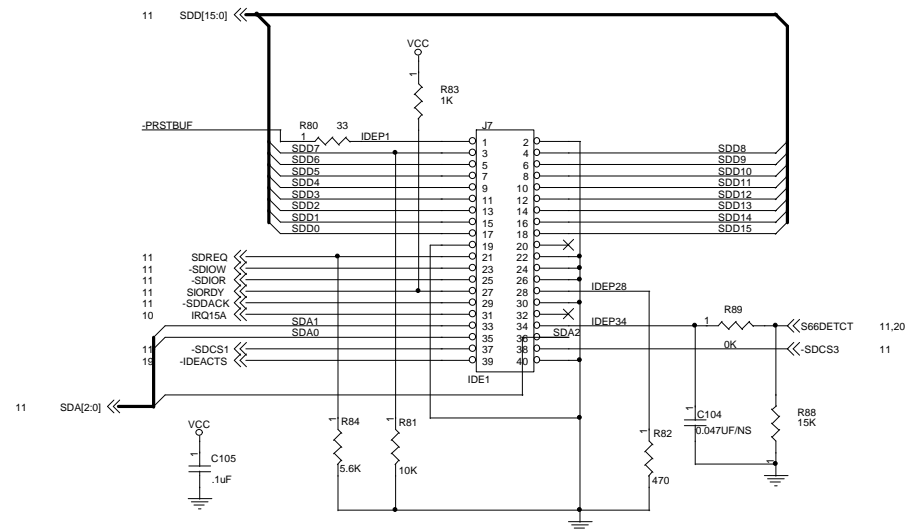
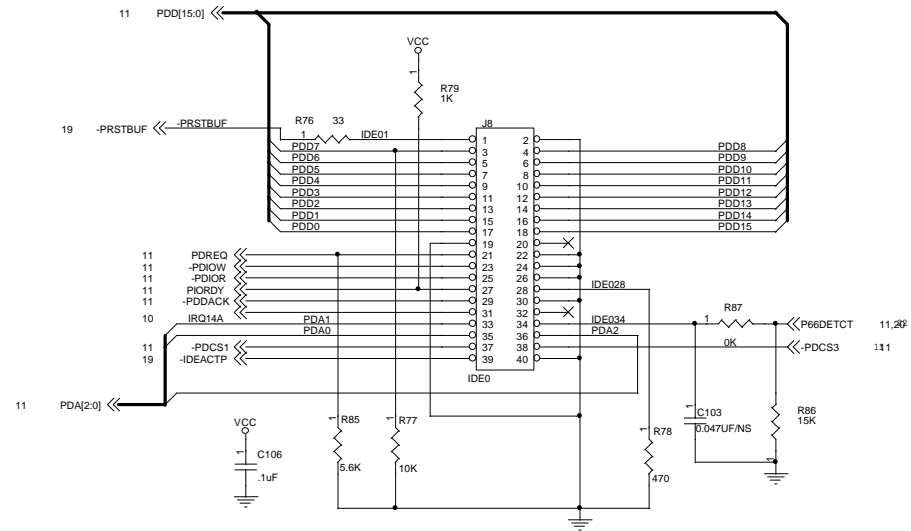


PAC CONTROL SECTION		
Size B	Document Number PRM-131	Rev A
Date: Friday, January 29, 1999	Sheet 16	of 29



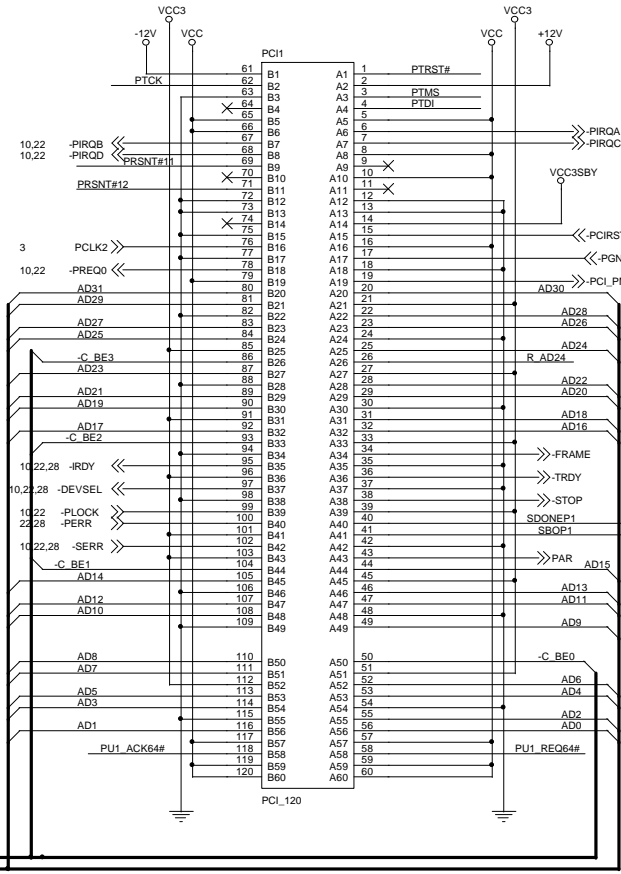
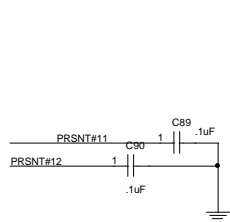


USB CONN.		
Size	Document Number	Rev
B	PRM-131	RA
Date:	Friday, January 29, 1999	Sheet 14 of 29

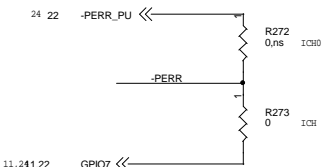
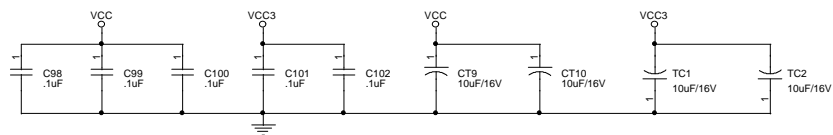
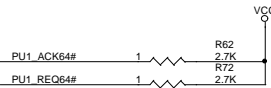
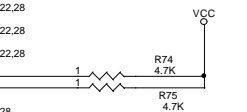
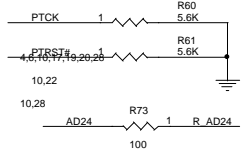
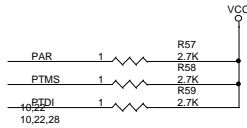


IDE CONNECTORS

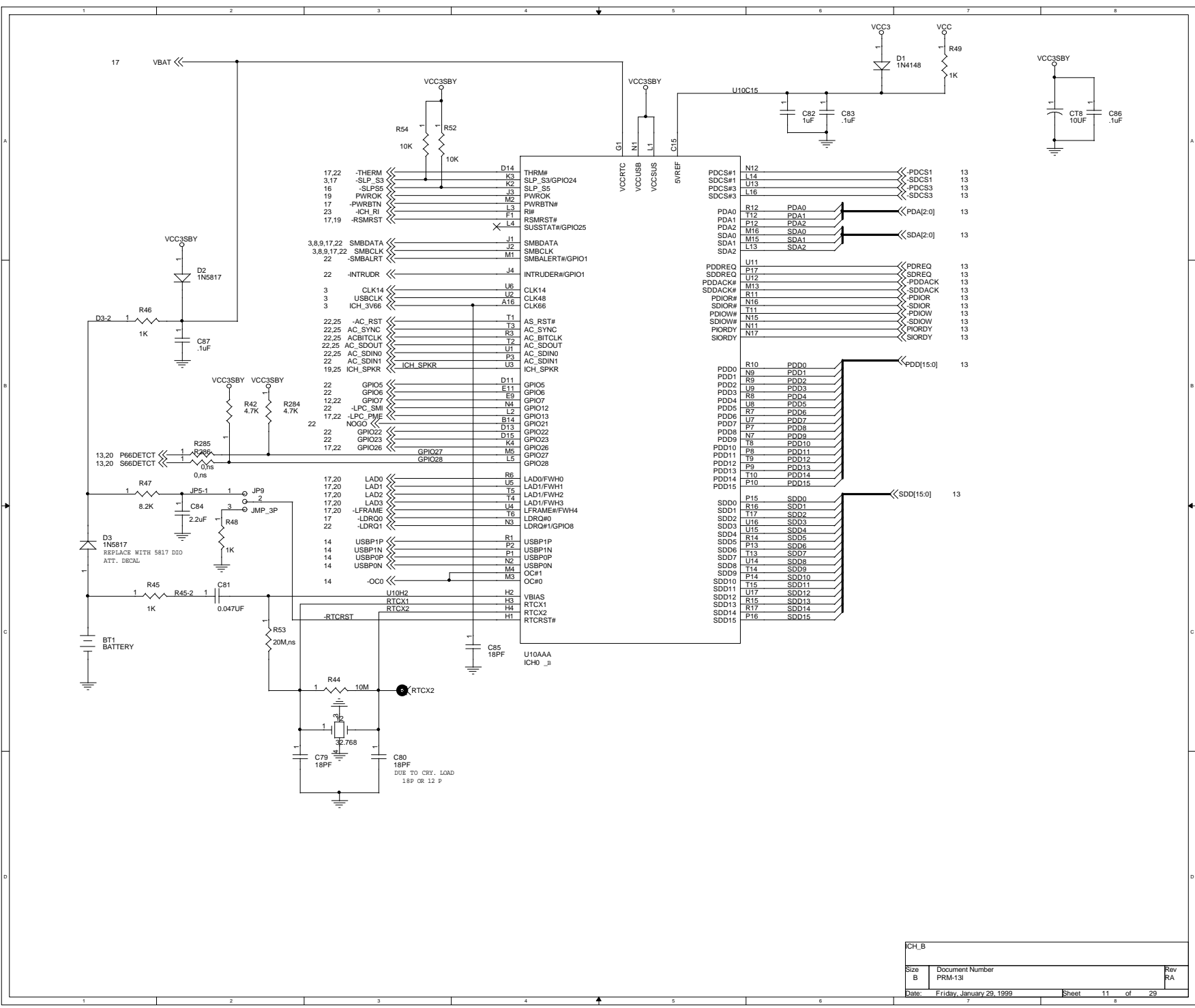
Size B	Document Number PRM-131	Rev RA
Date: Friday, January 29, 1999		Sheet 13 of 29



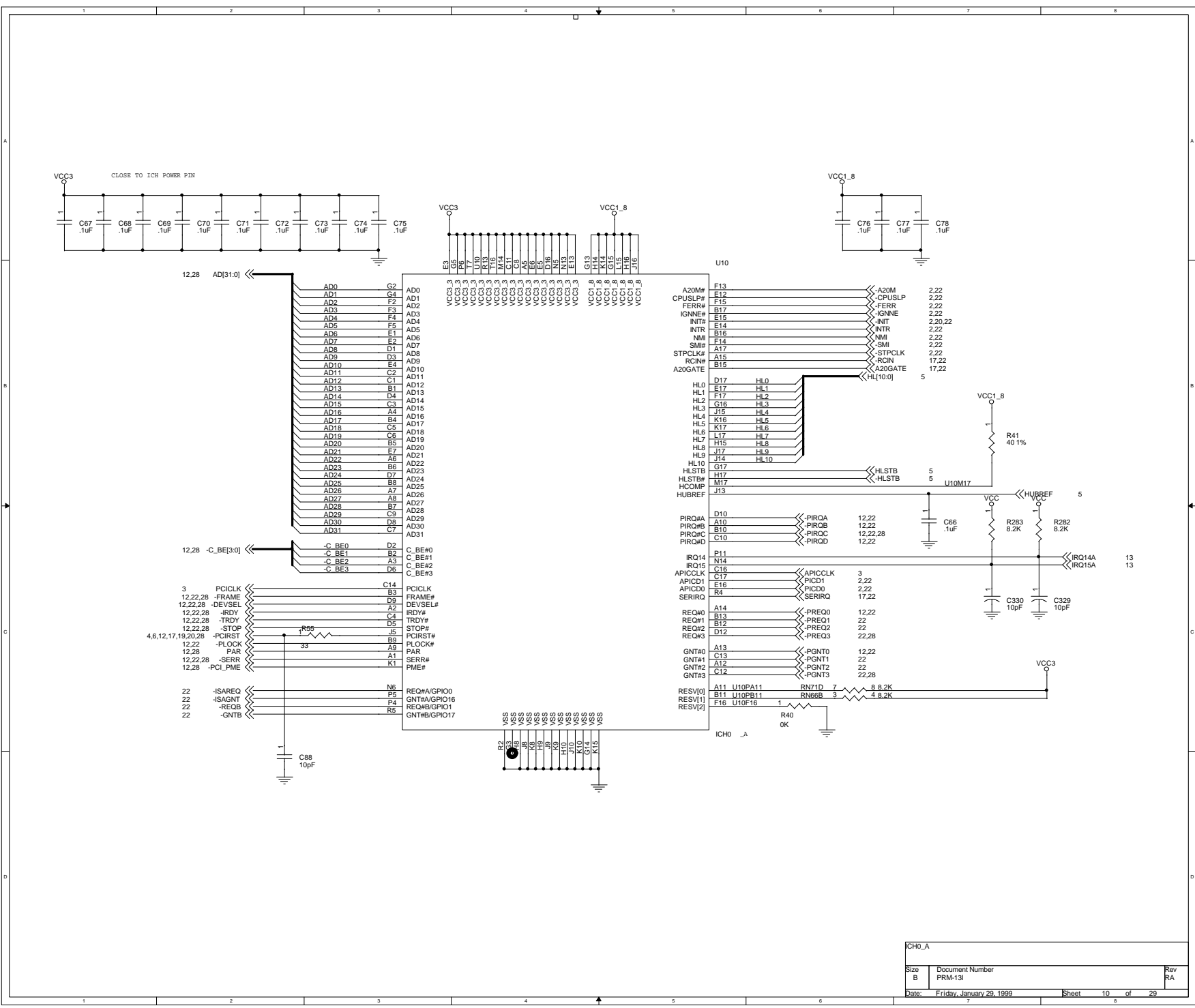
10.28 -C_BE[3:0]
10.28 AD[31:0]



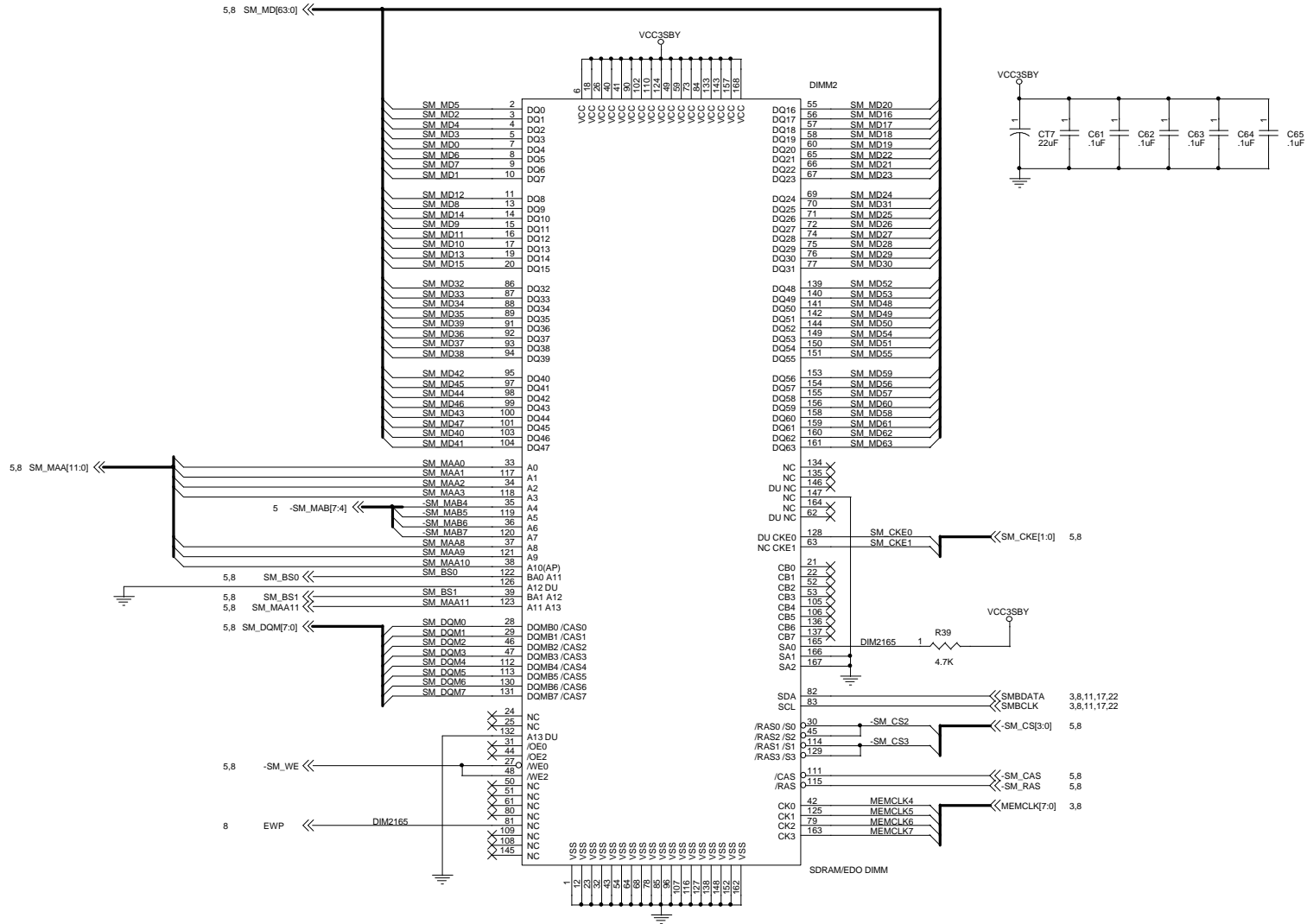
SEMILIGHT		
Title EXTENSION SLOT		
Size B	Document Number GMB-6113 / PRM-131	Rev RA
Date: Tuesday, April 04, 2000	Sheet 12	of 29



17,22	-THERM	K3	THRM#	N12	PDCS#1	13
3,17	-SLP_S3	K2	SLP_S3/GPIO24	L14	-SDCS1	13
16	-SLP_S5	K3	SLP_S5	U13	-SDCS3	13
19	PWROK	M2	PWROK	L16	-SDCS3	13
17	-PWRBTN	L3	PWRBTN#	PDA0	PDA[2:0]	13
23	-ICH_R1	F1	R#	T12	PDA1	13
17,19	-RSMRST	L4	RSMRST#	P12	PDA2	13
		F1	SUSSTAT#/GPIO25	M16	SDA0	13
		L4		M15	SDA1	13
3,8,9,17,22	SMBDATA	J1	SMBDATA	L13	SDA2	13
3,8,9,17,22	SMBCLK	J2	SMBCLK	U11	PREQ	13
22	-SMBALRT	M1	SMBALERT#/GPIO1	P17	SREQ	13
22	-INTRUDR	J4	INTRUDER#/GPIO1	U12	-PDDACK	13
3	CLK14	U6	CLK14	M13	SDDACK	13
3	USBCLK	U2	CLK66	R11	-PDIOR	13
3	ICH_3V66	A16	CLK66	N16	SDIOR	13
22,25	-AC_RST	T1	AS_RST#	T11	PDIOW	13
22,25	AC_SYNC	T3	AC_SYNC	N15	SDIOW	13
22,25	ACBITCLK	R3	AC_BITCLK	N11	PIORDY	13
22,25	AC_SDOUT	T2	AC_SDOUT	N17	SIORDY	13
22,25	AC_SDIN0	P3	AC_SDIN0	R10	PDD0	13
22,25	AC_SDIN1	U3	ICH_SPKR	N9	PDD1	13
19,25	ICH_SPKR	U3	ICH_SPKR	R9	PDD2	13
22	GPIO5	D11	GPIO5	U9	PDD3	13
22	GPIO6	E11	GPIO6	R8	PDD4	13
12,22	GPIO7	E9	GPIO7	U8	PDD5	13
22	-LPC_SMI1	N4	GPIO12	R7	PDD6	13
17,22	-LPC_PME	L2	GPIO13	U7	PDD7	13
22	NOGO	B14	GPIO21	P7	PDD8	13
22	GPIO23	D13	GPIO22	N7	PDD9	13
17,22	GPIO26	D15	GPIO23	T8	PDD10	13
		K4	GPIO26	P8	PDD11	13
		M5	GPIO27	T9	PDD12	13
		L5	GPIO28	P9	PDD13	13
		L5	GPIO28	T10	PDD14	13
		L5	GPIO28	P10	PDD15	13
17,20	LAD0	R6	LAD0/FWH0	P15	SDD0	13
17,20	LAD1	U5	LAD1/FWH1	R16	SDD1	13
17,20	LAD2	T5	LAD1/FWH2	T17	SDD2	13
17,20	LAD3	T4	LAD1/FWH3	U16	SDD3	13
17,20	-LFRAME	U4	LFRAME#/FWH4	U15	SDD4	13
17	-LDR00	T6	LDR0#	R14	SDD5	13
22	-LDR01	N3	LDR0#1/GPIO8	P13	SDD6	13
14	USBP1P	R1	USBP1P	T13	SDD7	13
14	USBP1N	P2	USBP1N	U14	SDD8	13
14	USBP0P	P1	USBP0P	T14	SDD9	13
14	USBP0N	N2	USBP0N	T14	SDD10	13
14	-OC0	M4	OC#1	P14	SDD11	13
		M3	OC#0	T15	SDD12	13
		H2	VBIAS	U17	SDD13	13
		H3	RTCX1	R15	SDD14	13
		H4	RTCX2	R17	SDD15	13
		H1	RTCRST#	P16	SDD15	13

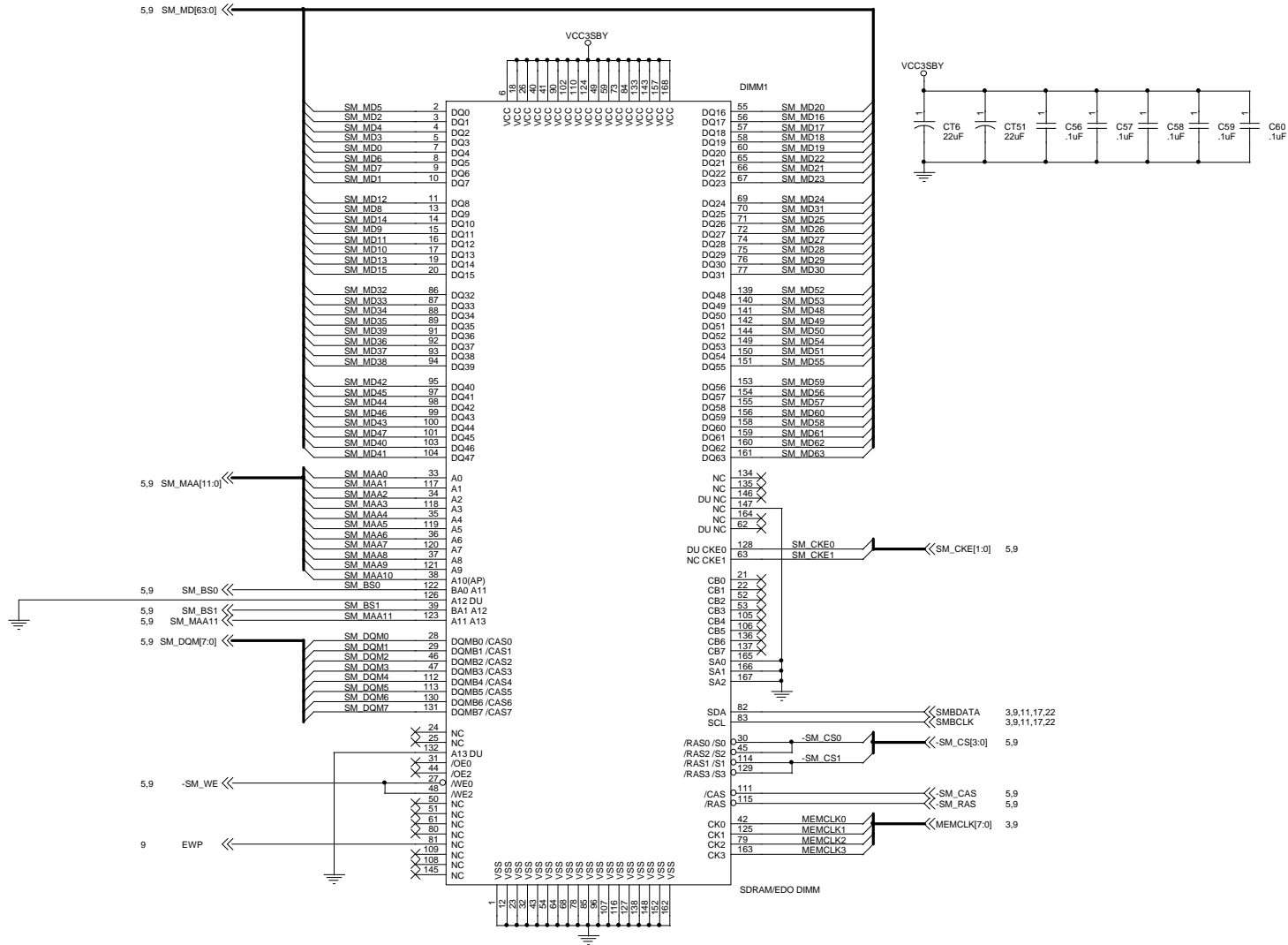


DIMM CONNECTOR 2

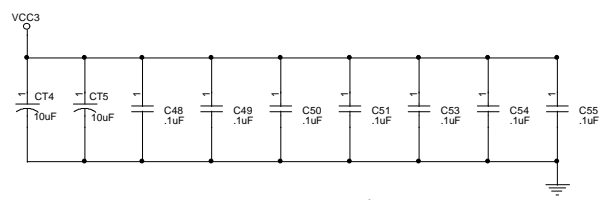
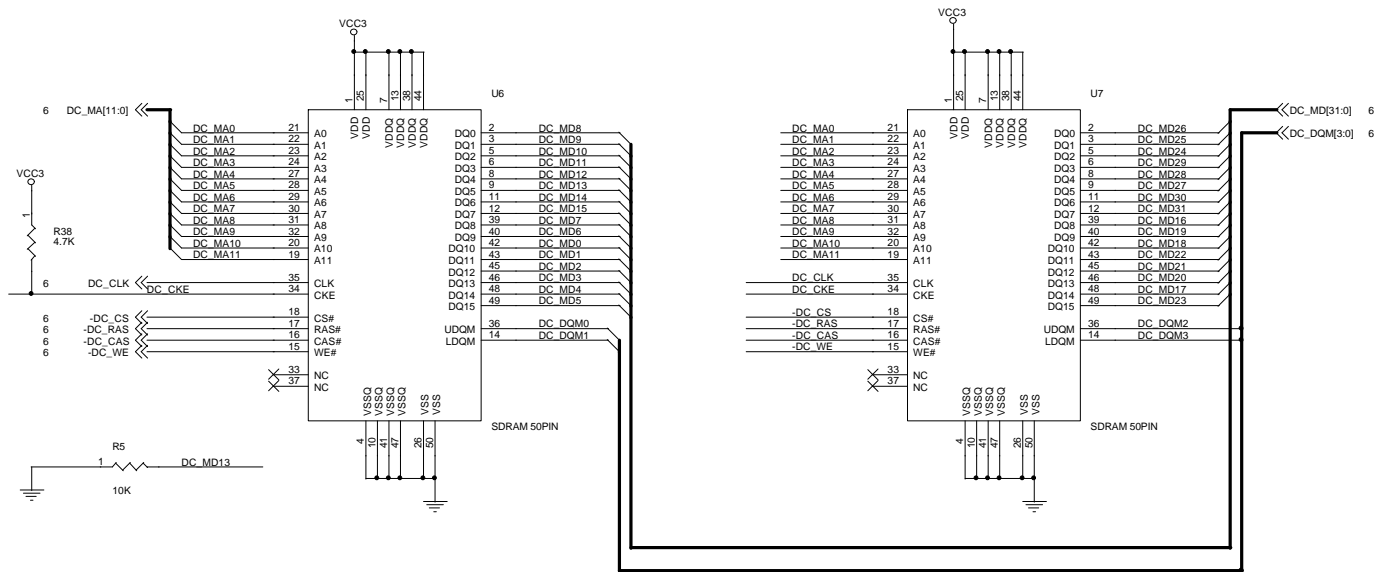


DIMM SOCKET(2)		
Size	Document Number	Rev
B	PRM-131	RA
Date:	Friday, January 29, 1999	Sheet 9 of 29

DIMM CONNECTOR 1

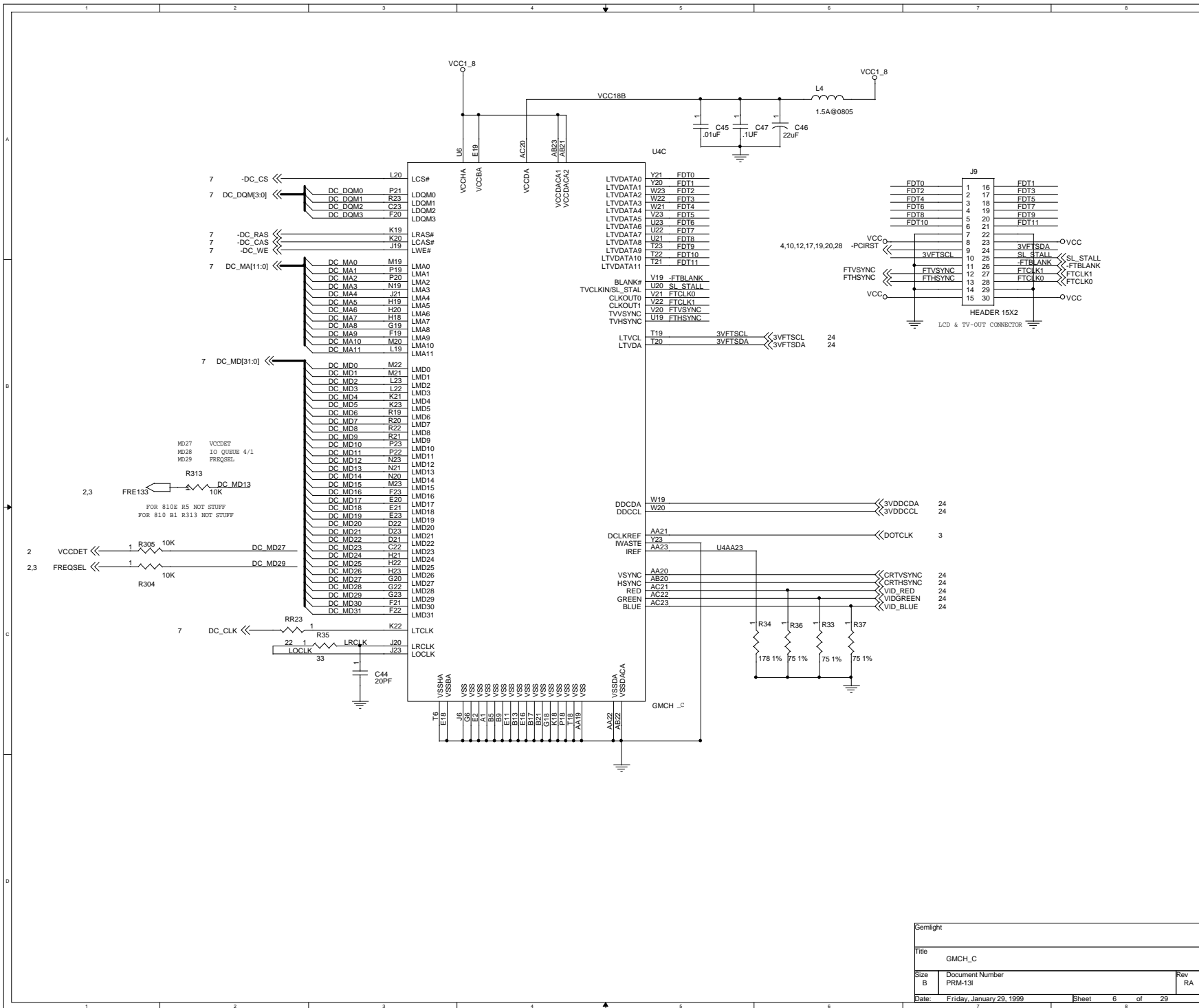


DIMM SOCKET(1)		
Size	Document Number	Rev
B	PRM-131	RA
Date:	Friday, January 29, 1999	Sheet 8 of 29

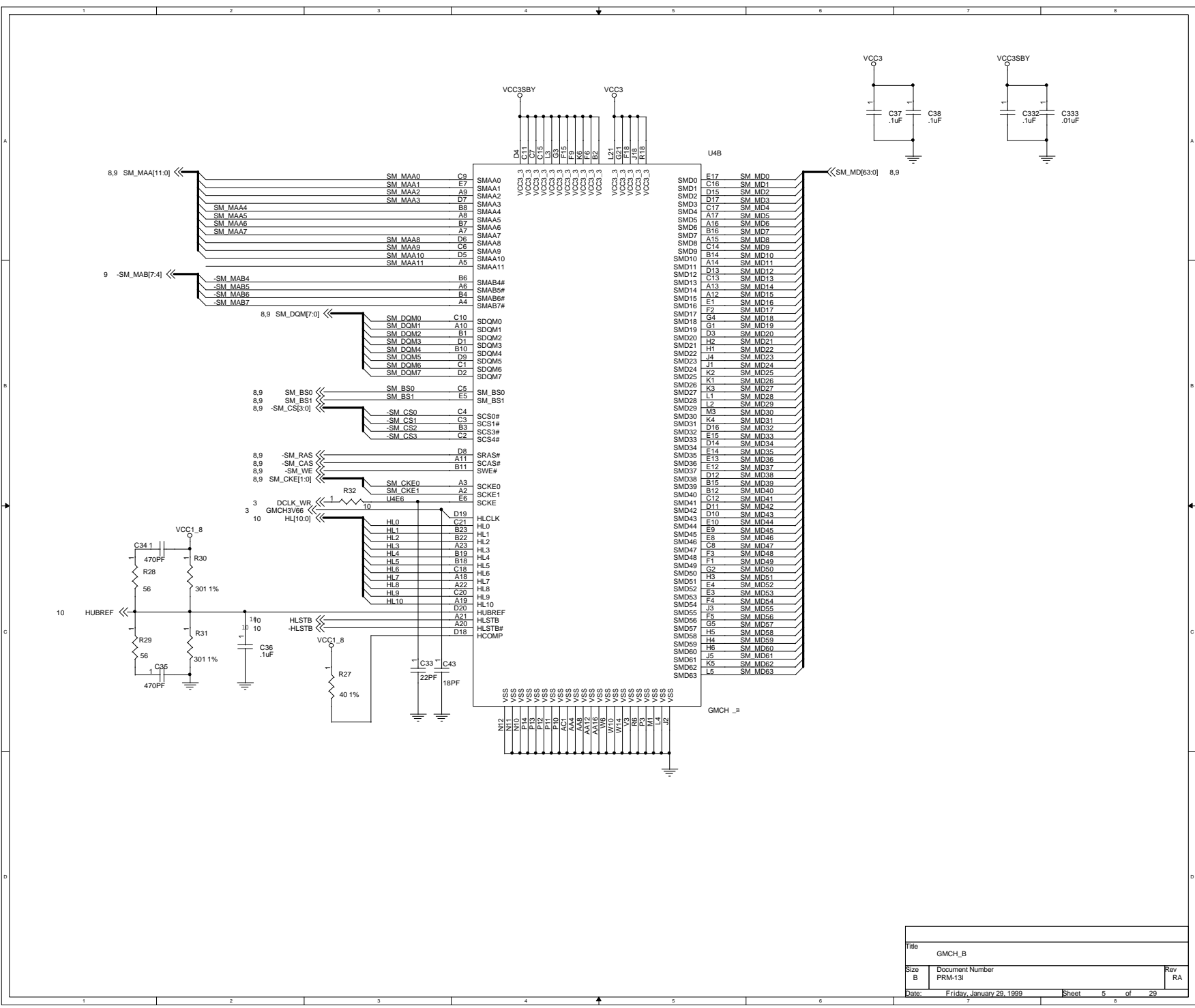


Close to each power pin

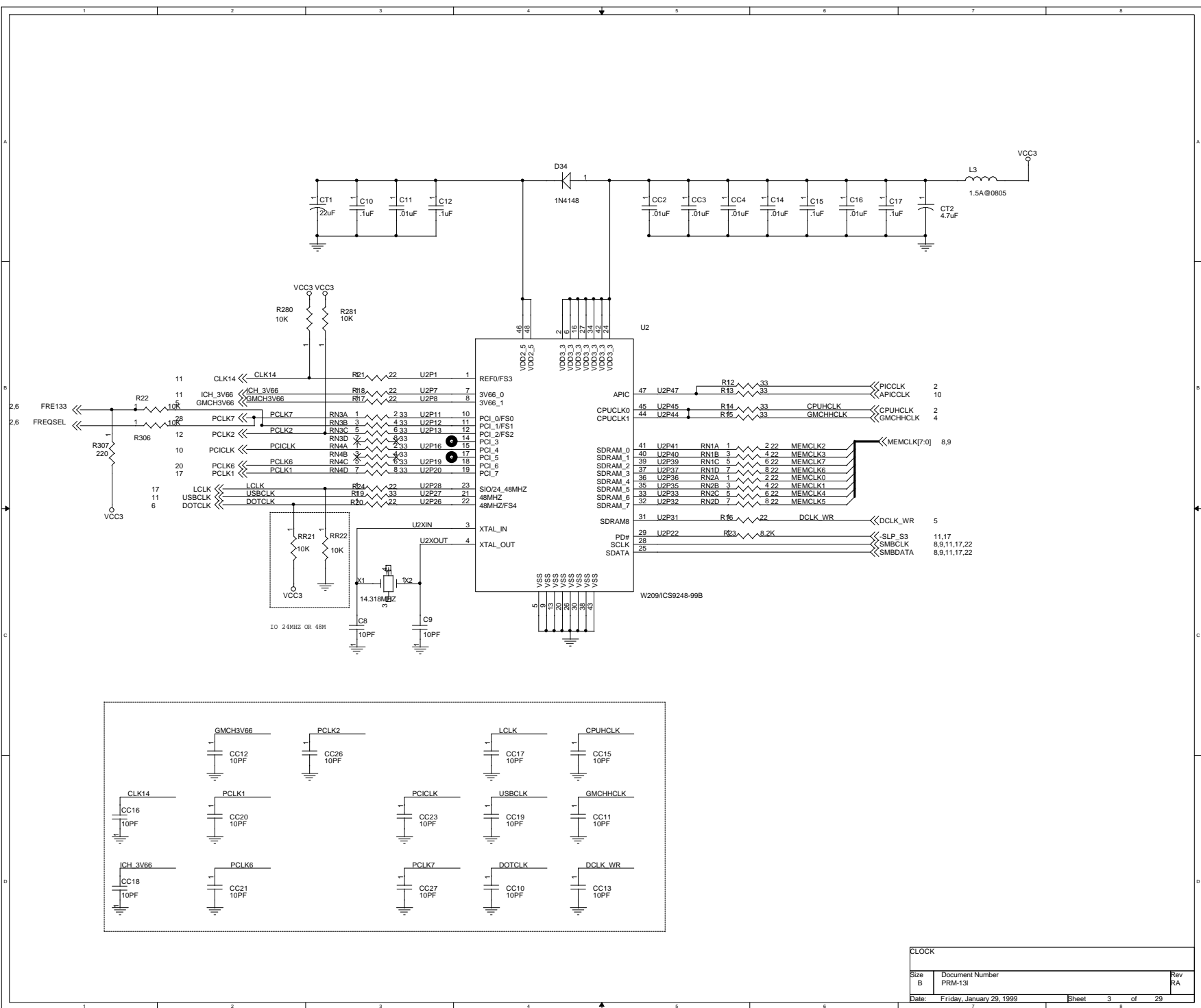
VGA SDRAM 50PIN		
Size B	Document Number PRM-131	Rev RA
Date: Friday, January 29, 1999	Sheet 7	of 29



Gernight		
Title GMCH_C		
Size B	Document Number PRM-131	Rev RA
Date: Friday, January 29, 1999	Sheet 6	of 29



File		GMCH_B	
Size	Document Number	Rev	
B	PRM-131	RA	
Date:	Friday, January 29, 1999	Sheet	5 of 29



CLOCK		
Size	Document Number	Rev
B	PRM-131	RA
Date:	Friday, January 29, 1999	Sheet 3 of 29

PRM-13I / GMB-6113

INTEL 810 SOCKET 370 FLEX ATX

- 1: CONTENTS
- 2: PPGA370
- 3: CLOCK GEN
- 4: GMCH_A
- 5: GMCH_B
- 6: GMCH_C
- 7: VGA SDRAM
- 8: DIMM 1
- 9: DIMM 2
- 10: ICH0_A
- 11: ICH0_B
- 12: W83628F PCI TO ISA BRIDGE (REMOVE)
- 13: W83629F PCI TO ISA BRIDGE (REMOVE)
- 14: PCI SLOT
- 15: IDE CONNECTORS
- 16: USB CONNECTORS
- 17: SC 1157 PWM
- 18: IPAC CONTROL
- 19: W83627HF LPC SIO
- 20: FDC, LPT, COM1, COM2 CONNECTORS
- 21: ATX POWER CONN, PANEL SW CONN.
- 22: FWH BIOS
- 23: GTL TERMINATION
- 24: BUS TERMINATOR , AMR CONN.
- 25: CPU FANS, RING, VID SENSE
- 26: VGA DB15 CONNECTOR
- 27: AUDIO CODEC
- 28: GAME PORT
- 29: BYPASS CAPACITORS
- 30: RTL8139A ETHER NET

LINK
2.SCH
3.SCH
4.SCH
5.SCH
6.SCH
7.SCH
8.SCH
9.SCH
10.SCH
11.SCH
12.SCH
13.SCH
14.SCH
15.SCH
16.SCH
17.SCH
18.SCH
19.SCH
20.SCH
21.SCH
22.SCH
23.SCH
24.SCH
25.SCH
26.SCH
27.SCH
28.SCH
29.SCH
30.SCH

Gernight Computer Ltd.			
Title			
CONTENTS			
Size	Document Number	Rev	
B	GMB-6113 / PAM-13I	RA	
Date:	Friday, January 29, 1999	Sheet	1 of 29