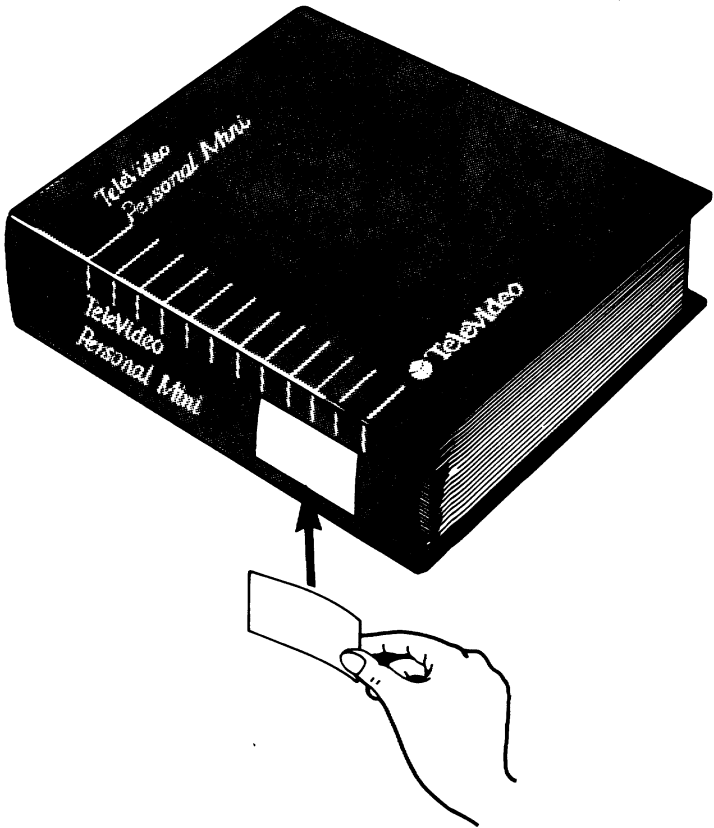


Please attach this label to the spine of the binder. See the illustration below for the correct location.



)

)

)

# **TELECAT-286 TECHNICAL REFERENCE MANUAL**

TeleVideo Document 129003-00 Rev. A  
July 1986

## **Copyright**

Copyright (c) 1986 by TeleVideo Systems, Inc. All rights reserved. No part of this publication may be reproduced, transmitted, transcribed, stored in a retrieval system, or translated into any language or computer language, in any form or by any means, electronic, mechanical, magnetic, optical, chemical, manual, or otherwise, without the prior written permission of TeleVideo Systems, Inc., 1170 Morse Avenue, P. O. Box 3568, Sunnyvale, California 94088.

## **Disclaimer**

TeleVideo Systems, Inc. makes no representations or warranties with respect to this manual. Further, TeleVideo Systems, Inc. reserves the right to make changes in the specifications of the product described within this manual at any time without notice and without obligation of TeleVideo Systems, Inc. to notify any person of such revision or changes.

## **FCC**

This device is classified as either a Class A or Class B computing device. Class A devices may only be used in commercial, business, or industrial environments, whereas Class B devices have been approved by the Federal Communications Commission for use in residential areas by the general public. Check the FCC label on the bottom of your terminal to ensure that you have purchased the version appropriate for your end-use environment.

### **Class A Warning**

This equipment generates, uses, and can radiate radio frequency energy. If not installed and used in accordance with the instruction manual, it may cause interference with radio emissions. This peripheral equipment has been tested and found to comply with the limits for a Class A computing device, pursuant to Subpart J of Part 15 of FCC Rules, which are designed to provide reasonable protection against radio frequency interference (RFI) when operated in a commercial environment. Operation of this equipment in a residential area is likely to cause interference, in which case the user at his own risk and expense will be required to correct the interference. The use of nonshielded I/O cables may not guarantee compliance with FCC RFI limits.

### **Class B Warning**

This equipment has been certified to comply with the limits for a Class B computing device, pursuant to Subpart J of Part 15 of the FCC Rules, which are designed to provide reasonable protection against interference to radio and TV reception when operated in a residential environment. The use of good shielded I/O cables is required.

If this equipment does cause interference to radio or television the user is encouraged to correct the interference by reorienting the receiving antenna, relocating the computer with respect to the receiver, moving the computer away from the receiver, or plugging the computer into a different outlet so that computer and receiver are on different branch circuits. If necessary, the user should consult the dealer or qualified radio/television technician for suggestions.

**WARNING! There are no user serviceable parts inside the TeleCAT-286. All service should be referred to a qualified technician. Disconnect the power cord from the unit before opening or servicing the TeleCAT-286.**

**TeleVideo and TeleCAT-286 are registered trademarks of TeleVideo Systems, Inc.**

**IBM and AT are registered trademarks of International Business Machines Corporation.**

**Intel is a registered trademark of Intel Corporation.**

**NEC is a registered trademark of Nippon Electric Corporation.**

**TeleVideo Systems, Inc., 1170 Morse Avenue, P.O. Box 3568, Sunnyvale, California 94088-3568.**

# TABLE OF CONTENTS

## 1 OVERVIEW

|                                 |     |
|---------------------------------|-----|
| Introduction to this Manual     | 1.1 |
| Introduction to the TeleCAT-286 | 1.2 |

## 2 HARDWARE FUNCTIONS - MOTHERBOARD

|   |      |
|---|------|
| Introduction                                    | 2.1  |
| 80286 Central Processing Unit                   | 2.3  |
| CPU Support Circuits                            | 2.5  |
| Wait-State Generation                           | 2.6  |
| 80287 Numeric Coprocessor                       | 2.8  |
| System Clock and CPU Reset                      | 2.8  |
| MC 146818 Real-Time Clock                       | 2.9  |
| System EPROM                                    | 2.9  |
| System Memory Control and Organization          | 2.10 |
| System RAM                                      | 2.12 |
| Memory Controller                               | 2.13 |
| Memory Refresh Controller                       | 2.13 |
| Bus Arbitration                                 | 2.14 |
| Parity Logic                                    | 2.15 |
| 8237A Direct Memory Access (DMA)<br>Controllers | 2.16 |
| Page Registers                                  | 2.18 |
| DMA Wait-Circuit                                | 2.18 |
| Address and Data Busses                         | 2.19 |
| Address and Data Buffering                      | 2.19 |
| 8259 Interrupt Controllers                      | 2.21 |
| 8254 Programmable Timer                         | 2.22 |
| Keyboard Controller                             | 2.22 |
| RS-232C Interface Channel                       | 2.23 |
| RS-232C Serial Port                             | 2.24 |
| Parallel Printer Port                           | 2.24 |
| I/O Channels (Slots)                            | 2.25 |

### **3    **HARDWARE FUNCTIONS - DISKETTE/FIXED DISK CONTROLLER****

|                                    |      |
|------------------------------------|------|
| Introduction                       | 3.1  |
| Diskette Controller                | 3.1  |
| Fixed Disk (Winchester)            | 3.5  |
| Controller Interface               |      |
| Fixed Disk (Winchester) Controller | 3.6  |
| System/Controller Interface        | 3.8  |
| Operations With Dual-Port          | 3.9  |
| Buffer RAM                         |      |
| Writing Disk Data                  | 3.11 |
| Reading Disk Data                  | 3.16 |

### **4    **HARDWARE FUNCTIONS - STREAMING TAPE INTERFACE BOARD****

|                          |      |
|--------------------------|------|
| Introduction             | 4.1  |
| I/O Interface            | 4.4  |
| System Interface         | 4.6  |
| Tape Drive Interface     | 4.9  |
| Write State Operation    | 4.11 |
| Read State Operation     | 4.14 |
| Data Transfer            | 4.16 |
| Data Buffers and Latches | 4.16 |

### **5    **HARDWARE FUNCTIONS - HIGH-RESOLUTION COLOR GRAPHICS BOARD****

|                                       |      |
|---------------------------------------|------|
| Introduction                          | 5.1  |
| I/O Channel Interface                 | 5.4  |
| Motorola 68B45P CRT Controller (CRTC) | 5.8  |
| Clock Generation and Display          | 5.9  |
| Memory Timing Logic                   |      |
| Display Memory                        | 5.11 |
| Character Generation and              | 5.15 |
| Attribute Control Logic               |      |



## 6     **HARDWARE PROGRAMMING - MOTHERBOARD**

|   |      |
|---|------|
| <b>Introduction</b>                         | 6.1  |
| <b>80286 Central Processing Unit</b>        | 6.3  |
| Real-Address Mode                           | 6.3  |
| Protected-Address Mode                      | 6.4  |
| <b>System Performance</b>                   | 6.4  |
| <b>80287 Numeric Coprocessor</b>            | 6.5  |
| <b>MC146818 Real-Time Clock Plus RAM</b>    | 6.6  |
| Real-Time Clock Information                 | 6.7  |
| RAM Configuration                           | 6.11 |
| <b>System EPROM</b>                         | 6.20 |
| <b>System RAM</b>                           | 6.21 |
| <b>8237A DMA Controllers</b>                | 6.22 |
| Page Register                               | 6.23 |
| Programming 16-Bit DMA Channels 5, 6, and 7 | 6.24 |
| <b>8259A Interrupt Controllers</b>          | 6.26 |
| <b>8254 Programmable Timer</b>              | 6.28 |
| <b>8042 Keyboard Controller</b>             | 6.29 |
| Receiving Data from the Keyboard            | 6.29 |
| Scan-Code Translation                       | 6.29 |
| Sending Data to the Keyboard                | 6.33 |
| Inhibit Capability                          | 6.34 |
| Keyboard Controller System Interface        | 6.34 |
| Output Buffer                               | 6.36 |
| Input Buffer                                | 6.37 |
| Controller Ports                            | 6.40 |
| <b>RS-232C Serial Port</b>                  | 6.41 |
| Serial Data Structure                       | 6.41 |
| Serial Port Registers                       | 6.42 |
| <b>Parallel Printer Port</b>                | 6.43 |
| Data Latch                                  | 6.43 |
| Parallel Printer Control Signals            | 6.44 |
| Printer Status                              | 6.44 |

**7      **HARDWARE PROGRAMMING - DISKETTE/FIXED  
DISK CONTROLLER****

|                                    |      |
|------------------------------------|------|
| Diskette Controller                | 7.1  |
| Fixed (Winchester) Disk Controller | 7.20 |
| Data Access                        | 7.20 |
| Error Register                     | 7.21 |
| Write Precomp                      | 7.22 |
| Sector Count                       | 7.22 |
| Sector Number                      | 7.22 |
| Cylinder Number Low                | 7.22 |
| Cylinder Number High               | 7.22 |
| Sector/Drive/Head Register         | 7.23 |
| Status Register                    | 7.24 |
| Control Register                   | 7.25 |
| Command Register                   | 7.26 |

**8      **HARDWARE PROGRAMMING - STREAMING TAPE  
INTERFACE BOARD****

|                      |     |
|----------------------|-----|
| Introduction         | 8.1 |
| Configuration        | 8.1 |
| DMA Transfers        | 8.2 |
| Tape Drive Interface | 8.2 |
| Data Format          | 8.6 |
| Command Codes        | 8.8 |

**9      **HARDWARE PROGRAMMING - HIGH-RESOLUTION  
COLOR GRAPHICS BOARD****

|                        |      |
|------------------------|------|
| Introduction           | 9.1  |
| Controller Programming | 9.3  |
| Mode-Select Register   | 9.5  |
| Color-Select Register  | 9.6  |
| Status Register        | 9.8  |
| Alphanumeric Mode      | 9.9  |
| Graphics Mode          | 9.11 |

## APPENDICES

|   |            |
|---|------------|
| Specifications  | A.1        |
| Motherboard Jumper and Switch Settings                  | B.1        |
| Diskette/Fixed Disk Controller<br>Jumper Configurations | C.1        |
| Tape Interface Board Jumper Settings                    | D.1        |
| HRCGB Jumper and Switch Settings<br>Interface           | E.1<br>F.1 |

## INDEX

## SCHEMATIC DIAGRAMS

## FIGURES

|   |      |
|---|------|
| 2-1 TeleCAT-286 Functional Block Diagram                                      | 2.2  |
| 2-2 Processor and Bussing Block Diagram                                       | 2.4  |
| 2-3 System Memory and I/O Block Diagram                                       | 2.11 |
| 3-1 Diskette Controller   | 3.3  |
| 3-2 Fixed Disk (Winchester) Controller Board<br>Block Diagram                 | 3.7  |
| 3-3 Writing Disk Data   | 3.13 |
| 3-4 Reading Disk Data   | 3.17 |
| 4-1 Tape Interface Board Block Diagram  | 4.3  |
| 4-2 I/O Logic Block Diagram   | 4.5  |
| 4-3 Write State Operation Block Diagram                                       | 4.13 |
| 4-4 Read State Operation Block Diagram  | 4.15 |
| 4-5 Latch and Buffering Scheme<br>Block Diagram                               | 4.17 |
| 5-1 High-Resolution Color Graphics Board<br>Block Diagram                     | 5.3  |
| 5-2 I/O Channel Interface, CRTIC, and Clock<br>Generation Logic Block Diagram | 5.6  |
| 5-3 Display Memory and Character/Attribute<br>Logic Block Diagram             | 5.12 |

## FIGURES (continued)

|     |   |      |
|-----|---|------|
| 6-1 | Keyboard Layout   | 6.30 |
| 6-2 | Serial Interface Data<br>Transmission Structure                   | 6.41 |
| 9-1 | Software-Selectable Palettes                                      | 9.2  |
| 9-2 | Graphics Memory Addresses   | 9.12 |
| 9-3 | 640 x 200 Offset Address Format                                   | 9.13 |
| 9-4 | 320 x 400 Offset Address Format                                   | 9.15 |
| 9-5 | 640 x 400 Offset Address Format                                   | 9.16 |
| B-1 | Serial Port Jumper (W1)   | B.1  |
| B-2 | Parallel Port Jumper (W2)   | B.2  |
| B-3 | EPROM Jumper (W3 and W4)  | B.4  |
| B-4 | Numeric Coprocessor Jumper (W9)                                   | B.6  |
| B-5 | Numeric Coprocessor Jumper (W10)                                  | B.7  |
| B-6 | Motherboard DIP Switch Location                                   | B.9  |
| C-1 | Diskette/Fixed Disk Controller<br>Primary Address Configuration   | C.2  |
| C-2 | Diskette/Fixed Disk Controller<br>Secondary Address Configuration | C.2  |
| D-1 | Tape Interface Board Jumper Locations                             | D.1  |
| E-1 | HRCGB Jumper and Switch Locations                                 | E.1  |

## TABLES

|     |  |      |
|-----|--|------|
| 3-1 | Diskette Controller Components                             | 3.4  |
| 3-2 | Fixed Disk (Winchester)<br>Controller Interface Components | 3.5  |
| 3-3 | System/Controller Interface Components                     | 3.8  |
| 3-4 | Write From Buffer RAM                                      | 3.9  |
| 3-5 | Read From Dual-Port Buffer RAM                             | 3.10 |
| 3-6 | Writing From Buffer RAM                                    | 3.14 |
| 3-7 | Disk Data  | 3.18 |

**TABLES (continued)**

|      |   |      |
|------|---|------|
| 4-1  | I/O Decoder Control Signals                     | 4.6  |
| 4-2  | System Control Signals                          | 4.7  |
| 4-3  | Control Signals Sent to the Tape Drive          | 4.9  |
| 4-4  | Control Signals Received from<br>the Tape Drive | 4.10 |
|      |   |      |
| 6-1  | TeleCAT-286 I/O Address Summary                 | 6.1  |
| 6-2  | I/O Device Reference Literature                 | 6.2  |
| 6-3  | Real-Time Clock Plus RAM Addresses              | 6.6  |
| 6-4  | Real-Time Clock Information                     | 6.7  |
| 6-5  | Fixed Disk Parameters                           | 6.15 |
| 6-6  | System Memory Map                               | 6.21 |
| 6-7  | DMA Channel Assignments                         | 6.23 |
| 6-8  | Page Register Assignments                       | 6.24 |
| 6-9  | DMA Controller 2 Command Codes                  | 6.25 |
| 6-10 | System Interrupts                               | 6.27 |
| 6-11 | Counter/Timer Channel Assignments               | 6.28 |
| 6-12 | Keyboard Scan-Code Translation Table            | 6.31 |
| 6-15 | Serial Port Registers                           | 6.42 |
|      |   |      |
| 7-1  | Digital-Output Register                         | 7.1  |
| 7-2  | Diskette Controller Status Register             | 7.2  |
| 7-3  | Diskette Controller Command Summary             | 7.3  |
| 7-4  | Diskette Controller Command Symbols             | 7.12 |
| 7-5  | TeleCAT-286 Registers                           | 7.20 |
| 7-6  | Error Register Bit Assignments                  | 7.21 |
| 7-7  | Status Register Bit Assignments                 | 7.24 |
| 7-8  | Control Register Bit Assignments                | 7.25 |
| 7-9  | Command Register Format                         | 7.27 |
| 7-10 | Interleaves                                     | 7.32 |

## TABLES (continued)

|      |   |      |
|------|---|------|
| 8-1  | I/O Read and Write Operation Ports                | 8.2  |
| 8-2  | Tape Drive Control Status Bits                    | 8.3  |
| 8-3  | Write Control Latch Bit Assignment                | 8.5  |
| 8-4  | GRC Conversion Table                              | 8.6  |
| 8-5  | Command Codes                                     | 8.8  |
| 8-6  | Status Byte 0                                     | 8.11 |
| 8-7  | Status Byte 1                                     | 8.13 |
| 8-8  | Fault Status                                      | 8.24 |
| 8-9  | Selected Drive                                    | 8.26 |
| 8-10 | Current Track                                     | 8.26 |
|      |   |      |
| 9-1  | CRT Controller Registers                          | 9.4  |
| 9-2  | Mode-Select Register                              | 9.5  |
| 9-3  | Mode-Select Register Summary                      | 9.6  |
| 9-4  | Color-Select Register                             | 9.7  |
| 9-5  | Status Register                                   | 9.9  |
| 9-6  | Character Attribute Byte                          | 9.10 |
| 9-7  | Color Codes                                       | 9.11 |
| 9-8  | 640 x 200 Byte Usage                              | 9.14 |
| 9-9  | 320 x 200 Byte Usage                              | 9.14 |
| 9-10 | 640 x 400 Byte Usage                              | 9.17 |
|      |   |      |
| D-1  | IRQ, DRQ, and DACK Jumper Connections             | D.2  |
| D-2  | I/O Port Address Selector<br>(Jumpers J5, J6, J7) | D.3  |
|      |   |      |
| E-1  | HRCGB Jumper Settings                             | E.2  |
| E-2  | Switch Settings for the HRCGB                     | E.3  |
|      |   |      |
| F-1  | Power Supply (P1)                                 | F.1  |
| F-2  | Power Supply (PW2)                                | F.2  |
| F-3  | Power Supply (PW2)                                | F.2  |
| F-4  | Power Supply (DR1-DR3)                            | F.2  |
| F-5  | Battery (J20 - Motherboard)                       | F.3  |
| F-6  | Power Supply (P1A - motherboard)                  | F.3  |
| F-7  | Power Supply (P1B - motherboard)                  | F.3  |
| F-8  | Speaker (J22 - motherboard)                       | F.4  |

**TABLES (continued)**

|             |   |             |
|-------------|---|-------------|
| <b>F-9</b>  | <b>8-Bit Expansion Board Slot</b>   | <b>F.4</b>  |
| <b>F-10</b> | <b>16-Bit Expansion Board Slot</b>  | <b>F.6</b>  |
| <b>F-11</b> | <b>Diskette/Fixed Disk Controller Board<br/>Diskette Bus Connector (J1)</b>                       | <b>F.8</b>  |
| <b>F-12</b> | <b>Diskette/Fixed Disk Controller Board<br/>Fixed Disk Control Signal<br/>Connector (J5)</b>      | <b>F.9</b>  |
| <b>F-13</b> | <b>Diskette/Fixed Disk Controller Board<br/>Fixed Disk Data Signal<br/>Connectors (J3 and J4)</b> | <b>F.10</b> |
| <b>F-14</b> | <b>Parallel Printer Port (J17)</b>  | <b>F.11</b> |
| <b>F-15</b> | <b>Serial Communications Port (J18)</b>   | <b>F.12</b> |
| <b>F-16</b> | <b>Keyboard Connector</b>   | <b>F.12</b> |
| <b>F-17</b> | <b>High-Resolution Graphics Board</b>   | <b>F.13</b> |

)

)

)



# 1 OVERVIEW

## INTRODUCTION TO THIS MANUAL

The information in the TeleCAT-286 Technical Reference Manual is intended as a reference for those who wish to modify system hardware or software for use with the TeleCAT-286.

The structure of the manual is as follows:

**Chapter 1:** The overview chapter provides a general description of the TeleCAT-286.

**Chapters 2 - 5:** These chapters provide block-level descriptions of the logic on the motherboard, diskette/fixed disk drive board, high-resolution color graphics board, and tape drive controller board.

**Chapters 6 - 9:** Programming aspects of the computer are described in chapters 6 through 9. Subsections in chapters 2 through 5 parallel those in chapters 6 through 9.

These chapters are supported by information contained in five appendices and schematic diagrams:

**Appendix A:** "Specifications" describes the electrical, physical, environmental, memory and peripheral information regarding the TeleCAT-286.

**Appendix B:** "Motherboard Jumper and DIP Switch Settings" identifies jumper configurations for the following components: serial port, parallel port, EPROM, and numeric coprocessor. Also included are switch settings for CPU speed, color/graphics or monochrome adapter, and motherboard RAM.

Appendix C: "Diskette/Fixed Disk Controller Board Jumper Settings" describes the jumpers settings on the diskette/fixed disk controller board for configuration as primary or secondary disk drive controller.

Appendix D: "Tape Interface Board Jumper Connections," describes the jumper configurations on the tape drive interface board for selecting I/O port address and interrupt request, data request, and data acknowledge signal lines.

Appendix E: "HRCGB Jumper and Switch Settings," describes the jumper configurations and switch settings on the high-resolution color graphics board (HRCGB) for selecting size of graphic RAM, monitor type, character type, and graphics or monochrome mode.

Appendix F: "Interface" defines the pin-outs and signals descriptions for the internal and external connectors in the system.

Schematic Diagrams: This section contains the logic diagrams of the motherboard, high-resolution color graphics board, power supply, and monitor along with a system wiring diagram.

## **INTRODUCTION TO THE TELECAT-286**

The TeleCAT-286 is a high-performance 16-bit computer configured as either a single- or multi-user system, depending on the function of add-on circuit boards. The computer is fully hardware and software compatible with the IBM PC AT.

The basic TeleCAT-286 system is supplied with a motherboard, 140-watt switching power supply, and five I/O channels (hardware slots) that can accommodate a very broad range of peripherals, controllers, and communication adapters. Four of the channels are designed with two connectors to handle both 8- and 16-bit expansion boards. The remaining channel handles only 8-bit boards.

A typical user configuration for the TeleCAT-286 includes a monochrome or color monitor, fixed disk and diskette drives, and a detachable keyboard. The physical structure of the computer permits the internal installation of up to two diskette drives and one fixed disk, or two fixed disk drives and one diskette drive. A diskette drive can be a double sided 48 TPI drive or a high-capacity 96 TPI drive.

The motherboard contains a high-performance Intel 80286 CPU, an 80287 Numeric Coprocessor (optional), two 8237A DMA controllers, two 8259A interrupt controllers, a three-channel 8254 counter/timer circuit, and a Motorola MC146818 real-time clock (with battery backup). Motherboard memory consists of up to 1 megabyte of RAM with parity checking and up to 128K bytes of EPROM. Additional circuits on the motherboard include an 8042 keyboard controller, a RS-232C serial port, a parallel printer port, and hardware necessary for controlling the timing of these circuits, and the five I/O channels.

)

)

)

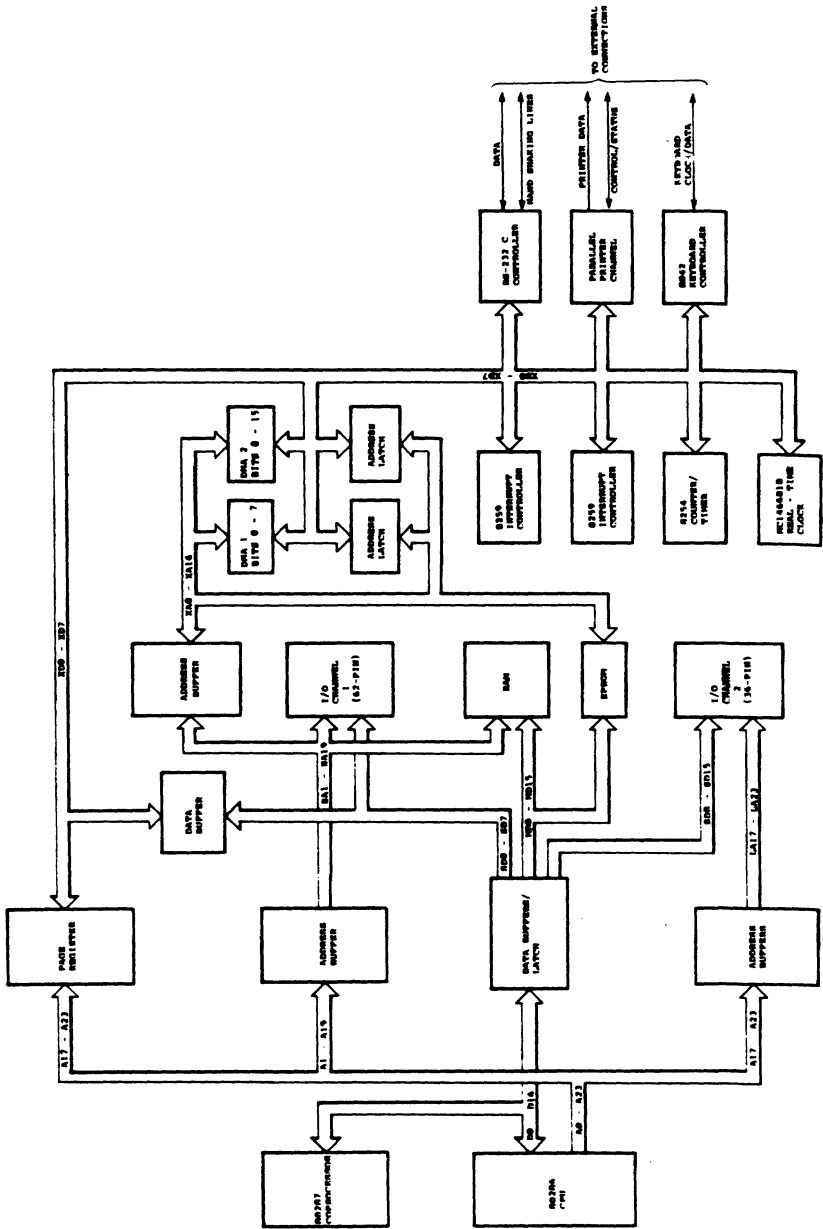
## **2     HARDWARE FUNCTIONS - MOTHERBOARD**

### **INTRODUCTION**

The TeleCAT-286 computer is based on a 16-bit Intel 80286 CPU with a switch selectable execution speed of 6 or 8 MHz. The default execution speed is 8 MHz.

A companion numeric coprocessor circuit, the Intel 80287, can be plugged into the system motherboard to expand the architecture of the CPU to include hardware processing of floating point, extended integer, and BCD data types. Figure 2-1, TeleCAT-286 Functional Block Diagram, shows the major functional blocks of the system.

TeleCAT-286 Functional Block Diagram  
Figure 2-1



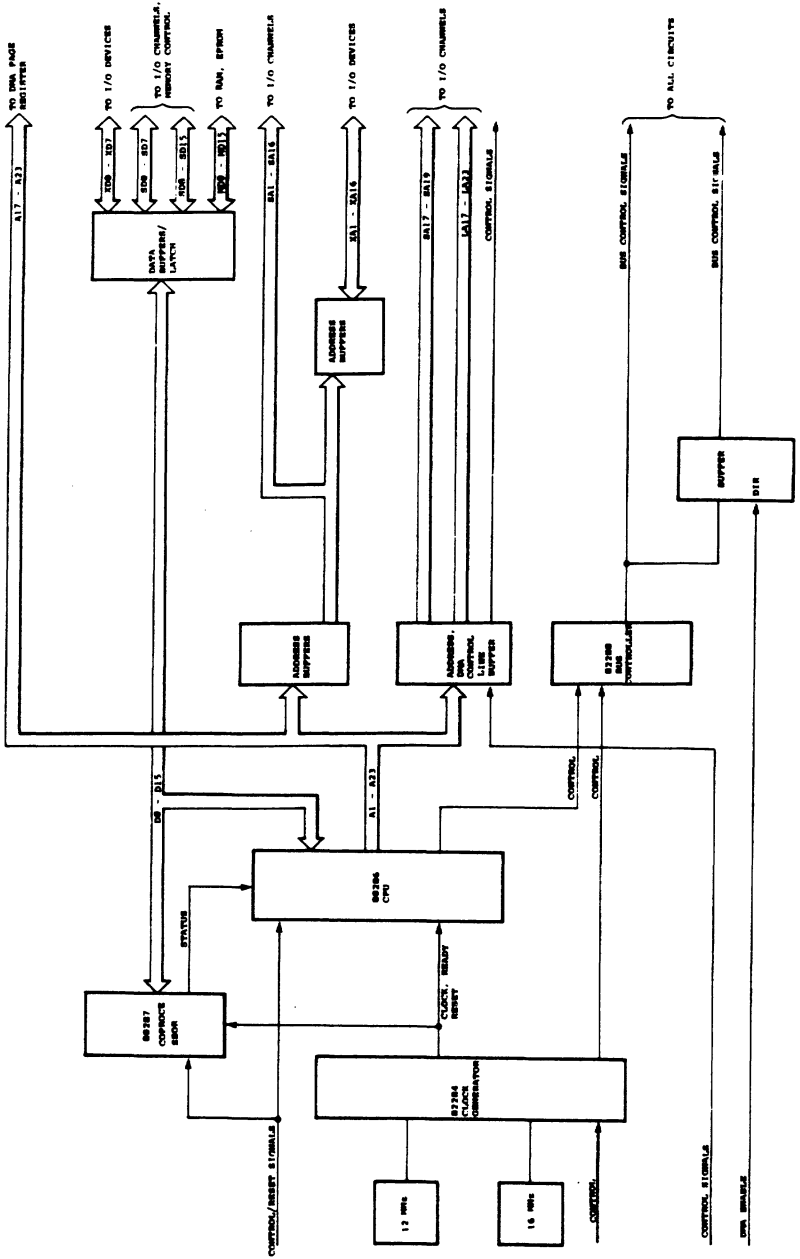
## **80286 CENTRAL PROCESSING UNIT**

See Figure 2-2, Processor and Bussing Block Diagram, and schematic diagrams during the following discussions (sheet numbers refer to the Motherboard Schematics located at the end of this manual).

On the right side of Sheet 2 of the schematics, the Intel 80286 CPU is a high-performance microprocessor with specially optimized features useful in multi-user/multi-tasking systems, such as the TeleCAT-286. The CPU directly addresses up to 16 megabytes of memory and 64 Kbytes of I/O addresses through 24 address lines A0 - A23. Data is transferred between CPU and I/O devices in 16-bit words or 8-bit bytes through the data bus lines D0 - D15.

Operational details of the 80286-family of devices used in the TeleCAT-286 is given extensive attention in the Microsystem Components Handbook, published by the Intel Corporation.

**Processor and Bussing Block Diagram**  
**Figure 2-2**





## **CPU Support Circuits**

The CPU requires two support circuits to function properly in the TeleCAT-286 system. First, clock, ready, and reset signals for the CPU are provided by an Intel 82284 Clock Generator and Ready Interface shown on the left side of Sheet 2 of the schematics. The Clock Generator conditions (squares up) the clock, and provides reset and ready signals synchronized to the clock.

Switch 1 of SW1 (Sheet 12 of the schematics) on the motherboard controls the selection of the clock source to be sent to the CPU. When switch 1 is open, the 6 MHz-/8 MHz line to clock generator is controlled by the switch SW2 located on the back of the computer (Sheet 12 of the schematics). SW2 open (high) enables the output of 16-MHz oscillator connected to the 82284's EFI input to provide the clock for the CPU. The CPU internally divides the clock by two to arrive at the 8-MHz processor speed.

If switch 1 of SW1 is closed, the 12-MHz crystal across the X1 and X2 inputs of the clock generator provides the clock to the CPU, and switch SW2 has no effect on the system operating speed. The CPU divides the clock frequency by two to deliver the 6-MHz processor speed.

The RESET output of the 82284 generates a reset signal from an RC circuit to provide a power-up reset to the CPU and the 80287 coprocessor.

Other reset signals are RESET 286, RESET 287 and RESET 287 BUSY. Two of these reset signals, RESET 286 and RESET 287, are software resets. RESET 286 is used when software must switch the CPU from its Protected mode to its Real-Address mode. RESET 287 is used by the CPU to reset the 80287 in the event of that device encountering an error in execution. The READY-output of the 82284 clock generator is low whenever the current CPU instruction cycle is complete.

The second supporting circuit required by the CPU is the Intel 82288 Bus Controller, shown on Sheet 1. The 82288 generates 80286 control signals for the various 8-bit I/O devices on the motherboard and 8- or 16-bit devices on the I/O channels. Control input lines to the Bus Controller include the system clock, READY- output of the 82284 clock generator, S0 and S1 control outputs of the CPU, and the COMMAND OFF- and Command Delay (CMDLY) lines from memory controller logic.

Based on these input signals, the 82288 Bus Controller generates memory and I/O read and write signals, the Interrupt Acknowledge (INTA-) line from the CPU to an interrupting I/O device, Data Enable (DEN), Address Latch Enable (ALE), a memory or I/O selection line, and a Hold Acknowledge (HLDA) line to the DMA circuits. A buffer and inverters on Sheet 1 buffer most of these lines to other circuits on the motherboard.

### **Wait-State Generation**

Wait-state generation circuits and the logic that controls the 8/16-bit conversion (Sheet 4) is on Sheet 6 of the schematics.

A wait-state causes the CPU to extend one or more clock cycles into any memory or I/O read/write cycle to accommodate I/O devices that cannot respond in the time allocated to a normal I/O or memory read/write cycle. For I/O devices or memory on the motherboard, the number of wait-states can range from one to a maximum of four, depending on the internal speed of the device.

For I/O devices or memory on the I/O channels, 6-MHz operation requires up to four wait-states for all 8-bit processing and one wait-state for 16-bit operations; 8-MHz operation requires up to six wait-states for 8-bit processes, one wait-state for 16-bit memory processes and two wait-states for 16-bit I/O operations.

All devices may request as many wait-states as required for reliable operation of the device. Note that too many wait-states will effect the operation of the memory refresh generation logic. The wait-state generation circuits consist of ten flip-flops clocked by SYSCLK- and controlled by a custom circuit at U97. Certain conditions, such as a request for zero wait-states from hardware on the I/O channels (OWS), the 6-MHz/8-MHz CPU clock setting, and the memory or I/O (M/IO) selector, determine the output of the custom circuit, which in turn, determines the number of wait-states generated at the COMMAND OFF- output of the circuit.

During a normal 8-bit I/O cycle, four wait-states are generated. This is in addition to two wait-states the CPU adds during execution of an I/O cycle. This wait timing of almost 1.0 microsecond (actually 996 nanoseconds) makes the I/O cycle timing compatible with the earlier 8088-based PC-type machines. For 16-bit I/O operations, the total wait timing is about 500 nanoseconds. System memory requires one wait-state; faster memory hardware on the I/O channels can request that no wait-states be inserted in the cycle.

On the bottom of Sheet 6 is the control logic for the 8/16-bit conversion buffer on Sheet 4. As stated above, this buffer controls the conversion between 16-bit I/O devices in the system and 8-bit I/O devices. The control logic generates two signals, GATE245- and DIR245 from the outputs of a custom circuit at U76. This custom circuit uses the MEMR- and MEMW- to select the direction of data flow in the buffer; XA0, AEN1-, AEN2-, XBHE-, and IOR-, in conjunction with FSYS16- and IOCS16-, determine when the buffer is gated. FSYS16- and IOCS16- come from the I/O channels to indicate that an addressed memory or I/O device on the I/O channel is capable of word length data transfers.

I/O decoders on Sheet 11 decode many of the I/O addresses, that is, chip selects and control signals, used by the system's devices. The decoders are addressed using the XA0 - XA9 address lines and the XIOR- and XIOW- read and write strobes.

## **80287 NUMERIC COPROCESSOR**

On Sheet 2 of the schematic, the Intel 80287 numeric coprocessor is upward-compatible with the Intel 8087 coprocessor used in PC-type systems. The numeric coprocessor operates in parallel with the CPU to provide hardware processing of floating point, extended integer, and BCD data types. Using the 80287 to process these operations in hardware is much faster than using the 80286 CPU to implement an equivalent function in software. While the 80287 receives the same 12-MHz or 16-MHz clock output of the 82284 clock generator, it internally divides the clock by three to operate at either 4.00 or 5.33 MHz.

The CPU regards the 80287 coprocessor almost like any other I/O device, such as the DMA or interrupt controller, in the sense that IOW- and IOR- control signals are used for communication. The 80287 is connected to the data bus through D0 - D15. If the coprocessor encounters an error in the execution of an instruction, flip-flop logic generates interrupt request (IRQ13) to the 8259A Interrupt Controller. The CPU then interrogates the interrupt controller, services the interrupt, and resets the flip-flop using the RESET 287 BUSY line.

## **SYSTEM CLOCK AND CPU RESET**

The circuitry on the top half of Sheet 5 generates the 6-MHz or 8-MHz system clock (SYSCLK, -SYSCLK) for the eight I/O channels and some circuits on the motherboard. Another flip-flop divides the SYSCLK signal to generate a 3-MHz or 4-MHz clock for the DMA controller (DMA CLK). Both clocks are synchronized to the clock derived from the CLK output of the 82284 clock generator and used internally by the CPU.

Finally, RESET 286 is generated by flip flop circuitry. RESET 286 is a stretched pulse required by the CPU and generated when: 1) the logic detects that the CPU is in a shut down condition as indicated by the state of the S0 and S1 lines from the CPU, or 2) a software reset changes the CPU from the protected-address mode to the real-address mode.

## **MC 146818 REAL-TIME CLOCK**

On Sheet 13, the Motorola MC146818 real-time clock serves two functions in the TeleCAT-286. First, it supplies time and date information to the CPU. Second, the real-time clock contains 50 bytes of RAM used by the system to store system configuration. Data to or from the real-time clock is transferred on the XD0 - XD7 data lines and controlled using several I/O signals. The time base is supplied by a 32.768-KHz crystal at Y2. The time, date, and memory are retained by a lithium battery backup circuit made up of transistors and a 6.0-volt lithium cell at connector J20. When the system is off, that is, once the +5-volt power in the system drops below 3.5 volts, the battery backup circuit allows current from the battery to flow to the clock. Otherwise, the battery is not used. The battery is replaceable.

## **SYSTEM EPROM**

As shown on the top half of schematic Sheet 9, four EPROMs can be accommodated. There can be two types: 16Kx8-bit (27128) or 32Kx8 (27256). Jumpers W3 and W4 select XA15 and XA16 address line assignments for each type. The EPROMs operate in parallel using the XA1 - XA16 lines for address and the MD0 - MD7 lines for data. The Chip Enable (CE) input for the EPROMs occurs through the EPROM CS- line from the address latch on Sheet 3. All four EPROMs are enabled at the same time; however the Output Enable (OE) input for each EPROM is unique as gated by U56.

## **SYSTEM MEMORY CONTROL AND ORGANIZATION**

See Figure 2-3, System Memory and I/O Device Block Diagram, during the following discussions. The system memory control circuits operate to refresh the complement of dynamic RAMs in the system. The circuits also generate the proper timing for access of memory locations by the CPU and DMA controllers.



## SYSTEM RAM

Motherboard memory may be composed three ways:

1. 256 Kbytes using 36 - 64K x 1 RAM chips
2. 512 Kbytes using 18 - 256K x 1 RAM chips
3. 640 Kbytes using 18 - 256K x 1 RAM chips and 18 - 64K X 1 RAM chips.
4. 1 Mbyte using 36 - 256K x 1 RAM chips

External RAM can be added by expansion cards on the I/O channels to bring the total RAM complement to 16 megabytes. The dynamic RAMs are refreshed by a separate memory refresh controller, unlike the previous PC-type systems, which use DMA to provide refresh. Up to four 16-Kbyte or 32-Kbyte EPROMs can be installed in the computer. Maximum RAM chip access time is 150 nanoseconds.

On Sheets 8 and 8A, two banks of RAM are present in the system. Each bank consists of a high and low byte. Nine RAMs per byte are required: one for each data bit plus one for a parity bit. The respective row and column address signals, RAS0, RAS1, CAS0L, CAS0H, CAS1L, and CAS1H are sent to their respective banks and bytes. Address lines SA0 - SA18 are sent to multiplexers on the left side of sheet 8 to specify the row and column addresses of the memory location. ADDR MUX is delayed 40 nanoseconds from the memory read or write strobe on Sheet 7.

Data to and from the RAMs is transferred over the MD0 - MD15 memory data lines to buffers on Sheet 4. When data is written into the RAMs, RAM WR- is active during the time that data is on the memory data lines.



## **Memory Controller**

The memory controller on schematic Sheet 7 generates control signals necessary to access the locations in memory. 825153A is a custom memory decoder that generates row and column address strobes, and RAM and ROM selection lines. Inputs to this decoder are address lines A17 - A23, REFRESH- from the refresh controller to indicate that a refresh cycle is active, and two lines from switches at SW1 (Sheet 12) indicating how much memory is in the system.

During a memory read or write cycle, the outputs of the memory controller are latched at U15 by ALE. The RAS and CAS signals are sent to gates to generate the row and column address strobes while the RAM and ROM selection lines are sent to enable their respective devices. The MEMR- or MEMW- strobes are also delayed by delay line to stagger the generation of the RAS and CAS signals. MEM CS 16- from the I/O channels indicates a word operation.

CMDLY is sent to the 82288 Bus Controller during I/O operations only to delay generation of the I/O read or write strobes. The RAMs receive their address in a multiplexed fashion; one of 256 row address is applied to the address inputs of the RAM while RAS- is active. Next, one of 256 columns is specified at the address inputs while CAS- is active.

## **Memory Refresh Controller**

Dynamic RAMs must be refreshed at certain intervals in order to retain their data. Refreshing is accomplished by, one at a time, strobing all 128 or 256 row (128 refresh cycle or 256 refresh cycle) addresses of the RAM array.

The TeleCAT-286 can use two types of RAM: either 64Kx1-bit or 256Kx1-bit RAMs. The "128 refresh cycle" RAMs must have all their row address lines strobed (refreshed) within 2 milliseconds if they are to retain their data; "256 refresh cycle" RAMs allow 4 milliseconds for a complete refresh.

Memory refresh controller logic also arbitrates requests to access the memory by the refresh controller and DMA controllers during a CPU cycle. The circuitry to generate refresh signals for memory is located on the bottom half of Sheet 5.

Two signals are necessary to refresh a row of memory: a refresh address and a memory read signal. The refresh address must be incremented from 0 to 255 to refresh all the rows of memory in the system. Every 15 microseconds, Counter Channel 1 of the 8254 on sheet 11 times out to generate REFRESH TIME OUT, which starts the refresh access. Counter LS590 on the bottom of Sheet 5 generates the refresh addresses on the SA0 - SA7 system address lines. The counter is clocked from the REFRESH signal to increment the address on its outputs. The G- input gates the address to the counter's outputs. Incrementing the refresh address also forces a memory read signal as System Memory Read (SMEMR-).

### **Bus Arbitration**

During the time that a row of RAM is being refreshed, the refresh controller places the CPU in a hold state so that it does not try to generate a memory address. When REFRESH TIME OUT occurs and no DMA request is pending on the DMA 2 HRQ line, the refresh controller generates CPU HRQ. When the CPU acknowledges that it is holding (HLDA), the refresh controller gets control of the address bus and generates REFRESH. After a row of RAM has been refreshed, the refresh controller removes the hold request and hands control of the address bus back to the CPU.

Similarly, since the refresh controller is also competing with the DMA controllers for access to the memory, DMA operations must wait until a row of RAM has been refreshed. If the DMA controllers request the address bus while DMA 2 HRQ and REFRESH TIME OUT are active, the arbitration logic ensures that DMA will not be granted its request until a row of memory has been refreshed. Otherwise, the DMA controller will be allowed to take control of the address bus.

### **Parity Logic**

Parity logic is composed of even and odd parity generators on Sheet 9, and several gates and flip-flops. Parity generators operate by examining the bit pattern of a data byte as it is written into a location in RAM on the MD0 - MD7 and MD8 - MD15 memory data lines.

For example, assuming that an even parity is desired, if the bit pattern written into the RAM location contains an odd number of 1 bits (e.g., 00100011) the parity generator for that bank of RAM stores a 1 by generating a 1 on its EVEN output. The EVEN outputs are stored in the RAM as PAR DOUT 0 and PAR DOUT 1. The resulting nine bits stored in RAM then contain an even number of 1s or 00100011(1). When the same RAM location is read back at a later time, the bit from the parity RAM (PAR DIN 0 or PAR DIN 1) is also read.

As long as the parity generator still sees an odd number of 1 bits in the data byte and a 1 in the parity bit, the parity generator will assert its EVEN output (note that since a memory-read operation is taking place, the EVEN output of the parity generator is not stored in the parity RAM; it is just thrown away). If the data bits plus the parity bit do not contain an even number of 1s the ODD output of the parity generator goes high.

The ODD outputs of the parity generators are sent to logic that generates a non-maskable interrupt (NMI) to the CPU. The odd parity bit that caused the error is latched and sent to other gates that generate the NMI input to the CPU. The Q- output of the latch is sent to buffers on Sheet 12 as a parity check signal (PCK on Sheet 12) where it is transferred to the XD7 data line to the CPU. When the CPU receives a NMI, it immediately goes to a software routine that tries to identify which RAM location generated the parity error. An NMI can also be generated by expansion memory hardware on an I/O channel by asserting an I/O channel memory check (IO CM CK-).

### **8237A DIRECT MEMORY ACCESS (DMA) CONTROLLERS**

Direct Memory Access (DMA) of RAM by external devices, such as a disk drive, is provided by a pair of Intel 8237A DMA controllers operating at 3 MHz or 4 MHz. DMA minimizes the time that the CPU must wait for these other I/O devices requiring service. For example, when the CPU wants to read from a diskette, it programs the DMA controller with the number of bytes to be transferred and a memory address at which to start the transfer. The CPU can then return to another task in the system while the DMA controller waits for the data from the disk controller to arrive.

On Sheet 10 of the schematics, two Intel 8237A 8-bit DMA controllers are used in the computer. Operational details of the DMA controllers are given in the Microsystem Components Handbook, published by the Intel Corporation.

Byte data transfer is accomplished by DMA controller 1. Word data transfer is accomplished by DMA controller 2 working with DMA Controller 1. Controller 2 is not used during byte operations.

Each DMA controller contains four channels for supporting I/O devices. DMA controller 1 contains channels 0 - 3, which support 8-bit data transfers. DMA controller 2 contains channels 4 - 7, which support 16-bit data transfers. Channel assignments and programming information are contained in the motherboard programming chapter of this manual.

To operate, the DMA controllers must have control of the address, data, and control busses in the system. When an I/O device requests DMA service by asserting its DRQx line, the DMA controller tries to get control of the busses by asserting DMA2 HRQ.

This signal is sent to the memory refresh generation logic, which grants the request if a memory refresh cycle is not in progress. If a refresh cycle is in progress, the DMA controller will wait. If the refresh cycle is not active, the DMA will take control of the busses.

The DMA controller then asserts a DMA acknowledge (DACK) to the requesting I/O device to indicate that it has been granted a DMA cycle. When the DMA operation is finished, the DMA controller removes its DMA 2 HRQ and the CPU or memory refresh controller resumes control of the busses.

The DMA controllers can address up to 64 Kbytes of memory using 16 address lines. The data lines, shown on the device as D0 - D7, are multiplexed to provide the upper eight bits of the address. Address latches hold the upper eight bits of the memory address while address lines A0 - A7 hold the lower eight bits. The address strobe signals (ADSTB) from controller 1 and controller 2 are used to gate the address latches.

In word operations, data transfers always take place on even-byte boundaries, that is, the least-significant bit of the address is always zero. Therefore, controller 2 outputs its address on the A1 - A16 address lines, while controller 1 uses the A0 - A15 address lines. The D0 - D7 lines are then used to transfer the data to or from the requesting I/O device.

### **Page Registers**

DMA controller 1 can transfer 64 Kbyte blocks of data to a total of 256 blocks (or pages). Using DMA controller 2, 128 Kbyte blocks (64 Kbyte words) can be transferred to a total of 128 byte blocks of memory during each DMA operation.

Using the first DMA controller, the page register at U80 specifies one of 256 pages of memory in the system where the transfer will occur. Using the second DMA, the page register specifies one of 128 pages of memory. The CPU loads the register with the page number on the XD0 - XD7 data lines. When the first DMA has control of the address bus, the page register supplies the page address on the A16 - A23 address lines. When using the second DMA controller, the page address is supplied on the A17 - A23 address lines.

### **DMA Wait-Circuit**

Some slower I/O devices require extra time between DMA cycles. On the left side of Sheet 10 a flip-flop provides a wait-circuit between DMA cycles. The ready (RDY) input to the DMA will go high when the I/O device is ready for the next cycle.

## **ADDRESS AND DATA BUSES**

A 24-bit address bus and an 8/16-bit data bus allow the CPU to communicate with memory, peripheral devices, and its I/O channels, which support up to five circuit boards plugged into connectors on the motherboard. Since a 24-bit address bus is used, up to 16 megabytes of RAM and ROM can be addressed. Furthermore, the CPU can access bytes (eight bits) or words (sixteen bits) depending on the mode selected by software.

To maintain compatibility with the earlier 8088-based PC-type machines, much of the peripheral hardware, such as interrupt controllers, DMA controllers, and serial and parallel printer ports, are 8-bit devices. That is, data transfers between these I/O devices and the CPU occur only in bytes, not full 16-bit words. Also, memory locations can be addressed in either bytes or words. An extensive address and data buffering scheme ensures this compatibility with the PC-type machines.

### **Address and Data Buffering**

The address bussing scheme consists of address latches and buffers that allow the CPU and DMA controllers to provide addresses for memory and I/O devices on the motherboard and I/O channels. On Sheet 3, address lines A1 - A19 are latched as the System Address (SA) lines for use by system memory and I/O devices. Control signals relevant to operation of certain system components are also latched.

Unlatched, buffered address lines A17 - A23 are also made available to the I/O channels for hardware requiring them as LA17 - LA23. After latching, the SA1 - SA15 data lines are sent to two bidirectional buffers on Sheet 4, which provide the XA1 - XA16 address lines to the I/O devices on the motherboard. When DMA is active, the direction of data flow reverses. Also concerning DMA operations, U65 on Sheet 3 also buffers address lines A17 - A19 and four control signals.

Data buffers on Sheet 3 buffer data between the CPU, memory and I/O devices. The buffer handling data bits D0 - D7 is a combination latch and buffer. The CPU is capable of either byte or word operations using 8-bit I/O devices. When the CPU wants to read a word (16 bits) from an 8-bit device, the control logic on the motherboard will generate two read cycles.

The first cycle reads the 8-bit device and latches the lower byte of data. During the second cycle, the CPU reads eight more bits (the high byte) from the device and buffers them through the high-byte (D8-D15) buffer. At that time, the CPU reads both bytes on its D0 - D15 data line. The same process works in reverse when the CPU writes 16 bits of data to an 8-bit I/O device. For 16-bit I/O devices or memory, the lower byte of data is not latched; data is simply transferred between D0 - D15 and SD0 - SD15.

The SD0 - SD15 data lines are sent to two pairs of bidirectional buffers on Sheet 4, U30 and U36, and U47 and U49. For memory addresses, buffer pair U36 and U49 buffers SD0 - SD15 to or from the memory as MD0 - MD15 depending on the state of their DIR inputs. For I/O devices in the system, buffer pair U30 and U47 buffers the SD0 - SD15.

For example, if the CPU is reading 16 bits of data from an I/O device, the lower byte appears at the inputs of U30 on the XD0 - XD7 data lines. The buffer is gated to place the byte on the SD0 - SD7 lines to the latch/buffer on Sheet 3. The high byte then appears on the XD0 - XD7 data lines and is sent through U30 to U47. U47 sends the data to the SD8 - SD15 data lines to the high-byte buffer on Sheet 3.

When the CPU writes data to an I/O device, the process is reversed. Control of buffer U30's DIR and G- inputs is performed by gates in U66 and U93. For external 16-bit I/O devices connected to the eight I/O channels, the SD8 - SD15 lines go directly to the 36-pin I/O channel connectors.



## **8259 INTERRUPT CONTROLLERS**

On Sheet 11 of the schematic, the two Intel 8259A interrupt controllers are cascaded to allow up to 15 I/O devices to request service (interrupt) from the CPU. They are programmed by the CPU using the XD0 through XD7 data lines for data, the XA0 address line to select internal registers, and the XIOR- and XIOW- read and write strobes to control read and write operations.

When an I/O device interrupts, the request is processed within the 8259A's as previously programmed by the CPU. Interrupt priorities are then resolved and any requests for service can be ignored. An interrupt controller asserts INTR to inform the CPU that an I/O device has requested service.

The CPU then interrogates the 8259As to determine which device interrupted. Interrupt requests from such devices as Channel 0 of the 8254 counter/timer appear at an IRO input of the interrupt controller.

Channel 0, a general-purpose interrupt, is assigned the highest priority interrupt line IRQ0. Other interrupts from the I/O channels, keyboard, etc. are assigned lower priority (higher numbered) inputs into the interrupt controllers. Both controllers are tied together by the CAS0 - CAS2 cascade lines. U31 interrupts U21 by sending its INT output to the IR2 input of U21, which in turn asserts INT to the CPU.

The sources of interrupts are from the keyboard, real-time clock, numeric coprocessor, floppy disk controller, hard disk controller, and devices on the I/O bus. A non-maskable interrupt (NMI) directly to the CPU is provided in the event that a parity error occurs in RAM or an error occurs on the I/O bus. Interrupt controller programming information is contained in the motherboard programming chapter of this manual.

## **8254 PROGRAMMABLE TIMER**

On Sheet 11, the 8254 counter/timer has three programmable timer channels. The 8259As are programmed by the CPU using the XD0 - XD7 data lines for data, the XA0 and XA1 address lines to select internal registers, and the XIOR- and XIOW- read and write strobes to control read and write operations.

The 1.19-MHz clock for the counter channels is derived from the 8284 Clock Generator and flip-flop on Sheet 16. Channel 0 generates a general-purpose interrupt to 8259A U20. Every 15 microseconds, Channel 1 issues the REFRESH TIME OUT signal to trigger a memory refresh cycle. Channel 2 provides a square wave to modulate a speaker.

This square-wave output is ANDed with speaker data and sent through an amplifier at Q4 to the J22 speaker connector. TIME OUT 2 is sent to a buffer on sheet 12 to be returned to the system data bus.

## **KEYBOARD CONTROLLER**

An Intel 8042 on Sheet 12 is a single-chip microcomputer that provides the interface between the system data bus and the keyboard. The 8042 contains proprietary firmware to scan the keyboard for depressed keys and to convert the keycodes into standard eight-bit ASCII character codes used by the system's software.

KBD DATA is a bidirectional signal. The signal can be sent either by the 8042 to the keyboard or by the keyboard to the 8042. The KBD CLK signal is sent by the keyboard to the 8042. When a key is depressed, corresponding clock and data are sent back to the TEST 0 and TEST 1 inputs.

The microcomputer then interrupts the CPU via the IRQ1 line to the interrupt controller. The CPU reads the ASCII code on the XD0 - XD7 data lines using the XIOR- read strobe. During system power up the 8042 is reset by the RESET line going high from the 82284 (Sheet 2). When the CPU is in its Protected-Address mode, the 8042 can also recognize a software reset to the CPU (SOFT RESET 286) that will cause it to go into the Real- Address mode.

Also on Sheet 12 and connected to the XD0 - XD7 data lines is a general-purpose latch composed of latch and buffer. The latch and buffer are controlled by IN/OUT BUFF- from the I/O decoder on Sheet 11 and by the XIOR- and XIOW- I/O read and write strobes.

The latch output includes signals to enable a parity check (EN PAR CK), supply a speaker gate to Channel 2 of the 8254A (SPK GATE) and data (SPK DATA), and a I/O channel check line (CH IO CK) to the relevant circuits indicated. The buffer reads several similar signals.

## **RS-232C INTERFACE CHANNEL**

The EIA-standard RS-232C serial channel is controlled by a National 16450 Asynchronous Communications Element. The 16450 supports asynchronous serial communication at standard baud rate increments from 50 to 9,600 baud.

The TeleCAT-286 uses a nine-pin, D-subminiature type connector for interconnection with peripheral devices. Two RS-232C channels can be accommodated in the TeleCAT-286. The assignment of the serial communications port is jumper-selectable to COM1 (Port 1) or COM2 (Port 2). See the "Interface" appendix for pinouts and electrical characteristics of this and other external connectors.

## **RS-232C Serial Port**

On Sheet 14, National 16450 Communications Controller, receivers U1 and U2, and driver U5 implement a standard RS-232C communications channel. The National NS16450 Asynchronous Communication Element performs parallel-to-serial conversion of outgoing data from the XDO - XD7 data lines to the TXD line, and serial-to-parallel conversion of incoming data from the RXD line to the data bus.

The communications controller contains its own baud rate generator clocked by a 1.843-MHz crystal. The driver is a standard 75188 RS-232C line driver carrying signals Transmit Data (TXD), Request to Send (RTS), and Data Terminal Ready (DTR) to the peripheral device.

Similarly, the receivers are standard 75189 line receivers carrying signals Ring Indicator (RI), Receive Data (RXD), Clear to Send (CTS), Data Set Ready (DSR), and Carrier Detect (CDC) from the peripheral device.

## **PARALLEL PRINTER PORT**

The parallel printer port is intended primarily for support of a Centronix-compatible parallel printer, but can be used with other output-only devices if desired. A female, 25-pin D-subminiature type connector is used. All signals are at standard TTL levels. The assignment of the parallel port is jumper-selectable to LPT1 (Port 1) or LPT2 (Port 2). Refer to the "Interface" appendix for pinouts and electrical characteristics.

At the bottom of Sheet 14, the Centronix-compatible parallel printer port is composed of two latches and two buffers. Data sent to the printer from the XDO - XD7 data lines from the CPU are latched by U14 by PAR DATA WR- (Sheet 12) and sent out to connector J17 as DATA0 - DATA7. Buffer U8 is wired across the inputs and outputs of U14 for diagnostic loopback purposes and to test whether LPT1 or LPT2 is selected on the motherboard.

U8 is enabled by PAR DATA RD-. Control signals to the printer are also sent on the system data bus to latch U13. Signals sent to the printer are the data strobe (STROBE), auto line-feed (AUTO FDXT), an initialization line (INIT-), and a printer selection line (SLCT IN-).

These four signals are also sent to buffer U17 and tri-state buffer U12. The incoming status signals include a line to indicate a printer error (ERROR-) printer selection (SLCT), paper empty (PE), a printer acknowledge line (ACK-), and a printer busy signal (BUSY).

## **I/O CHANNELS (SLOTS)**

A total of five I/O channels on the motherboard are used by plug-in boards, such as memory expansion, modems and peripheral controllers, and so forth. Four of the channels provide the plug-in board with two connectors. One 62-pin connector is identical to that used in earlier 8-bit 8088-based PC-type systems, and a smaller 36-pin connector is used to expand bus data transfer capability to a full 16 bits.

Each I/O channel is electrically parallel with the other four channels, as shown on Sheets 15 - 17 of the schematic. The 62-pin connector is functionally identical to that on PC-type systems providing control, address and data lines useful for 8-bit I/O hardware.

A second, 36-pin, connector is compatible with PC AT-type systems providing the control, address and data lines necessary for 16-bit I/O hardware. See the Interface appendix of this manual for pinouts and electrical characteristics.

)

)

)

### **3 HARDWARE FUNCTIONS - DISKETTE/FIXED DISK CONTROLLER**

#### **INTRODUCTION**

The diskette/fixed disk controller connects to the motherboard using one of the 16-bit expansion slots. This single board provides all signals necessary to operate up to two fixed drives and two 5 1/4-inch diskette drives. The controller allows concurrent data operations on one diskette and one fixed disk drive.

This chapter is divided into two sections. The first section is devoted to diskette controller functions. The second section covers fixed disk (Winchester) controller functions.

Diskette/fixed disk controller jumper settings are described in the appendices to this manual.

#### **DISKETTE CONTROLLER**

The diskette control circuitry (see Figure 3-1) is based around the 8272A or NEC D765AC diskette controller chip. The chip provides parallel-to-serial and serial-to-parallel data conversion and drive selecting and head tracking functions. The 8272A diskette controller is programmed to operate in the burst transfer mode. The programming is done by the EPROM during system initialization.

The support 9229B performs all write precompensation functions. The 9229B also separates data and clock pulses that compose the MFM data being read off the diskette to ensure accurate data exchanges with the 8272A.

The bidirectional buffer and the diskette drive latch are important support ICs. They control disk drive selection and starting the diskette motor. These are taken as control words from the system data bus.

The basic functions of the diskette controller circuitry are:

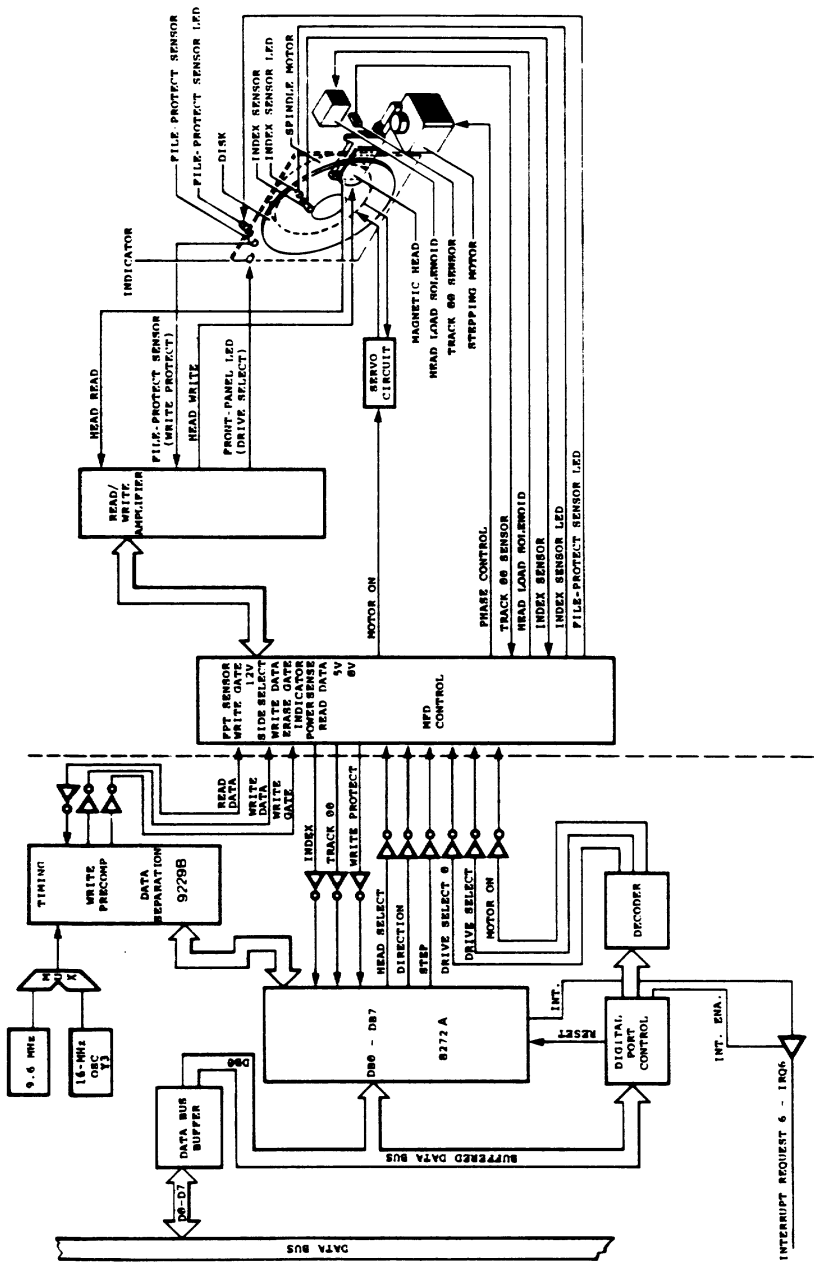
1. Writing data to the diskette
2. Reading data from the diskette
3. Determining where to write on the diskette
4. Turning the drive off and on and selecting drive A or B

Functions 1, 2, and 3 are all controlled by the 8272A diskette controller.



# Diskette Controller

## Figure 3-1



The major components of the diskette controller are:

Intel 8272A Diskette Controller Device  
Diskette Drive Control Latch  
FDC9229B Data Separator

The diskette controller components and their descriptions are listed in Table 3-1.

**Diskette Controller Components**  
**Table 3-1**

| <b>Device or Line</b> | <b>Source/Description</b>  |
|-----------------------|--|
| Diskette Controller   | Provides parallel-to-serial conversion of data from the system to the diskette, and serial-to-parallel conversion from the diskette to the system. Provides all drive control functions, such as head step, head direction, write protect, and track 0 detection. The controller can be programmed to handle seek track, read sector, write sector, read address, read track, and write track operations. The DB0-DB7 Data Transceiver carries data and programming signals between the diskette controller and CPU. |
| -COMP READ DATA       | Diskette Drive. Carries composite read data from the diskette drives.  |
| -COMP WR DATA         | Diskette Controller. Carries composite write data to diskette drives.  |

## Diskette Controller Components

Table 3-1 (continued)

| Device or Line         | Source/Description   |
|------------------------|--|
| Diskette Drive Control | Controls the selection of the diskette drive, turning the motor on/off, enabling/disabling interrupt, enabling/disabling DMA operation, and resetting the diskette controller. |
| Data Separator         | Performs write precompensation and data separation.  |

## FIXED DISK (WINCHESTER) CONTROLLER INTERFACE

The major components of the Winchester controller interface and their descriptions are listed in Table 3-2.

A block diagram of the Winchester controller interface is shown in Figure 3-2.

Fixed Disk (Winchester) Controller Interface Components  
Table 3-2

| Device or Line                                      | Source/Description   |
|---|--|
| Data/Address Transceiver and Control Signals Buffer | The transceiver and buffer pass data, and control signals to an external Winchester disk controller board. |
| WD0-WD7   | Data/Address Transceiver. Buffered data lines to the Winchester controller board.                          |
| WA0-WA2   | Control signals buffer. Buffered address lines to the Winchester controller board.                         |

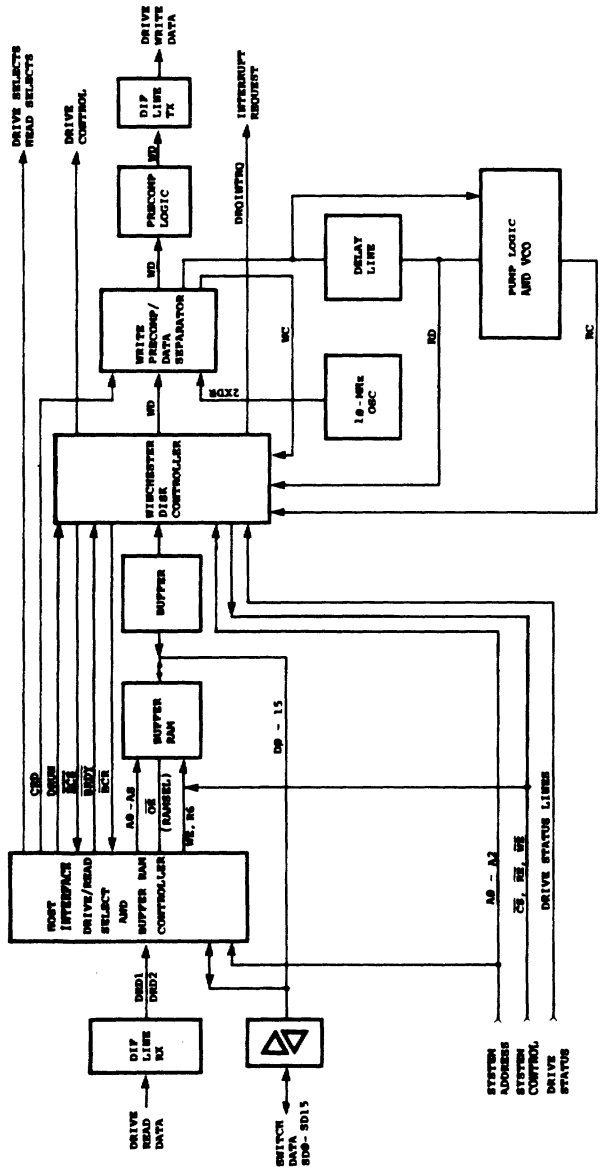
**Fixed Disk (Winchester) Controller Interface Components  
Table 3-2 (continued)**

| <b>Device or Line</b>              | <b>Source/Description</b>  |
|------------------------------------|--|
| -WCS,-WWE,<br>-WRE,WMR,<br>-WDC,RD | Control signals buffer.<br>Buffered control signals to the<br>Winchester controller board. |

**FIXED DISK (WINCHESTER) CONTROLLER**

The Winchester disk controller provides all control and data handling functions needed to interface the system with a 5 1/4-inch Winchester disk drive. Figure 3-2 shows a block diagram of the Winchester disk controller board.

Fixed Disk (Winchester) Controller Board Block Diagram  
Figure 3-2



The major components of the fixed disk controller are:

WD1010-05 Winchester Disk Controller  
WD1100-10 Write Precompensation and Data Separator  
Buffer RAM (two provided)  
Error Amplifier  
Pump Logic  
Voltage Controlled Oscillator (VCO)  
Differential Line Receiver  
Differential Line Transmitter

### **System/Controller Interface**

The system programs the Winchester disk controller by accessing the task file registers of the WD1010-05 controller device.

The system/controller interface lines are shown in Figure 3-2.

Table 3-3 lists the system/controller interface components and their descriptions.

### **System/Controller Interface Components** **Table 3-3**

| <b>Active Line</b> | <b>Source/Description</b>   |
|--------------------|---|
| A0 to A2           | System. Task file register address.   |
| -WE or -RE         | System. -WE to activate task file write, or -RE to activate task file read. |
| SD0 to SD15        | System. Data or command.  |

## Operations With Dual-Port Buffer RAM

The Winchester disk controller uses dual 1 kilobyte by 8-bit buffer RAM to interact with the system during disk read and write operations. When writing to the disk, the system writes the data to the buffer RAM by sector. After a sector of data is loaded into the buffer RAM, the WD1010-05 writes the data from the buffer RAM to the disk. Table 3-4 lists the write from buffer RAM signals.

### Write from Buffer RAM

Table 3-4

| Active Line | Source/Description  |
|-------------|---|
| SD0 to SD15 | System. Sets up the Task File Register and the Write Sector command in the WD1010-05 task file and writes data to buffer RAM. |
| -BCR        | WD1010-05. Strobed to zero counter.   |
| BDRQ        | WD1010-05. Active to indicate that the buffer RAM is empty.   |
| -BCS        | WD1010-05. Set high to enable the host control of buffer RAM. Transceiver direction is ready for write.                       |
| -WE         | System. Loads the buffer and increments the counter with - HDCS.  |
| BRDY        | Active to indicate the buffer is full.  |

**Write from Buffer RAM**  
**Table 3-4 (continued)**

| <b>Active Line</b> | <b>Source/Description</b>   |
|--------------------|---|
| -BCS               | WD1010-05. Active to disconnect the host control of the buffer RAM. Board busy tristate buffer on line WD7 is activated by -BCS to prevent the system access during the next operation. |
| -WDRE              | WD1010-05. Reads the buffer RAM to transfer data to disk (See Writing Disk Data).   |
| -BCS               | WD1010-05. Set high to allow the next operation by the system. Board busy tristate buffer is inactive.  |
| INTRQ              | WD1010-05. Signals the end of the command to the system.  |

Reads of dual-port buffer RAM occur after a sector of data has been loaded to the RAM from the disk. For a read from buffer RAM, see Table 3-5.

**Read from Dual-Port Buffer RAM**  
**Table 3-5**

| <b>Active Line</b> | <b>Source/Description</b>  |
|--------------------|--|
| SD0 to SD15        | System. Sets up the Task File Registers and places the Read Sector command in the WD1010-05 task file. |
| -BCS               | WD1010-05. Active to disconnect the host control of buffer RAM.  |
| -BCR               | WD1010-05. Strobed to zero counter.  |



## Read from Dual-Port Buffer RAM

Table 3-5 (continued)

| Active Line | Source/Description  |
|-------------|---|
| -WDWE       | WD1010-05. Loads the buffer from the disk (See Reading Disk Data), and increments the counter with -CS. |
| BRDY        | Active to indicate that the buffer is full.   |
| -BCS        | WD1010-05. Set high to enable the system control of buffer RAM.   |
| BDRQ        | WD1010-05. Active to initiate transfer to the system.   |
| -RE         | System. Reads buffer RAM and increments the counter with -CS.   |
| BRDY        | Active to indicate that the buffer is empty.  |
| INTRQ       | WD1010-05. Set high to stop the operation.  |

### Writing Disk Data

The write sector command requires that the Winchester controller locate the place on the disk that is to receive the data. The command also controls the write operation to buffer RAM. It must then read the data from the buffer RAM, condition the data into MFM format, and write the data to disk.

Under MFM, clock bits are recorded only when two successive data bits are missing in the serial data stream. Using MFM reduces the total number of bits required to record a given amount of information on the disk. Because this effectively doubles the amount of disk capacity, it is termed "double density."

Encoding MFM follows three rules:

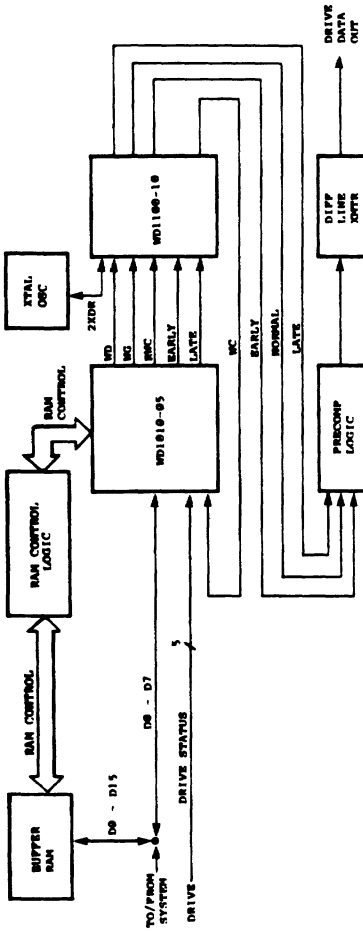
1. If the current data cell contains a data bit, then no clock is generated.
2. If the previous data cell contained a data bit, then no clock is generated.
3. If the previous data cell and the present data cell are vacant, then a clock is generated in the current clock cell.

Data and clock cells are defined by the state of the write clock (WC) line. If WC is low, it is a data cell; if WC is high, it is a clock cell. Both clock and data cells are 100 nanoseconds long in ST506-compatible drives.

The active lines for writing disk data are shown in Figure 3-3 and listed with a description in Table 3-6.

# Writing Disk Data

## Figure 3-3



## Writing from Buffer RAM

Table 3-6

| Active Line   | Source/Description   |
|---------------|--|
| D0 to D7      | System. Contains the write sector command. When the WD1010-05 receives this command, it checks its cylinder registers against the current cylinder position.   |
| -BCR          | WD1010-05. Strobed to begin write to buffer RAM by the system.   |
| BRDY          | Buffer RAM is full.  |
| -BCS          | WD1010-05. Active to disconnect the host control of the buffer RAM.  |
| -STEP,-DIRET  | WD1010-05. Moves head to locate cylinder.  |
| SEEK COMPLETE | Drive. Informs the WD1010-05 that the head settling time for the current step is expired. If the current step is not the required cylinder position, the head is moved again. After seek to desired cylinder, the controller checks for the desired sector address by reading data from the drive. |
| WG            | WD1010-05. Write gate signal to WD1100-10.   |
| WC            | WD1100-10. Carries the 5-MHz write clock, derived from the 2XDR clock signal, to WD1010-05.  |
| -RWC          | WD1010-05. Reduced write current signal; turns on precompensation circuits for write to disk.  |

**Writing from Buffer RAM**  
**Table 3-6 (continued)**

| <b>Active Line</b> | <b>Source/Description</b>  |
|--------------------|--|
| -WD                | WD1010-05. Write data as read from buffer RAM and serialized by WD1010-05.   |
| -EARLY, -LATE      | <p>WD1010-05. Precompensation signals to WD1100-10.</p> <p>Precompensation is used to counteract the effects of dynamic bit shift when writing the inside recorded tracks of the disk. Dynamic bit shift results when a bit on the disk influences the position of an adjacent bit. The leading edges of the bits are moved closer together, or further apart, depending upon the polarity of each bit. Because positions of bits shift as they are written to the disk, data is harder to recover without error. Write precompensation is applied to counteract the effects of dynamic bit shift.</p> <p>Precompensation predicts the direction a bit will be shifted. It then writes the bit out of position in the opposite direction of the shift. The prediction is done in the WD1010-05 by checking the next two data bits, the last bit written and the present bit.</p> |

**Writing from Buffer RAM**  
**Table 3-6 (continued)**

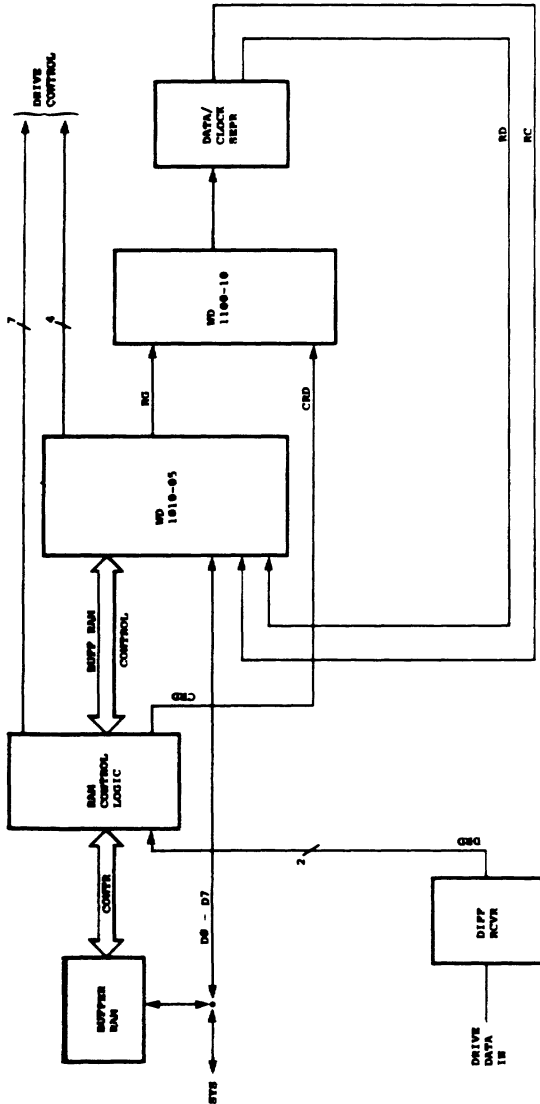
| <b>Active Line</b>   | <b>Source/Description</b>   |
|----------------------|---|
| EARLY, NORMAL, LATE- | WD1100-10. Precompensation signals to precompensation logic. Data is shifted +/-12 nanoseconds from the normal position through a delay line. |
| Data                 | Differential Line Driver. Carries MFM formatted, precompensated, RS-422 write data to the drive head.   |
| -BCS                 | Set high to allow the next operation by the system.   |

**Reading Disk Data**

For disk reads, the Winchester disk controller board locates the sector to be read, identifies the start of the data field, reads the data in from the disk, separates the data and clock signals, writes the data to buffer RAM, and controls the system read of the data out of buffer RAM.

The active lines for reading disk data are shown in Figure 3-4 and listed with a description in Table 3-7.

Reading Disk Data  
Figure 3-4



**Disk Data  
Table 3-7**

| <b>Active Line</b> | <b>Source/Description</b>  |
|--------------------|--|
| D0 to D7           | System. Contains read sector command. When the WD1010-05 receives this command, it checks its cylinder registers against the current cylinder position.  |
| -BCS               | WD1010-05. Active to disconnect host control of buffer RAM. Board busy tristate buffer on line WD7 is activated by -BCS to prevent system access during the next operation.  |
| -STEP,-DIRET       | WD1010-05. Moves head to locate cylinder.  |
| -SEEK COMPLETE     | Drive. Informs WD1010-05 that head settling time for the current step is expired. If the current step is not the required cylinder position, the head is moved again. After seek to desired cylinder, controller checks for desired sector address by reading data from the drive. |



## **4    HARDWARE FUNCTIONS - STREAMING TAPE       INTERFACE BOARD**

### **INTRODUCTION**

The optional TeleCAT-286 Streaming Tape Interface (STI) Board serves as a bridge between the TeleCAT-286 system and the tape drive's standard built-in QIC-02 interface board. The STI operates in any of the TeleCAT-286 motherboard's 16-bit expansion slots. The STI is designed to perform a multitude of tasks with minimal programming by the host computer. The system CPU programs the Direct Memory Access (DMA) Controllers with the tasks, and interface board hardware executes the DMA instructions. The tape interface board requires 512 Kbytes of system RAM to maintain the streaming tape operation.

The tape interface board features jumper selectable interrupt request (IRQ), data request (DRQ), and data acknowledge (DACK) signals. The interface board also selects one of four different base addresses using the J5, J6, and J7 jumpers.

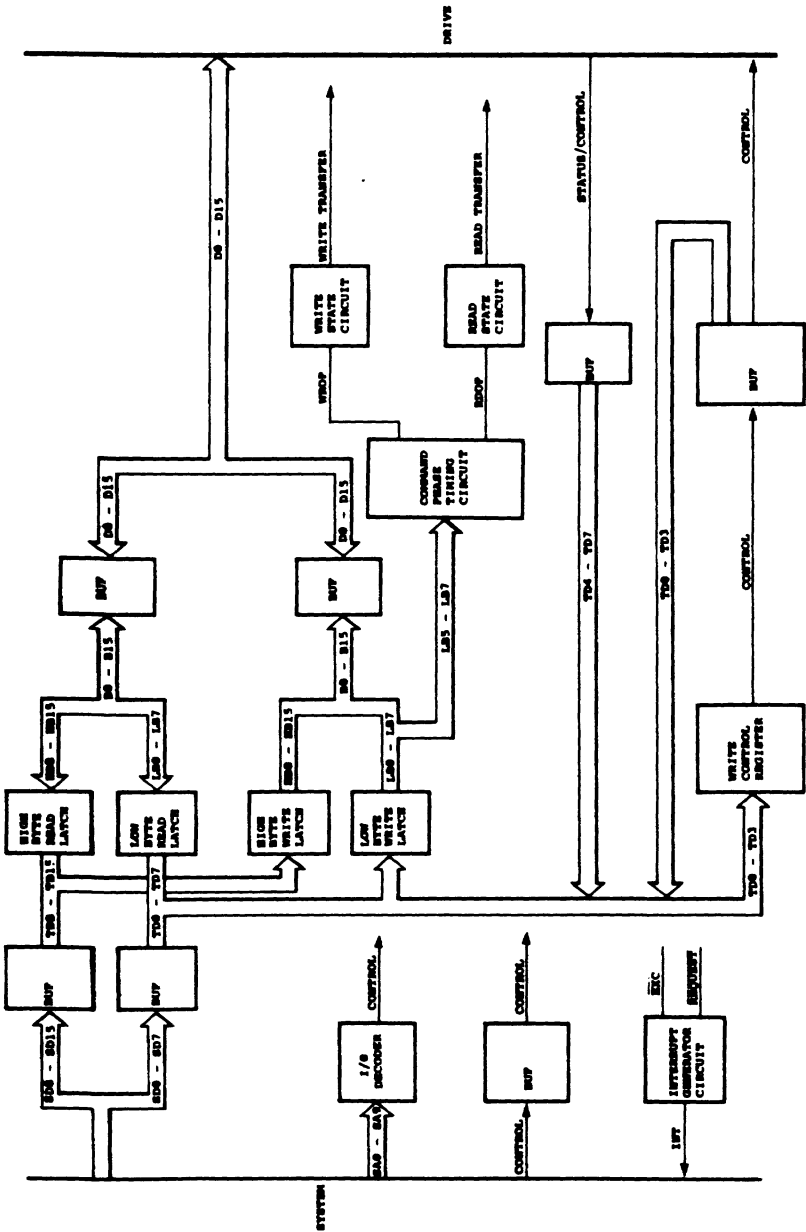
These jumper selectable signals provide the flexibility to operate the system using a variety of available signal lines and address locations. Tape drive jumper settings and specifications are described in the appendices to this manual.

The tape interface circuitry has several basic functions:

1. I/O interface between the system motherboard and tape drive.
2. Read and write interface timing.
3. Providing tape drive status information to the system.
4. Data transfer.
5. Writing data to the tape drive.
6. Reading data from the tape drive.

Figure 4-1, Tape Interface Board Block Diagram, shows the major functional blocks of the tape interface board.

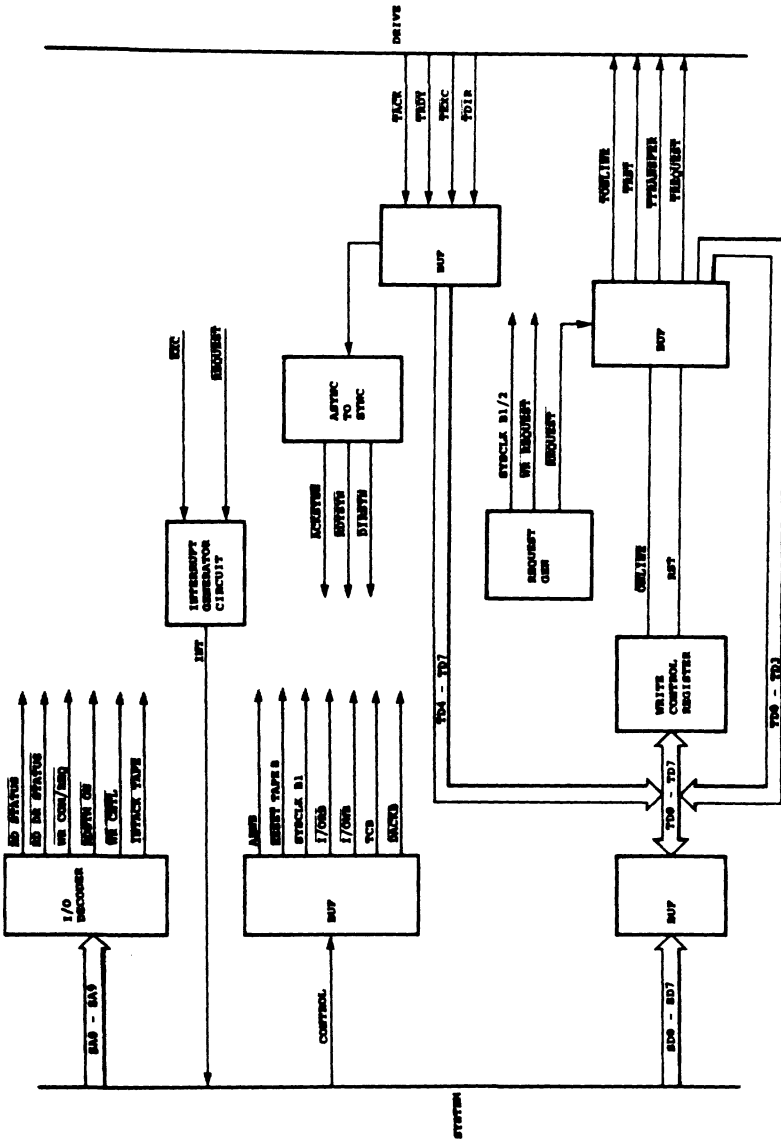
Tape Interface Board Block Diagram  
Figure 4-1



## **I/O INTERFACE**

The tape interface board communicates with the TeleCAT-286 system using address decoding, control signal buffer and interrupt generation logic. Interface board and tape drive communication is conducted by write control, request generation, and status buffer logic. See Figure 4-2, I/O Logic Block Diagram, during the following discussions.

I/O Logic Block Diagram  
Figure 4-2



## System Interface

From lines SA0 - SA9, address decoding logic translates the jumper selectable base addresses 108, 118, 208, or 218 hex, and offset address 0 - 3. The output of the decoder enables one of six I/O ports for read, write or interrupt acknowledge operations. Table 4-1 lists the decoded control signals with a description of their function.

### I/O Decoder Control Signals

Table 4-1

| Active Signal | Description  |
|---------------|--|
| RD STATUS-    | Read Status low. This signal is used as input to logic which enables the read data latches.  |
| RD DR STATUS- | Read Drive Status low. This signal enables the drive status buffers for data lines TD0-TD7.  |
| WR COM/REQ-   | Write Command Request low. In the low state, WR COM/REQ- provides input to logic which clocks the write data latches. When high, this bit is input to the request generator. |
| RD STM ON-    | Read State Machine On low. When active, RD STM ON- switches interface circuitry to the read operation mode.  |

**I/O Decoder Control Signals**  
**Table 4-1 (continued)**

| <b>Active Signal</b> | <b>Description</b>  |
|----------------------|---|
| WR CNTL-             | Write Control low. WR CNTL- clocks the TD0-TD3 input to write control register.   |
| INTACK TAPE-         | Tape Interrupt Acknowledge low. INTACK TAPE- resets interrupt request logic after a system interrupt from the STI board is generated. |

A buffer drives additional control signals to the tape interface board from the system, including the jumper selectable DACK- line. DACK- acknowledges a DMA request from the STI and resets logic circuits on the board. Table 4-2 lists the buffered control signal output with a description of the signal functions.

**System Control Signals**  
**Table 4-2**

| <b>Active Signal</b> | <b>Description</b>  |
|----------------------|---|
| AENB                 | Address Enable. This line is inverted and used to enable I/O decoder and data buffer logic.                     |
| RESET TAPE B         | Reset Tape. Interface board logic converts this signal to RESET ALL-, which is used as the master reset signal. |
| SYSCLK               | System clock. SYSCLK is inverted to become SYSCLK B1- and used as the master clock signal on the board.         |

**System Control Signals**  
**Table 4-2 (continued)**

| <b>Active Signal</b> | <b>Description</b>  |
|----------------------|---|
| I/ORB-               | Input/Output Read low-. This bit determines the direction of data flow in the SD0-SD7 and SD8-SD15 data buffers and provides input to decoder and data latch logic. |
| I/OWB-               | Input/Output Write low. When active low, this bit provides input to I/O decoder logic and write operation logic.  |
| TCB                  | Terminate Count. The buffered T/C signal (TCB) generates a kill (KILLMODE) signal to command phase timing logic which halts a read or write operation.              |
| DACKB-               | Data Acknowledge low. DACKB- is sent once data is ready to be written to, or read from, the interface board.  |

STI board operations are controlled by interrupt driven logic. An interrupt is sent to the system after each command is executed. This end-of-command interrupt is initiated by REQUEST- to the interrupt generator. The generator uses one of four request lines, IRQ10-IRQ12 or IRQ15, to interrupt the TeleCAT-286 system. The IRQXX line is selected by a jumper connection on the STI board. Refer to Appendix D for tape drive jumper information.

An interrupt is also generated if the tape drive experiences difficulties during execution of a command. In this case, an exception (EXC-) signal is input to the interrupt generator and an interrupt request is sent to the system.



## **Tape Drive Interface**

I/O interface logic between the STI board and the tape drive includes write control register, buffers, and request generation logic.

The write control register receives data on TD0-TD3 lines. Part of the register output provides the on-line (ONLINE-) and reset (RST) signals to the write control register buffer.

The buffer in turn provides control signals to the tape drive and status information to the system. Table 4-3 is a list of the buffered control signals.

**Control Signals Sent to the Tape Drive**  
**Table 4-3**

| <b>Active Signal</b> | <b>Description</b>  |
|----------------------|---|
| TONLINE-             | On-line low. This signal holds the tape drive in an on-line status during read or write operations.   |
| TRST-                | Reset low. TRST- resets the tape drive.   |
| TTRANSFER-           | Transfer low. When active, this signal controls the transfer timing during read or write operations.  |
| TREQUEST-            | Request low. This signal controls timing for commands to, or status information from, the tape drive. |

The rest of the write control register output is fed back through the buffer and returned to the system as status information on the TD0-TD3 lines. The status buffer is enabled by RD DR STATUS- from the I/O decoder.

Another buffer receives signals from the tape drive and transfers them as status information to the system on the TD4 - TD7 data lines. It also is enabled by RD DR STATUS- from the I/O decoder. Table 4-4 provides a description of the signals received from the tape drive.

**Control Signals Received from the Tape Drive**  
**Table 4-4**

| <b>Active Signal</b> | <b>Description</b>  |
|----------------------|---|
| <b>TACK-</b>         | Acknowledge low. When buffered, this signal is used on the interface board as ACKB-. When active, ACKB- controls timing during tape transfer operations and signals the end of a transfer operation. Part of ACKB- is inverted and used as input to generate a read transfer operation. |
| <b>TRDY-</b>         | Ready low. Buffered as RDYB-, this signal is used for tape command or data transfer timing. Ready low active indicates that the tape drive is ready to read or write the next block of data or to accept another command.   |
| <b>TEXC-</b>         | Exception low. Used on the interface board as EXCB-, an active low from this signal indicates a problem with the tape drive.  |
| <b>TDIR-</b>         | Direction low. When low, buffer signal DIRB- indicates status information or data can be read from the tape drive. When this line is high, data can be written to the tape drive.   |

Three of the signals received from the tape drive are sent to the asynchronous to synchronous converter. The converter is clocked by SYSCLK B1. ACKB-, RDYB-, and DIRB- are input to the converter and output as ACKSYN-, RDYSYN-, and DIRSYN-, ACKSYN- and its inverted ACKSYN are used as input to generate read and write operation signals. RDYSYN- is used as input to write operation, request generation, and interrupt generation logic. DIRSYN- determines a read or write operation and the direction of data flow to the D0 - D15 read and write buffers.

A request generator, composed of flip-flops, controls the send command timing. The REQUEST- output of the generator causes an interrupt to system. This interrupt signals the system that the interface board is at the end of the present command; then the interface board is ready to accept another command. The REQUEST- output of the generator is buffered to the tape drive as control signal TREQUEST-.

Other outputs of the request generator are write request (WR REQUEST-). WR REQUEST- is used to gate command phase timing logic for read or write operations. SYSCLK B1/2 provides timing control to the read state circuit.

## **WRITE STATE OPERATION**

When writing to the tape drive, write state circuitry provides the signals necessary to initiate, conduct, and terminate the tape streaming operation. Refer to Figure 4-3, Write State Operation Block Diagram, in the following discussions.

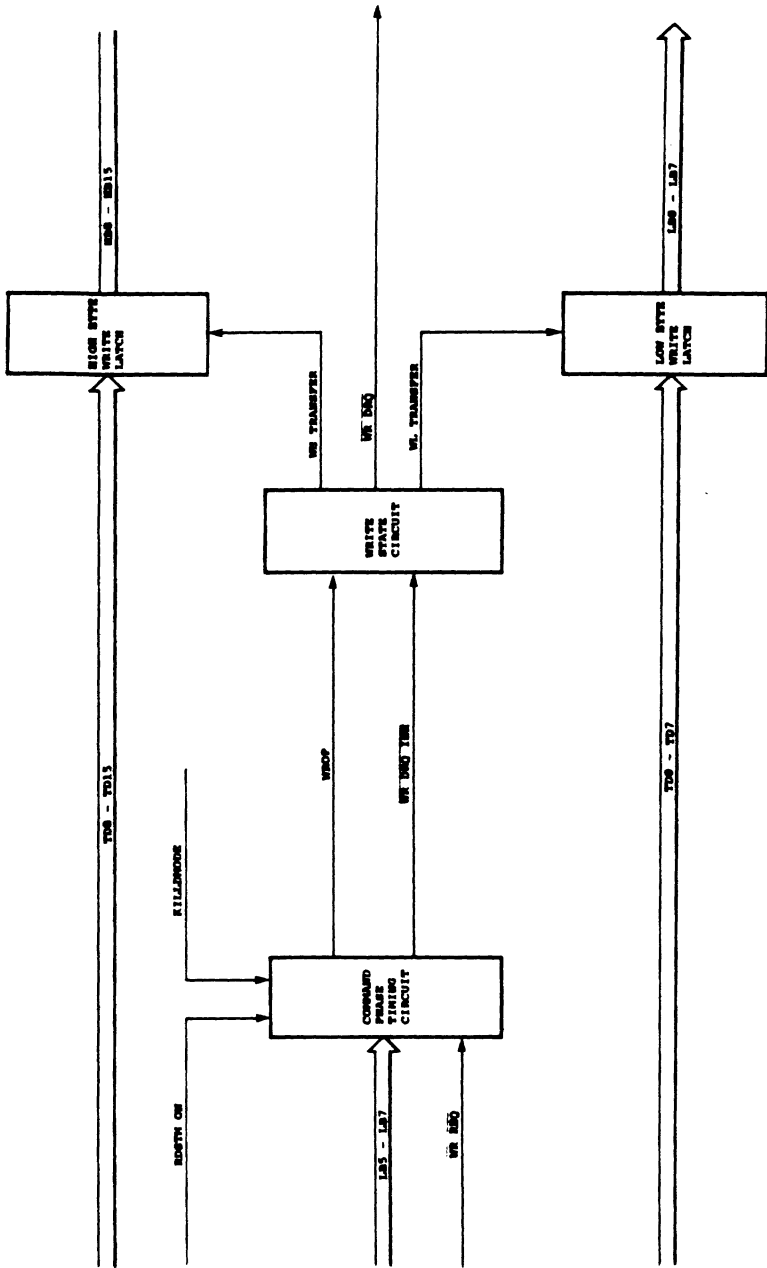
Before the tape drive enters the read or write streaming operation, command phase timing circuitry must generate read or write operation signals. The command phase timing circuit receives a write request, WR REQ-, from the request generator and simultaneously decodes a command from the LB0-LB7 data lines.

The high and low data mode (DMODE) outputs of the command phase circuit are ANDed with DIRSYN- to yield the write operation (WROP) and read operation (RDOP) signals to the write or read state circuits.

Once the write state circuit is activated, a write data request (WR DRQ-) is sent to the DMA and write-low transfer (WL TRANSF) is generated to enable the low-byte write data latch. Write state circuitry switches to the high byte, and a write-high transfer (WH TRANSF) signal is sent to enable the high-byte data latch. The transfer cycle continues until a terminate count (TCB) signal is received from the system.

To prevent generation of data request signals after TCB is received from the system, a write data request inhibit (WR DRQ INHIB-) signal is sent to the write control circuit. Simultaneously, KILLDMODE switches off the control timing circuitry and terminates the write operation.

Write State Operation Block Diagram  
Figure 4-3



## **READ STATE OPERATION**

Read state circuitry functions similarly to write state circuitry. See Figure 4-4, Read State Operation Block Diagram, during the following discussion.

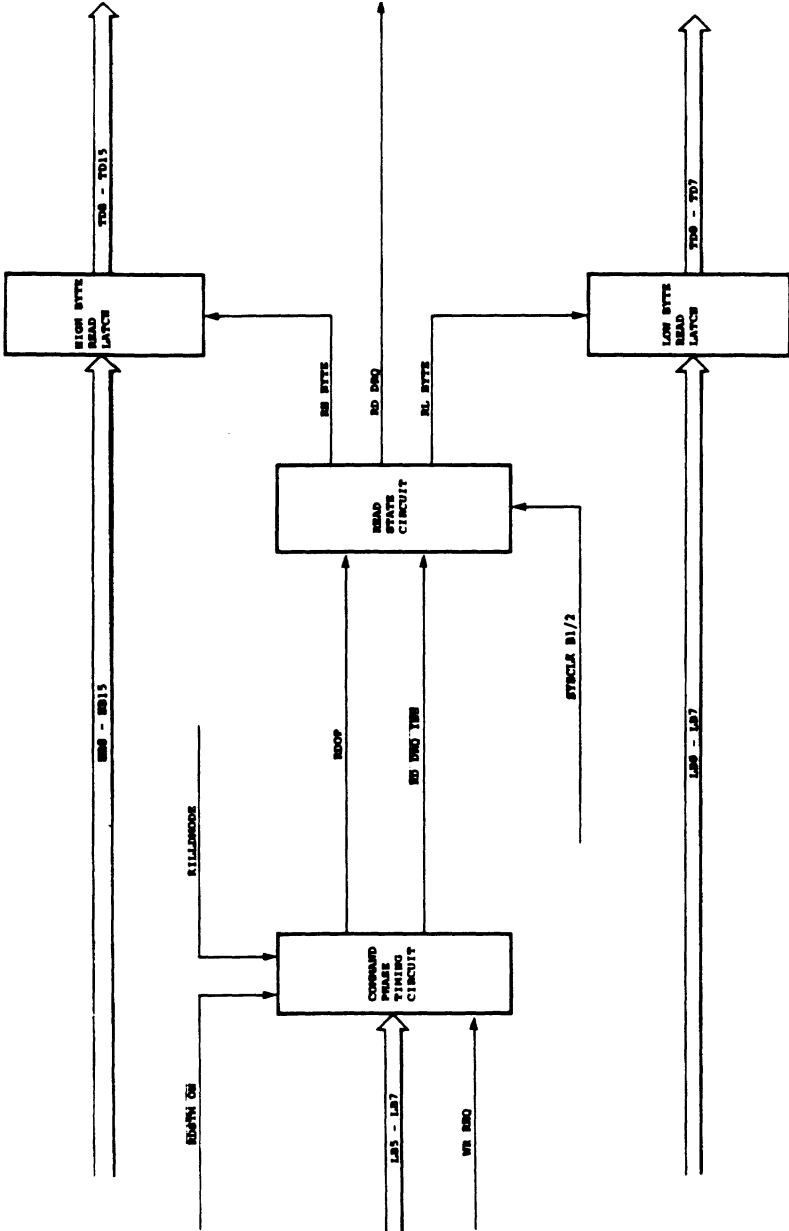
Read state circuitry is activated by RDOP from the command phase timing circuit. When the interface board enters the read data mode, a read data request (RD DRQ) is generated and one word is transferred to the read data latches.

A high and low byte pointer, produces the read-low byte (RLBYTE) and read-high byte (RHBYTE) signals needed to clock data into the latches. The read latches are enabled by the DMA I/O read (I/ORB-) operation from the system.

The read operation terminates when the DMA is exhausted and generates a terminate count message to the interface board.

To prevent generation of data request signals after TCB is received from the system, a read data request inhibit (RD DRQ INHIB-) signal is sent to the read state circuit. Simultaneously, KILLDMODE switches off the control timing circuitry and terminates the read operation.

Read State Operation Block Diagram  
Figure 4-4



## **DATA TRANSFER**

The tape interface board contains no on-board memory. Data transfer is accomplished using the system RAM as a buffer. Buffer memory locations are pointed to and accessed by the DMA.

On board the STI, a latch and buffer system allows 16-bit data transfer between the STI and DMA controller and 8-bit data transfer between the STI and tape drive.

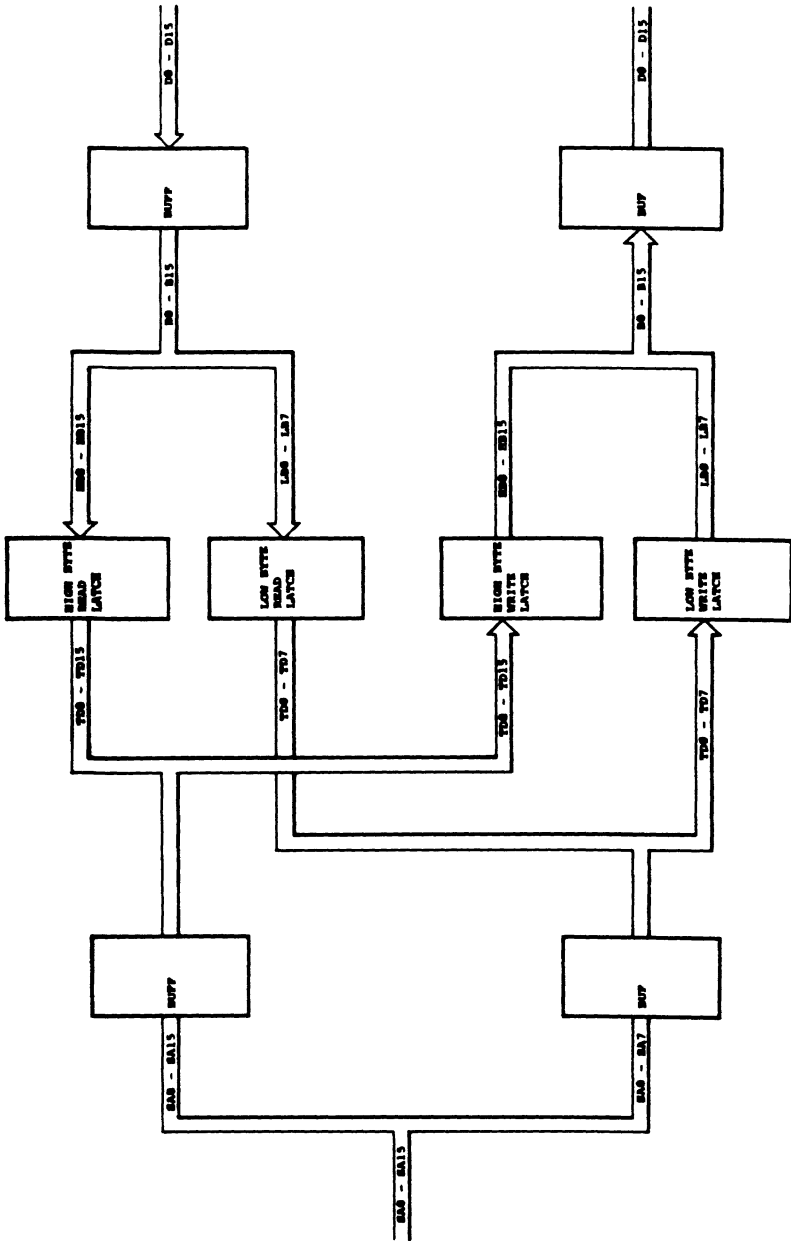
Data transfer occurs in blocks of 512 bytes to the tape drive or blocks of 256 words from the DMA, and vice versa. The interface board can transfer from 1 to 250 blocks of data under one command if the DMA is programmed to do so.

### **Data Buffers and Latches**

Data transfer on the interface board is accomplished by a series of data buffers and latches. Physically, there are four buffers and four latches carrying the data signals. See Figure 4-5, Latch and Buffering Scheme Block Diagram, during the following discussions.



Latch and Buffering Scheme Block Diagram  
 Figure 4-5



When writing information to the tape drive, bidirectional buffers transmit data over the SD0 - SD15 data lines to the low and high byte latches. The SD0 - SD7 buffer transmits data to the low byte read latch and low byte write latch. The SD8 - SD15 buffer transmits data to the high byte read latch and high byte write latch.

If the write operation is activated, data will be latched by the high and low byte write latches. The buffered SD0 - SD15 output of this latch pair is gated by DIRSYN and sent to the tape drive.

If a read operation is activated, buffered data from the tape drive is gated DIRSYN- and transferred to the high or low byte read latch. When both buffers are full, the high and low bytes of data are transferred simultaneously to the system.

## 5 HARDWARE FUNCTIONS - HIGH RESOLUTION COLOR GRAPHICS BOARD

### INTRODUCTION

The TeleCAT-286 High-Resolution Color Graphics Board (HRCGB) can replace the IBM Monochrome Display and the IBM Color/Graphics Monitor Adapter while adding improvements not provided by either board.

As shown in Figure 5-1, TeleCAT-286 High-Resolution Color Graphics Board Block Diagram, the HRCGB contains the following major functional blocks:

- \* The I/O Channel Interface buffers data and control signals to and from the I/O channel, and provides system CPU's I/O address decoding to control the logic used on the HRCGB.
- \* The Motorola 68B45P CRT Controller (CRTC) provides control of the raster scan video display (CRT) as well as video RAM refresh timing and cursor control. The CRTC is programmed by the system CPU for display parameters, such as horizontal and vertical image size, retrace periods in the display, and so forth.
- \* The Clock Generation and Display Memory Timing Logic generates various clock and synchronization signals for the CRTC, display memory and display logic.
- \* A Display Memory contains up to 128 Kbytes of 16-bit alphanumeric or graphic words, representing the video map. The display memory is updated by the system CPU, read, and refreshed by the CRTC for display on the CRT.

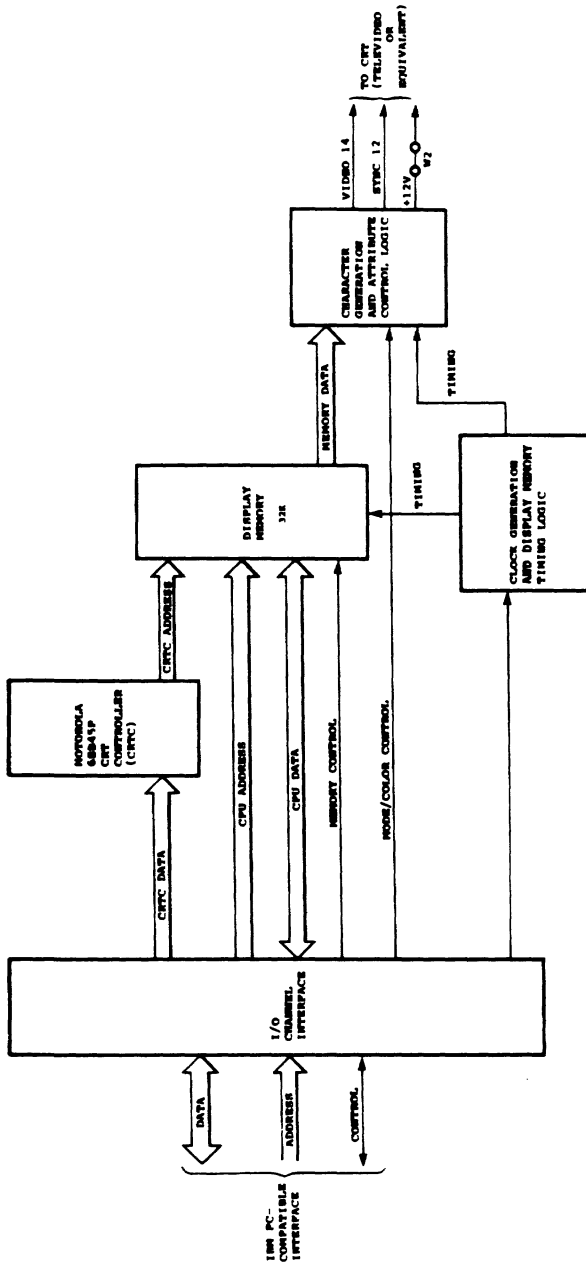
- \* The Character Generation and Attribute Control Logic converts data from the display RAM to characters or video attributes and sends them to the video display logic in an alpha mode. In the graphics-mode, data is shifted directly to the video display.

The HRCGB supports five display formats in two modes. The alpha mode supports, 40 characters by 25 lines or 80 characters by 25 lines. The graphics mode supports IBM-compatible formats of 320 by 200 pixels and 640 by 200 pixels. In addition, TeleVideo graphics software supports a high-resolution 640 by 400 and 320 by 400 pixel format.

HRCGB specifications and configuration information are listed in the appendices to this manual.

# High-Resolution Color Graphics Board Block Diagram

Figure 5-1



In the following discussions, note that sheet numbers refer to the graphics board schematics.

## **I/O CHANNEL INTERFACE**

See Figure 5-2, I/O Channel Interface, CRTC, and Clock Generation Logic Block Diagram and graphics board schematic diagrams during the following discussions.

At the top schematic Sheet 1, I/O address decoding logic enables operation of the HRCGB at hexadecimal addresses 3B0 - 3BF and 3D0 - 3DF, which correspond to those used by the IBM Monochrome Display and the IBM Color/Graphics Monitor Adapter, respectively. Since the HRCGB has no parallel printer port, it does not respond to hexadecimal addresses 3BC - 3BF. Those addresses can be allocated to another parallel printer port, if desired.

CPU addresses CA15 - CA19 are decoded at U46 to address memory control circuits. Address lines CA4 - CA9 perform additional I/O address selection for decoders U69 and U70.

The pin 9 and 10 outputs U69 provide for selection of hexadecimal addresses 3BX or 3DX. U70 provides enable signals for the mode control register (MODECNT-), color control register (COLCNT-), and the status bits (STATUS-) and card present (CARD-) to the logic on Sheet 3.

On sheet 3 of the schematics, eight bits of data as SD0 - SD7 (System Data 0-7) on I/O channel lines A9 - A2 are sent to bidirectional data buffer U79. U79 is enabled by the I/O address decoding logic at U70 whenever a data transfer is taking place between the system CPU and the graphic I/O, or the system CPU and the display RAM. The direction of data transfer is determined by U46 (Sheet 1).

From buffer U79, data is transferred on the Graphic Data 0 - 7 (GD0 - GD7) lines to the display memory or I/O control. Data going to the CRTC passes through PROM U64 or data buffer U57 for data conversion.

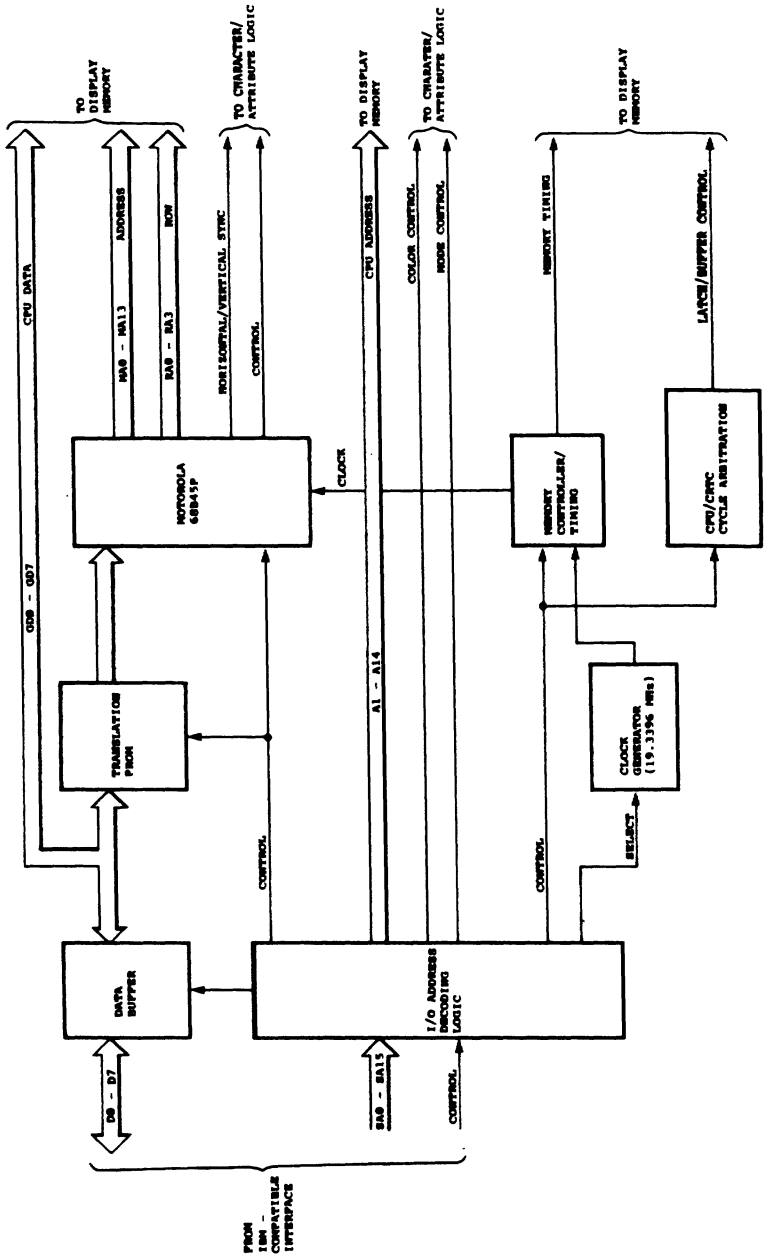
U64 is selected along with the CRTC and contains 512 bytes of data. That data is used as a translation table for incoming commands from software originally written for IBM hardware.

Buffer U57 allows software written specifically for the HRCGB to directly control the CRTC. U57 is selected by the CRT data enable (CRD EN-) line from U70.

The commands from U64 and U57 tell the CRTC, for example, how many horizontal lines are to be traced across the display, the number of retrace lines, and the cursor position. When the high-order address line at pin 19 of U64 is high, the incoming IBM-compatible parameter on GD0 - GD7 addresses a location that translates to the necessary parameter required for the selected high-resolution color monitor.

# I/O Channel Interface, CRTC, and Clock Generation Logic Block Diagram

Figure 5-2





The commands from the outputs of PROM U64 or data buffer U57 are sent to the DB0 - DB7 data inputs of the CRTC.

On the left side of Sheet 3, color control register (U56) and mode control register (U50) are fed by the GD0 - GD7 data lines. The 8-bit color control register is clocked by the Color Control (COLCNT) bit from decoder U70 on Sheet 1 and provides six bits of color control information (COLOR SLT, BGI, OSI, OSR, OSG, and OSB), "400L" to control display memory addressing when the 640 by 400-line graphics mode is selected, and graphics memory test (GMTEST).

Latch U50 is clocked by the Mode Control (MODE) bit from decoder U70. The six mode control bits are blink enable (BLINK EN), horizontal mode selection (640B/C-), video enable (VID EN), monochrome enable (B&W), graphics mode enable (GRAPH), and high-resolution enable (HIGH). Both registers are cleared by the master reset line (RESET-) upon system power up.

In place of the CRTC status register, which is not used, three bits of status information for the system CPU are provided at U78. CARD- attached to GD7 indicates that the HRCGB is in the system. Two other bits, which are enabled by status read (STS RD) from decoder U70 are a vertical retrace check bit (VSYNC) at GD3 and a system display cycle bit (SCDE-) at GD0.

When the system is using IBM software, it is assumed that one of the IBM display adapters is used. U78 is read periodically by the software to determine when the system CPU can access display memory. Because of the cycle arbitration scheme used (Sheet 2), the HRCGB allows a CPU cycle at any time. The SYNC and SCDE bits are provided to satisfy the software requirement.

## MOTOROLA 68B45P CRT CONTROLLER (CRTC)

On the right side of schematic Sheet 3, the Motorola 68B45P CRTC operates at 2.5 MHz from the character clock (CCLK) generated on Sheet 2 of the schematics. The CRTC at U58 has 16 I/O registers, which when programmed by the system software, define the parameters of a raster scan video display. The CRTC refreshes the video display by reading data from display memory locations. The display memory contains a binary "image" of the display.

In the alpha mode, the CRTC reads the addresses for an entire line of characters using MA0 - MA12. Its row counter, characterized by the RA0 - RA3 lines, increments and the addresses for the line are read again.

Since the character size is set at eight by sixteen dots, each row of characters is read eight times. In graphics mode, the row counter outputs are used as additional address lines. A total of 32 Kbytes of display memory is available when using the high-resolution graphics display. An optional 128 Kbytes of display memory is required for the high-resolution 16-color graphics mode.

The CRTC and the system CPU share access to the display memory. During a display cycle, when the display enable (CDE) output of U58 is high, the CRTC reads a part of display memory. The data read is sent to logic that converts it to characters, attributes, and/or colors on the display.

The CRTC addresses display memory, and also generates two signals for proper vertical- and horizontal-trace synchronization. The horizontal- synchronization (CHS) signal operates at a rate of about 25 KHz and the vertical-synchronization (CVS) signal operates at 60 Hz.

Further information about the operation and programming of the MC68B45 CRTC is provided in the Motorola Microprocessor Data Manual, published by Motorola, Austin, Texas.

## **CLOCK GENERATION AND DISPLAY MEMORY TIMING LOGIC**

The clock generation and timing circuits on Sheet 2 of the schematics provide the basic dot and character clocks for video processing throughout the HRCGB. The timing logic generates a split memory cycle to read or write two 16-bit words (4 bytes) from or to the display memory. Either the system CPU, through the I/O channel interface, or the CRTC addresses the display memory on alternate split cycles. The system CPU can read data from, or write data to, the display memory, while the CRTC can only read data for further processing.

The buffered output of crystal oscillator U74 provides the 20.000-MHz master clock (MCLK) to the video output logic. The output is also sent to flip-flop U83 and multiplexer gate U82 to select the clock output for the high- or low-resolution modes. When HIGH is high from the mode control register on Sheet 3, the output of the oscillator is 20.000 MHz.

When HIGH is low, flip-flop U83 divides the 20.000-MHz input by two to generate 10.000 MHz at the output of U82. In the high-resolution mode,(i.e., the 80 characters by 25 line alpha mode), the logic requires a fast clock because it must access from display memory not only an eight-bit character but an eight-bit hidden attribute for the character as well.

The high- or low-speed clock is sent through four flip-flops in U75 to generate various divide-by-eight timing signals for the memory controller and video logic. All of the flip-flops are cleared by RESET- from the I/O channel interface. Timing signals are picked off of the Q or Q- outputs of the flip-flops.

At the 20.000-MHz (the high-resolution mode) clock frequency, one cycle of the dot clock (DCLK) equals 50.0 nanoseconds. With the character width of the HRCGB at eight dots, the character clock (CCLK) cycle is equal to 400.0 nanoseconds, the total time for access of two 16-bit words of data from the display memory. The split cycle is controlled by the outputs of U75 as LOW-/UPPER, which acts as the low-order address line (MA0) of the CRTC.

During each cycle a row address strobe (RAS-) and two column address strobes (CAS-) are sent to the display memory's address inputs to select the row and two columns of data for each access, respectively. The two columns of data are read from the display memory during a display cycle. The 16-bit word in the first column is latched by W1 LATCH during the first CAS-. The data word in the second column is latched by the W2 LATCH during the second CAS-. Timing for the display memory cycle is shown in Figure 5-3.

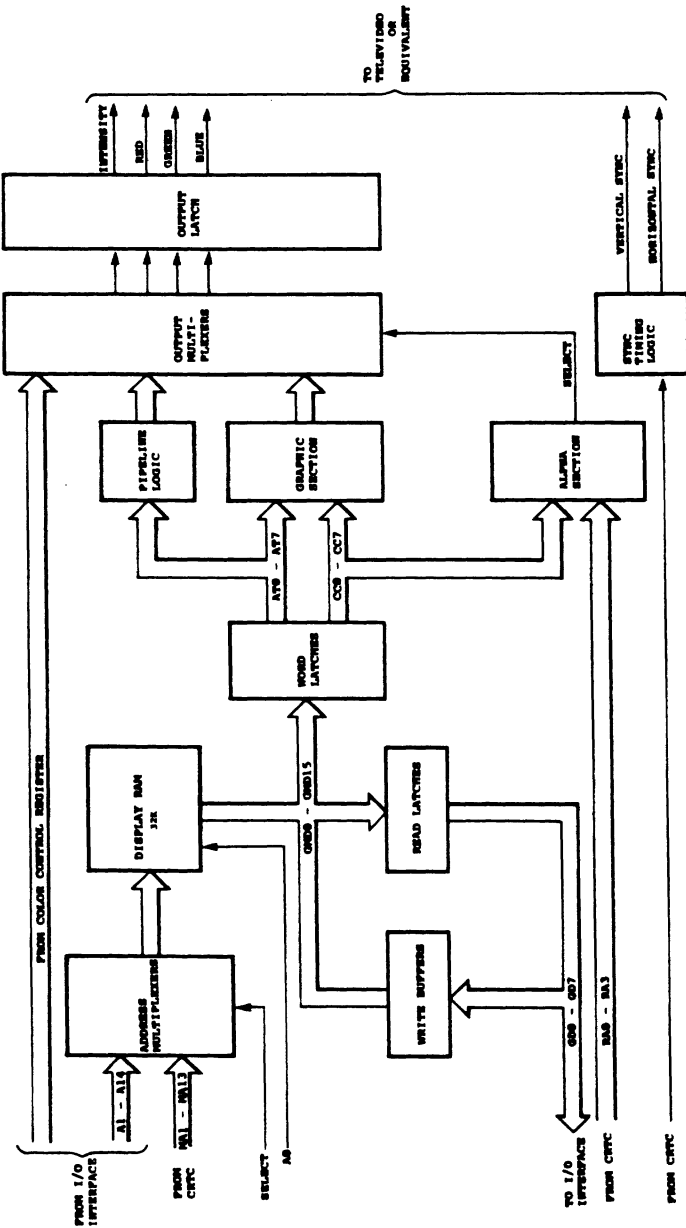
On Sheet 2 of the Graphics Board schematics, flip-flops at U39, U45, and U67 arbitrate display memory access between the system CPU and CRTC. Once the CRTC has read data from the display memory, the system CPU can take its turn. Note that, since access to the display memory is evenly divided between the system CPU and CRTC, the number of bytes in each horizontal line on the display must be an even number. Also, the generation of the RAS- and CAS- signals occurs automatically as a result of the timing of U75.

When the system CPU addresses the display memory, it causes the graphic memory select (GMSLT) line to go low at the I/O channel interface. GMSLT low forces I/O channel ready (I/O CH RDY) to go low causing read or write operations to wait until the CPU cycle is active. When I/O channel ready (I/O CH RDY) goes high, the system CPU can read or write data to the display memory. During this time, U45 generates graphics write enable (GWE-) to enable the writing of data to display memory through decoder U30 (graphics board schematic sheet 1).

## **DISPLAY MEMORY**

The display memory is composed of input address multiplexers, four 16K by 4-bit RAMs (U1-4), and buffers and latches to handle data transfers to or from the RAMs. Additional RAMs can be added, U11-14 for switch selectable monochrome to graphics mode and U5-18 for the 16-color graphic mode. See Figure 5-3, Display Memory and Character/Attribute Logic Block Diagram, during the following discussions.

Display Memory and Character/Attribute  
 Logic Block Diagram  
 Figure 5-3



On the left side of schematic Sheet 4, the four-into-one multiplexers, controlled by D/C- CYCLE and MUX, select which lines are connected to the A0 - A7 address inputs of RAMs U1-U8 and U11-U18.

During a display cycle (access by the CRTC; signal D/C- CYCLE is high), the MUX signal from the display memory controller switches between the low six bits of the address and the high eight bits of the address, which corresponds to the column and row addresses of the RAMs. During a CPU cycle (D/C- CYCLE is low), the MUX signal switches between the high and low addresses from the system CPU.

Mode control logic at U50 (Sheet 3), provides a way to switch between the 320- by 200-line and 640- by 200-line display modes. When the HRCGB is in a low-resolution alpha or graphics mode, that is, 40 characters by 25 lines of alpha text or 640 by 200 pixels or 320 by 200 pixels, the high-resolution enable (HIGH) from the mode control register is low and the 400 line (400L) signal from U70 is low.

If a high-resolution graphics mode is selected (GRAPH and 400GL are high), that is, 640 by 400 pixels, the CRTC uses the row counter address lines RA0 and RA1 to address the display memory. Using 14 address lines, low/upper address line MA1 - MA10 and BM11 - BM13, the CRTC can address 16-K words of RAM. The 640 by 400 mono graphic mode requires 32,000 bytes of data; where the RA lines are used to address the additional memory. For IBM-compatible software, the 640- by 200-line graphic resolution is the maximum supported. In this case, 400 lines are still shown on the display. Each horizontal scan line is displayed twice.

On the right side of schematic sheet 4 are the 4416 type RAM chips with a maximum 150-nanosecond access time. Each RAM stores 16K by four bits with the address lines wired in parallel and series with other RAMs so that a total of up to 128 Kbytes are available. Four RAM banks, U1-U4, U11-U14, U5-U8 and U15-U18 yield 32 Kbytes each. These four banks are supplied by data lines GAMD0 - GAMD15 and GBMD0 - GBMD15.

Each RAM bank is enable by graphics 0 (MG0) or graphics 1 (MG1) signals from U46 on Sheet 1 of the schematics. During a CPU cycle, the write enable (WE-) input of each RAM is controlled by the output of decoder U30.

During a CPU cycle, buffers U21 and U24 (Sheet 5) transfer a byte of data from the GD0 - GD7 data lines to a pair of the RAMs. In this cycle, the system CPU sends one byte of data to an even or odd byte address in memory. The byte appears at the outputs of both buffers, but only the RAM pair with the active WE- inputs allow data to be written into them. The buffers are enabled by the memory enable low (MEN3-) and MEN2- lines from U29. When data is read out of the RAMs by the CPU or CRTIC, all 16 bits appear as GAMD0 - GAMD15.

When 128 Kbytes RAM are installed on the graphics board, buffers U28 and U25 transfer data using GBMD0 - GBMD15. U28 and U25 are enabled by MEN1- and MEN0-.

During one display cycle, two words are fetched using GAMD0 - GAMD15 and latched by U31, U32 and U33, U34. These latch pairs are operated by display memory control logic. One latch pair is for the first word read in the split cycle and one is for the second word.



Latches U33 and U32 latch the first word using W1LATCH and enable their outputs using W1EN. Latches U34 and U31 latch the second word and then enable their outputs using W2LATCH/EN. With respect to the word latches, GAMD0 - GAMD7 become the character code bits (CC0 - CC7) and GAMD8 - GAMD15 become the attribute bits (AT0 -TeleCAT-2867). These designators assume that the alpha mode is selected. In graphics mode, each line each represents a pixel on the video display.

When the CPU reads data from the display memory during a CPU cycle, the data from the GAMD0 - GAMD15 lines are applied to the inputs of latches U23 and U22, which perform a 16- to 8-bit conversion to the GD0 - GD7 data lines. Signals RD DATA latches the data from the GAMD0 - GAMD15 lines, while memory read three low (MRD3-) and MRD2- from U29 enable the outputs of U23 and U22, respectively.

In the 128-Kbyte, 16-color graphics mode, GBMD0 - GBMD15 are sent to latches U37 and U36 for the first word and U38 and U35 for the second word.

## **CHARACTER GENERATION AND ATTRIBUTE CONTROL LOGIC**

On the bottom of Sheet 6 of the graphics board schematics, the CC0 - CC7 character code bits are sent to character generator EPROM U47 along with the RA0 - RA3 row address lines from the CRTC. U47 holds two fonts - one single dot and one double dot - that are selectable by either switching S3 to the down position (ground) for single dot, or the up position (+5 volts) for IBM-like double dot.

U47 is enabled only when GRAPH is low, indicating a coded character alpha-numeric mode is selected. U47 sends the parallel character data to shift register U52, which serially shifts the data to the input of gate U62 where it is ORed with underline logic (UL) on Sheet 8. U52 receives the parallel data by the shift/load (S/L-) signal and shifts each by the dot clock, DCLK.

The output of U62 is then sent to video mixing logic at U59, creating the foreground and background color. U59 combines the output of U80 (VSYNC divided by 64) with character data.

Character data is also sent to the input of multiplexer U59. At the inputs of U59 are blinking enable (BLINK EN) from U60 and the GRAPH signal from the mode control register. Character blinking is accomplished by dividing the 60-Hz VSYNC signal at U80 to 1 Hz and cursor blinking rate to 2 Hz and ANDing it with the blink enable signal from control register U50 (Sheet 3).

One of the inputs to U59 is selected by: (1) the output of the character logic section, (2) the display cursor signal, DCURSOR-, from control signal synchronization logic at U61 (sheet 8), and (3) the graphics mode selector, GRAPH. U59 is strobed by the STB output of U48. When strobed, the output of U59 supplies another selector input to four-into-one multiplexers U54 and U55.

When the HRCGB is in the graphics mode, CC0 - CC7 and AT0 - AT7 lines contain only graphic data, not character or attribute data as they do in the alpha mode. CC0 - CC7 and AT0 - AT7 supply the graphic data to shift registers U40 and U41 where it is loaded by S/L- and shifted out by DCLK (sheet 6). The outputs of U40 and U41 are sent to multiplexers U54 and U55 and are sent of latch U53 (sheet 7) and U48 (sheet 8). The strobe output of graphic control logic at U48 is sent to the strobe input (STROBE) of U53.

In the 128-Kbyte graphics mode, LD0-7 and UD0-7 supply graphic data to shift registers U43 and U44. The output of U43 and U44 are input to graphics control logic at U48 (sheet 8). The input signals of U48 are mixed to generate color bit streams and high-resolution graphics (HIGRAPH), STROBE, and MUX A control signals.

On Sheet 7, in either alpha or graphics mode, depending on the state of selector bits A (foreground color/background color) and B (graphics/alpha), U54 and U55 select data from color control register U56 (Sheet 3) or attribute data from latch U42 (Sheet 6). U42 synchronizes the slower attribute bytes with color stream and control signals from latch U53. The outputs of U54 and U55 are for intensity, (EI), red (ER), green (EG), and blue (EB).

Therefore, each bit shifted out of U54 and U55, even if the bit is part of a character, can have colors and attributes associated with it. ER, EG, EB, and EI are latched at U84 and sent to the video display on pins P-3 through P-6, respectively, along with the horizontal and vertical synchronization pulses at P-8 and P-9, respectively.

At the bottom of Sheet 7 of the schematic, U49 generates the underline attribute signals, BM12, BM13, and RA14 for the logic on sheets 4 and 8. Decoded from the row address lines RA0 - RA3 and the state of attribute lines AT0 - AT2, U49 decodes the underline data for flip-flop U81 (Sheet 8).

U49 intercepts the TeleCAT-286 bits associated with underline to generate white characters with a true underline in monochrome mode only. (Using an IBM Color/Graphics Monitor Adapter, the underline attribute shows underlined text as a dark blue color.) All of the attribute bits are latched at U42 by QCI for synchronization and are then sent to multiplexers U54 and U55 as DAT0 - DAT7.

At the bottom of Sheet 8 of the schematics is synchronized logic to delay the horizontal- and vertical-synchronization signals, the cursor, and display enable signals so that the data has enough time to be shifted out of the character or graphic section shift registers. The output of U81 is XORed with the monochrome/color monitor (955M-/CM) signal at U63 to determine the polarity of the horizontal synchronization frequency.

Pin 5 of U84 provides a three-micro second wide, positive or negative horizontal-synchronization, in the high- or low-speed mode, for the TeleVideo monochrome monitor or selected color monitor. Pin 19 of U84 provides the vertical synchronization pulse.

Color monitors compatible with the system require negative horizontal synchronization and 24.5 KHz frequency. The TeleVideo monochrome monitor requires positive horizontal synchronization and 25 KHz frequency.

**INTRODUCTION**

This chapter provides the system programmer with basic information necessary to write machine-level code for the TeleCAT-286. Included in this chapter are summaries of I/O addresses and devices used in the system. Table 6-1 lists all of the I/O addresses used.

For ease of reference between hardware I/O registers and the programmable I/O devices, this chapter parallels, for the most part, topics listed in Chapter 2, Hardware Functions - Motherboard. Detailed descriptions of programmable I/O devices for the TeleVideo TeleCAT-286 are given in the manufacturer's literature listed in Table 6-2.

**TeleCAT-286 I/O Address Summary**  
**Table 6-1**

| <u>Address (h)</u> | <u>I/O Device</u>                          |
|--------------------|--|
| 000 - 01F          | DMA Controller 1                           |
| 020 - 03F          | Interrupt Controller 1                     |
| 040 - 05F          | Counter/Timer                              |
| 060 - 06F          | Keyboard Controller                        |
| 070 - 07F          | Real-Time Clock, NMI Mask                  |
| 080 - 09F          | DMA Page Register                          |
| 0A0 - 0BF          | Interrupt Controller 2                     |
| 0C0 - 0DF          | DMA Controller 2                           |
| 0F0                | Clear Coprocessor Busy                     |
| 0F1                | Reset Coprocessor                          |
| 0F8 - 0FF          | Coprocessor                                |
| 1F0 - 1F8          | Disk Controller                            |
| 278 - 27F          | Parallel Printer Port 2                    |
| 2F8 - 2FF          | Serial Port 2                              |
| 3B0 - 3BF          | Graphics Board, Text Mode (IBM Monochrome) |
| 3D0 - 3DF          | Graphics Board, Graphics/Text Mode         |

**TeleVideo TeleCAT-286 I/O Address Summary  
Table 6-1 (continued)**

**Address (h)    I/O Device**

|           |                                   |
|-----------|-----------------------------------|
| 378 - 37F | Parallel Printer Port 1           |
| 3D0 - 3DF | Color/Graphics Monitor<br>Adapter |
| 3F0 - 3F7 | Diskette Drive Controller         |
| 3F8 - 3FF | Serial Port 1                     |

**I/O Device Reference Literature  
Table 6-2**

| <u>Device/<br/>Manufacturer</u> | <u>Function</u>                           | <u>Literature<br/>Reference #</u> |
|---------------------------------|---|-----------------------------------|
| Intel 80286<br>(iAPX 286/10)    | CPU                                       | 1                                 |
| Intel 80287                     | Numeric<br>Coprocesor                     | 1                                 |
| Intel 8237A                     | DMA Controller                            | 1                                 |
| Intel 8259A                     | Interrupt<br>Controller                   | 1                                 |
| Intel 8254                      | Counter/Timer                             | 1                                 |
| Intel 8042                      | Single-Chip<br>Microcomputer              | 1                                 |
| National<br>NS16540             | Asynchronous<br>Communications<br>Element | 2                                 |
| Motorola<br>MC146818            | Real-Time Clock<br>with RAM               | 3                                 |

## References:

1. Microsystem Components Handbook, 1984, published by the Intel Corporation, Santa Clara, CA
  2. NS16450 and INS8250A Asynchronous Communications Elements, a preliminary data sheet published by National Semiconductor Corporation, Irvine, CA
  3. MC146818 Real-Time Clock Plus RAM (RTC), a data sheet published by Motorola Semiconductors, Austin, TX
- 

## 80286 CENTRAL PROCESSING UNIT

The Intel 80286 CPU has a 16-bit data bus and an address range of 24 bits or 16 megabytes of memory. The 80286 has an extensive instruction set with instructions to provide special operations to support the efficient implementation and execution of operating systems. Two operating modes, Real-Address Mode and Protected-Address Mode, provide compatibility with previous PC-type systems while expanding the physical and virtual memory address space of the system. Both modes provide the same basic instruction set, registers and addressing modes.

### Real-Address Mode

In the real-address mode the 80286 addresses up to one megabyte of memory by generating a 20-bit segment address. The segment address is composed of the upper 16 bits of the address, termed the selector portion, and the lower 4 bits of the address, which are always zero. Therefore, each segment address begins on multiples of 16 bytes and are 64 Kbytes in size.

## **Protected-Address Mode**

In protected-address mode the 80286 maps one gigabyte of virtual memory per task into a 16-megabyte real-address space. This mode provides four levels of memory protection to isolate the operating system and ensure the privacy of each task's programs and data. The 80286 enters the protected-address mode from the real-address mode by setting the Protection Enable PE bit of the Load Machine Status Word (LMSW) instruction. Note that once the 80286 has been placed into the protected-address mode, a reset must be applied to the 80286 to return it to the real-address mode.

## **SYSTEM PERFORMANCE**

Either the 6-MHz or 8-MHz version of the 80286 CPU can be used in the TeleVideo TeleCAT-286, which gives a clock cycle time of 167 or 125 nanoseconds. The CPU speed is selectable from switch 1 of dip switch SW1 on the motherboard.

One bus cycle requires three clock cycles, one of which is a wait state. Therefore, a 16-bit microprocessor cycle time of 500 or 375 nanoseconds, is required. Operating at 6 MHz, transfer operations from 16-bit to 8-bit devices require 12 clock cycles, 10 of which are wait states, or 2000 nanoseconds; eight-bit bus operations to 8-bit devices take 6 clock cycles, including 4 wait states, or 1000 nanoseconds.

Operating at 8 MHz, transfers from 16-bit to 8-bit devices require 16 clock cycles, 14 of which are wait states, or 2000 nanoseconds; eight-bit bus operations (8 MHz) to 8-bit devices take 8 clock cycles, including 6 wait states, or 1000 nanoseconds.

One refresh cycle equals three clock cycles. It requires 256 refresh cycles every 4 milliseconds to refresh the system RAM.



The two 8237A DMA controllers operate at 3 or 4 MHz. All DMA data-transfer bus cycles are five clock cycles, 1.66 or 1.25 microseconds, not including bus transfer cycles. DMA channels allocation: 8-bit transfers, channels 0, 1, 2, and 3; 16-bit transfers, channels 5, 6, and 7; channel 4 cascades channels 0 through 3 to the CPU.

## **80287 NUMERIC COPROCESSOR**

The optional Intel 80287, a numerics processor extension, extends the 80286 architecture with floating point, extended integer and BCD data types. Using a numeric-oriented architecture, the 80287 adds over 50 instructions to those available with the 80286.

The 80287 has two operating modes corresponding to those in the 80286. When reset, the 80287 is in the real-address mode. It can be placed in the protected-address mode by executing the SETPM ESC instruction. The 80287 cannot be switched back to the real-address mode except by a reset. In the real-address mode, the 80286 is completely software compatible with earlier PC-type systems.

Once in the protected-mode, all references to memory for numeric data or status information obey the 80286 memory management and protection rules. This gives a fully protected extension to the 80286 CPU. In protected mode, 80286-numeric software is also completely compatible with earlier PC-type systems.

The 80287 is organized around a stack of eight 80-bit data registers, an instruction pointer, a data pointer, a tag word, and control and status registers. Detailed information about the operation of the 80287 is given in Reference 1 of Table 6-2, above.

Any I/O address generated by the system between 0F8h - 0FFh causes the 80287 to be selected. If the 80287 encounters an error in processing, an error flip-flop reports it to the 80286. I/O address 0F0h causes the error-reporting flip-flop to be reset. I/O address 0F1h causes a reset to the 80287. Both resets are automatically exercised upon power up of the system.

## **MC146818 REAL-TIME CLOCK PLUS RAM**

The real-time clock plus RAM circuit contains the real-time clock and 64 bytes of low-power RAM. Fourteen of those bytes are used by the internal clock. The remaining 50 bytes of RAM are used to store system configuration information. Table 6-3 lists the RAM addresses.

**Real-Time Clock Plus RAM Addresses**  
**Table 6-3**

| <u>Address (h)</u> | <u>Description</u>                         |
|--------------------|--|
| 00 - 0D            | *Real-time clock information               |
| 0E                 | *Diagnostic status byte                    |
| 0F                 | *Shutdown status byte                      |
| 10                 | Floppy disk drive byte -<br>drives A and B |
| 11                 | Reserved                                   |
| 12                 | Fixed disk drive byte drives C and D       |
| 13                 | Reserved                                   |
| 14                 | Equipment byte                             |
| 15                 | Low-base memory byte                       |
| 16                 | High-base memory byte                      |
| 17                 | Low-expansion memory byte                  |

**Real-Time Clock Plus RAM Addresses**  
**Table 6-3 (continued)**

| <u>Address (h)</u> | <u>Description</u>                          |
|--------------------|---|
| 18                 | High-expansion memory byte                  |
| 19 - 2D            | Reserved                                    |
| 2E - 2F            | 2-byte RAM checksum                         |
| 30                 | *Low-expansion memory byte                  |
| 31                 | *High-expansion memory byte                 |
| 32                 | *Date-century byte                          |
| 33                 | *Information flags<br>(set during power-up) |
| 34 - 3F            | Reserved                                    |

\* NOTE: This information is not included in the checksum calculation and is not part of the system configuration information.

---

**Real-Time Clock Information**

Table 6-4 lists the real-time clock information at addresses 00 - 0D. Status Registers A - D are initialized during execution of the setup program. Interrupt 1A, BIOS' interface to read/set the time and date, initializes the status byte the same as the setup program.

**Real-Time Information**  
**Table 6-4**

| <u>Address (h)</u> | <u>Byte Number</u> | <u>Description</u> |
|--------------------|--------------------|--------------------|
| 00                 | 0                  | Seconds            |
| 01                 | 1                  | Second alarm       |
| 02                 | 2                  | Minutes            |
| 03                 | 3                  | Minute alarm       |
| 04                 | 4                  | Hours              |
| 05                 | 5                  | Hour alarm         |
| 06                 | 6                  | Day of week        |
| 07                 | 7                  | Date of month      |
| 08                 | 8                  | Month              |
| 09                 | 9                  | Year               |
| 0A                 | 10                 | Status Register A  |
| 0B                 | 11                 | Status Register B  |
| 0C                 | 12                 | Status Register C  |
| 0D                 | 13                 | Status Register D  |

---

### **Status Register A**

- Bit 7**                      **UIP** - This update in progress bit flags the status of the program. If UIP equals 0, then the update cycle is not in progress and the time and date can be read.
- Bit 6 - Bit 4**              **DV2, DV1, DV0** - These three bits identify the frequency being used. The system initializes this divider to select the 32.768-kHz time base used in the system.

## **Status Register A (continued)**

**Bit 3 - Bit 0**                    **RS3, RS2, RS1, RS0** - These rate selection bits allow the selection of an output frequency or periodic interrupt. The system initializes the rate selection bits for frequency (1.024 - KHz) and interrupt rate (976.562 microseconds).

## **Status Register B**

**Bit 7**                                **Set** - When set to 0, this bit updates the cycle by advancing the counts at one-per-second. A 1 aborts any update cycle in progress and the program can initialize the time and calendar bytes without any further updates occurring until a 0 is written to this bit.

**Bit 6**                                **PIE** - The Periodic Interrupt Enable is a read/write bit which allows an interrupt to occur at a rate specified by the RS3, RS2, RS1, and RS0 bits in Register A. A 1 enables an interrupt, and a 0 blocks it. The PIE bit is initialized to 0.

**Bit 5**                                **AIE** - The Alarm Interrupt Enable bit is set to 1 to engage the alarm interrupt to register C. A 0 disables the AIE. The AIE is initialized to 0.

**Bit 4**                                **UIE** - The Update-Ended Interrupt Enabled is set to 1 to engage the update-ended interrupt to register C. A 0 disables the UIE. This bit is initialized to 0.

## Status Register B (continued)

- Bit 3**                      **SQWE (Square Wave Enabled)** A square-wave signal appears on the SQW pin when this bit is set to 1. The frequency is specified by the RS3 to RS0 bit in Register A. The bit is disabled when the signal is low. The system initializes this bit to 0.
- Bit 2**                      **DM - The Data Mode bit** indicates whether the time and calendar updates are to use binary or BCD formats. A 1 identifies binary data. A 0 represents binary coded data. The DM bit is initialized to 0.
- Bit 1**                      **24/12.** This bit determines whether the information is in the 24-hour mode (1) or 12-hour mode (0). The 24/12 bit is initialized to 1.
- Bit 0**                      **DSE - Daylight Savings Enabled.** This bit is set to 1 in October and April in order to update the time, otherwise, it is set to 0.

## Status Register C

- Bit 7 - Bit 4**              **IRQF, PF, AF, UF** - These flag bits are read only and are affected when the UIE, AIE, and PIE interrupts are enabled.
- Bit 3 - Bit 0**              **Reserved**

## Status Register D

**Bit 7**                      **Valid RAM and Time (VRT)** - By reading the power sense pin, this bit indicates the condition of the contents of the RAM. A 0 occurs when the power is low, indicating that the real-time clock has lost power. A 1 indicates power to the real-time clock and thus data is valid in the CMOS RAM. When power is supplied to the clock, the VRT is set to 1.

**Bit 6 - Bit 0**              Not used.

## RAM Configuration

The follow pages contain bit definitions for the RAM configuration bytes at addresses 0E - 3F (h).

### Diagnostic Status Byte (0Eh)

**Bit 7**              **Power Loss** - A power loss is indicated by 1. Power on is indicated by 0.

**Bit 6**              **Checksum Status Indicator** - This bit indicates the status of the configuration record stored in the real-time clock CMOS memory. A 0 means the checksum is good. A 1 means the checksum is bad.

**Bit 5**              **Incorrect Configuration Information** - After the power is turned on to the unit, a check is made of the equipment bit of the configuration record equipment byte. A 0 indicates that information is valid. A 1 indicates it is invalid. Power-up checks require: (1) at least

## **Diagnostic Status Byte (0Eh) (continued)**

one floppy disk drive (bit 0 of equipment byte set to 1 and (2) the primary display adapter setting in the configuration matches the motherboard's display switch setting and the actual display hardware in the system.

**Bit 4**      **Memory Size Mismatch** - This bit compares memory size at the time of power-on with the memory size in the configuration record. A match between the two values is indicated by a 0. A mismatch is indicated by a 1.

**Bit 3**      **Disk Controller and Drive C Installation Status** - This bit checks for proper functioning of the fixed disk controller and fixed drive. If both are operating normally, the system can attempt a bootstrap procedure from the fixed disk. A 0 indicates proper functioning, a 1 indicates a failure.

**Bit 2**      **Time Status Indicator** - A 0 indicates that the time is valid, and a 1 indicates that the time is invalid.

**Bit 1 -**

**Bit 0**      **Reserved.**

## **Shutdown Status Byte (0Fh)**

The status of this byte is determined during a computer self check at the time of power-on.



## **Type of Diskette Drive (10h)**

|                      |  |
|----------------------|--|
| <b>Bit 7 - Bit 4</b> | Type of first floppy disk drive installed: |
| 0000                 | No drive present                           |
| 0001                 | Double-sided drive (48 TPI)                |
| 0010                 | High-capacity drive (96 TPI)               |
| 0011 -<br>1111       | Reserved.                                  |

|                      |  |
|----------------------|--|
| <b>Bit 3 - Bit 0</b> | Second floppy disk drive type installed: |
| 0000                 | No drive present                         |
| 0001                 | Double-sided drive (48 TPI)              |
| 0010                 | High-capacity drive (96 TPI)             |
| 0011 -<br>1111       | Reserved                                 |

Address 11h contains a reserved byte.

## **Fixed Disk Type Byte (12h)**

|                      |   |
|----------------------|---|
| <b>Bit 7 - Bit 4</b> | Identifies the first fixed disk drive installed (drive 1):            |
| 0000                 | No fixed disk drive present   |
| 0001 -<br>1111       | Define disk type 1 - (See Fixed Disk Parameters, below)               |
| <b>Bit 3 - Bit 0</b> | Identifies the second fixed disk drive installed (drive 2):           |
| 0000                 | No fixed disk drive present   |
| 0001 -<br>1111       | Defines the second fixed disk type (See Fixed Disk Parameters, below) |

Table 6-5, Fixed Disk Parameters, describes fixed disk types and specifications for systems using Rev. D and Rev. E firmware. The power-up, sign-on message identifies the firmware version installed in the system.

## Fixed Disk Parameters

Table 6-5

### Fixed Disk Types (revision D firmware)

| Type (h) | Cylinders | Heads | Capacity (MB) | Landing Zone | Write Precomp |
|----------|-----------|-------|---------------|--------------|---------------|
| 1*       | 306       | 4     | 10            | 305          | 128           |
| 2*       | 615       | 4     | 20            | 615          | 300           |
| 3*       | 615       | 6     | 31            | 615          | 300           |
| 4*       | 940       | 8     | 61            | 940          | 512           |
| 5*       | 940       | 6     | 47            | 940          | 512           |
| 6*       | 615       | 4     | 20            | 615          | no            |
| 7*       | 462       | 8     | 31            | 462          | 256           |
| 8*       | 733       | 5     | 31            | 733          | no            |
| 9*       | 900       | 15    | 114           | 901          | no            |
| 10       | 977       | 5     | 41            | 977          | 732           |
| 11*      | 855       | 5     | 36            | 855          | no            |
| 12       | 640       | 8     | 43            | 640          | 480           |
| 13       | 1024      | 8     | 69            | 1024         | 768           |
| 14       | 1024      | 5     | 43            | 1024         | 768           |
| 15       | reserved  |       |               |              |               |

\* IBM AT compatible

Using revision D firmware, type designations for some fixed disk drives are listed below:

| <u>Disk Drive</u> | <u>Model</u> | <u>Drive Type</u> |
|-------------------|--------------|-------------------|
| Miniscribe        | 3425         | 02                |
| Seagate           | ST-225       | 02                |
| Syquest           | SQ-325       | 06                |
| Syquest           | SQ-338       | 03                |

**Fixed Disk Parameters**  
**Table 6-5 (continued)**

**Fixed Disk Types (revision E firmware)**

| Type (h) | Cylinders | Heads | Capacity (MB) | Landing Zone | Write Precomp |
|----------|-----------|-------|---------------|--------------|---------------|
| 1*       | 306       | 4     | 10            | 305          | 128           |
| 2*       | 615       | 4     | 20            | 615          | 300           |
| 3*       | 615       | 6     | 31            | 615          | 300           |
| 4*       | 940       | 8     | 63            | 940          | 512           |
| 5*       | 940       | 6     | 47            | 940          | 512           |
| 6*       | 615       | 4     | 20            | 615          | no            |
| 7        | 615       | 6     | 31            | 615          | no            |
| 8*       | 733       | 5     | 31            | 733          | no            |
| 9*       | 900       | 15    | 114           | 901          | no            |
| 10       | 977       | 5     | 41            | 976          | no            |
| 11*      | 855       | 5     | 36            | 855          | no            |
| 12       | 640       | 8     | 43            | 640          | 480           |
| 13       | 1024      | 8     | 69            | 1024         | 768           |
| 14       | 1024      | 5     | 43            | 1024         | 768           |
| 15       | reserved  |       |               |              |               |

\* IBM AT compatible

Type designations for some fixed disk drives are listed below:

| <u>Disk Drive</u> | <u>Model</u> | <u>Drive Type</u> |
|-------------------|--------------|-------------------|
| Miniscribe        | 3425         | 02                |
| Seagate           | ST-225       | 02                |
| Syquest           | SQ-325       | 06                |
| Syquest           | SQ-338       | 07                |

Address 13h also contains a reserved byte.

**Equipment Installed Byte (14h) - Defines system configuration at power-up.**

**Bit 7 - Bit 6** Indicates the number of floppy disk drives installed: 00 = 1 drive, 01 = 2 drives, 10 and 11 are reserved.

**Bit 5 - Bit 4** Primary display

00 Reserved

01 Primary display is attached to a color/graphics monitor board in 40-column mode.

10 Primary display is attached to a color/graphics monitor board in 80-column mode.

11 Primary display attached to a monochrome display/printer adapter.

**Bit 3 - Bit 2** Not used.

**Bit 1** 80287 Coprocessor bit:

0 80287 not installed

1 80287 installed

**Bit 0** Diskette drives installed/not installed.

## Low- and High-Base Memory Bytes (15h and 16h)

**Bit 7 - Bit 0**

**Address:**

15h Low-byte base size

16h High-byte base size

**Valid Sizes:**

**0100h** 256-Kbyte motherboard  
RAM

**0200h** 512-Kbyte motherboard  
RAM

**0280h** 640-Kbyte motherboard  
RAM

## Expansion Memory Bytes (17h and 18h)

**Bit 7 - Bit 0**

**Address:**

17h Low-byte size

18h High-byte size

**Valid Sizes:**

**0200h** 512-Kbyte I/O  
channel expansion

**0400h** 1024-Kbyte I/O  
channel expansion

**0600h to  
3C00h** 15,360-Kbyte I/O  
channel expansion  
(15 Mbytes maximum)

**Address:**

19h - 2D Reserved

### Checksum (10h - 20h)

2Eh High byte of checksum

2Fh Low byte of checksum

### Low- and High-Expansion Memory Bytes (30h - 31h)

Bit 7 - Bit 0

Address:

30h Low-byte expansion size

31h High-byte size

Valid sizes:

0200h 512-Kbyte I/O  
channel expansion

0400h 1024-Kbyte I/O  
channel expansion

0600h 1536-Kbyte I/O  
channel expansion

to

3C00h 15360K-byte I/O  
channel expansion  
(15M bytes maximum)

Expansion memory size is detected through interrupt 15, see motherboard schematic sheet 11.

### Date Century Byte (32)

Bit 7 - Bit 0

This byte is a binary coded digit value.

## Information Flag (33h)

- |                    |  |
|--------------------|--|
| Bit 7              | Set if the 128 Kbyte I/O channel expansion is installed.         |
| Bit 6              | Initiates first user message after SETUP utility program is run. |
| Bit 5 - Bit 0      | Reserved   |
| Addresses 34 - 3F: | Reserved   |

## I/O Operations

### Writing real-time clock RAM data:

1. OUT instruction to I/O port 70h with the address to be written to.
2. OUT instruction to I/O port 71h with data to be written.

### Reading real-time clock RAM data:

1. OUT instruction to I/O port 70h with the address to be written to.
2. IN instruction from I/O port 71h. Data is returned to the CPU's AL register.

## SYSTEM EPROM

Standard 32 Kbytes of EPROM is used for power-up, self test, and I/O driver firmware. Four sockets allow the total EPROM size to be increased up to 128 Kbytes using 32 Kbyte parts. 16 Kbyte ROMs can also be used for a total of 64K bytes. EPROM is not parity checked. ROM access time is 250 nanoseconds. Refer to Table 6-6 for ROM address ranges.



## SYSTEM RAM

The total RAM space in the TeleCAT-286 can be up to 16 megabytes. If 64K-bit (type 4164) RAMs are used, up to 256K bytes can exist on the motherboard. If 18 256K-bit (type 41256) RAMs are used, the motherboard can support up to 512 Kbytes. Combining 256K-bit with 64K-bit chips, 640K bytes can be installed on the motherboard.

Using only 256K-bit RAM types, up to 1 Mbyte can exist on the motherboard. The top 384 Kbytes of 1 Mbyte system RAM is readdressed at the 1 Mbyte boundary and is useful as a RAM disk using the "VDISK" program. The remaining RAM, up to 15 megabytes, can be connected via the five I/O channels provided on the motherboard.

Switches at SW1 on the motherboard tell the system how much memory is currently on the motherboard: 256K, 512K, 640K, or 1 Mbyte. The memory access time is 150 nanoseconds with a full memory cycle time of 275 nanoseconds. The memory map for the TeleVideo TeleCAT-286 is listed in Table 6-6.

**System Memory Map**  
Table 6-6

| <u>Address Range(h)</u> | <u>Size</u> | <u>Function</u>              |
|-------------------------|-------------|------------------------------|
| 000000 - 09FFFF         | 640K        | System RAM on motherboard    |
| 0A0000 - 0BFFFF         | 128K        | Video RAM                    |
| 0C0000 - 0DFFFF         | 128K        | Expansion ROM on I/O channel |
| 0E0000 - 0EFFFF         | 64K         | Reserved ROM on motherboard  |
| 0F0000 - 0FFFFFFF       | 64K         | ROM on motherboard           |
| 100000 - 15FFFF         | 384K        | System RAM on motherboard    |

**System Memory Map**  
**Table 6-6 (continued)**

| <b>Address Range(h)</b> | <b>Size</b> | <b>Function</b>              |
|-------------------------|-------------|------------------------------|
| 160000 - FDFFFF         | 15M         | Expansion RAM on I/O channel |
| FE0000 - FEFFFF         | 64K         | Duplicated code at 0E0000h   |
| FF0000 - FFFFFFFF       | 64K         | Duplicated code at 0F0000h   |

Each byte of system RAM has nine bits, including one bit for parity. Even parity is used. The memory refresh circuits request a memory cycle every 15 microseconds through Channel 1 of the 8254 counter/timer. A RAM initialization routine first initializes Channel 1 of the 8254 to generate a 15-microsecond refresh timeout. Once Channel 1 is initialized, the memory refresh circuit performs a memory read operation to the 256 rows of memory in the RAM array, one row per refresh cycle. During each refresh cycle, the memory refresh circuits require the use of the address bus. Therefore, every 15 microseconds, the memory refresh circuits must also arbitrate bus requests by the DMA controller and CPU, which are also trying to get control of the address and data busses for their own operations.

## **8237A DMA CONTROLLERS**

Seven DMA channels are available in the TeleCAT-286 for use by various controllers on the I/O channels. A pair of Intel 8237A DMA Controllers are used, each supporting four channels. DMA Controller 1 contains channels 0 - 3 for 8-bit data transfers between 8-bit devices on the I/O Channels and 8- or 16-bit memory. A DMA data transfer can occur anywhere within the 16-megabyte address space. However, because of the internal structure of the 8237A, the maximum number of bytes that can be transferred at one time is a block of 64 Kbytes. Table 6-7 lists the DMA channels.

## **Motherboard Programming 6.22**

**DMA Channel Assignments**  
**Table 6-7**

| <b>Channel Number</b>   | <b>Function</b>              |
|-------------------------|------------------------------|
| <b>DMA Controller 1</b> |                              |
| 0                       | Spare                        |
| 1                       | Spare                        |
| 2                       | Floppy Disk Controller       |
| 3                       | Spare                        |
| <b>DMA Controller 2</b> |                              |
| 4                       | Cascade for DMA Controller 1 |
| 5                       | Spare                        |
| 6                       | Spare                        |
| 7                       | Spare                        |

DMA Controller 2 manages channels 4 - 7. Channel 4 cascades the four DMA Controller 1 channels through to the CPU. The remaining channels, 5, 6, and 7, support 16-bit data transfers between 16-bit devices on the I/O Channels and 16-bit memory. These channels can transfer data in the 16-megabyte address space in blocks up to 128 Kbytes. Channels 5, 6, and 7 can transfer data only on even-byte boundaries.

### **Page Register**

For a DMA transfer to operate in the entire address range of the TeleCAT-286, the CPU addresses a page register to specify which 64 Kbyte block, that is, page of memory will be transferred. Table 6-8 lists the addresses for the page register.

**Page Register Assignments  
Table 6-8**

| <u>Address (h)</u> | <u>Page Register</u> |
|--------------------|----------------------|
| 0087               | DMA Channel 0        |
| 0083               | DMA Channel 1        |
| 0081               | DMA Channel 2        |
| 0082               | DMA Channel 3        |
| 008B               | DMA Channel 5        |
| 0089               | DMA Channel 6        |
| 008A               | DMA Channel 7        |

Source address generation for DMA controllers is as follows:

| <b>DMA Channel</b> | <b>DMA Page Registers</b> | <b>8237A</b> |
|--------------------|---------------------------|--------------|
| 0 - 3              | A23 to A16                | A15 to A0    |
| 5 - 7              | A23 to A17                | A16 to A1    |

Generating the Byte High Enable (BHE) address signal for channels 0 - 3 is accomplished by inverting address line A0 and for channels 5 - 7 by forcing address line A0 to logic 0.

**Programming 16-Bit DMA Channels 5, 6, and 7**

Since DMA Channels 5, 6, and 7 can only handle 16-bit data transfers, access can be gained only to 16-bit I/O devices on the I/O channels. Control of DMA Controller 2, which contains these channels, is via I/O addresses 0C0 - 0DF. The command codes for DMA Controller 2 is listed in Table 6-9.

## DMA Controller 2 Command Codes

Table 6-9

| Address (h) | Command Code                                |
|-------------|---|
| 0C0         | Channel 0 Base and Current Address          |
| 0C2         | Channel 0 Base and Current Word Count       |
| 0C4         | Channel 1 Base and Current Address          |
| 0C6         | Channel 1 Base and Current Word Count       |
| 0C8         | Channel 2 Base and Current Address          |
| 0CA         | Channel 2 Base and Current Word Count       |
| 0CC         | Channel 3 Base and Current Address          |
| 0CE         | Channel 3 Base and Current Word Count       |
| 0D0         | Read Status Register/Write Command Register |
| 0D2         | Write-Request Register                      |
| 0D4         | Write Single-Mask Register Bit              |
| 0D6         | Write-Mode Register                         |
| 0D8         | Clear Byte Pointer Flip-Flop                |
| 0DA         | Read Temporary Register                     |
| 0DC         | Clear Mask Register                         |
| 0DE         | Write All Mask Register Bits                |

Data written to the base address registers of channels 5, 6 and 7 is the dividend of the real address divided by two. Also, when the base word count for channels 5, 6, and 7 is specified, the count is the number of 16-bit words to be transferred.

Therefore, these DMA channels transfer a maximum of 64K words or 128 Kbytes for any selected page in memory, thus dividing the total memory space of the system into 128 Kbyte pages. When the page for DMA Channels 5, 6, and 7 is specified, data bits D1 - D7 should contain the high-order seven address bits (A17 - A23) of the desired memory space. Data bit D0 is not used in the generation of the DMA memory address.

Note that after the system is powered-up, all internal locations of the DMA controllers should be loaded with some valid value, even if some of the channels are not used. Also, DMA transfers occur on even-byte boundaries for channels 5, 6 and 7. See Reference 1 in Table 6-2 for more information.

## **8259A INTERRUPT CONTROLLERS**

Sixteen levels of system interrupts are provided by the 80286 CPU's Interrupt request (INTR) and a pair of Intel 8259A Interrupt Controllers. Any or all interrupts can be masked (ignored) by the CPU, including the CPU's own NMI. Table 6-10 lists the interrupt levels in decreasing priority.

**System Interrupts**  
**Table 6-10**

| <b>Interrupt Level</b>       |       | <b>Function</b>                       |
|------------------------------|-------|---------------------------------------|
| 80286 NMI                    |       | Parity or I/O Channel Check           |
| <b>Interrupt Controllers</b> |       |                                       |
| 1                            | 2     |                                       |
| IRQ0                         |       | Timer Output 0                        |
| IRQ1                         |       | Keyboard (Output Buffer Full)         |
| IRQ2                         |       | Interrupt from Interrupt Controller 2 |
| IRQ3                         |       | Serial Port 2                         |
| IRQ4                         |       | Serial Port 1                         |
| IRQ5                         |       | Parallel Port 2                       |
| IRQ6                         |       | Floppy Disk Controller                |
| IRQ7                         |       | Parallel Port                         |
|                              | IRQ8  | Real-Time Clock Interrupt             |
|                              | IRQ9  | Software Redirected to INT 0Ah (IRQ2) |
|                              | IRQ10 | Reserved                              |
|                              | IRQ11 | Reserved                              |
|                              | IRQ12 | Reserved                              |
|                              | IRQ13 | 80287 Coprocessor                     |
|                              | IRQ14 | Fixed Disk Controller                 |
|                              | IRQ15 | Reserved                              |

## 8254 PROGRAMMABLE TIMER

An Intel 8254 counter/timer circuit provides three programmable counter/timer channels: a system timer, refresh request generator, and tone generator for the speaker. The 8254 is treated by the system software as four external I/O ports. Three of the ports are treated as counters; the fourth is a control register for mode programming. See Reference 1 listed in Table 6-2 for more information. The channel assignments are listed in Table 6-11.

**Counter/Timer Channel Assignments**  
**Table 6-11**

| <b>Control/Output</b> | <b>Connection</b>                      |
|-----------------------|--|
| <b>Channel 0</b>      | <b>System Timer</b>                    |
| GATE 0                | Tied On                                |
| CLK IN 0              | 1.190-MHz Oscillator                   |
| CLK OUT 0             | 8259A IRQ 0                            |
| <b>Channel 1</b>      | <b>Refresh Request Generator</b>       |
| GATE 1                | Tied On                                |
| CLK IN 1              | 1.190-MHz Oscillator                   |
| CLK OUT 1             | Refresh Request Cycle (REFRESH)        |
| <b>Channel 1</b>      | <b>Tone Generator</b>                  |
| GATE 2                | Controlled by bit 0 of port 61 PPI bit |
| CLK IN 2              | 1.190-MHz Oscillator                   |
| CLK OUT 2             | Used to drive speaker                  |



## **8042 KEYBOARD CONTROLLER**

The keyboard is controlled by an Intel 8042 single-chip microcomputer. The chip is programmed to transmit and receive data from the keyboard, translate scan codes and give data to the system. Communication between the controller and keyboard is in serial format and is synchronized by the clock supplied by the keyboard.

### **Receiving Data from the Keyboard**

Keyboard data is sent in serial format over clock and data lines using an 11-bit data packet:

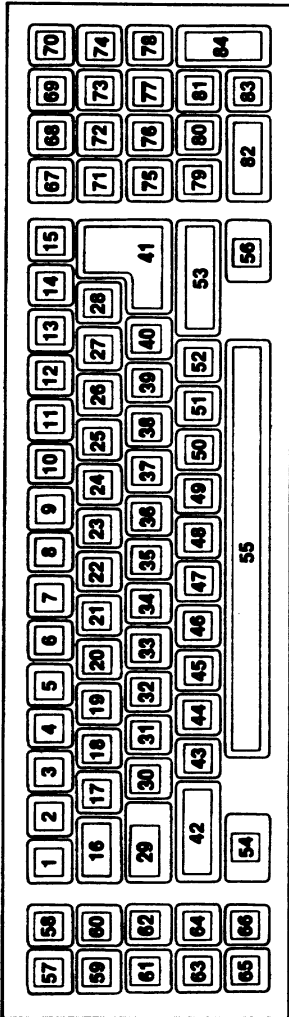
- 1 - start bit (0 bit)
- 8 - data bits (bit 0 first)
- 1 - parity bit
- 1 - stop bit

The keyboard generates the clock signal to time the data to the controller. If the keyboard controller does not receive the data correctly, FFh is placed in its output buffer and bit 7 of the status register is set to 1, indicating a parity error. The keyboard controller also times a byte of data from the keyboard. If the keyboard does not receive data from the controller within two milliseconds, FFh is set in the keyboard controller's output buffer (status register bit 6). The controller will not attempt retries when a receive time-out error occurs.

### **Scan-Code Translation**

Scan codes received from the keyboard by the keyboard controller are converted before being placed in the controller's output buffer. Figure 5-1 shows the keyboard layout with key numbers and Table 6-12 lists the keyboard scan codes and translated system scan codes for each key.

**Key Layout  
Figure 6-1**



**Keyboard Scan-Code Translation Table  
Table 6-12**

| <u>Key #</u> | <u>Keyboard<br/>Scan Code</u> | <u>System<br/>Scan Code</u> |
|--------------|-------------------------------|-----------------------------|
|--------------|-------------------------------|-----------------------------|

Active Scan Codes:

|    |    |     |
|----|----|-----|
| 1  | OE | 29  |
| 2  | 16 | 02  |
| 3  | 1E | 03  |
| 4  | 26 | 04  |
| 5  | 25 | 05  |
| 6  | 2E | 06  |
| 7  | 36 | 07  |
| 8  | 3D | 08  |
| 9  | 3E | 09  |
| 10 | 46 | 0A  |
| 11 | 4  | 50B |
| 12 | 4E | 0C  |
| 13 | 55 | 0D  |
| 14 | 5D | 2B  |
| 15 | 66 | 0E  |
| 16 | OD | 0F  |
| 17 | 15 | 10  |
| 18 | 1D | 11  |
| 19 | 24 | 12  |
| 20 | 2D | 13  |
| 21 | 2C | 14  |
| 22 | 35 | 15  |
| 23 | 3C | 16  |
| 24 | 43 | 17  |
| 25 | 44 | 18  |
| 26 | 4D | 19  |
| 27 | 54 | 1A  |
| 28 | 5B | 1B  |
| 29 | 14 | 1D  |
| 30 | 1C | 1E  |
| 31 | 1B | 1F  |
| 32 | 23 | 20  |
| 33 | 2B | 21  |
| 34 | 34 | 22  |
| 35 | 33 | 23  |

**Keyboard Scan-Code Translation Table  
Table 6-12 (continued)**

| <b>Key #</b> | <b>Keyboard<br/>Scan Code</b> | <b>System<br/>Scan Code</b> |
|--------------|-------------------------------|-----------------------------|
|--------------|-------------------------------|-----------------------------|

Active Scan Codes:

|          |          |    |
|----------|----------|----|
| 36       | 3B       | 24 |
| 37       | 42       | 25 |
| 38       | 4B       | 26 |
| 39       | 4C       | 27 |
| 40       | 52       | 28 |
| 41       | 5A       | 1C |
| 42       | 12       | 2A |
| 43       | 1A       | 2C |
| 44       | 22       | 2D |
| 45       | 21       | 2E |
| 46       | 2A       | 2F |
| 47       | 32       | 30 |
| 48       | 31       | 31 |
| 49       | 3A       | 32 |
| 50       | 41       | 33 |
| 51       | 49       | 34 |
| 52       | 4A       | 35 |
| 53       | 59       | 36 |
| 54       | 11       | 38 |
| 55       | 29       | 39 |
| 56       | 158      | 3A |
| 57       | 05       | 3B |
| 58       | 06       | 3C |
| 59       | 04       | 3D |
| 60       | 0C       | 3E |
| 61       | 03       | 3F |
| 62       | 0B       | 40 |
| 63       | 02 or 83 | 41 |
| 64       | 0A       | 42 |
| 65       | 01       | 43 |
| 66 or 83 | 09       | 44 |
| 67       | 76       | 01 |
| 68       | 77       | 45 |
| 69       | 7E       | 46 |
| 70       | 7F or 84 | 54 |

**Keyboard Scan-Code Translation Table**  
**Table 6-12 (continued)**

| <b>Key #</b> | <b>Keyboard Scan Code</b> | <b>System Scan Code</b> |
|--------------|---------------------------|-------------------------|
|--------------|---------------------------|-------------------------|

Active Scan Codes:

|    |    |    |
|----|----|----|
| 71 | 6C | 47 |
| 72 | 74 | 48 |
| 73 | 7D | 49 |
| 74 | 7C | 37 |
| 75 | 6B | 4B |
| 76 | 73 | 4C |
| 77 | 74 | 4D |
| 78 | 7B | 4A |
| 79 | 69 | 4F |
| 80 | 72 | 50 |
| 81 | 7A | 51 |
| 82 | 70 | 52 |
| 83 | 71 | 53 |
| 84 | 79 | 4E |

---

### **Sending Data to the Keyboard**

If the keyboard does not start clocking data out of the controller within 15 milliseconds, or finish clocking the data out (after it starts clocking) within 2 milliseconds, bit 5 of the status register is set and FEh is placed in the output buffer.

If the keyboard does not respond to the data sent (the keyboard must respond to all data sent from the controller) within a specified time, bits 5 and 6 of the status register are set and FEh is placed in the output buffer.

If the keyboard does not finish clocking the response into the controller within 25 milliseconds, bits 5 and 6 are set in the status register and FEh is placed in the output buffer.

If the keyboard response is received with a parity error, bits 5 and 7 are set in the status register and FEh is placed in the output buffer.

### **Inhibit Capability**

The TeleCAT-286 is provided with the capability to physically inhibit the keyboard. However, the user must install the mechanical/electrical means for inhibiting the keyboard. This can be accomplished by connecting J21 to a key switch. The controller tests the data received from the keyboard to determine if it is a command response or a scan code. A command response is placed in the keyboard controller's output buffer. It is ignored if the data is a scan code.

### **Keyboard Controller System Interface**

The keyboard controller communicates with the system through a status register, an output buffer, and an input buffer.

The status register is an 8-bit register at I/O address 64h providing the current controller status. System input to I/O address 64h is considered a controller command. System input to I/O address 60h is intended for the keyboard and will be checked for parity. It will then be transmitted to the keyboard with odd parity.

The following pages contain bit definitions for the keyboard controller system interface status register.

## **Keyboard Controller System Interface - Status Register**

- Bit 7**                    **Parity Error** - A 0 represents odd parity, and no parity errors were detected in data received from the keyboard. Even parity in the data received from the keyboard represents an error and bit 7 is set to 1.
- Bit 6**                    **Receive Time-Out Error** - A 1 indicates that a transmission from the keyboard was not finished in the specified time.
- Bit 5**                    **Transmit Time Out** - A 1 indicates that a transmission by the keyboard was not clocked out within 2 milliseconds. If the byte is clocked out but the keyboard does not respond, then the receive time out and transmit time outs are set to 1. If the byte is received with a parity error, then the parity error bit and the transmit time-out bit are set to 1.
- Bit 4**                    **Inhibit Switch** - This bit checks the status of the keyboard, whether inhibited or non-inhibited. The check occurs at the input port, bit 7. A 1 identifies the non-inhibited state.

## Keyboard Controller System Interface - Status Register (continued)

- Bit 3**                    **Command/Data** - The 8042 controller uses this bit to decide if the byte in the input buffer is at the command port or the data port. Writing to address 60h sets this bit to 0, writing to address 64h sets the bit to 1.
- Bit 2**                    **System Flag** - This bit can be set or reset by writing to the system's flag bit in the keyboard controller's command byte. It is set to 0 after a power-up reset.
- Bit 1**                    **Input Buffer Full** - A 1 indicates that the input buffer (I/O address 60h or 64h) is full but the controller has not read the data. The buffer is empty when the bit is set to 0.
- Bit 0**                    **Output Buffer Full** - A 1 indicates that the controller has placed data into its output buffer but the system has not read the data. This bit is reset to 0. The output buffer should not be read when the output buffer full bit is 0.

### Output Buffer

The keyboard controller uses the output buffer to send data bytes and scan codes to the system. This 8-bit read-only register at I/O address 60h should be read only when the output buffer's is full (bit 0 = 1).



## **Input Buffer**

The input buffer is an 8-bit write-only register at I/O address 60h or 64h. Data input to 60h will be checked for parity and sent to the keyboard unless the data is intended for use by the controller. Data input to address 64h is compared to known controller commands for a match. Data should not be written to address 64h when the controller's input buffer full bit is 1.

The following is a list of the keyboard controller interface system commands.

### **Keyboard Controller System Interface - System Commands (I/O Address 64h)**

- 20**        **Read Keyboard Controller's Command Byte.**  
The controller puts its current command byte in its output buffer.
- 60**        **Write Command Byte.** The next byte of data written to the controller is placed in the controller's command byte.

Command byte bit definition:

- Bit 7**        Not used (set to 0)
- Bit 6**        **IBM PC-Compatibility Mode** - When set to 1, this bit notifies the controller to convert scan codes received from the keyboard into those used by the IBM PC.
- Bit 5**        **IBM PC Mode** - When set to 1, this bit programs the controller for communication with the IBM PC keyboard interface.

## **Keyboard Controller System Interface - System Commands (I/O Address 64h)**

- Bit 4**      **Keyboard Disable** - When set to 1, this bit blocks the keyboard interface by keeping the clock signal low.
  - Bit 3**      **Inhibit Override** - Overrides the keyboard inhibit function when set to 1.
  - Bit 2**      **System Flag** - The value written to this bit is placed in the system flag bit of the controller's status register.
  - Bit 1**      Not used (set to 0)
  - Bit 0**      **Enable Output-Buffer-Full Interrupt**  
- A 1 causes the keyboard controller to generate an interrupt when it places data in its output buffer.
- AA**      **Self-Test.** Self-test instructs the controller to perform internal tests. A 55h is placed in the output buffer if no errors are detected.

## **Keyboard Controller System Interface - System Commands (I/O Address 64h)**

- AB**      **Interface Test.** Tests the keyboard clock and data lines. Test Results:
- 00    No error detected.
  - 01    The keyboard clock line is stuck low.
  - 02    The keyboard clock line is stuck high.
  - 03    The keyboard data line is stuck low.
  - 04    The keyboard data line is stuck high.
- AC**      **Diagnostic Dump** - Sends 16 bytes of keyboard controller RAM and the current status of the following: Input port, output port, and program status word.
- AD**      **Disable Keyboard Feature** - Sets bit 4 of the command byte, disabling the keyboard interface by keeping the clock line low. No data is sent or received.
- AE**      **Keyboard Interface Enable** - Clears bit 4 of the command byte, releasing the keyboard interface.
- C0**      **Read Input Port** - This command instructs the controller to read the input port and place that information in its output buffer.
- D0**      **Read Output Port** - This command instructs the controller to read its output port and place the data in its output buffer. Issue this command only if the output buffer is empty.

## **Keyboard Controller System Interface - System Commands (I/O Address 64h)**

- D1**            **Write Output Port** - The 8042 controller uses this command to write the next data byte written to I/O address 60h to its output port. Setting this bit to zero (0) will cause a system reset.
- E0**            **Read Test Inputs** - This command signals the controller to read test inputs T0 and T1. The controller then places the results in the output buffer. Bit 0 represents T0 and bit 1 represents T1.
- F0-FF**        **Pulse Output Port** - The controller pulses bits 0 to 3 of the output port for approximately 6 microseconds. Bits 0 - 3 of this command indicate which bits are to be pulsed. The bit should be pulsed if a 0 is encountered, and a 1 indicates the bit should not be pulsed. Bit 0 of the controller's output port is connected to System Reset and pulsing this bit resets the CPU.

### **Controller Ports**

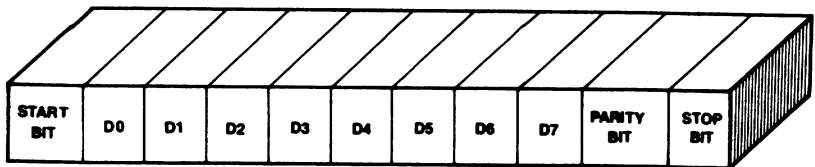
The controller receives input from the system or the keyboard at the input port and information is output through the output port. Input and output are transmitted serially using the clock and data lines. Test inputs T0 and T1, generated by system command E0, indicate clock and data line status.

## RS-232C SERIAL PORT

The RS-232C serial port is based on a National NS16450 Asynchronous Communications Element (ACE). The NS16450 is fully programmable and will add and remove start, stop, and parity bits. It will support 5- to 8-bit characters with 1, 1.5, and 2 stop bits. Baud rate generation can be programmed for one of eight levels, ranging from 110 to 9600 baud. The NS16450 provides prioritized interrupt of the error, line status and receive signals. It also provides data set interrupts. The rear-panel connector for the serial port is a 9-pin D-type connector.

### Serial Data Structure

Figure 6-2 shows the data structure of the serial interface. The start bit is automatically inserted at the beginning of the transmission by the controller. This is followed by bit 0 of the data byte (bit 0 is the first bit to be sent or received). The parity (if supplied) and stop bits are then added to the data format by the controller after bit 7 of the data byte is transmitted/received. The input and output signals for the NS16450 device are fully in accord with EIA standard RS-232C and are described in Reference 2 listed in Table 6-2.



**Serial Interface Data Transmission Structure**  
**Figure 6-2**

## Serial Port Registers

The NS16450 has many registers accessible to the system programmer through the CPU. The serial port can be addressed as either Communications Port 1 (COM1) or Communications Port 2 (COM2) as defined by jumper W1 on the motherboard. Serial port I/O addresses specified in this manual are prefaced with an X. X can be either 3 for COM1 (interrupt level 4) or a 2 for COM2 (interrupt level 3). The registers control serial port operations. Specific registers are selected according to Table 6-15. Detailed descriptions of the registers are given in Reference 2 of Table 6-2, I/O Device Reference Literature.

### Serial Port Registers

Table 6-13

| <u>Address</u> | <u>Register</u>                   | <u>DLAB State</u> |
|----------------|-----------------------------------|-------------------|
| XF8            | TX Buffer                         | 0 (write)         |
| XF8            | RX Buffer                         | 0 (read)          |
| XF8            | Divisor Latch LSB                 | 1                 |
| XF9            | Divisor Latch MSB                 | 1                 |
| XF9            | Interrupt Enable Register         | 0                 |
| XFA            | Interrupt Identification Register |                   |
| XFB            | Line Control Register             |                   |
| XFC            | Modem Control Register            |                   |
| XFD            | Line Status Register              |                   |
| XFE            | Modem Status Register             |                   |
| XFF            | Reserved                          |                   |

Where "X" equals 3 for COM1 and 2 for COM2.

## **PARALLEL PRINTER PORT**

The parallel port is a standard, Centronics-compatible printer that supports most parallel, output-only devices. On the rear panel of the system, the parallel port connector is a 25-pin D-type connector.

The system can support two parallel ports. This port can be selected to operate as Parallel Port 1 (LPT1) or Parallel Port 2 (LPT2) as defined by jumpers at W2 on the motherboard. Parallel port I/O addresses specified in this manual are prefaced with X. X can be either 3 for LPT1 or a 2 for LPT2. Motherboard jumper settings are described in the appendices to this manual.

### **Data Latch (X78h, X7Ch)**

A read command to this address sends data in the printer buffer to the CPU. A write command to this address stores data in the printer buffer.

## Parallel Printer Control Signals (X7Ah, X7Eh)

The signals stored at this address are read by the CPU. The following are the bit definitions:

- Bit 0**            **STROBE** - Strobe is a 0.5-microsecond minimum, high, active pulse for clocking data. The data must be present for a minimum of 0.5 microseconds before and after the pulse.
- Bit 1**            **AUTO FD XT** - A 1 causes the printer to line-feed after a line is printed.
- Bit 2**            **INIT** - A 0 starts the printer (50-microsecond pulse, minimum).
- Bit 3**            **SLCT IN** - A 1 in this bit position selects the printer.
- Bit 4**            **IRQ Enable** - A 1 in this position allows an interrupt to occur when "ACK-" changes from true to false.
- Bit 5 - Bit 7**    Not used

## Printer Status (X79h, X7Dh)

This byte is read by the CPU. The following are bit definitions:

- Bit 0 - Bit 2**    **Unused**
- Bit 3**            **Error** - A 0 indicates printer error.
- Bit 4**            **SLCT** - When set to 1, this bit indicates that the printer has been selected.
- Bit 5**            **PE** - A 1 indicates that the printer has reached the end of the paper.



## **Printer Status (X79h, X7Dh) (continued)**

**Bit 6**            **ACK** - When set to 0, this bit indicates that the printer has received a character and is ready to receive another character.

**Bit 7**            **BUSY** - This bit indicates that the printer is busy and cannot accept data. The busy signal may indicate that the printer is not working, the print head is moving, or that the printer is currently receiving data.

)

)

)

## 7 HARDWARE PROGRAMMING - DISKETTE/FIXED DISK CONTROLLER

### DISKETTE CONTROLLER

The diskette controller uses a write only, digital-output register at 3F2h to control the drive motors, drive selection, and feature enable. Table 7-1 lists the bit assignments for the digital-output register.

**Digital-Output Register**  
**Table 7-1**

| 7 | 6 | 5 | 4 | 3 | 2 | 1 | 0   |
|---|---|---|---|---|---|---|---|
|   |   |   |   |   |   |   |   |
|   |   |   |   |   |   | 0 | 0 = Drive A selected                              |
|   |   |   |   |   |   | 1 | 0 = Drive B selected                              |
|   |   |   |   |   |   |   | 0 = diskette controller held reset                |
|   |   |   |   |   |   |   | 1 = diskette controller enabled                   |
|   |   |   |   |   |   |   | 0 = Interrupt and DMA request I/O driver disabled |
|   |   |   |   |   |   |   | 1 = Interrupt and DMA request I/O drive enabled   |
|   |   |   |   |   |   |   | 0 = Drive A motor off                             |
|   |   |   |   |   |   |   | 1 = Drive A motor on                              |
|   |   |   |   |   |   |   | 0 = Drive B motor off                             |
|   |   |   |   |   |   |   | 1 = Drive B motor on                              |
|   |   |   |   |   |   |   | Not used  |

The diskette controller has two registers accessible to the CPU: a status register at 3F4h and a data register at 3F5h. The status register contains status information on the diskette controller, shown in Table 7-2, and may be accessed at any time.

### Disk Controller Programming 7.1

The data register stores data, commands, and parameters and provides diskette drive status information. Data bytes are read from or written to the data register in order to program or obtain results after a command.

**Diskette Controller Status Register (3F4h)**

**Table 7-2**

| Bit | 7 | 6 | 5 | 4 | 3 | 2 | 1 | 0   |
|-----|---|---|---|---|---|---|---|---|
|     |   |   |   |   |   |   |   |   |
|     |   |   |   |   |   |   |   | 1 = Drive A is in the seek mode                                 |
|     |   |   |   |   |   |   |   | 1 = Drive B is in the seek mode                                 |
|     |   |   |   |   |   |   |   | not used  |
|     |   |   |   |   |   |   |   | 1 = Drive is busy - a read or write command is in progress      |
|     |   |   |   |   |   |   |   | 1 = Drive is in the non-DMA mode                                |
|     |   |   |   |   |   |   |   | 0 = Data transfer from CPU to diskette controller data register |
|     |   |   |   |   |   |   |   | 1 = Data transfer from diskette controller data register to CPU |
|     |   |   |   |   |   |   |   | 1 = Data register ready to send or receive data                 |

The diskette controller is capable of performing 15 different commands. Commands are initiated by a multibyte transfer from the CPU. The result after execution of a command may include a multibyte transfer back to the CPU. Table 7-3 is a summary of the diskette controller commands. Table 7-4 defines the symbols used in the command table.

# Diskette Controller Command Summary

## Table 7-3

| DATA BUS         |       |     |    |    |    |     |    |    |     |     |               |
|------------------|-------|-----|----|----|----|-----|----|----|-----|-----|---------------|
| Command          | Phase | R/W | D7 | D6 | D5 | D4  | D3 | D2 | D1  | D0  | Remarks       |
| <b>READ DATA</b> |       |     |    |    |    |     |    |    |     |     |               |
| Command          | W     |     | MT | MF | SK | 0   | 0  | 1  | 1   | 0   | Command Codes |
|                  | W     |     | x  | x  | x  | x   | x  | HD | US1 | US0 |               |
|                  | W     |     |    |    |    |     |    |    |     |     | Sector ID     |
|                  | W     |     |    |    |    |     |    |    |     |     | information   |
|                  | W     |     |    |    |    |     |    |    |     |     | prior to      |
|                  | W     |     |    |    |    |     |    |    |     |     | command       |
|                  | W     |     |    |    |    |     |    |    |     |     | execution.    |
|                  | W     |     |    |    |    |     |    |    |     |     |               |
|                  | W     |     |    |    |    |     |    |    |     |     |               |
| Execution        |       |     |    |    |    |     |    |    |     |     | Data transfer |
|                  |       |     |    |    |    |     |    |    |     |     | between drive |
|                  |       |     |    |    |    |     |    |    |     |     | and           |
|                  |       |     |    |    |    |     |    |    |     |     | system.       |
| Result           | R     |     |    |    |    | ST0 |    |    |     |     | Status infor- |
|                  | R     |     |    |    |    | ST1 |    |    |     |     | mation after  |
|                  | R     |     |    |    |    | ST2 |    |    |     |     | command       |
|                  |       |     |    |    |    |     |    |    |     |     | execution.    |
|                  | R     |     |    |    |    | C   |    |    |     |     | Sector ID     |
|                  | R     |     |    |    |    | H   |    |    |     |     | information   |
|                  | R     |     |    |    |    | R   |    |    |     |     | after command |
|                  | R     |     |    |    |    | N   |    |    |     |     | execution.    |

# Diskette Controller Command Summary

## Table 7-3 (continued)

### READ DELETED DATA

| Command   | W | MT | MF | SK | 0   | 1 | 1  | 0   | 0   | Command Codes                                    |
|-----------|---|----|----|----|-----|---|----|-----|-----|--|
|           | W | x  | x  | x  | x   | x | HD | US1 | US0 |  |
|           | W |    |    |    | C   |   |    |     |     | Sector ID information prior to command execution |
|           | W |    |    |    | H   |   |    |     |     |  |
|           | W |    |    |    | R   |   |    |     |     |  |
|           | W |    |    |    | N   |   |    |     |     |  |
|           | W |    |    |    | EOT |   |    |     |     |  |
|           | W |    |    |    | GPL |   |    |     |     |  |
|           | W |    |    |    | DTL |   |    |     |     |  |
| Execution |   |    |    |    |     |   |    |     |     | Data transfer between drive and system.          |
| Result    | R |    |    |    | ST0 |   |    |     |     | Status information after command execution.      |
|           | R |    |    |    | ST1 |   |    |     |     |  |
|           | R |    |    |    | ST2 |   |    |     |     |  |
|           | R |    |    |    | C   |   |    |     |     | Sector ID information after command execution.   |
|           | R |    |    |    | H   |   |    |     |     |  |
|           | R |    |    |    | R   |   |    |     |     |  |
|           | R |    |    |    | N   |   |    |     |     |  |

### WRITE DATA

| Command | W | MT | MF | 0 | 0   | 0 | 1  | 0   | 1   | Command Codes                                    |
|---------|---|----|----|---|-----|---|----|-----|-----|--|
|         | W | x  | x  | x | x   | x | HD | US1 | US0 |  |
|         | W |    |    |   | C   |   |    |     |     | Sector ID information prior to command execution |
|         | W |    |    |   | H   |   |    |     |     |  |
|         | W |    |    |   | R   |   |    |     |     |  |
|         | W |    |    |   | N   |   |    |     |     |  |
|         | W |    |    |   | EOT |   |    |     |     |  |
|         | W |    |    |   | GPL |   |    |     |     |  |
|         | W |    |    |   | DTL |   |    |     |     |  |

**Diskette Controller Command Summary  
Table 7-3 (continued)**

|           |   |  |  |  |  |  |  |  |  |
|-----------|---|--|--|--|--|--|--|--|--|
| Execution |   |  |  |  |  |  |  |  | Data transfer between drive and system.        |
| Result    | R |  |  |  |  |  |  |  | Status information after command execution.    |
|           | R |  |  |  |  |  |  |  | Sector ID information after command execution. |
|           | R |  |  |  |  |  |  |  | Sector ID information after command execution. |
|           | R |  |  |  |  |  |  |  | Sector ID information after command execution. |
|           | R |  |  |  |  |  |  |  | Sector ID information after command execution. |
|           | R |  |  |  |  |  |  |  | Sector ID information after command execution. |
|           | R |  |  |  |  |  |  |  | Sector ID information after command execution. |

**WRITE DELETED DATA**

|           |   |    |    |   |   |   |    |     |     |   |
|-----------|---|----|----|---|---|---|----|-----|-----|---|
| Command   | W | MT | MF | 0 | 0 | 1 | 0  | 0   | 1   | Command Codes                                     |
|           | W | x  | x  | x | x | x | HD | US1 | US0 |   |
|           | W |    |    |   |   |   |    |     |     | Sector ID information prior to command execution. |
|           | W |    |    |   |   |   |    |     |     | Sector ID information prior to command execution. |
|           | W |    |    |   |   |   |    |     |     | Sector ID information prior to command execution. |
|           | W |    |    |   |   |   |    |     |     | Sector ID information prior to command execution. |
|           | W |    |    |   |   |   |    |     |     | Sector ID information prior to command execution. |
|           | W |    |    |   |   |   |    |     |     | Sector ID information prior to command execution. |
| Execution |   |    |    |   |   |   |    |     |     | Data transfer between drive and system.           |
| Result    | R |    |    |   |   |   |    |     |     | Status information after command execution.       |
|           | R |    |    |   |   |   |    |     |     | Status information after command execution.       |
|           | R |    |    |   |   |   |    |     |     | Status information after command execution.       |
|           | R |    |    |   |   |   |    |     |     | Status information after command execution.       |
|           | R |    |    |   |   |   |    |     |     | Status information after command execution.       |
|           | R |    |    |   |   |   |    |     |     | Status information after command execution.       |
|           | R |    |    |   |   |   |    |     |     | Status information after command execution.       |

**Diskette Controller Command Summary**  
**Table 7-3 (continued)**

| READ A TRACK |   |   |    |    |     |   |    |     |     |                |
|--------------|---|---|----|----|-----|---|----|-----|-----|----------------|
| Command      | W | 0 | MF | SK | 0   | 0 | 0  | 1   | 0   | Command Codes  |
|              | W | x | x  | x  | x   | x | HD | US1 | US0 | )              |
|              | W |   |    |    | C   |   |    |     |     | Sector ID      |
|              | W |   |    |    | H   |   |    |     |     | information    |
|              | W |   |    |    | R   |   |    |     |     | prior to       |
|              | W |   |    |    | N   |   |    |     |     | command        |
|              | W |   |    |    | EOT |   |    |     |     | execution      |
|              | W |   |    |    | GPL |   |    |     |     |                |
|              | W |   |    |    | DTL |   |    |     |     |                |
| Execution    |   |   |    |    |     |   |    |     |     | Data transfer  |
|              |   |   |    |    |     |   |    |     |     | between drive  |
|              |   |   |    |    |     |   |    |     |     | and system.    |
|              |   |   |    |    |     |   |    |     |     | Diskette       |
|              |   |   |    |    |     |   |    |     |     | controller     |
|              |   |   |    |    |     |   |    |     |     | reads all      |
|              |   |   |    |    |     |   |    |     |     | cylinders from |
|              |   |   |    |    |     |   |    |     |     | index hole to  |
|              |   |   |    |    |     |   |    |     |     | EOT.           |
| Result       | R |   |    |    | ST0 |   |    |     |     | Status         |
|              | R |   |    |    | ST1 |   |    |     |     | information    |
|              | R |   |    |    | ST2 |   |    |     |     | after command  |
|              | R |   |    |    | C   |   |    |     |     | execution.     |
|              | R |   |    |    | H   |   |    |     |     | Sector ID      |
|              | R |   |    |    | R   |   |    |     |     | information    |
|              | R |   |    |    | N   |   |    |     |     | after command  |
|              | R |   |    |    |     |   |    |     |     | execution.)    |



## Diskette Controller Command Summary

### Table 7-3 (continued)

| READ ID   |   |   |    |   |     |   |    |     |     |   |
|-----------|---|---|----|---|-----|---|----|-----|-----|---|
| Command   | W | 0 | MF | 0 | 0   | 1 | 0  | 1   | 0   | Command Codes   |
| Execution | W | x | x  | x | x   | x | HD | US1 | US0 | First correct ID information cylinder is stored in data register. |
| Result    | R |   |    |   | ST0 |   |    |     |     | Status information after command execution.                       |
|           | R |   |    |   | ST1 |   |    |     |     | Sector ID information during execution.                           |
|           | R |   |    |   | ST2 |   |    |     |     |   |
|           | R |   |    |   | C   |   |    |     |     |   |
|           | R |   |    |   | H   |   |    |     |     |   |
|           | R |   |    |   | R   |   |    |     |     |   |
|           | R |   |    |   | N   |   |    |     |     |   |

| FORMAT A TRACK |   |   |    |   |     |   |    |     |     |  |
|----------------|---|---|----|---|-----|---|----|-----|-----|--|
| Command        | W | 0 | MF | 0 | 0   | 1 | 1  | 0   | 1   | Command Codes  |
| Execution      | W | x | x  | x | x   | x | HD | US1 | US0 | Bytes/Sector<br>Sector/Track<br>Gap 3<br>Filler byte.<br>Diskette Controller formats an entire cylinder. |
|                | W |   |    |   | N   |   |    |     |     |  |
|                | W |   |    |   | SC  |   |    |     |     |  |
|                | W |   |    |   | GPL |   |    |     |     |  |
|                | W |   |    |   | D   |   |    |     |     |  |

## Diskette Controller Command Summary

### Table 7-3 (continued)

|        |   |  |     |                 |
|--------|---|--|-----|-----------------|
| Result | R |  | ST0 | Status          |
|        | R |  | ST1 | information     |
|        | R |  | ST2 | after command   |
|        | R |  | C   | execution. In   |
|        | R |  | H   | this case, ID   |
|        | R |  | R   | information     |
|        | R |  | N   | has no meaning. |

#### SCAN EQUAL

|         |   |    |    |    |     |   |    |     |     |               |
|---------|---|----|----|----|-----|---|----|-----|-----|---------------|
| Command | W | MT | MF | SK | 1   | 0 | 0  | 0   | 1   | Command Codes |
|         | W | x  | x  | x  | x   | x | HD | US1 | US0 |               |
|         | W |    |    |    | C   |   |    |     |     | Sector ID     |
|         | W |    |    |    | H   |   |    |     |     | information   |
|         | W |    |    |    | R   |   |    |     |     | prior to      |
|         | W |    |    |    | N   |   |    |     |     | command       |
|         | W |    |    |    | EOT |   |    |     |     | execution.    |
|         | W |    |    |    | GPL |   |    |     |     |               |
|         | W |    |    |    | DTL |   |    |     |     |               |
|         | W |    |    |    | STP |   |    |     |     |               |

Execution Data compared between drive and system.

|        |   |  |     |               |
|--------|---|--|-----|---------------|
| Result | R |  | ST0 | Status        |
|        | R |  | ST1 | information   |
|        | R |  | ST2 | after command |
|        | R |  | C   | execution.    |
|        | R |  | H   | Sector ID     |
|        | R |  | R   | information   |
|        | R |  | N   | after command |
|        |   |  |     | execution.    |

# Diskette Controller Command Summary

## Table 7-3 (continued)

### SCAN LOW OR EQUAL

| Command   | W | MT | MF | SK | 1   | 1 | 0  | 0   | 1   | Command Codes                                     |
|-----------|---|----|----|----|-----|---|----|-----|-----|---|
|           | x | x  | x  | x  | x   | x | HD | US1 | US0 | Sector ID information prior to command execution. |
|           | W |    |    |    | C   |   |    |     |     |   |
|           | W |    |    |    | H   |   |    |     |     |   |
|           | W |    |    |    | R   |   |    |     |     |   |
|           | W |    |    |    | N   |   |    |     |     |   |
|           | W |    |    |    | EOT |   |    |     |     |   |
|           | W |    |    |    | GPL |   |    |     |     |   |
|           | W |    |    |    | DTL |   |    |     |     |   |
|           | W |    |    |    | STP |   |    |     |     |   |
| Execution |   |    |    |    |     |   |    |     |     | Data compared between drive and system.           |
| Result    | R |    |    |    | ST0 |   |    |     |     | Status information after command execution.       |
|           | R |    |    |    | ST1 |   |    |     |     | Sector ID information after command execution.    |
|           | R |    |    |    | ST2 |   |    |     |     |   |
|           | R |    |    |    | C   |   |    |     |     |   |
|           | R |    |    |    | H   |   |    |     |     |   |
|           | R |    |    |    | R   |   |    |     |     |   |
|           | R |    |    |    | N   |   |    |     |     |   |

**Diskette Controller Command Summary**  
**Table 7-3 (continued)**

**SCAN HIGH OR EQUAL**

|           |   |    |    |    |     |   |    |     |     |               |
|-----------|---|----|----|----|-----|---|----|-----|-----|---------------|
| Command   | W | MT | MF | SK | 1   | 1 | 1  | 0   | 1   | Command Codes |
|           | W | x  | x  | x  | x   | x | HD | US1 | US0 |               |
|           | W |    |    |    | C   |   |    |     |     | Sector ID     |
|           | W |    |    |    | H   |   |    |     |     | information   |
|           | W |    |    |    | R   |   |    |     |     | prior to      |
|           | W |    |    |    | N   |   |    |     |     | command       |
|           | W |    |    |    | EOT |   |    |     |     | execution.    |
|           | W |    |    |    | GPL |   |    |     |     |               |
|           | W |    |    |    | DTL |   |    |     |     |               |
|           | W |    |    |    | STP |   |    |     |     |               |
| Execution |   |    |    |    |     |   |    |     |     | Data compared |
|           |   |    |    |    |     |   |    |     |     | between drive |
|           |   |    |    |    |     |   |    |     |     | and           |
|           |   |    |    |    |     |   |    |     |     | system.       |
| Result    | R |    |    |    | ST0 |   |    |     |     | Status        |
|           | R |    |    |    | ST1 |   |    |     |     | information   |
|           | R |    |    |    | ST2 |   |    |     |     | after command |
|           | R |    |    |    | C   |   |    |     |     | execution.    |
|           | R |    |    |    | H   |   |    |     |     | Sector ID     |
|           | R |    |    |    | R   |   |    |     |     | information   |
|           | R |    |    |    | N   |   |    |     |     | after command |
|           |   |    |    |    |     |   |    |     |     | execution.    |

**RECALIBRATION**

|           |   |   |   |   |   |   |   |     |     |                  |
|-----------|---|---|---|---|---|---|---|-----|-----|------------------|
| Command   | W | 0 | 0 | 0 | 0 | 0 | 1 | 1   | 1   | Command Codes    |
|           | W | x | x | x | x | x | 0 | US1 | US0 |                  |
| Execution |   |   |   |   |   |   |   |     |     | Head retracts to |
|           |   |   |   |   |   |   |   |     |     | track 0.         |

## Diskette Controller Command Summary

### Table 7-3 (continued)

#### SENSE INTERRUPT STATUS

|         |   |   |   |   |     |   |   |   |   |                |
|---------|---|---|---|---|-----|---|---|---|---|----------------|
| Command | W | 0 | 0 | 0 | 0   | 1 | 0 | 0 | 0 | Command Codes  |
| Result  | R |   |   |   | ST0 |   |   |   |   | Status         |
|         | R |   |   |   | PCN |   |   |   |   | information    |
|         |   |   |   |   |     |   |   |   |   | at end of seek |
|         |   |   |   |   |     |   |   |   |   | operation.     |

#### SPECIFY

|         |   |                         |   |   |   |   |   |   |   |               |
|---------|---|-------------------------|---|---|---|---|---|---|---|---------------|
| Command | W | 0                       | 0 | 0 | 0 | 0 | 0 | 1 | 1 | Command Codes |
|         | W | ---SRT----- -----HUT--- |   |   |   |   |   |   |   |               |
|         | W | -----HLT-----  ND       |   |   |   |   |   |   |   |               |

#### SENSE DRIVE STATUS

|         |   |   |   |   |     |   |    |     |     |               |
|---------|---|---|---|---|-----|---|----|-----|-----|---------------|
| Command | W | 0 | 0 | 0 | 0   | 0 | 1  | 0   | 0   | Command Codes |
|         | W | x | x | x | x   | x | HD | US1 | US0 | Status        |
| Result  | R |   |   |   | ST3 |   |    |     |     | drive         |
|         |   |   |   |   |     |   |    |     |     | information   |

#### SEEK

|           |   |   |   |   |     |   |    |     |     |                 |
|-----------|---|---|---|---|-----|---|----|-----|-----|-----------------|
| Command   | W | 0 | 0 | 0 | 0   | 1 | 1  | 1   | 1   | Command Codes   |
|           | W | x | x | x | x   | x | HD | US1 | US0 |                 |
|           | W |   |   |   | NCN |   |    |     |     |                 |
| Execution |   |   |   |   |     |   |    |     |     | Head positioned |
|           |   |   |   |   |     |   |    |     |     | over proper     |
|           |   |   |   |   |     |   |    |     |     | cylinder on     |
|           |   |   |   |   |     |   |    |     |     | diskette.       |

**Diskette Controller Command Summary  
Table 7-3 (continued)**

|         |   |                |   |
|---------|---|----------------|---|
|         |   | <b>INVALID</b> |   |
| Command | W | Invalid Codes  | Invalid command codes (No Op - controller goes into standby state).<br>ST0 = %80. |
| Result  | R | ST0            |   |

**DKC Command Symbols  
Table 7-4**

| Symbol | Name            | Description  |
|--------|-----------------|--|
| C      | Cylinder Number | The current selected cylinder (track) number.  |
| D      | Data            | The data pattern that is written into a sector.  |
| D7-D0  | Data Bus        | 8-bit data bus, where D7 stands for the most significant bit and D0 the least significant bit.   |
| DTL    | Data Length     | When N is defined as 00, DTL stands for data length that users read from or write to the sector. |
| EOT    | End of Track    | The final sector number on a cylinder.   |
| GPL    | Gap Length      | The length of gap 3 (spacing between sectors excluding VCO sync field).                          |
| H      | Head Address    | The head number 0 or 1, as specified in the ID field.  |

**Diskette Controller Command Symbols**  
**Table 7-4 (continued)**

| Symbol | Name             | Description  |
|--------|------------------|--|
| HD     | Head             | A selected head number 0 or 1. (H=HD in all command words.)  |
| HLT    | Head Load Time   | The head load time in the drive (2 to 256 milliseconds in 2-millisecond increments for the 1.2-Mbyte drive and 4 to 512 milliseconds in 4-millisecond increments for the 360-Kbyte drive).                                     |
| HUT    | Head Unload Time | The head unload time after a read or write operation has occurred (0 to 240 milliseconds in 16-millisecond increments for the 1.2-Mbyte drive and 0 to 480 milliseconds in 32-millisecond increments for the 360-Kbyte drive). |
| MF     | FM or MFM Mode   | If MF is low, FM mode is selected. If it is high, MFM mode is selected only if MFM is implemented.   |
| MT     | Multi-Track      | If MT is high, a multi-track operation is to be performed. (A cylinder under both HD0 and HD1 will be read or written.)  |
| N      | Number           | The number of data bytes written in a sector.  |
| NCN    | New Cylinder     | A new cylinder number to define the desired position of the head after the seek operation.   |

**Diskette Controller Command Symbols**  
**Table 7-4 (continued)**

| <b>Symbol</b> | <b>Name</b>      | <b>Description</b>   |
|---------------|------------------|--|
| ND            | Non-DMA Mode     | Operation in the non-DMA mode.   |
| PCN           | Present Cylinder | Cylinder number at the completion of sense-interrupt-status command that indicates the position of the head at the present time.   |
| R             | Record           | The sector number to be read or written.   |
| R/W           | Read/Write       | Either a read or write operation.  |
| SC            | Sector           | Indicates the number of sectors per cylinder.  |
| SK            | Skip             | Skip deleted-data address mark.  |
| SRT           | Step Rate Time   | Drive stepping rate 2 to 32 microseconds (in 2-microsecond increments).  |
| ST0           | Status 0         | One of four command status registers that stores status information after a command has been executed. This information is available during the result phase after command execution. These registers should not be confused with the main status register. These registers may only be read after a command has been executed, and contain information relevant to that particular command. |
| ST1           | Status 1         |  |
| ST2           | Status 2         |  |
| ST3           | Status 3         |  |



**Diskette Controller Command Symbols**  
**Table 7-4 (continued)**

| <b>Symbol</b> | <b>Name</b> | <b>Description</b>   |
|---------------|-------------|--|
| STP           | Scan Test   | If STP=1 during a scan operation, the data in contiguous sectors is compared byte-by-byte with data sent from the CPU. If STP=2, then alternate sectors are read and compared. |

**Command Status Register 0**

| <b>Bit</b> | <b>Name</b>     | <b>Description</b>   |
|------------|-----------------|--|
| D0         | Unit Select 0   | Used to indicate a drive unit number at interrupt.   |
| D1         | Unit Select 1   |  |
| D2         | Head Address    | Used to indicate the state of the head at interrupt.   |
| D3         | Not Ready       | This bit is set when the drive is in the not-ready state and a read or write command is issued.  |
| D4         | Equipment Check | This bit is set if a fault is received from the drive, or if the track 0 signal fails to occur after 77 step pulses (recalibrate command). |
| D5         | Seek End        | This bit is set when the diskette controller completes the seek command.   |
| D6         | Interrupt       |  |

### Command Status Register 0 (continued)

| Bit | Name  | Description  |
|-----|-------|--|
| D7  | Code  |  |
|     | D7 D6 |  |
|     | 0 0   | Normal termination of command. Command was completed and properly executed.                                |
|     | 0 1   | Abnormal termination of command. Execution of the command was started, but was not successfully completed. |
|     | 1 0   | Invalid command issue. The command that was issued was never started.                                      |
|     | 1 1   | Abnormal termination because, during execution, the ready signal from the drive changed states.            |

### Command Status Register 1

| Bit | Name            | Description  |
|-----|-----------------|--|
| D0  | Missing Address | This bit is set if the diskette controller cannot detect the ID address mark. Note, the missing address mark in the data field of status register 2 is also set. |
| D1  | Not Writable    | This bit is set if the diskette controller detects a write-protect signal from the drive during execution of a write data, or format disk command.               |

## Command Status Register 1 (continued)

| Bit | Name            | Description   |
|-----|-----------------|---|
| D2  | No Data         | This bit is set if: 1) the diskette controller cannot find the sector specified in the ID register during execution of a read data, write deleted data, or scan command, 2) the diskette controller cannot read the ID field without an error during execution of the read ID command, or 3) the starting sector cannot be found during execution of the read a cylinder command. |
| D3  | Not Used        | Always set = 0  |
| D4  | Over Run        | This bit is set if the diskette controller is not serviced by the main system during data transfers within a certain time interval.   |
| D5  | Data Error      | This bit is set if the diskette controller detects a cyclic redundancy check (CRC) error in either the ID field or the data field.  |
| D6  | Not Used        | Always set = 0  |
| D7  | End of Cylinder | This bit is set when the diskette controller tries to access a sector beyond the final sector of a cylinder.  |

## Command Status Register 2

| Bit | Name                               | Description  |
|-----|------------------------------------|--|
| D0  | Missing Address Mark in Data Field | This bit is set if the diskette controller cannot find a data address mark or deleted data address in Data Field when data is read from the medium.  |
| D1  | Bad Cylinder                       | This bit is set when contents of C on the medium are different from that stored in ID register, or when the contents of C are FFh.                   |
| D2  | Scan Not Satisfied                 | This bit is set if diskette cannot find a sector on the cylinder that meets the condition during execution of scan command.                          |
| D3  | Scan Equal Hit                     | This bit is set if equal condition is satisfied during execution of scan command.  |
| D4  | Wrong Cylinder                     | This bit is set when the contents of C on the medium are different from that stored in the ID register.  |
| D5  | Data Error in Data Field           | This bit is set if the diskette controller detects a CRC error in the data.  |
| D6  | Control Mark                       | This bit is set if the diskette controller encounters a sector containing a deleted data address mark during execution of read data or scan command. |
| D7  | Not Used                           | Always = 0   |

### Command Status Register 3

| Bit | Name          | Description  |
|-----|---------------|--|
| D0  | Unit Select 0 | The status of the unit-select-0 signal from the drive.   |
| D1  | Unit Select 1 | The status of the unit-select-1 signal from the drive.   |
| D2  | Head Address  | The status of the side-select signal from the drive.     |
| D3  | Two Side      | The status of the two-side signal from the drive.        |
| D4  | Track 0       | The status of the track 0 signal from the drive.         |
| D5  | Ready         | The status of the ready signal from the drive.           |
| D6  | Write Protect | The status of the write-protected signal from the drive. |
| D7  | Fault         | The status of the fault signal from the drive.           |

## FIXED (WINCHESTER) DISK CONTROLLER

The Winchester disk controller contains a WD1010-05 Winchester disk controller device to perform executive control over fixed disk operations. To command the board, the system addresses a set of task file registers in the WD1010-05 with the I/O port address of each individual register. Table 7-5 is a list of the individual registers, along with their I/O port addresses for the TeleCAT-286:

**TeleCAT-286 Registers**  
**Table 7-5**

| Address | Read              | Write                  |
|---------|-------------------|------------------------|
| 01F0h   | Data Access       | Data Access            |
| 01F1h   | Error Flags       | Write Precomp Cylinder |
| 01F2h   | Sector Count      | Sector Count           |
| 01F3h   | Sector Number     | Sector Number          |
| 01F4h   | Cylinder Low      | Cylinder Low           |
| 01F5h   | Cylinder High     | Cylinder High          |
| 01F6h   | Sector/Drive/Head | Sector/Drive/Head      |
| 01F7h   | Status Register   | Command Register       |

A detailed description of the WD1010-05 device is given in the Storage Management Products Handbook, June, 1984, published by the Western Digital Corporation, Irvine, CA.

### Data Access

For a typical operation, the task file registers are written to or read for status, and a command is given to the command register. The WD1010-05 then tri-states the address bus and executes the command. At the end of the operation, the task file is again opened to the system.

## **Error Register**

The error register contains error flags for bad block detect, CRC data field, ID not found, aborted command, TK0000 error, and data address mark error. During read operations, the error register is read after the data is read out of buffer RAM, that is, after the byte count goes to zero. The error register bit assignments are listed in Table 7-6.

### **Error Register Bit Assignments**

**Table 7-6**

| <b>Bit</b> | <b>Description</b> |
|------------|--------------------|
|------------|--------------------|

- |   |   |
|---|---|
| 0 | This bit is set during a read sector command if the data address mark is not found after the proper sector ID is read.  |
| 1 | This bit is set only by the restore command. It indicates the head is not positioned over track 000.  |
| 2 | This bit is set if a command was issued while the status register shows a drive fault (bit 5), or command disable (bit 6) condition. This bit is also set if an undefined command is issued.      |
| 4 | This bit is set when the desired cylinder, head, sector, or size parameter cannot be found after 8 revolutions of the disk. This bit is also set if a cyclic redundancy check error has occurred. |
| 6 | This bit is set if a data field CRC error has occurred or the data mark address has not been found.   |
| 7 | This bit is set if an ID field has been encountered that contains a bad block mark (used for bad sector mapping).   |

### **Write Precomp**

Write precomp defines the starting cylinder number at which reduced write current (RWC) begins. This value is in the range 0 to 255, and is internally multiplied by four to obtain the actual cylinder. )

### **Sector Count**

Sector count represents the number of sectors that are to be transferred to buffer RAM. Because this is a decrementing function, all zeros are written for a 256-sector transfer and a 1 is written for a one-sector transfer.

### **Sector Number**

Sector number contains the starting sector of a transfer in the range 0 to 255. This register is incremented with every transfer. )

### **Cylinder Number Low**

Cylinder number low represents the least- significant eight bits of the starting cylinder number in the range 0 through 1023.

### **Cylinder Number High**

Cylinder number high carries the most-significant bits of the starting cylinder number as bits 0(8) and 1(9). The other bits of this register are unused. )



## Sector/Drive/Head Register

The sector/drive/head register contains the sector size, drive number, and head number parameters for the operation:

| Bit |   |   |   |              |                                     |   |                    |
|-----|---|---|---|--------------|-------------------------------------|---|--------------------|
| 7   | 6 | 5 | 4 | 3            | 2                                   | 1 | 0                  |
|     |   |   |   |              |                                     |   |                    |
|     |   |   |   | 0            | 0                                   | 0 | 0 = Select head 0  |
|     |   |   |   | 0            | 0                                   | 0 | 1 = Select head 1  |
|     |   |   |   | .            | .                                   | . | .                  |
|     |   |   |   | 1            | 0                                   | 0 | 0 = Select head 8  |
|     |   |   |   | .            | .                                   | . | .                  |
|     |   |   |   | 1*           | 1                                   | 1 | 1 = Select head 15 |
|     |   |   |   |              |                                     |   |                    |
|     |   |   |   | 0            | = Select drive 1                    |   |                    |
|     |   |   |   | 1            | = Select drive 2                    |   |                    |
|     |   |   |   |              |                                     |   |                    |
|     |   |   |   | 1            | = 512 bytes/sector                  |   |                    |
|     |   |   |   | 0            | = 512 bytes/sector (bit 5 set to 1) |   |                    |
|     |   |   |   |              |                                     |   |                    |
|     |   |   |   | 0 = CRC mode |                                     |   |                    |

**\*NOTE:** Set bit 3 (3F6h) to 1 for heads 8 through 15.

Bit 7, an extension bit, extends the data field by seven bytes when ECC codes are used. When set to 1, CRC is not appended to the end of the data field; the data field becomes sector size +7 bytes long.

The sector/drive/head (SDH) byte written into the ID field is different than the SDH register contents. The recorded SDH byte does not have the drive number written and contains a bad block in bit 7.

### **Status Register**

The status register identifies the status bits for device busy, device ready, write fault (same as WF line), seek complete (same as SC line), data request (same as BDRQ line), command in progress, and error register flags set. The status register bit assignments are listed in Table 7-7.

### **Status Register Bit Assignments** **Table 7-7**

| <b>Bit</b> | <b>Description</b> |
|------------|--------------------|
|------------|--------------------|

- |   |  |
|---|--|
| 0 | This bit is set whenever any bits in the error register are set. The bit is reset when a new command is written into the command register. |
| 1 | When this bit is set, a command is being executed and a new command should not be loaded.  |
| 2 | Not used   |
| 3 | This bit is set when the sector buffer should be loaded or read (depending on the command). It is reset upon completion of the operation.  |
| 4 | This bit is set when a seek is completed.  |
| 5 | This bit indicates a fault condition at the drive when set. An interrupt is generated when this bit is set.                                |

**Status Register Bit Assignments**  
**Table 7-7 (continued)**

**Bit Description**

- 6 This bit reflects the state of DRDY and must be set for commands to execute.
- 7 This bit is set whenever the disk is being accessed. Commands should not be loaded into the command register when this bit is set. This bit is reset at the end of all commands except the read sector command. This bit is reset after the sector buffer is filled on the read sector command.

**Control Register**

Manipulates fixed disk logic. Allows the programmer to set the read and write enable, interrupt acknowledge, reset, buffer ready, buffer counter reset and LED select. The control register bit assignments are listed in Table 7-8.

**Control Register Bit Assignments**  
**Table 7-8**

**Bit Description**

- 0 The fixed disk controller will be reset when this bit is set to 1 followed by resetting to 0.
- 1 Prior to read sector operation, this read enable bit should be set to 1. It should stay high until the end of the read sector command.
- 2 Prior to write sector or write format, this write enable bit should be set to 1. It should stay high until the end of the write sector or write format command.

**Control Register Bit Assignments (continued)**  
**Table 7-8**

**Bit Description**

- 3 The buffer ready bit will be set to 1 after the host transfers a sector of data to/from the buffer during the write/read sector command.
- 4 Acknowledges IRQ14 signal. This bit is set to 1 when the host receives an IRQ signal with data request present (bit 3 of the status register). The host should then transfer a sector of data to/from the disk buffer.
- 5 This bit should be set to 1 and then reset to 0 to reset the buffer counter. This must occur prior to any operation relating to data transfer to/from the disk buffer.
- 6 Not used.
- 7 Fixed drive LED select: 0 = on  
1 = off

**Command Register**

This write-only register is used to load the desired command. A command begins to execute immediately upon loading. This register should not be loaded while bit 1 or 7 is set in the status register.

The command set consists of six commands, as shown in Table 7-9. Prior to loading a command, the task file registers must be set with the proper parameters. Except for the command register, the task file registers can be loaded in any order.

## Command Register Format

Table 7-9

| Command      | 7 | 6 | 5 | 4 | 3  | 2  | 1  | 0  |
|--------------|---|---|---|---|----|----|----|----|
| Restore      | 0 | 0 | 0 | 1 | R3 | R2 | R1 | R0 |
| Seek         | 0 | 1 | 1 | 1 | R3 | R2 | R1 | R0 |
| Read sector  | 0 | 0 | 1 | 0 | I  | M  | 0  | T  |
| Write sector | 0 | 0 | 1 | 1 | 0  | M  | 0  | T  |
| Scan ID      | 0 | 1 | 0 | 0 | 0  | 0  | 0  | T  |
| Write format | 0 | 1 | 0 | 1 | 0  | 0  | 0  | 0  |

### Note:

1. R0 through R3 is the rate field:

| R3 | R2 | R1 | R0 |
|----|----|----|----|
|----|----|----|----|

|   |   |   |                             |
|---|---|---|-----------------------------|
| 0 | 0 | 0 | 0 = approx. 35 microseconds |
| 0 | 0 | 0 | 1 = 0.5 milliseconds        |
| 0 | 0 | 1 | 0 = 1.0 milliseconds        |
| 0 | 0 | 1 | 1 = 1.5 milliseconds        |
| 0 | 1 | 0 | 0 = 2.0 milliseconds        |
| 0 | 1 | 0 | 1 = 2.5 milliseconds        |
| 0 | 1 | 1 | 0 = 3.0 milliseconds        |
| 0 | 1 | 1 | 1 = 3.5 milliseconds        |
| 1 | 0 | 0 | 0 = 4.0 milliseconds        |
| 1 | 0 | 0 | 1 = 4.5 milliseconds        |
| 1 | 0 | 1 | 0 = 5.0 milliseconds        |
| 1 | 0 | 1 | 1 = 5.5 milliseconds        |
| 1 | 1 | 0 | 0 = 6.0 milliseconds        |
| 1 | 1 | 0 | 1 = 6.5 milliseconds        |
| 1 | 1 | 1 | 0 = 7.0 milliseconds        |
| 1 | 1 | 1 | 1 = 7.5 milliseconds        |

2. M is the multiple sector flag:  
0 = transfer 1 sector  
1 = transfer multiple sectors
3. T is the retry flag:           0 = retries enable  
  1 = retries disabled

4. I is the interrupt enable:

- 0 = set interrupt when bit 3 of the status register is set (sector buffer is ready to be loaded or read)
- 1 = set interrupt upon completion of command

**RESTORE** - Restore heads. The restore command is usually used on a power-up condition. The head is stepped back to track 000. If after 1024 stepping pulses, the head is not over track 000, bit 1 of the error flag is set. The stepping rate used is determined by the head settling time. The rate entered into the rate field of the restore command is stored in an internal register and used in future commands with implied seeks (the default stepping rate is 7.5 ms.)

**SEEK** - For seek operations between multiple drives. Since all commands feature an implied seek, the seek command is primarily used for overlap seek operations on multiple drives. The rate field step rate is used and then stored in an internal register for future use.

The value is calculated by comparing the contents of the cylinder high/low registers to the cylinder position number stored internally. After all steps have been issued, the command is terminated.

**READ SECTOR** - Transfers one or more sectors to disk. The task file registers are loaded with the transfer parameters:

Sector count  
Sector number  
Cylinder high/low  
SDH (Sector size, drive number, and head number)

The read sector command must be entered when bit 7 (busy) of the status register reaches a reset condition. When the WD1010-05 receives the read sector command, it checks cylinder registers against the actual cylinder position. The controller must then locate the cylinder and search for an ID field with the proper parameters.

After data is read to the buffer, the BDRQ signal is sent to the host indicating the buffer is ready to be emptied. An interrupt signal is sent to the host upon completion of the command. The host acknowledges the interrupt by strobing address 1F8 (IRQ14ACK) of the interrupt controller.

Multiple sector read transfers are loop operations where M (bit 2) in the read sector command is set to 1. The program decrements the sector count register and increments the sector number register. When the sector count reaches 0, the interrupt request is generated terminating the command.

If the error bit (bit 0 of the status register) is set during the operation, the error register can be read for specific error information.

**WRITE SECTOR** - Writes one or more sectors of information. The task file registers are loaded with the transfer parameters:

- Write precomp cylinder
- Sector count
- Sector number
- Cylinder high/low
- SDH (sector size, drive number, head number)

The write sector command must be entered when bit 7 (busy) of the status register reaches a reset condition. When the WD1010-05 receives the write sector command, it checks cylinder registers against the actual cylinder position. A BDRQ signal sent to the host indicates the buffer is ready to be loaded. The WD1010-05 then scans the disk for proper ID location and writes data to the disk. An interrupt signal is sent to the host upon

completion of the command. The host acknowledges the interrupt by strobing address 1F8 (IRQ14ACK) of the interrupt controller.

Error interrupts occur prior to host to buffer data transfer. If the error bit (bit 0 or the status register) is set during the operation, read the error register for information.

Multiple sector write transfers are loop operations where M (bit 2) in the write sector command is set to 1. The program decrements the sector count register and increments the sector number register. When the sector count reaches 0, the interrupt request is generated terminating the command.

**SCAN ID** - Updates the head, sector size, sector number, and cylinder registers. The internal cylinder position is also updated. This operation is used for multiple drives for an implied seek.

**WRITE FORMAT** - Used to format a single track using the task file and sector buffer. The sector buffer is used for additional parameter information instead of sector data. The task file registers are loaded with the parameters:



Write precomp cylinder: Desired precomp start track/4  
Sector count: Number of sectors to be formatted.  
Sector number: Number of bytes minus three to be used  
for Gap 1 and Gap 3.

$$\text{Gap 3} = 2 * M * S + K + E$$

Where: M = motor speed variation (.03  
for +/-3%)  
S = sector length in bytes  
K = 25 for an interleave  
factor of 1 and 0 for any other  
interleave factor  
E = 7 if the sector is to be  
extended

Cylinder high/low: Desired cylinder number  
SDH: Sector size, drive number, and head number

The write format command must be entered when bit 7  
(busy) of the status register reaches a reset condition.  
When the WD1010-05 receives the write format command,  
it checks cylinder registers against the actual cylinder  
position.

The interleave table in the sector buffer is filled. Each  
sector to be formatted requires a two-byte sequence.  
The first byte indicates whether a bad block mark is to  
be recorded in the sector's ID field. An 80H indicates a  
bad block mark for that sector; a 00H is normal. The  
second byte indicates the logical sector number to be  
recorded. Using this scheme, sectors may be recorded in  
any interleave factor desired. The remaining memory in  
the sector buffer may be filled with any value (but must  
be filled with one sector size worth of data). Table 7-10  
lists the interleaves.

**Interleaves (1 to 1)**  
**Table 7-10**

00, 01, 00, 02, 00, 03, 00, 04,  
05, 00, 06, 00, 07, 00, 08, 00,  
09, 00, 0A, 00, 0B, 00, 0C, 00,  
0D, 00, 0E, 00, 0F, 00, 10, 00,  
11

The write format command will continue a loop operation until the sector count equals 0. An interrupt is then generated terminating the command.

Error interrupts are not generated using the write format command.

## **8     **HARDWARE PROGRAMMING - STREAMING TAPE INTERFACE BOARD****

### **INTRODUCTION**

The Streaming Tape Interface (STI) board is designed to interface the TeleCAT-286 System with the tape drive. The STI operates in any of the TeleCAT-286 motherboard's 16-bit expansion slots.

Physically, the tape interface consists of two 8-bit latches for read operations and two for write operations. There are buffers for data, control and clock signals, and logic circuits for interrupt and DMA control.

Interrupt driven logic controls the tape drive through the standard QIC-02 interface. At the end of each command, an interrupt is generated to the system. This minimizes the programming effort required by the system. Data transfer is accomplished in 512 byte or 256 word blocks. The number of blocks transferred is programmed into the DMA count register. Data transfer is complete when the count register is exhausted.

### **CONFIGURATION**

The STI board may be configured for a variety of I/O addresses. The base address may be one of four jumper-selectable configurations (jumpers J5, J6, and J7): 208h, 108h, 218h, or 118h. Jumper J3 selects one of four interrupt request lines to the DMA. Jumpers J4A and J4B define coupled data request and data acknowledge lines. Refer to the appendices of this manual for tape drive jumper settings.

## DMA TRANSFERS

The STI board contains no local memory. Using system memory as a buffer, the DMA controllers transfers data between tape interface board data buffers and the system. The tape drive requires 512 Kbytes of system RAM to conduct the streaming tape operation.

To maintain the high pace of data transfer required by streaming tape, transfer of data between the interface board and the DMA should be performed by the DMA in "WORD MODE".

## TAPE DRIVE INTERFACE

The tape interface board contains six I/O ports that interface the tape drive to the system. These ports provide control, data, and status information. The I/O read and write operation port addresses are listed in Table 8-1 and described on the following pages.

### I/O Read and Write Operation Ports Table 8-1

#### Read Operations

| <u>Base-address(hex)</u> | <u>Offset</u> | <u>Signal</u> |
|--------------------------|---------------|---------------|
| XXX                      | 0             | RD STATUS-    |
| XXX                      | 3             | RD DR STATUS- |

#### Write Operations

|     |   |             |
|-----|---|-------------|
| XXX | 0 | WR COM/REQ- |
| XXX | 1 | RDSTM ON-   |
| XXX | 2 | WR CNTL-    |
| XXX | 3 | INTACKTAPE- |

Where "XXX" equals 208h, 108h, 218h, or 118h depending on the STI Board jumper settings.

**READ STATUS (RD STATUS-)** - If the drive experiences difficulty during the execution of a command, an exception interrupt is generated to the system. The system responds with a read status (RSTU) or read extended status (ESTU) command to the tape drive. These read operations signal an interrupt to the system and invoke the RD STATUS- signal, enabling the low-byte read latch and transferring the drive status byte to the system. The interrupt and RD STATUS cycle repeats six times to transfer the six drive status bytes.

**READ DRIVE STATUS (RD DR STATUS-)** - Drive status information is obtained by reading the two latches at this I/O port address. The first latch provides bits 0-3 of the drive status by reading back the control signals to the Write Command Latch. The second latch provides bits 4-7 from the control signal port from the drive. Together they make the 8-bit wide command status byte. Table 8-2 lists the bit definitions.

**Tape Drive Control Status Bits**  
**Table 8-2**

| <b>Bit</b> | <b>Description</b>  |
|------------|---|
| 0          | On-line (ONLINE) - This bit holds the tape drive in the on-line state. The bit must become active prior to and during read or write operations.   |
| 1          | Reset (RST) - A 1 in this bit resets the tape drive to its initial status and halts all operations.   |
| 2          | Read Status Request (RD STU REQ) - This bit is set after the RSTU or ESTU command is sent and direction (DIR-), ready (RDY-) and RD STATUS- are active. This bit controls transfer timing during each of the six status byte transfers to the system. |

**Tape Drive Control Status bits**  
**Table 8-2 (continued)**

| <b>Bit</b> | <b>Description</b>  |
|------------|---|
| 3          | Interrupt Request/Data Request Enable (IRQ/DRQ) - A 1 in this read or write bit enables an interrupt request to the system and allows selection of a DMA channel for data transfer.           |
| 4          | Acknowledge (ACK-) - In write operations, a 0 in this bit indicates the tape drive received the data from the bus. In read operations, a 0 in this bit means the data is on the host bus.     |
| 5          | Ready (RDY-) - RDY- informs the system it is waiting for another command. It also signals the termination of read and write commands, and readiness to send or receive another block of data. |
| 6          | Exception (EXC-) - A 0 in this bit signals a tape drive malfunction or error in execution of the command. The drive will not accept commands until this bit is reset by RD STATUS-.           |
| 7          | Direction (DIR-) - If this bit is 0, information can be transferred from the tape drive to the system. If set to 1, information is transferred to the drive.                                  |

**WRITE COMMAND/REQUEST (WR COM/REQ-) -** This signal is used to send the command codes to the tape drive. WR COM/REQ- gates the low-byte write data latch and invokes transfer timing signal REQUEST- to the tape drive.

**READ STATE MACHINE ON (RDSTM ON-)** - This byte enables the timing control circuitry after a read command is sent to the tape drive. This signal is sent to the drive before each multiple block transfer command from the DMA.

**WRITE CONTROL (WR CNTL-)** - Writing to this address enables the write control latch. Writing a 1 to each of the TD0-TD3 lines generates the respective control signals ONLINE, RST, REQUEST, and IRQ/DRQ EN. Three of these signals are buffered to the tape drive as TONLINE-, TRST-, and TREQUEST-. The fourth control signal, TTRANSFER-, is generated by ORing the output of the write control latch with the output of request generation logic. TTRANSFER- controls command signal transfer timing.

The INT/DREQ EN signal enables INT or DREQ EN to the system.

Table 8-3 lists the write control latch bit assignments.

**Write Control Latch Bit Assignment**  
**Table 8-3**

| Bit |   |   |                           |
|-----|---|---|---------------------------|
| 3   | 2 | 1 | 0                         |
|     |   |   |                           |
|     |   |   | 0 = Places the drive in   |
|     |   |   | on-line status            |
|     |   | 0 | = Enables IRQ and DRQ     |
|     | 0 |   | = Reset the tape drive    |
| 1   |   |   | = Transfer timing control |

**INTERRUPT ACKNOWLEDGE TAPE (INTACKTAPE-)** - When low, this signal resets the interrupt request line from the interface board.

## DATA FORMAT

Data storage by the tape drive on the tape's four tracks involves the conversion of the data into a GCR format. Data is stored in blocks of 512 bytes, which after conversion, is 5120 bits on tape. Refer to Table 8-4 for the conversion table.

**GRC Conversion Table**  
**Table 8-4**

| TeleCAT-286 Data |       |       |       | Data on Tape |    |    |    |    |
|------------------|-------|-------|-------|--------------|----|----|----|----|
| B7/B3            | B6/B2 | B5/B1 | B4/B0 | G4           | G3 | G2 | G1 | G0 |
| 0                | 0     | 0     | 0     | 1            | 1  | 0  | 0  | 1  |
| 0                | 0     | 0     | 1     | 1            | 1  | 0  | 1  | 1  |
| 0                | 0     | 1     | 1     | 1            | 0  | 0  | 1  | 0  |
| 0                | 0     | 1     | 1     | 1            | 0  | 0  | 1  | 1  |
| 0                | 1     | 0     | 0     | 1            | 1  | 1  | 0  | 1  |
| 0                | 1     | 0     | 1     | 1            | 0  | 1  | 0  | 1  |
| 0                | 1     | 1     | 0     | 1            | 0  | 1  | 1  | 0  |
| 0                | 1     | 1     | 1     | 1            | 0  | 1  | 1  | 1  |
| 1                | 0     | 0     | 0     | 1            | 1  | 0  | 1  | 0  |
| 1                | 0     | 0     | 1     | 0            | 1  | 0  | 0  | 1  |
| 1                | 0     | 1     | 0     | 0            | 1  | 0  | 1  | 0  |
| 1                | 0     | 1     | 1     | 0            | 1  | 0  | 1  | 1  |
| 1                | 1     | 0     | 0     | 1            | 1  | 1  | 1  | 0  |
| 1                | 1     | 0     | 1     | 0            | 1  | 1  | 0  | 1  |
| 1                | 1     | 1     | 0     | 0            | 1  | 1  | 1  | 0  |
| 1                | 1     | 1     | 1     | 0            | 1  | 1  | 1  | 1  |

Data is recorded on tape with G4 first and G0 last.



Timing and address information is added by the drive to every block of data in the following sequence:

1. Preamble
2. Mark
3. Block Address
4. Data Block
5. CRC
6. Postamble

**PREAMBLE** - Designates the beginning of a data field and its related control signals. This is a magnetic flux signal, inverted at a density of 10,000 frpi for up to 300 times. This signal is repeated up to 7000 times to mark the first data block after a buffer underrun is generated or a repositioning is performed, and up to 30,000 times to mark the beginning data block of each track.

**MARK** - Indicates the header of a data block and takes on the following pattern. The MSB is on the left.

|    |    |    |    |    |    |    |    |    |    |
|----|----|----|----|----|----|----|----|----|----|
| G4 | G3 | G2 | G1 | G0 | G4 | G3 | G2 | G1 | G0 |
| 1  | 1  | 1  | 1  | 1  | 1  | 0  | 0  | 1  | 1  |

**DATA BLOCK** - 512 bytes before conversion and 5120 bits after conversion.

**BLOCK ADDRESS** - The block address designates the block recorded on the tape and is four bytes long. Byte 0 of the block address identifies the track where the block address is written. The control nibble of the block address warns if the following bytes contain data or control blocks (see below). The remaining portion of the block address provides the number of the block, which starts at 1 for the first block on the tape. This is incremented block-by-block to generate a serial number for each block. On reaching FFFF, the address starts again at 0.

**CRC** - Ensures that the conversion process functioned properly by checking that every 16 bits of data before conversion resulted in 20 bits after conversion.

**POSTAMBLE** - The postamble designates the end of a data field and its related control signals. This signal is inverted at the maximum density of 10,000 frpi and repeated up to 20 times. This signal is repeated up to 7000 times at the end of a track after a buffer underrun or rewrite is conducted.

## COMMAND CODES

The TeleCAT-286 system communicates with the tape drive using a series of command codes. All commands used by this system are positive true.

Table 8-5 is a list of the commands executed by the tape drive and their byte structure. A description of each command follows the table.

### Command Codes

**Table 8-5**

| Bit      |          |          |          |          |          |          |          | <u>Command</u>    | <u>Symbol</u> |
|----------|----------|----------|----------|----------|----------|----------|----------|-------------------|---------------|
| <u>7</u> | <u>6</u> | <u>5</u> | <u>4</u> | <u>3</u> | <u>2</u> | <u>1</u> | <u>0</u> |                   |               |
| 0        | 0        | 0        | 0        | 0        | 0        | 0        | 1        | Select drive      | SD            |
| 0        | 0        | 0        | 1        | 0        | 0        | 0        | 1        | Select dr lock    | SDL           |
| 1        | 1        | 0        | 0        | 0        | 0        | 0        | 0        | Read status       | RSTU          |
| 0        | 0        | 1        | 0        | 0        | 0        | 0        | 1        | Position to bot   | BOT           |
| 0        | 0        | 1        | 0        | 0        | 0        | 1        | 0        | Erase entire tape | ERA           |
| 0        | 0        | 1        | 0        | 0        | 1        | 0        | 0        | Prewind tape      | PRW           |
| 0        | 1        | 0        | 0        | 0        | 0        | 0        | 0        | Write             | WRT           |
| 1        | 0        | 0        | 0        | 0        | 0        | 0        | 0        | Read              | RD            |
| 0        | 1        | 1        | 0        | 0        | 0        | 0        | 0        | Write file mark   | WFM           |
| 1        | 0        | 1        | 0        | 0        | 0        | 0        | 0        | Read file mark    | RFM           |
| 0        | 1        | 0        | 0        | 0        | 0        | 0        | 1        | Write w/o undrrun | WUNR          |
| 1        | 1        | 0        | 0        | 1        | 0        | 0        | 0        | Read extnded sts  | ESTU          |
| 1        | 1        | 0        | 1        | X        | X        | X        | X        | Test (0 - F)      | TEST          |

**SELECT DRIVE (SD)** - This command selects the drive to perform a command. This command must be issued whenever the TeleCAT-286 system is turned on or reset, even if the system has only one tape drive.

This command must not be issued while a read or write operation is in progress. The command should only be issued once the operation is completed and the tape is rewound.

When a drive is selected with this command and the cassette tape is properly loaded, the LED indicator on the front of the drive should light up.

The bit definitions are listed below:

**Bits**

7 6 5 4 3 2 1 0

0 0 0 0 0 0 0 1 Drive 0 selected

0 0 0 0 0 0 1 0 Drive 1 selected

**Error Conditions**

The following error conditions will cause the drive to reject the command:

1. **Illegal Command** -- The command is issued while the tape drive is performing another operation.
2. **Illegal Command** -- The command selects more than one drive.
3. **Unselected Drive** -- The command selects a non-existing drive (i.e. drive 1 when the system has only one drive).

**SELECT DRIVE, LOCK CASSETTE (SDL)** - This command functions identically to the Select Drive command with one exception. When a cassette tape is loaded in the drive selected by this command, the LED on the bezel lights up. The LED remains on until the Select Drive command is issued or the TeleCAT-286 system is reset.

This command must not be issued while a read or write operation is in progress. The command should only be issued once the operation is completed and the tape is rewound.

**Command Code** - contains the code of the command:

**Bits**

7 6 5 4 3 2 1 0

0 0 1 0 0 0 0 1 Drive 0 selected

0 0 1 0 0 0 1 0 Drive 1 selected

**Error Conditions**

The following error conditions will cause the drive to reject the command:

1. **Illegal Command** -- The command is issued while the tape drive is performing another operation.
2. **Illegal Command** -- The command selects more than one drive.
3. **Unselected Drive** -- The command selects a non-existing drive (i.e. drive 1 when the system has only one drive).

**READ STATUS (RSTU)** - This command provides status and error information on the tape drive. The information is read from the six status bytes from the tape drive.

If the drive experiences difficulty during the execution of the command, it generates the EXC- signal and interrupts the TeleCAT-286 system. The RSTU is the only response to the EXC- interrupt. Do not send any other input command to the drive.

The command code is defined as follows:

**Bits**  
7 6 5 4 3 2 1 0  
1 1 0 0 0 0 0 0

The six status bytes, bytes 0 - 5, from the tape drive are listed and described in Table 8-6.

**Status Byte 0**  
**Table 8-6**

**Bits**  
7 6 5 4 3 2 1 0  
| | | | | | | |  
| | | | | | | 1 = File Mark Detected  
| | | | | | 1 = Block Not Located  
| | | | | 1 = Unrecoverable Data Error  
| | | | 1 = End of Media  
| | | 1 = Write Protected Cassette  
| | 1 = Unselected Drive  
| 1 = Cassette Not In Place  
1 = Error Flag

**Status Byte 0**  
**Table 8-6 (continued)**

| <b>Bit</b> | <b>Description</b>   |
|------------|--|
| 7          | Set whenever one of the bits in this status byte is set. The bit is reset with a read status command.  |
| 6          | Set when no drive is selected, or if the cassette is not loaded properly.  |
| 5          | Set when a command is issued without a selected drive, or when a non-existing drive is selected.   |
| 4          | Set when a command is issued without a selected drive. This bit is also set if the cassette is not properly loaded or is write protected.  |
| 3          | Set when the BOT (Beginning of Tape) is detected during a write or read operation. The bit is reset with any one of the following commands: rewind the tape, retention the tape, and drive select. |
| 2          | Set when a write or read operation fails more than sixteen times on the same data block. The bit is reset with the read status command.  |
| 1          | Indicates that a block address cannot be read after sixteen attempts. Reset the bit with a read status command.  |
| 0          | Set when a file mark is detected during a read operation, and reset with a read status command.  |

**Status Byte 1**  
**Table 8-7**

**Bits**

|          |          |          |          |          |          |          |          |                             |
|----------|----------|----------|----------|----------|----------|----------|----------|-----------------------------|
| <b>7</b> | <b>6</b> | <b>5</b> | <b>4</b> | <b>3</b> | <b>2</b> | <b>1</b> | <b>0</b> |                             |
|          |          |          |          |          |          |          |          |                             |
|          |          |          |          |          |          |          |          | 1 = Power/On, Reset         |
|          |          |          |          |          |          |          |          | 1 = Not Used                |
|          |          |          |          |          |          |          |          | 1 = Bus parity error        |
|          |          |          |          |          |          |          |          | 1 = Beginning Of Media      |
|          |          |          |          |          |          |          |          | 1 = Marginal Block Detected |
|          |          |          |          |          |          |          |          | 1 = No Data Detected        |
|          |          |          |          |          |          |          |          | 1 = Illegal Command         |
|          |          |          |          |          |          |          |          | 1 = Error Flag              |

| <b>Bit</b> | <b>Description</b>  |
|------------|---|
| 7          | Indicates that one or more of the bits in this status byte have been set. The bit is reset with a read status command.                                      |
| 6          | Indicates that an illegal command has been issued, such as specifying more than one drive or issuing a drive select command during a write operation.       |
| 5          | Set when a gap of 380 mm has been detected during a read operation.   |
| 4          | Set when a write operation fails after more than eight attempts in the same block. The bit is also set after the drive has stored all of the received data. |
| 3          | Indicates that the tape is located on the BOT clear reader tape of Track 0.   |
| 2          | Set to 1 when jumpers TP7 and TP8 on the drive are short circuited. This parity error bit is reset with the RSTU command.                                   |

**Status Byte 1**  
**Table 8-7 (continued)**

| <b>Bit</b> | <b>Description</b>   |
|------------|--|
| 1          | Not used.  |
| 0          | Set whenever the TeleCAT-286 is turned on or reset. The bit is reset with the read status command. |

**Status Bytes 2 and 3: Data Error Counter:**

Status bytes 2 and 3 provide a 16-bit binary counter. Transferred to the system with the MSB first, the counter is incremented whenever an error is encountered during a read or write operation.

**Status Bytes 4 and 5: Underrun/Overrun Counter:**

Status bytes 4 and 5 also provide a 16-bit binary counter. Transferred to the system with the MSB first, the counter is incremented whenever there is an overrun of the buffer during a read operation, or an underrun during a write operation.

**POSITION TO BOT (BOT)** - Issued at any tape location, this command rewinds the tape to the beginning. The rewind is complete when the ready signal is active.

**Command Code** - contains the code of the command:

| <b>Bit</b> |   |   |   |   |   |   |   |
|------------|---|---|---|---|---|---|---|
| 7          | 6 | 5 | 4 | 3 | 2 | 1 | 0 |
| 0          | 0 | 1 | 0 | 0 | 0 | 0 | 1 |



## **Error Conditions**

The tape drive will reject this command if any of the following conditions exist when the command is issued:

1. Unselected Drive -- The drive select command was not issued.
2. Cassette Not In Place -- The cassette is not properly loaded in the drive.

The tape drive will reject the command if any of the following conditions occur during its execution:

1. Cassette Not In Place -- The cassette is ejected.
2. Fault -- The drive is unable to start the tape.

**ERASE THE TAPE (ERA)** - This command, which can be executed at any tape position, erases all of the data on the tape. At the completion of the command, the drive rewinds the tape back to the BOT.

**Command Code** - contains the code of the command:

**Bits**

7 6 5 4 3 2 1 0

0 0 1 0 0 0 1 0

## **Error Conditions**

The drive will reject this command if any of the following conditions exist at the time the command is issued:

1. Unselected Drive -- The drive select command was not issued.
2. Cassette Not In Place -- The cassette tape is not properly loaded in the drive.

3. Write Protected Cassette -- The tape is write protected.
4. Illegal Command -- A read operation is being performed.

**PREWIND CASSETTE (PRW)** - This command, which can be run at any tape location, ensures that the tape is wound at the proper tension by running it to the EOT and then by rewinding back to the BOT.

**Command Code** - contains the code of the command:

|             |   |   |   |   |   |   |   |
|-------------|---|---|---|---|---|---|---|
| <b>Bits</b> |   |   |   |   |   |   |   |
| 7           | 6 | 5 | 4 | 3 | 2 | 1 | 0 |
| 0           | 0 | 1 | 0 | 0 | 1 | 0 | 0 |

**Error Conditions**

The following error conditions will cause the tape drive to reject the command:

1. Unselected Drive -- The drive select command was not issued.
2. Cassette Not In Place -- The cassette tape is not loaded properly.

The following error conditions will cause the command to abort:

1. Unselected Drive -- The cassette is ejected.
2. Fault, Timeout -- The drive is unable to start the tape.

**WRITE (WRT)** - This command writes data from the hard disk onto the cassette tape, which consists of four tracks, numbered from 0 to 3.

When the drive is writing data on track 0, it erases the old data prior to storing the new. It also checks to issue accurate data storage by performing a Read after Write Check error detection operation. If an error is detected, the write operation is retried up to sixteen times. The Data Error Counter in the Drive Status byte is incremented every time an error is encountered.

Data is written on the tape starting at the current tape position. If the drive is reset or if a new cassette is loaded, data transfer starts at the BOT.

**Command Code** - contains the code of the command:

**Bits**  
7 6 5 4 3 2 1 0  
0 1 0 0 0 0 0 0

**Repositioning** - If the data streaming operation cannot be maintained because data transfer from the host is slow, the synchronization signal for the last block of data is extended until the next block of data is ready in the buffer. If data is not prepared prior to the end of the extended synchronization signal, the tape rewinds about three data blocks and waits until the data buffer is full. When the tape is restarted, data is written to the tape after the first non-recorded area is detected.

## **Error Conditions**

The tape drive will reject the command if any of the following error conditions exist:

1. **Unselected Drive --** The drive select command was not issued.
2. **Cassette Not In Place --** The tape cassette is not properly loaded.
3. **Write Protected Cassette --** The cassette is write protected.

The following error conditions abort the execution of the command:

1. **Cassette Not In Place --** The cassette is ejected.
2. **Fault, Timeout --** The drive is unable to start the tape.
3. **Marginal Block Detected --** A rewrite operation is repeated more than eight times for the same block. To continue the write operation, issue the write command again.
4. **Unrecoverable Data Error --** A rewrite operation is repeated more than sixteen times to the same block. The occurrence of this error causes the drive to rewind the tape automatically.
5. **End Of Media --** The end of the tape is detected.
6. **Fault, Drive Fault --** The drive's erase head fails to operate during the write operation on Track 0.

The commands RSTU, WRT, WFM, WUNR, and ESTU are valid commands during a write operation.

**READ DATA FROM TAPE (RD)** - This command reads data from the cassette and transfers it to the TeleCAT-286.

A read operation begins from the stop position of the tape. If the drive is reset or if a new cassette is loaded, the read operation starts at the BOT.

If an error is detected during the read operation, the operation can be retried up to sixteen times. The retry includes the block containing the error and two or more succeeding blocks, or until a gap of 380mm is detected. The Data Error Counter is incremented every time a data error is detected.

**Command Code** - contains the code of the command:

| Bits |   |   |   |   |   |   |   |
|------|---|---|---|---|---|---|---|
| 7    | 6 | 5 | 4 | 3 | 2 | 1 | 0 |
| 1    | 0 | 0 | 0 | 0 | 0 | 0 | 0 |

### **Error Conditions**

The drive will reject this command if any of the following error conditions exist at the time the command is issued:

1. **Unselected Drive** -- The drive select command was not issued.
2. **Cassette Not In Place** -- The cassette is not loaded properly in the drive.
3. **Illegal Command** -- The drive is performing a write operation.

The drive will abort the command if any of the following error conditions occur during the execution of the command:

1. **Cassette Not In Place** -- The cassette is ejected.
2. **Fault, Timeout** -- The drive is unable to start the tape.
3. **Unrecoverable Data Error** -- The drive fails to read a block of data without error after sixteen attempts.
4. **No Data Detected** -- The drive detects a gap of 380 mm with no data.
5. **No Data Detected, End Of Media** -- The drive encountered the BOT clear reader tape on the last track.
6. **File Mark Detected** -- The drive detects a file mark.
7. **Fault, BOT, EOT** -- The clear leader tape is detected before the last block from each track is read.

**WRITE FILE MARK (WFM)** - This command writes a file mark to divide major segments of data on tape. If the file mark is being written on track 0, the erase head is activated causing the tracks to be erased before the file marks are written.

**Command Code** - contains the code of the command:

**Bits**

7 6 5 4 3 2 1 0

0 1 1 0 0 0 0 0

## **Error Conditions**

The drive will reject the command if any of the following error conditions exist at the time the command is issued:

1. **Unselected Drive** -- The drive select command was not issued.
2. **Cassette Not In Place** -- The cassette is not properly loaded in the drive.
3. **Write Protected Cassette** -- The cassette is write protected.

If any of the following error conditions occur during the execution of the command, the drive will abort the operation:

1. **Cassette Not In Place** -- The cassette is ejected.
2. **Fault, Timeout** -- The drive is unable to start the tape.
3. **Marginal Block Detected** -- The drive is unable to write the file mark after eight attempts.
4. **Unrecoverable Data Error** -- The drive is unable to write the file mark after sixteen attempts. If this error occurs, the drive will automatically rewind the tape.
5. **End of Media** -- The drive encountered the BOT on the last track.
6. **Drive Fault** -- The erase head on the drive failed to operate.

**READ FILE MARK** - This command runs the tape until it encounters a file mark.

**Command Code** - contains the code of the command:

**Bits**

7 6 5 4 3 2 1 0

1 0 1 0 0 0 0 0

### **Error Conditions**

The drive will reject the command if any of the following conditions exist at the time the command is issued:

1. **Unselected Drive** -- The drive select command was not issued.
2. **Cassette Not In Place** -- The cassette is not properly loaded in the drive.
3. **Illegal Command** -- The drive is performing a write operation.

The drive will terminate the command if any of the following error conditions occur during its execution:

1. **Cassette Not In Place** -- The cassette is ejected.
2. **Fault, Timeout** -- The drive is unable to start the tape.
3. **Unrecoverable Data Error** -- The drive fails to read the file mark after sixteen attempts. The drive responds to this error by rewinding the tape.
4. **No Data Detected** -- The drive detects a gap of 380 mm with no data.



**WRITE WITHOUT UNDERRUN (WUNR)** - If a write underrun occurs, this command writes the previous data block on the tape continuously until the next data block is ready for transfer.

**Command Code** - contains the code of the command:

| <b>Bits</b> |   |   |   |   |   |   |   |
|-------------|---|---|---|---|---|---|---|
| 7           | 6 | 5 | 4 | 3 | 2 | 1 | 0 |
| 0           | 1 | 0 | 0 | 0 | 0 | 0 | 1 |

### **Error Conditions**

The drive will reject the command if any of the following conditions exist at the time the command is issued:

1. **Unselected Drive** -- The drive select command was not issued.
2. **Cassette Not In Place** -- The tape cassette is not properly loaded.
3. **Write Protected Cassette** -- The cassette is write protected.

The following error conditions abort the execution of the command:

1. **Cassette Not In Place** -- The cassette is ejected.
2. **Fault, Timeout** -- The drive is unable to start the tape.
5. **End Of Media** -- The end of the tape is detected.
6. **Fault, Drive Fault** -- The drive's erase head fails to operate during the write operation on Track 0.

**READ EXTENDED STATUS (RSTU)** - This command provides status and error information on the tape drive. The information is read from the six status bytes from the tape drive.

If the drive experiences difficulty during the execution of the command, it generates the EXC- signal and interrupts the TeleCAT-286 system. The ESTU command is sent following an RSTU command or when the RDY-signal to the tape drive is active.

The command code is defined as follows:

**Bits**

7 6 5 4 3 2 1 0

1 1 0 0 1 0 0 0

The six extended status bytes, Identity Code, Fault Status, Selected Drive, Current Track Number, Current Block Address (MSB), and Current Block Address (LSB), are listed and described below.

**Identity Code:**

All bits of the identity code are set to zero for this tape drive. Fault status:

**Fault Status**

**Table 8-8**

**Bits**

7 6 5 4 3 2 1 0

|   |   |   |   |   |   |   |                              |
|---|---|---|---|---|---|---|------------------------------|
|   |   |   |   |   |   |   |                              |
|   |   |   |   |   |   |   | 0 = Not used                 |
|   |   |   |   |   |   | 1 | = Erase current not detected |
|   |   |   |   |   | 1 |   | = BOT/EOT not detected       |
|   |   |   |   | 1 |   |   | = Tape drive failure         |
|   |   |   | 1 |   |   |   | = Buffer memory error        |
|   |   | 1 |   |   |   |   | = RAM memory error           |
|   | 1 |   |   |   |   |   | = ROM memory error           |
| 1 |   |   |   |   |   |   | = Error Flag                 |

All of the Fault Status bits are reset by the reset command.

**Fault Status**  
**Table 8-8 (continued)**

| <b>Bit</b> | <b>Description</b>  |
|------------|---|
| 7          | Set whenever one of the bits in this status byte is set.  |
| 6          | Set when a ROM error is detected when power is turned on or a reset command is generated.   |
| 5          | Set when a system memory error is detected during a power on or reset operation.  |
| 4          | Set when a buffer memory error is detected.   |
| 3          | This bit is set when the tape drive will not start, regardless of the command sent to the drive.  |
| 2          | Set when the beginning or end of a tape cannot be detected.   |
| 1          | This bit is set when normal erase current is not detected during an erase command or the WRT, WFM and WUNR command is operating on track 0. |
| 0          | Not used.   |

### Selected Drive Byte

This byte indicates which drive is in use. Table 8-9 shows the bit definitions.

**Selected Drive**  
**Table 8-9**

| Bits |   |   |   |   |   |   |   |                       |
|------|---|---|---|---|---|---|---|-----------------------|
| 7    | 6 | 5 | 4 | 3 | 2 | 1 | 0 |                       |
| 0    | 0 | 0 | 0 | 0 | 0 | 0 | 1 | Tape drive 0 selected |
| 0    | 0 | 0 | 0 | 0 | 0 | 1 | 0 | Tape drive 1 selected |

### Current Track

This byte identifies the present track in use. The bit definition for each track is shown in Table 8-10.

**Current Track**  
**Table 8-10**

| Bit |   |   |   |   |   |   |   |         |
|-----|---|---|---|---|---|---|---|---------|
| 7   | 6 | 5 | 4 | 3 | 2 | 1 | 0 |         |
| 0   | 0 | 0 | 0 | 0 | 0 | 0 | 0 | Track 0 |
| 0   | 0 | 0 | 0 | 0 | 0 | 0 | 1 | Track 1 |
| 0   | 0 | 0 | 0 | 0 | 0 | 1 | 0 | Track 2 |
| 0   | 0 | 0 | 0 | 0 | 0 | 1 | 1 | Track 3 |
| 0   | 0 | 0 | 0 | 0 | 1 | 0 | 0 | Track 4 |
| 0   | 0 | 0 | 0 | 0 | 1 | 0 | 1 | Track 5 |
| 0   | 0 | 0 | 0 | 0 | 1 | 1 | 0 | Track 6 |
| 0   | 0 | 0 | 0 | 0 | 1 | 1 | 1 | Track 7 |
| 0   | 0 | 0 | 0 | 1 | 0 | 0 | 0 | Track 8 |

### Current Block Address

The 16-bit address of the next data block on the tape is sent to the host in two bytes, starting with the most significant byte (bits 15-8) and then the least significant byte (bits 7-0).

## **9     **HARDWARE PROGRAMMING - HIGH-RESOLUTION COLOR GRAPHICS BOARD****

### **INTRODUCTION**

The high-resolution color graphics board (HRCGB) operates in an alphanumeric mode and bit-mapped graphics modes.

The alphanumeric (alpha) mode provides two resolutions. The low-resolution mode is a 40-column by 25-row display using an 8 x 16-dot high character box and 7 x 9 dot character font with two descenders. The high-resolution mode is an 80-column by 25-row display with an 8 x 16-dot high character box and 7 x 9 dot character font with two descenders. The alphanumeric modes support 256 different character codes. An 8-kilobyte ROM character generator contains the two different fonts and a jumper option gives a single- or double-dot font in a character size of 7 x 9 dot in any alphanumeric mode.

The monochrome mode provides reverse video, blinking, underlining and highlighting character attributes. The color mode has sixteen foreground and eight background colors for each character. Blinking on a per character basis is also available.

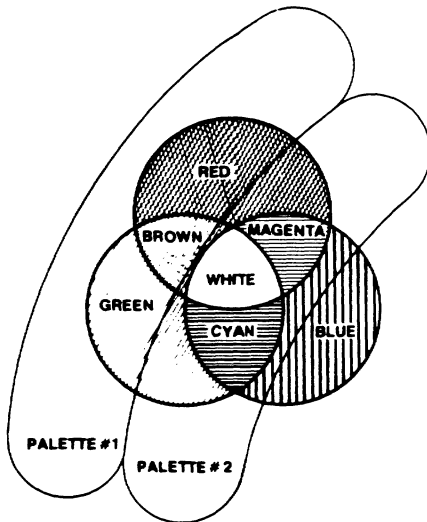
The standard HRCGB contains 32 kilobytes of dynamic memory for use as the display buffer. In the alphanumeric modes, eight screen displays can be stored in the 40 x 25 mode and four screen displays can be stored in the 80 x 25 mode. The start of each display page begins at an even 2- or 4-kilobyte offset and is accessed by changing the offset in the start-address registers.

Two resolutions are provided in the bit-mapped IBM compatible graphics mode: a medium resolution monochrome or four-color graphics mode of 320 x 200 pixels and a high-resolution monochrome mode of 640 x 200 pixels.

An extendable non-IBM compatible graphics mode provides a medium-resolution monochrome or four-color graphics mode of 320 x 400 pixels, a high-resolution monochrome mode of 640 x 400 pixels and a high-resolution 640 x 400 16-color graphics mode.

In the 320 x 200 or 320 x 400 color mode, each pixel can have one of four colors. The background color can be one of sixteen colors, with one of two software-selectable palettes providing the three remaining colors. One palette contains red, green, and brown and the other palette contains cyan, magenta, and white, as shown in Figure 9-1.

**Software-Selectable Palettes**  
**Figure 9-1**



## CONTROLLER PROGRAMMING

There are 16 internal registers in the CRT controller that define and control a raster-scan CRT display. The 5-bit, write-only Index register is used as a pointer to the other eighteen registers. This register is loaded from the CPU by executing an OUT instruction to I/O address 3D4h or 3B4h depending on the setting of DIP switch SW1.

Any one of the 16 controller registers can be loaded by loading the Index register with the necessary pointer (0-15 decimal) and then loading the Data register with the desired value using an OUT instruction to 3B5h or 3D5h. Table 9-1 lists the values that are loaded into the CRT controller registers for controlling the various operational modes.

## CRT Controller Registers

### Table 9-1

| Reg. No. Register           | 40x25 I/O Alpha Hex | 80x25 Alpha Hex | Graphics Mode Hex | 16-Color Graphics Hex |
|-----------------------------|---------------------|-----------------|-------------------|-----------------------|
| R0 Horizontal Total         | WO 38               | 71              | 38                | 71                    |
| R1 Horizontal Displayed     | WO 28               | 50              | 28                | 50                    |
| R2 Horizontal-Sync Position | WO 2D               | 5A              | 2D                | 5A                    |
| R3 Horizontal-Sync Width    | WO 0A               | 0A              | 0A                | 0A                    |
| R4 Vertical Total           | WO 1F               | 1F              | 7F                | 1F                    |
| R5 Vertical Total Adjust    | WO 06               | 06              | 06                | 06                    |
| R6 Vertical Displayed       | WO 19               | 19              | 64                | 19                    |
| R7 Vertical-Sync Position   | WO 1C               | 1C              | 70                | 1C                    |
| R8 Mode Control             | WO 02               | 02              | 02                | 02                    |
| R9 Max. Scan Line           | WO 07               | 07              | 01                | 03                    |
| R10 Cursor Start            | WO 06               | 06              | 06                | 06                    |
| R11 Cursor End              | WO 07               | 07              | 00                | 07                    |
| R12 Start Address MSB       | WO 0(Pg 0)          | 0(Pg 0)         | 00                | 00                    |
| R13 Start Address LSB       | WO 0(Pg 0)          | 0(Pg 0)         | 00                | 00                    |
| R14 Cursor Address MSB      | WO 00               | 00              | 00                | 00                    |
| R15 Cursor Address LSB      | WO 00               | 00              | 00                | 00                    |

**NOTE:** Addresses in start-address and cursor-address registers are offset into graphics memory. The CRT controller views these values as offsets into the character positions, ignoring attribute bytes; therefore, the offsets are 1/2 the offset value as viewed by the CPU.



## MODE-SELECT REGISTER

The 8-bit, write-only, mode-select register is located at 3D8h and is used to select the video mode. Table 9-2 lists the bit assignments for the mode-select register and Table 9-3 summarizes this register.

**Mode-Select Register**  
**Table 9-2**

| Bit | State | Function   |
|-----|-------|--|
| 0   | 0     | 40 x 25 alphanumeric/graphics mode (low resolution)  |
|     | 1     | 80 x 25 alphanumeric mode or 640 x 400 color graphic mode  |
| 1   | 0     | Selects alphanumeric mode  |
|     | 1     | Selects graphics mode  |
| 2   | 0     | Selects color mode   |
|     | 1     | Selects black-and-white mode   |
| 3   | 1     | Enables the video signal at certain times when modes are being changed (the video signal should be disabled when changing modes) |
| 4   | 1     | Selects 640 x 200 or 640 x 400 black-and-white graphics mode   |
| 5   | 1     | Enables blinking attribute in alphanumeric modes   |

Bits 6 and 7 may be in either state.

**Mode-Select Register Summary**  
**Table 9-3**

| Bits |   |   |   |   |   | Mode Selected                                   |
|------|---|---|---|---|---|---|
| 5    | 4 | 3 | 2 | 1 | 0 |   |
| 1    | 0 | 1 | 1 | 0 | 0 | 40 x 25 alphanumeric black-and-white            |
| 1    | 0 | 1 | 0 | 0 | 0 | 40 x 25 alphanumeric color                      |
| 1    | 0 | 1 | 1 | 0 | 1 | 80 x 25 alphanumeric black-and-white            |
| 1    | 0 | 1 | 0 | 0 | 1 | 80 x 25 alphanumeric color                      |
| x    | 0 | 1 | 1 | 1 | 0 | 320 x 200 black-and-white graphics              |
| x    | 0 | 1 | 0 | 1 | 0 | 320 x 200 color graphics                        |
| x    | 1 | 1 | 1 | 1 | 0 | 640 x 200 or 640 x 400 black-and-white graphics |
| x    | 0 | 1 | 0 | 1 | 1 | 640 x 400 16-color graphics mode                |

**COLOR-SELECT REGISTER**

The 8-bit, write-only, color-select register, located at 3D9h controls the foreground color when in the 640 x 200 or 640 x 400 monochrome graphics mode. This register also controls background color when in the 320 x 200, 320 x 400 or 640 x 400 color graphics mode. Table 9-4 lists the bit assignments for the color-select register.

**Color-Select Register**  
**Table 9-4**

| Bit | Function                     | MODE  |                     |
|-----|------------------------------|---|---------------------|
|     |                              | Color Graphics  | Monochrome Graphics |
| 0   | Set blue                     | Background  | Foreground          |
| 1   | Set green                    | Background  | Foreground          |
| 2   | Set red                      | Background  | Foreground          |
| 3   | Set intensity                | Background  | Foreground          |
| 4   | Set background intensity     | Intensified Set   |                     |
| 5   | Palette select               | 0 - red, green, brown<br>1 - cyan, magenta, white                                 |                     |
| 6   | Memory test bit              | 0 - Normal operation<br>1 - CPU access to DRAM locations A000:0 through A000:FFFF |                     |
| 7   | 640 X 400 pixel mode select: | 0 - modes except 640 X 400<br>1 - 640 X 400, 320 X 400                            |                     |

When bit 5 is set to 0, colors are determined as described below by the outputs of shift registers U40 and U41. In the 320X graphics mode data bit assignment is as follows:

|            |          |          |          |          |          |          |          |          |
|------------|----------|----------|----------|----------|----------|----------|----------|----------|
| <u>Bit</u> | <u>7</u> | <u>6</u> | <u>5</u> | <u>4</u> | <u>3</u> | <u>2</u> | <u>1</u> | <u>0</u> |
|            | C1       | C0       | C1       | C0       | C1       | C0       | C1       | C0       |

| <u>C1</u> | <u>C0</u> | <u>Set Selected</u>                                      |
|-----------|-----------|--|
| 0         | 0         | Background, determined by bits 0-3 of the color register |
| 0         | 1         | Green  |
| 1         | 0         | Red  |
| 1         | 1         | Brown  |

When bit 5 is set to 1, colors are determined as follows:

| <u>C1</u> | <u>C0</u> | <u>Set Selected</u>                                      |
|-----------|-----------|--|
| 0         | 0         | Background, determined by bits 0-3 of the color register |
| 0         | 1         | Cyan   |
| 1         | 0         | Magenta  |
| 1         | 1         | White  |

## STATUS REGISTER

Bits 0 - 7 of this read-only status register are located at 3BAh or 3DAh. Bit 7 is located at hex address 3DF. Table 9-5 lists the status register bit assignments.

**Status Register**  
**Table 9-5**

| <b>Bit</b> | <b>Function</b> | <b>Description</b>   |
|------------|-----------------|--|
| 0          | Display enable  | A 1 indicates an inactive display cycle (retrace time).  |
| 1-2        | Not used        |  |
| 3          | Vertical sync   | When active, indicates that the raster is in a vertical retrace mode.  |
| 4-6        | Not used        |  |
| 7          | Card present    | 0 indicates that the TeleVideo High-Resolution Color Graphics Board (HRCGB) is present. This bit is not read by IBM-compatible software and is relevant only to software using the 640 X 400 pixel display mode. |

### **ALPHANUMERIC MODE**

The alphanumeric mode supports 256 character codes. Each display character is defined by two bytes in the display buffer memory. An even-addressed byte contains the character code, and the following odd-addressed byte contains the corresponding character attribute. Table 9-6 lists the bit assignments for the character attribute byte.

## Character Attribute Byte

### Table 9-6

| Function      | Attribute Byte |   |   |    |   |   |   |                       | Background Color | Foreground Color |
|---------------|----------------|---|---|----|---|---|---|-----------------------|------------------|------------------|
|               | 7              | 6 | 5 | 4  | 3 | 2 | 1 | 0                     |                  |                  |
|               | Bk             | R | G | B  | I | R | G | B                     |                  |                  |
| Normal        | BL             | 0 | 0 | In | 1 | 1 | 1 | Black                 | White            |                  |
| Reverse video | BL             | 1 | 1 | In | 0 | 0 | 0 | White                 | Black            |                  |
| Blank (Black) | BL             | 0 | 0 | In | 0 | 0 | 0 | Black                 | Black            |                  |
| Blank (White) | BL             | 1 | 1 | In | 1 | 1 | 1 | White                 | White            |                  |
| Underline     | BL             | 0 | 0 | In | 0 | 0 | 1 | (Monochrome mode set) |                  |                  |

**NOTER** = Red      **BL** = 1: Blinking, 0: steady  
**G** = Green      **In** = Intensity (foreground)  
**B** = Blue      **In** = 1: Intensity set, 0: normal

Bits 0-3 indicate the foreground color and bits 4-6 indicate the background color. The standard display produces white characters on a black background with all other foreground/background code combinations. A color monitor produces the foreground or background colors listed in Table 9-7. The background intensity is set in bit 4 of the color-select register.

**Color Codes**  
**Table 9-7**

| <b>R</b> | <b>G</b> | <b>B</b> | <b>I</b> | <b>Color</b>           |
|----------|----------|----------|----------|------------------------|
| 0        | 0        | 0        | 0        | Black                  |
| 0        | 0        | 1        | 0        | Blue                   |
| 0        | 1        | 0        | 0        | Green                  |
| 0        | 1        | 1        | 0        | Cyan                   |
| 1        | 0        | 0        | 0        | Red                    |
| 1        | 0        | 1        | 0        | Magenta                |
| 1        | 1        | 0        | 0        | Brown                  |
| 1        | 1        | 1        | 0        | White                  |
| 0        | 0        | 0        | 1        | Gray                   |
| 0        | 0        | 1        | 1        | Light Blue             |
| 0        | 1        | 0        | 1        | Light Green            |
| 0        | 1        | 1        | 1        | Light Cyan             |
| 1        | 0        | 0        | 1        | Light Red              |
| 1        | 0        | 1        | 1        | Light Magenta          |
| 1        | 1        | 0        | 1        | Yellow                 |
| 1        | 1        | 1        | 1        | White (High Intensity) |

## **GRAPHICS MODE**

There are five graphics resolution modes:

- \* 620 x 200 monochrome graphics
- \* 320 x 200 4-color graphics
- \* 320 x 400 4-color graphics
- \* 620 x 400 monochrome graphics
- \* 620 x 400 16-color graphics

All modes use memory-mapped graphics. The graphics memory map is shown in Figure 9-2.

**Graphics Memory Addresses**  
**Figure 9-2**

| Address(h) | Function   |
|------------|--|
| 0BFFFF     | 128K Graphics<br>640 x 400 16-Color<br>(64K red and green color bank)                                      |
| .          |  |
| .          |  |
| 0B0000     | (64K blue and intensity color bank)  |
| .          |  |
| 0A0000     |  |
| 0BFFFF     | 32K Graphics<br><br>640 x 400 monochrome<br>640 x 200 monochrome<br>320 x 400 4-color<br>320 x 200 4-color |
| .          |  |
| .          |  |
| .          |  |
| 0B8000     |  |
| .          |  |
| .          | Not Used   |
| .          |  |
| .          |  |
| 0B0FFF     | IBM - Compatible Monochrome Mode (4K)  |
| .          |  |
| 0B0000     |  |

**NOTE:** If 64 Kbytes DRAM are installed on the HRCGB (U1-4 and U11-14), the user may switch between the 32K-graphics and 32K-monochrome modes without loss of data.



## 640 x 200 Monochrome Mode

This mode displays a 640 x 400 non-interlaced screen image. It automatically doubles the number of lines on 640 x 200 line software and organizes graphics memory into two banks (odd and even) of 8 Kbytes. The offset address format is shown in Figure 9-3.

### 640 x 200 Offset Address Format Figure 9-3

(0,0)

-> X

|           |                 |      |
|-----------|-----------------|------|
| 0000 0001 | (even scan) 0   | 004F |
| 2000 2001 | (odd scan) 1    | 204F |
| 0050 0051 | (even scan) 2   | 00AF |
| 2050 2051 | (odd scan) 3    | 20AF |
|           | (even scan) 4   |      |
|           | (odd scan) 5    |      |
|           |                 |      |
|           |                 |      |
| 1EF0 1EF1 | (even scan) 198 |      |
| 3EF0 3EF1 | (odd scan) 199  |      |

Y

(639,199)

The address of each pixel can be derived by the physical address formula:

$$\text{Physical address} = [2000\text{H} * (\text{Y MOD } 2)] + [80 * \text{INTEGER}(\text{Y}/2) + [\text{INTEGER}(\text{X}/8)]]$$

The position in the byte that stores the dot bit is determined by the formula:

$$\text{Bit position} = 7 - (\text{X MOD } 8)$$

The data format is eight pixels per byte as shown in Byte Usage Table 9-8.

**640 x 200 Byte Usage  
Table 9-8**

| 7   | 6   | 5   | 4   | 3   | 2   | 1   | 0   | Bit   |
|-----|-----|-----|-----|-----|-----|-----|-----|-------|
| 1st | 2nd | 3rd | 4th | 5th | 6th | 7th | 8th | pixel |

**320 x 200 Color Mode**

This mode displays a 320 x 400 non-interlaced screen image. It automatically doubles the number of lines on 320 x 200 line software. Graphics memory organization is the same as for 640 x 200 resolution except data is formatted as 4 pixels per byte. Refer to Table 9-9.

**320 x 200 Byte Usage  
Table 9-9**

| 7                   | 6  | 5                    | 4  | 3                   | 2  | 1                    | 0  | Bit |
|---------------------|----|----------------------|----|---------------------|----|----------------------|----|-----|
| C1                  | C0 | C1                   | C0 | C1                  | C0 | C1                   | C0 |     |
| First display pixel |    | Second display pixel |    | Third display pixel |    | Fourth display pixel |    |     |

Each pixel can have one of four colors, while the background color can be one of 16 colors. One of two software-selectable palettes provides the remaining three colors. These are selected by bit 5 of the color-select register. Table 9-4 shows the color selection logic.

The physical address for these pixels is determined by formula:

$$\text{Physical address} = [2000\text{H} * (\text{Y MOD } 2)] + [80 * \text{INTEGER}(\text{Y}/2) + [\text{INTEGER}(\text{X}/4)]]$$

## 320 x 400 Color Mode

This high resolution mode organizes graphics memory into four banks of 8 Kbytes (32 Kbytes total). The offset address format is shown in Figure 9-4.

### 320 x 400 Offset Address Format Figure 9-4

(0,0)

-> X

|           |              |      |
|-----------|--------------|------|
| 0000 0001 | (1st scan)   | 004F |
| 2000 2001 | (2nd scan)   | 204F |
| 4000 4001 | (3rd scan)   | 404F |
| 6000 6001 | (4th scan)   | 604F |
| 0050 0051 | (5th scan)   |      |
| 2050 2051 | (6th scan)   |      |
| 4EF0 4EF1 | (399th scan) | 4F3F |
| 6EF0 6EF1 | (400th scan) | 6F3F |

Y

(639,199)

The address of each pixel can be derived by the physical address formula:

$$\text{Physical address} = [2000H * (Y \text{ MOD } 4)] + [80 * \text{INTEGER}(Y/4) + [\text{INTEGER}(X/4)]]$$

Data is formatted into four pixels per byte. Refer to Table 9-9 for the 320 x 200 color mode.

## 640 x 400 Monochrome Mode

This resolution organizes graphic memory in the same manner as the 320 x 400 resolution color mode. The data format contains eight pixels per byte. The physical address and bit position formulas are shown below.

Physical address =  $[2000H * (Y \text{ MOD } 4)] + [80 * \text{INTEGER}(Y/4) + [\text{INTEGER}(X/8)]$

Bit position =  $7 - X \text{ MOD } 8$

## 640 x 400 Resolution 16-Color Graphics Mode

This high-resolution color graphics mode organizes graphics memory into two 64-Kbyte banks (128 Kbytes total). The 64-Kbyte segment beginning at address B000h represents the red and green bank. The 64-Kbyte segment beginning at address A000 represents the blue and intensity bank. The offset address map format is shown in Figure 9-5.

### 640 x 400 Offset Address Format Figure 9-5

(0,0)

-> X

|           |              |      |
|-----------|--------------|------|
| 0000 0001 | (1st scan)   | 009F |
| 4000 4001 | (2nd scan)   | 409F |
| 8000 8001 | (3rd scan)   | 809F |
| C000 C001 | (4th scan)   | C04F |
| 00A0 00A1 | (5th scan)   |      |
| 40A0 40A1 | (6th scan)   |      |
|           |              |      |
| BDE0 BDE1 | (399th scan) | BE7F |
| FDE0 FDE1 | (400th scan) | FE7F |

Y

(639,399)

The address of each pixel can be derived by the physical address formula:

$$\text{Physical address} = [4000H * (Y \text{ MOD } 4)] + [160 * \text{INTEGER}(Y/4) + [\text{INTEGER}(X/4)]]$$

The high-resolution, 640 x 400 16-color graphics mode, displays four pixels per byte, as shown in Table 9-10.

**640 x 400 Byte Usage**  
**Table 9-10**

| Bit   |   |       |   |       |   |       |   |                   |  |
|-------|---|-------|---|-------|---|-------|---|-------------------|--|
| 7     | 6 | 5     | 4 | 3     | 2 | 1     | 0 |                   |  |
| R     | G | R     | G | R     | G | R     | G | Segment at 0B0000 |  |
| B     | I | B     | I | B     | I | B     | I | Segment at 0A0000 |  |
| _____ |   | _____ |   | _____ |   | _____ |   |                   |  |
| 1st   |   | 2nd   |   | 3rd   |   | 4th   |   | pixel             |  |

R = Red  
G = Green  
B = Blue  
I = Intensity

)

)

)

## APPENDIX A TELECAT-286 SPECIFICATIONS

### MICROPROCESSOR/MEMORY

Microprocessor      Intel 80286 16-bit microprocessor  
Speed                6 or 8 megahertz (Switch selectable)

Optional  
Coprocessor        Intel 80287

Coprocessor        4 MHz and 4.77 MHz, 5.3 and  
Speed                4.77 MHz

Memory             256 kilobytes up to 1 megabyte  
dynamic system RAM

Expandable to 15 megabytes of  
memory with expansion cards

32 kilobytes read-only memory  
(ROM) with bootstrap loader and  
hardware diagnostics routines

ROM expandable to 128 Kbytes.

### FIXED DISK DRIVES

Type                One half-height 5 1/4-inch  
Winchester hard disk

Storage Capacity   20 Mbytes formatted  
24 Mbytes unformatted

30 Mbytes formatted  
38 Mbytes unformatted

## **FIXED DISK DRIVES (continued)**

|               |   |
|---------------|---|
| Transfer Rate | 5 Mbits per second  |
| Access Time   | 15 milliseconds, track to track<br>85 milliseconds, average |

### **1.2 MEGABYTE DISKETTE DRIVE**

|                  |  |
|------------------|--|
| Type             | 5 1/4 inch diskette  |
| Diskettes        | 5 1/4 inch, 96 tpi, double-sided,<br>high density, soft-sectored |
| Storage Capacity | 1.2 megabytes (formatted)  |
| Transfer Rate    | 500 kilobits/second at 96 TPI<br>300 kilobits/second at 48 TPI   |
| Access Time      | 94 milliseconds average<br>18 milliseconds track to track        |
| Rotation Speed   | 360 rpm  |

### **360 KILOBYTE DISKETTE DRIVE (OPTIONAL)**

|                  |  |
|------------------|--|
| Type             | 5 1/4-inch diskette  |
| Diskettes        | 5 1/4-inch, double-sided, double<br>density, soft-sectored, 48 TPI |
| Storage Capacity | 360 kilobytes (formatted)  |
| Transfer Rate    | 250 kilobits/second  |
| Access Time      | 95 milliseconds, average<br>20 milliseconds, track to track        |
| Rotation Speed   | 300 rpm  |

|                |     |
|----------------|-----|
| Specifications | A.2 |
|----------------|-----|



## **TAPE DRIVE**

|                            |  |
|----------------------------|--|
| Type                       | 1/4-inch cassette                                |
| Vendor                     | TEAC MT-2ST/20D (other sources may be used)      |
| Recommended Tapes          | TEAC CT-500, CT-450, or Maxell CS-500            |
| Tape Storage Capacity      | Unformatted: 21.6 Mbytes<br>Formatted: 20 Mbytes |
| Average Data Transfer Rate | 86.3 Kbytes per second                           |
| Tape Speed                 | 90 inches per second<br>(2286 mm/sec)            |
| Average Data Density       | 7670 bits per inch                               |

## **PORTS**

|                 |  |
|-----------------|--|
| Serial Port     | RS-232C asynchronous 9-pin serial port; configured as DTE. Eight baud rates (110, 150, 300, 600, 1200, 2400, 4800, 9600) |
| Parallel Port   | Parallel (Centronix-type) printer port (DB-25S connector)  |
| Expansion Slots | Four PC AT compatible, 16-bit slots, one PC compatible 8-bit slot  |

## POWER REQUIREMENTS

|                   |  |
|-------------------|--|
| United States     | 115 Vac (+/- 10%) 50/60 hertz  |
| International     | 115/230 Vac (+/- 10%) 50/60 hertz  |
| Power Consumption | 2.2 amp maximum at 115 Vac<br>1.1 amp maximum at 230 Vac<br>140 watts (output) |

| DC Power | <u>Voltage</u> | <u>Current</u> | <u>Power Output</u> |
|----------|----------------|----------------|---------------------|
|          | +5V            | 14A            | 70.0W               |
|          | +12V           | 3.5A           | 42.0W               |
|          | +12V           | 2A             | 24.0W               |
|          | -5V            | .3A            | 1.5W                |
|          | -12V           | .3A            | 3.6W                |

|            |  |
|------------|--|
| Power Cord | NEMA standard 5-15R, 3-prong receptacle (United States only) |
|------------|--|

## DIMENSIONS

|                     |  |
|---------------------|--|
| Computer Dimensions | Height: 6 1/4 inches<br>Width: 16 inches<br>Depth: 16 1/2 inches |
|---------------------|--|

|                  |  |
|------------------|--|
| Case Composition | Top, bottom: Sheet steel<br>Bezel: ABS plastic |
|------------------|--|

|                     |   |
|---------------------|---|
| Keyboard Dimensions | Height: 1 1/2 inches<br>Width: 18 1/4 inches<br>Depth: 8 1/2 inches |
|---------------------|---|

|                      |                             |
|----------------------|-----------------------------|
| Keyboard Composition | Top and bottom: ABS plastic |
|----------------------|-----------------------------|

## ENVIRONMENT

|                       |   |
|-----------------------|---|
| Operating Environment | 50 to 85 degrees Fahrenheit<br>10 to 30 degrees Celsius<br>Maximum humidity 95 percent relative, noncondensing<br>Maximum altitude 10,000 ft. above sea level |
| Nonoperating          | 32 to 120 degrees Fahrenheit (0 to 50 degrees Celsius storing)  |

## HIGH-RESOLUTION COLOR GRAPHICS BOARD CARD AND MONITOR SPECIFICATION

|                    |  |
|--------------------|--|
| Monitor            | Monochrome monitor with 14-inch, tilt-and-swivel screen<br><br>Compatible color monitors <sup>1</sup> : Taxan 640 and CM13, Tatung CM-1370, Nanao 8040 and 7040  |
| Graphic Resolution | IBM PC-compatible graphics mode<br>640 x 200 monochrome<br>320 x 200 4-color graphics<br>320 x 200 monochrome<br><br>Extendable graphics mode<br>640 x 400 monochrome<br>640 x 400 sixteen-color<br>320 x 400 four-colors<br><br>16 different gray scales for monochrome monitor |

---

<sup>1</sup>25KHz horizontal synchronization frequency

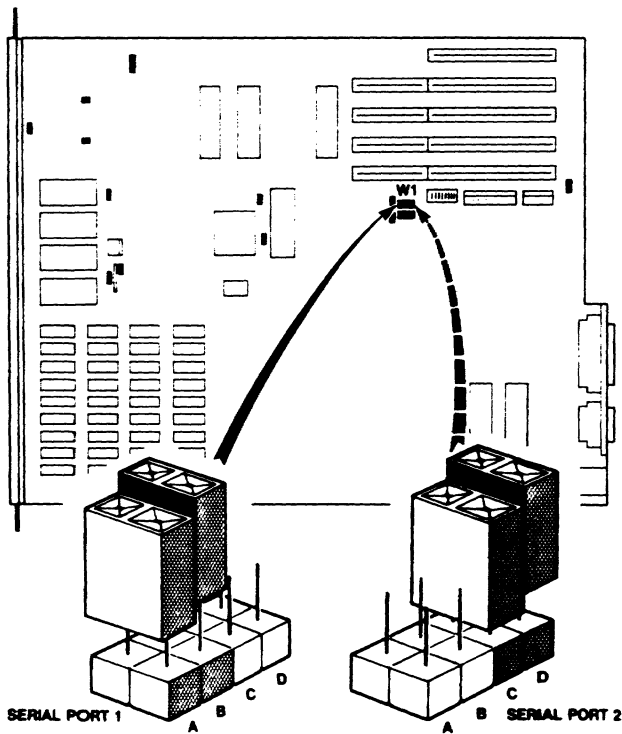
|                       |  |
|-----------------------|--|
| Text                  | 80 x 25 screen (or 40 x 25)<br>256-character set<br>8 x 16 dot matrix (7 x 9 font size<br>with two descenders)<br>Hidden attributes (intensity,<br>blinking, reverse, blank, underline)  |
| Memory                | 32 kilobytes of RAM  |
| Special<br>Characters | 15 for game support<br>16 for word processing support<br>96 for standard ASCII code set<br>48 for foreign language support<br>48 for business block graphics<br>16 for selected Greek characters<br>15 for selected scientific notations |

# APPENDIX B MOTHERBOARD JUMPER AND SWITCH SETTINGS

## SERIAL PORT JUMPER

The serial port included in every TeleCAT-286 is preset as Serial Port 1 (COM1). If you install an expansion board with a serial port that is also set as port 1, you need to change the preset port to port 2 (COM2) using jumper W1 (see Figure B-1) on the main computer board.

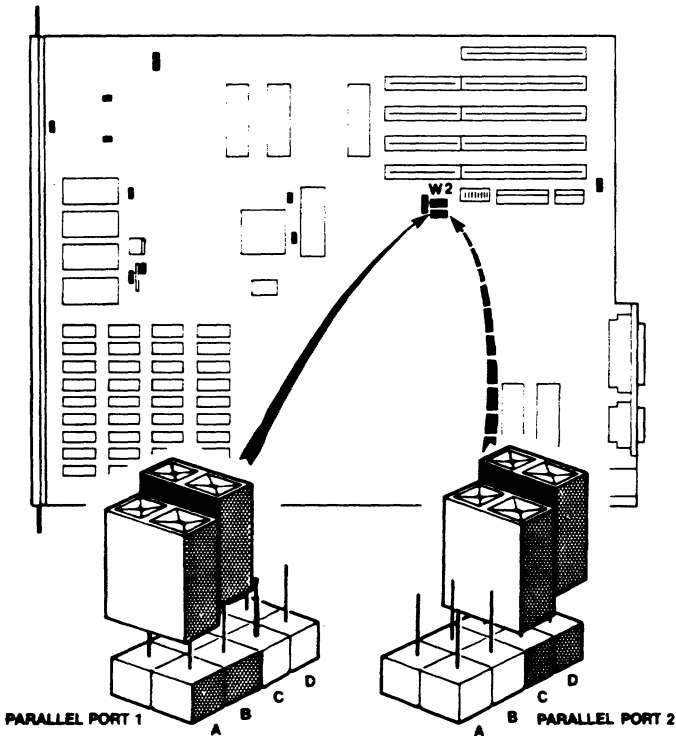
**Serial Port Jumper (W1)  
Figure B-1**



## PARALLEL PORT JUMPER

The parallel installed in every TeleCAT-286 is assigned as Parallel Port 1 (LPT1) at the factory. If you install an expansion board with a parallel port that is also set as port 1, you will need to change the standard port to port 2 (LPT2) with jumper W2 (see Figure B-2) on the main computer board.

### Parallel Printer Port (W2) Figure B-2



Parallel Port 1

Parallel Port 2

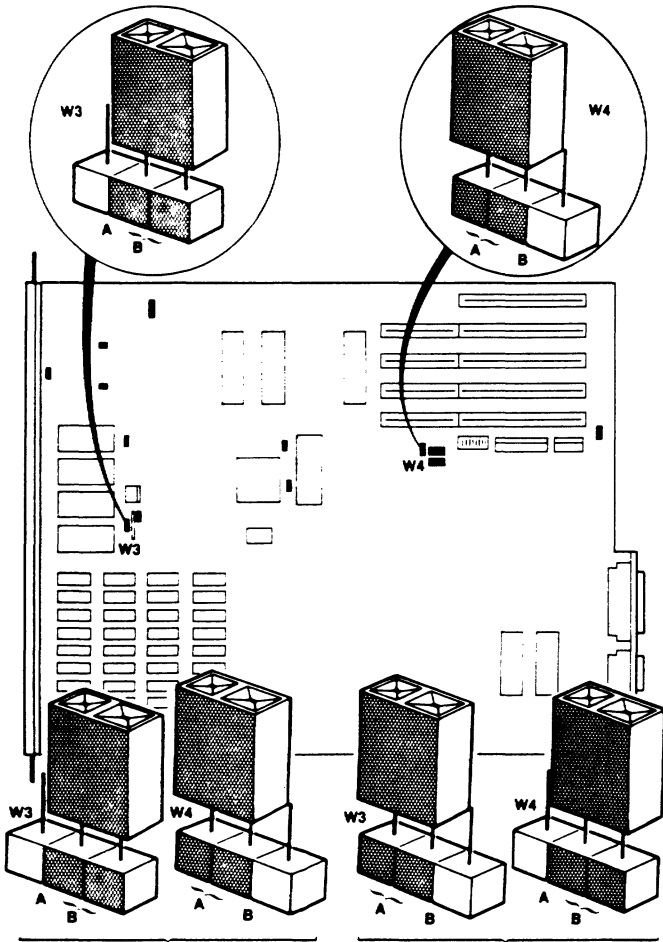
Motherboard Jumpers

B.2

## **EPROM JUMPERS**

The TeleCAT-286 comes standard with 32 Kbytes of EPROM. If you increase the EPROM size to 128 Kbytes you must change the W3 and W4 jumper connections as shown in Figure B-3.

**EPROM Jumpers (W3 and W4)**  
**Figure B-3**



32 Kbytes EPROM  
 (16K X 8 - default)

128 Kbytes EPROM  
 (32K X 8)

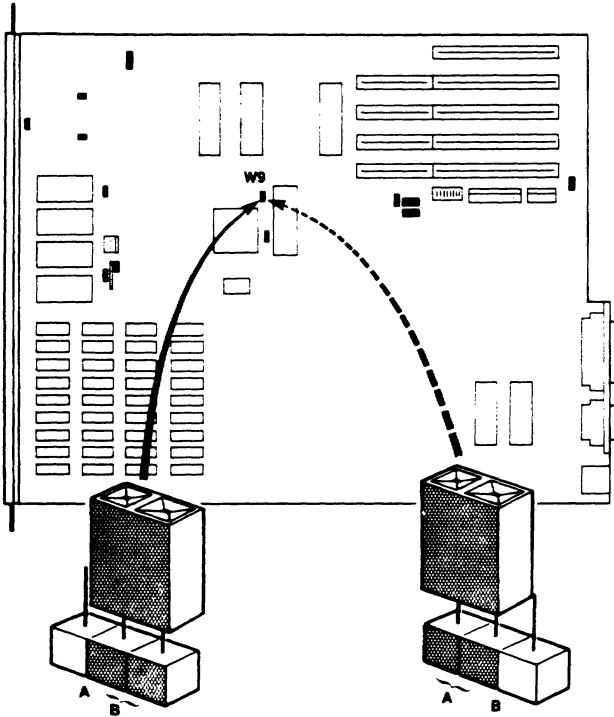


## NUMERIC COPROCESSOR JUMPERS

If you added the Intel 80287 numeric coprocessor option to the TeleCAT-286, you must determine the operating speed.

The numeric coprocessor operating speed is controlled by jumpers W9 and W10. If jumper W9 is set in the default position, the coprocessing speed is controlled by the TeleCAT-286 central processor speed. Otherwise, the speed is set to 4.77 MHz. Refer to Figure B-4.

**Numeric Coprocessor Jumper (W9)**  
**Figure B-4**



CPU speed 6 MHz  
Coprocessor speed 4 MHz

Coprocessor speed  
4.77 MHz

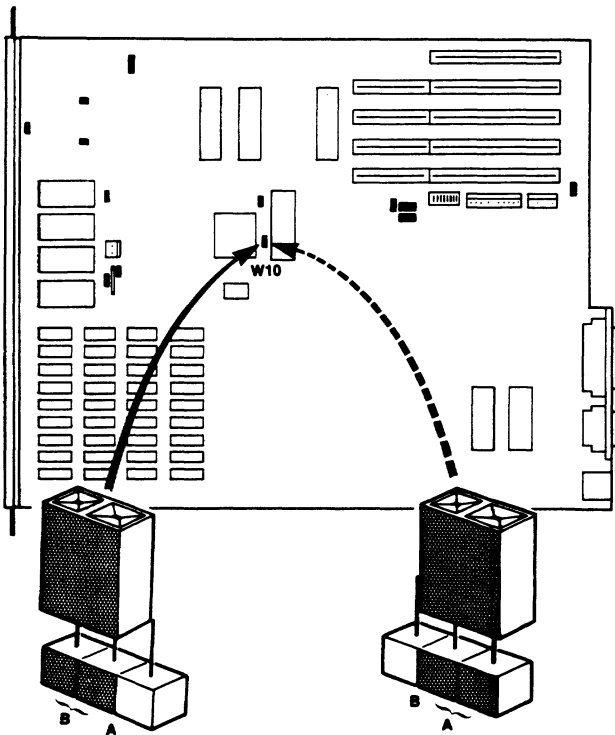
CPU speed 8 MHz  
Coprocessor speed 5.33 MHz

(default)

Jumper W10 allows you to select a custom coprocessing speed, different from those speeds selected by jumper W9. You should note that selecting a custom coprocessing speed may require you to develop additional circuitry for the motherboard.

Coprocessing speed is limited by the speed of the coprocessor.

**Numeric Coprocessor Jumper (W10)**  
**Figure B-5**



Coprocessing speed:  
4, 4.77, or 5.33 MHz  
(default)

Custom coprocessing  
speed: Clock input  
supplied by user.

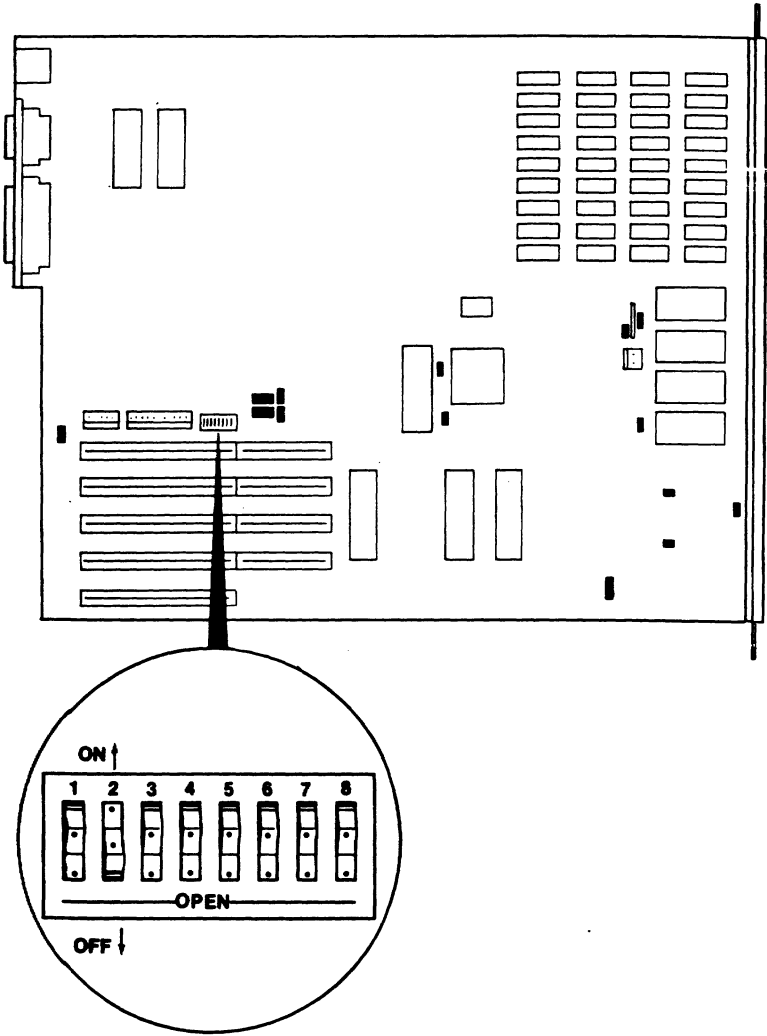
## DIP SWITCH SETTINGS

The DIP switches on the main computer board (see Figure B-6) must be set to reflect the desired operating speed of the microprocessor, the primary display adapter, and the amount of memory installed on the main board (excluding any memory expansion boards). The DIP switch settings are given in the pages that follow.

To change a setting on the switch, use a ball point pen and gently push the switch lever to the desired position. Always give the lever a second push to make certain that it is seated properly in the position you have chosen.

**WARNING! DO NOT USE A PENCIL!** Pencil lead is an electrical conductor, and any small grains of lead falling into the switch sections may cause a malfunction.

**Motherboard DIP Switch Location**  
**Figure B-6**



| Switch Number                               | Switch position | Function   |
|---|-----------------|--|
| 1   | OFF (default)   | Processor speed selected by Processor speed switch on the back of the TeleCAT-286. |
| 2   | ON              | Primary display attached to color/graphics card                                    |
|   | OFF (default)   | Primary display attached to monochrome card  |
| Settings for 256K motherboard RAM           |                 |  |
| 3   | ON              |  |
| 4   | ON              |  |
| Settings for 512K motherboard RAM (default) |                 |  |
| 3   | OFF             |  |
| 4   | ON              |  |
| Settings for 640K motherboard RAM           |                 |  |
| 3   | ON              |  |
| 4   | OFF             |  |
| Settings for 1M motherboard RAM             |                 |  |
| 3   | OFF             |  |
| 4   | OFF             |  |

| <b>Switch Number</b> | <b>Switch position</b> | <b>Function</b>           |
|----------------------|------------------------|---------------------------|
| 5, 6, 7              | Not used               |                           |
| 8                    | ON<br>OFF              | Battery on<br>Battery off |

**NOTE:** The TeleCAT-286 is shipped with the battery in the OFF position. Failure to turn on the battery will result in loss of SETUP configuration values.

ON = Closed  
OFF = Open





## **APPENDIX C DISKETTE/FIXED DISK CONTROLLER JUMPER CONFIGURATION**

This appendix describes the primary and secondary address jumper configurations for the Diskette/Fixed Disk Controller board. The disk controller board is setup for default configuration as the primary address board.

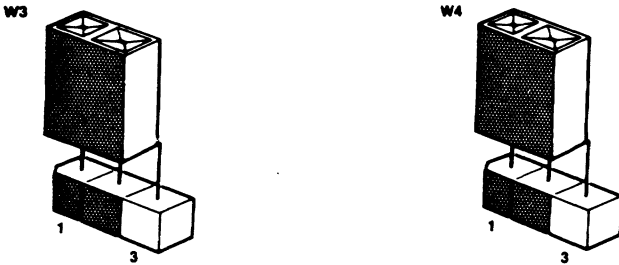
The primary address (default) jumper configuration is illustrated in Figure C-1. Use the jumper configuration illustrated in Figure C-2 when you have two disk controller boards mounted in your TeleCAT-286.

**Diskette/Fixed Disk Controller Primary Address Configuration**  
**Figure C-1**



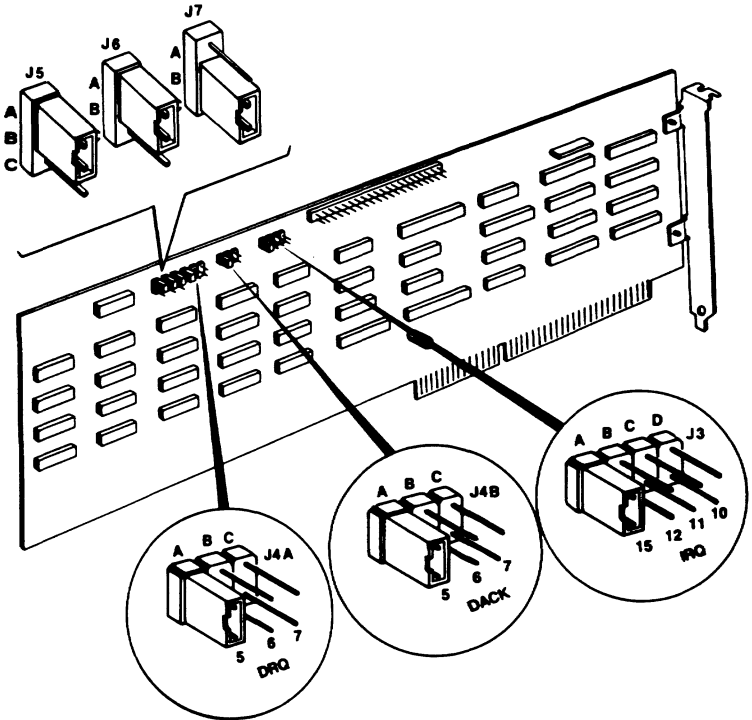
Default jumper configuration (primary address)

**Diskette/Fixed Disk Controller Secondary Address Configuration**  
**Figure C-2**



# APPENDIX D TAPE INTERFACE BOARD JUMPER SETTINGS

The tape drive jumper connections are shown in figure D-1 and described in Tables D-1 and D-2.



**Tape Interface Board Jumper Locations**  
**Figure D-1**

**IRQ, DRQ and DACK Jumper Connections**  
**Table D-1**

| <u>Jumper</u> | <u>Description</u> | <u>Connection</u>  |
|---------------|--------------------|--|
| J3            | Interrupt Request  | A = IRQ15 (default)<br>B = IRQ12<br>C = IRQ11<br>D = IRQ10 |
| J4A           | Data Request       | A = DRQ5 (default)<br>B = DRQ6<br>C = DRQ7                 |
| J4B           | Data Acknowledge   | A = DACK 5 (default)<br>B = DRQ 6<br>C = DRQ 7             |

**NOTE:** The data request (DRQ) and data acknowledge (DACK) signals must be coupled. For example, if you connect DRQ jumper A, you must connect DACK jumper A, and so forth.

**I/O Port Address Selector (Jumpers J5, J6, J7)**  
**Table D-2**

| J5  | J6  | J7  | BASE ADDRESS      |
|-----|-----|-----|-------------------|
| A-B | A-B | B-C | 208 hex (default) |
| A-B | B-C | A-B | 108 hex           |
| B-C | A-B | B-C | 218 hex           |
| B-C | B-C | A-B | 118 hex           |

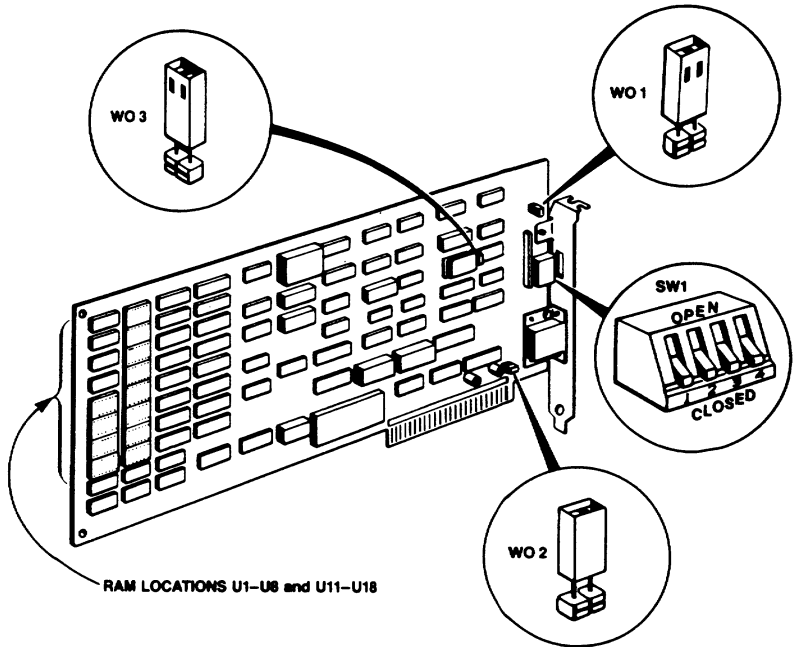
○

)

)

## APPENDIX E HRCGB JUMPER AND SWITCH SETTINGS

The High-Resolution Color Graphics Board (HRCGB) jumper and switch settings are shown in Figure E-1 and described in Tables E-1 and E-2.



HRCGB Jumper and Switch Locations  
Figure E-1

**HRCGB Jumper Settings**  
**Table E-1**

| <b>Jumper Setting</b> | <b>Description</b>  |
|-----------------------|---|
| W01                   | <p>Installed (on): Default. Standard 32 Kbytes RAM provided on the HCB. Memory chips in sockets U1-U4.</p> <p>Removed (off): Optional, 128-Kbytes RAM installed on the graphics board. Memory chips in sockets U1-U8 and U11-U18.</p> |
| W02                   | <p>Installed (on): Default. TeleCAT monitor or other monochrome monitor installed.</p> <p>Removed (off): Color monitor installed.</p>   |
| W03                   | <p>Installed (on): Default. Graphics board clock signal.</p> <p>Removed (off): Manufacturing test purposes only.</p>  |



**Switch Settings for the HRCGB**  
**Table E-2**

| Switch |     |     |     | Description   |
|--------|-----|-----|-----|---|
| S1     | S2  | S3  | S4  |   |
| on     | on  | x   | x   | Graphics and text (IBM monochrome) modes. Factory setting |
| on     | off | x   | x   | Text (IBM monochrome) mode only                           |
| off    | on  | x   | x   | Graphics mode only  |
| x      | x   | on  | x   | Single-dot type character (default)                       |
| x      | x   | off | x   | Double-dot character                                      |
| x      | x   | x   | on  | TeleVideo monochrome monitor                              |
| x      | x   | x   | off | High resolution color monitor (25 KHz)                    |

OFF = open  
 ON = closed  
 x = any setting

**CAUTION!** When using the graphics board with a TeleVideo monochrome monitor, switch S4 must be set to the ON position or monitor damage will result.

Switch 4 must be ON for any monitor requiring positive horizontal synchronization. S4 must be OFF for any monitor requiring negative horizontal synchronization.

Color monitors compatible with the TeleVideo HRCGB are listed in the specifications appendix of this manual.

)

)

)

## APPENDIX F INTERFACE

This appendix describes the internal connector interfaces and external connector ports. These ports provide the means to expand or perform major internal functions while allowing external system expansion. The appendix is divided into internal and external interfaces.

Internally, there are four 16-bit expansion slots on the motherboard. The configuration of each 16-bit slot is the same. There is one 8-bit expansion slots.

Connectors for the motherboard, the system battery, the diskette/fixed disk controller board and power connectors for the disk drives are among the internal connections for the TeleCAT-286.

Externally, there are serial, parallel, keyboard and graphics board interface connections.

### INTERNAL INTERFACES

#### Power Supply (P1) Table F-1

| PIN | SIGNAL   | DESCRIPTION           |
|-----|----------|-----------------------|
| 1   | 115/230V | 115/230V line voltage |
| 2   | ---      | No connection         |
| 3   | NEUT     | Neutral               |
| 4   | ---      | No connection         |
| 5   | GND      | Main ground           |

**Power Supply (PW2)**  
**Table F-2**

| PIN   | SIGNAL | DESCRIPTION                  |
|-------|--------|------------------------------|
| 1-2   | GND    | Ground                       |
| 3-9   | +5V    | +5 volts supply<br>(14 Amps) |
| 10-12 | GND    | Ground                       |

**Power Supply (PW3)**  
**Table F-3**

| PIN  | SIGNAL   | DESCRIPTION                    |
|------|----------|--------------------------------|
| 1    | PWR Good | Power good                     |
| 2    | +12V     | +12 volts supply<br>(3.5 amps) |
| 3-5  | GND      | Ground                         |
| 6    | -12V     | -12 volts supply<br>(0.3 amps) |
| 7    | -5V      | -5 volts supply<br>(0.3 amps)  |
| 8    | GND      | Ground<br>(-5V, -12V return)   |
| 9-11 | +12V     | +12 volts supply<br>(3.5 amps) |
| 12   | GND      | Ground                         |

**Power Supply - Diskette/Fixed Disk Drives (DR1-DR3)**  
**Table F-4**

| PIN | SIGNAL | DESCRIPTION                    |
|-----|--------|--------------------------------|
| 1   | +12V   | +12 volts supply<br>(3.5 amps) |
| 2   | GND    | Ground (+12V return)           |
| 3   | GND    | Ground (+5V return)            |
| 4   | +5V    | +5 volts supply<br>(14 amps)   |

**Battery (J20 - motherboard)****Table F-5**

| <b>PIN</b> | <b>SIGNAL</b> | <b>DESCRIPTION</b> |
|------------|---------------|--------------------|
| 1(edge)    | GND           | Ground             |
| 2(center)  | +6V           | +6 volts (battery) |
| 3(edge)    | GND           | Ground             |

**Power Supply (P1A - motherboard)****Table F-6**

| <b>PIN</b> | <b>SIGNAL</b> | <b>DESCRIPTION</b>      |
|------------|---------------|-------------------------|
| 1          | -12V          | -12 volts<br>(0.3 amps) |
| 2          | ---           | No connection           |
| 3          | GND           | Ground (+12V return)    |
| 4          | +5V           | +5 volts<br>(14 amps)   |
| 5          | +12V          | +12 volts<br>(3.5 amps) |

**Power Supply (P1B - motherboard)****Table F-7**

| <b>PIN</b> | <b>SIGNAL</b> | <b>DESCRIPTION</b> |
|------------|---------------|--------------------|
| 1-3        | GND           | Ground             |
| 4-6        | +5V           | +5 volts (14 amps) |
| 7          | ---           | No connection      |
| 8          | -5V           | -5 volts (.3 amps) |
| 9          | PWR good      | Power good         |

**Speaker (J22 - motherboard)****Table F-8**

| <b>PIN</b> | <b>SIGNAL</b> | <b>DESCRIPTION</b> |
|------------|---------------|--------------------|
| 1          | Speaker out   | Speaker out        |
| 2          | Speaker ret   | Speaker return     |

**8-Bit Expansion Board Slot (62-pin connector)****Table F-9**

| <b>PIN</b> | <b>SIGNAL</b> | <b>DESCRIPTION</b> |
|------------|---------------|--------------------|
| A1         | I/O CH CK     | I/O channel check  |
| A2         | SD7           | Data bit 7         |
| A3         | SD6           | Data bit 6         |
| A4         | SD5           | Data bit 5         |
| A5         | SD4           | Data bit 4         |
| A6         | SD3           | Data bit 3         |
| A7         | SD2           | Data bit 2         |
| A8         | SD1           | Data bit 1         |
| A9         | SD0           | Data bit 0         |
| A10        | -I/OCH RDY    | I/O channel ready  |
| A11        | AEN           | Address enable     |
| A12        | SA19          | Address bit 19     |
| A13        | SA18          | Address bit 18     |
| A14        | SA17          | Address bit 17     |
| A15        | SA16          | Address bit 16     |
| A16        | SA15          | Address bit 15     |
| A17        | SA14          | Address bit 14     |
| A18        | SA13          | Address bit 13     |
| A19        | SA12          | Address bit 12     |
| A20        | SA11          | Address bit 11     |
| A21        | SA10          | Address bit 10     |
| A22        | SA9           | Address bit 9      |
| A23        | SA8           | Address bit 8      |
| A24        | SA7           | Address bit 7      |
| A25        | SA6           | Address bit 6      |
| A26        | SA5           | Address bit 5      |
| A27        | SA4           | Address bit 4      |
| A28        | SA3           | Address bit 3      |
| A29        | SA2           | Address bit 2      |

**8-Bit Expansion Board Slot (62-pin connector)**  
**Table F-9 (continued)**

| <b>PIN</b> | <b>SIGNAL</b>   | <b>DESCRIPTION</b>   |
|------------|-----------------|----------------------|
| A30        | SA1             | Address bit 1        |
| A31        | SA0             | Address bit 0        |
| B1         | GND             | Ground               |
| B2         | RESET           | Reset                |
| B3         | +5V             | +5 volts             |
| B4         | IRQ9            | Interrupt request 9  |
| B5         | -5V             | -5 volts             |
| B6         | DRQ2            | Data request 2       |
| B7         | -12V            | -12 volts            |
| B8         | -OWS            | Zero wait states     |
| B9         | +12V            | +12 volts            |
| B10        | GND             | Ground               |
| B11        | -SMEMW          | System memory write  |
| B12        | -SMEMR          | System memory read   |
| B13        | -IOW            | I/O write            |
| B14        | -IOR            | I/O read             |
| B15        | -DACK3          | Data acknowledge 3   |
| B16        | DRQ3            | Data request 3       |
| B17        | -DACK1          | Data acknowledge 1   |
| B18        | DRQ1            | Data request 1       |
| B19        | -REFRES         | Refresh memory       |
| B20        | SYSCLK          | System clock         |
| B21        | IRQ7            | Interrupt request 7  |
| B22        | IRQ6            | Interrupt request 6  |
| B23        | IRQ5            | Interrupt request 5  |
| B24        | IRQ4            | Interrupt request 4  |
| B25        | IRQ3            | Interrupt request 3  |
| B26        | -DACK2          | Data acknowledge 2   |
| B27        | T/C             | Terminate count      |
| B28        | ALE             | Address latch enable |
| B29        | +5V             | +5 volts             |
| B30        | OSC(14.318 MHz) | Oscillator           |
| B31        | GND             | Ground               |

16-Bit Expansion Board Slot  
Table F-10

| PIN | SIGNAL     | DESCRIPTION         |
|-----|------------|---------------------|
| A1  | I/O CH CK  | I/O channel check   |
| A2  | SD7        | Data bit 7          |
| A3  | SD6        | Data bit 6          |
| A4  | SD5        | Data bit 5          |
| A5  | SD4        | Data bit 4          |
| A6  | SD3        | Data bit 3          |
| A7  | SD2        | Data bit 2          |
| A8  | SD1        | Data bit 1          |
| A9  | SD0        | Data bit 0          |
| A10 | -I/OCH RDY | I/O channel ready   |
| A11 | AEN        | Address enable      |
| A12 | SA19       | Address bit 19      |
| A13 | SA18       | Address bit 18      |
| A14 | SA17       | Address bit 17      |
| A15 | SA16       | Address bit 16      |
| A16 | SA15       | Address bit 15      |
| A17 | SA14       | Address bit 14      |
| A18 | SA13       | Address bit 13      |
| A19 | SA12       | Address bit 12      |
| A20 | SA11       | Address bit 11      |
| A21 | SA10       | Address bit 10      |
| A22 | SA9        | Address bit 9       |
| A23 | SA8        | Address bit 8       |
| A24 | SA7        | Address bit 7       |
| A25 | SA6        | Address bit 6       |
| A26 | SA5        | Address bit 5       |
| A27 | SA4        | Address bit 4       |
| A28 | SA3        | Address bit 3       |
| A29 | SA2        | Address bit 2       |
| A30 | SA1        | Address bit 1       |
| A31 | SA0        | Address bit 0       |
| B1  | GND        | Ground              |
| B2  | RESET      | Reset drive         |
| B3  | +5V        | +5 volts            |
| B4  | IRQ9       | Interrupt request 9 |
| B5  | -5V        | -5 volts            |
| B6  | DRQ2       | Data request 2      |



**16-Bit Expansion Board Slot**  
**Table F-10 (continued)**

| <b>PIN</b> | <b>SIGNAL</b>   | <b>DESCRIPTION</b>      |
|------------|-----------------|-------------------------|
| B7         | -12V            | -12 volts               |
| B8         | -OWS            | Zero wait states        |
| B9         | +12V            | +12 volts               |
| B10        | GND             | Ground                  |
| B11        | -SMEMW          | System memory write     |
| B12        | -SMEMR          | System memory read      |
| B13        | -IOW            | I/O write               |
| B14        | -IOR            | I/O read                |
| B15        | -DACK3          | Data acknowledge 3      |
| B16        | DRQ3            | Data request 3          |
| B17        | -DACK1          | Data acknowledge 1      |
| B18        | DRQ1            | Data request 1          |
| B19        | -REFRES         | Refresh memory          |
| B20        | SYSCLK          | System clock            |
| B21        | IRQ7            | Interrupt request 7     |
| B22        | IRQ6            | Interrupt request 6     |
| B23        | IRQ5            | Interrupt request 5     |
| B24        | IRQ4            | Interrupt request 4     |
| B25        | IRQ3            | Interrupt request 3     |
| B26        | -DACK2          | Data acknowledge 2      |
| B27        | T/C             | Terminate count         |
| B28        | ALE             | Address latch enable    |
| B29        | +5V             | +5 volts                |
| B30        | OSC(14.318 MHz) | Oscillator              |
| B31        | GND             | Ground                  |
| C1         | -SBHE           | System byte high enable |
| C2         | A23             | Address bit 23          |
| C3         | A22             | Address bit 22          |
| C4         | A21             | Address bit 21          |
| C5         | A20             | Address bit 20          |
| C6         | A19             | Address bit 19          |
| C7         | A18             | Address bit 18          |
| C8         | A17             | Address bit 17          |
| C9         | -MEMR           | Memory read             |
| C10        | -MEMW           | Memory write            |
| C11        | SD8             | Data bit 8              |
| C12        | SD9             | Data bit 9              |

**16-Bit Expansion Board Slot  
Table F-10 (continued)**

| <b>PIN</b> | <b>SIGNAL</b> | <b>DESCRIPTION</b>    |
|------------|---------------|-----------------------|
| C13        | SD10          | Data bit 10           |
| C14        | SD11          | Data bit 11           |
| C15        | SD12          | Data bit 12           |
| C16        | SD13          | Data bit 13           |
| C17        | SD14          | Data bit 14           |
| C18        | SD15          | Data bit 15           |
| D1         | -MEM CS 16    | Memory chip select 16 |
| D2         | -I/O CS 16    | I/O chip select 16    |
| D3         | IRQ10         | Interrupt request 10  |
| D4         | IRQ11         | Interrupt request 11  |
| D5         | IRQ12         | Interrupt request 12  |
| D6         | IRQ15         | Interrupt request 15  |
| D7         | IRQ14         | Interrupt request 14  |
| D8         | -DACK0        | Data acknowledge 0    |
| D9         | DRQ0          | Data request 0        |
| D10        | -DACK5        | Data acknowledge 5    |
| D11        | DRQ5          | Data request 5        |
| D12        | -DACK6        | Data acknowledge 6    |
| D13        | DRQ6          | Data request 6        |
| D14        | -DACK7        | Data acknowledge 7    |
| D15        | DRQ7          | Data request 7        |
| D16        | +5V           | +5 volts              |
| D17        | -MASTER       | Master                |
| D18        | GND           | Ground                |

**Diskette/Fixed Disk Controller Board -  
Diskette Bus Connector (J1)  
Table F-11**

| <b>PIN</b> | <b>SIGNAL</b> | <b>DESCRIPTION</b> |
|------------|---------------|--------------------|
| 1-33(odd)  | GND           | Ground             |
| 2          | -RWC          | Reduced write      |
| 4          | RESERVED      | Reserved           |

**Diskette/Fixed Disk Controller Board -  
Diskette Bus Connector (J1)  
Table F-11 (continued)**

| <b>PIN</b> | <b>SIGNAL</b> | <b>DESCRIPTION</b> |
|------------|---------------|--------------------|
| 6          | RESERVED      | Reserved           |
| 8          | -FIDX         | Index              |
| 10         | -MON          | Drive select 0     |
| 12         | -DS2          | Drive select 1     |
| 14         | -DS1          | Drive select 2     |
| 16         | -MON2         | Motor on           |
| 18         | -FDIR         | Direction select   |
| 20         | -FSTEP        | Step               |
| 22         | -FWD          | Write data         |
| 24         | -FWE          | Write gate         |
| 26         | -FTK0         | Track 00           |
| 28         | -FWPT         | Write protect      |
| 30         | -DISKD        | Read data          |
| 32         | -FHS1         | Side 1 select      |
| 34         | -DCHG         | Diskette change    |

**Diskette/Fixed Disk Controller Board -  
Fixed Disk Control Signal Connector (J5)  
Table F-12**

| <b>PIN</b> | <b>SIGNAL</b> | <b>DESCRIPTION</b>                      |
|------------|---------------|---|
| 1-33(odd)  | GND           | Ground                                  |
| 2          | -HHS3/-RWC    | Reduced write current/<br>Head select 3 |
| 4          | -HHS2         | Head select 2                           |
| 6          | -WG           | Write gate                              |
| 8          | -HSK COMPLT   | Seek complete                           |
| 10         | -HTK0         | Track 000                               |
| 12         | -HWT FAULT    | Write fault                             |
| 14         | -HHS0         | Head select 0                           |
| 16         | RESERVED      | Reserved                                |
| 18         | -HHS1         | Head select 1                           |

**Diskette/Fixed Disk Controller Board -  
Fixed Disk Control Signal Connector (J5)  
Table F-12 (continued)**

| <b>PIN</b> | <b>SIGNAL</b> | <b>DESCRIPTION</b> |
|------------|---------------|--------------------|
| 20         | -HINDEX       | Index              |
| 22         | -HREADY       | Ready              |
| 24         | -HSTEP        | Step               |
| 26         | -HDS0         | Drive select 1     |
| 28         | -HDS1         | Drive select 2     |
| 30         | RESERVED      | Reserved           |
| 32         | RESERVED      | Reserved           |
| 34         | -HDIR         | Direction in       |

**Diskette/Fixed Disk Controller Board -  
Fixed Disk Data Signal Connectors (J3 and J4)  
Table F-13**

| <b>PIN</b>                               | <b>SIGNAL</b> | <b>DESCRIPTION</b> |
|--|---------------|--------------------|
| 2, 4, 6,<br>11, 12,<br>15, 16,<br>19, 20 | GND           | Ground             |
| 13                                       | WD            | Write data         |
| 14                                       | WD            | Write data         |
| 17                                       | RD            | Read data          |
| 18                                       | RD            | Read data          |

All other pins are unused.

## EXTERNAL INTERFACES

### Parallel Printer Port (J17)

Table F-14

| PIN   | SIGNAL      | DESCRIPTION                   |
|-------|-------------|-------------------------------|
| 1     | -STROBE     | Data strobe to printer        |
| 2     | DATA 0      | Data bus bit 0                |
| 3     | DATA 1      | Data bus bit 1                |
| 4     | DATA 2      | Data bus bit 2                |
| 5     | DATA 3      | Data bus bit 3                |
| 6     | DATA 4      | Data bus bit 4                |
| 7     | DATA 5      | Data bus bit 5                |
| 8     | DATA 6      | Data bus bit 6                |
| 9     | DATA 7      | Data bus bit 7                |
| 10    | -ACK        | Printer ready to receive data |
| 11    | BUSY        | Printer busy                  |
| 12    | PE          | Paper empty                   |
| 13    | SELECT      | Printer selected              |
| 14    | -AUTO FD XT | Automatic feed                |
| 15    | -ERROR      | Error state                   |
| 16    | -INIT       | Reset printer                 |
| 17    | -SLCT IN    | Select to printer             |
| 18-25 | GND         | Ground                        |

**Serial Communications Port (J-18)****Table F-15**

| <b>PIN</b> | <b>SIGNAL</b> | <b>DESCRIPTION</b>  |
|------------|---------------|---------------------|
| 1          | CDC           | Carrier detect      |
| 2          | RXD           | Receive data        |
| 3          | TXD           | Transmit data       |
| 4          | DTR           | Data terminal ready |
| 5          | GND           | Ground              |
| 6          | DSR           | Data set ready      |
| 7          | RTS           | Request to send     |
| 8          | CTS           | Clear to send       |
| 9          | RI            | Ring indicator      |

**Keyboard Connector****Table F-16**

| <b>PIN</b> | <b>SIGNAL</b> | <b>DESCRIPTION</b> |
|------------|---------------|--------------------|
| 1          | KBD CLK       | Keyboard clock     |
| 2          | KBD DATA      | Keyboard data      |
| 3          | ---           | No connection      |
| 4          | GND           | Ground             |
| 5          | +5V           | +5 volts           |

**High-Resolution Graphics Board  
Table F-17**

| <b>PIN</b> | <b>SIGNAL</b> | <b>DESCRIPTION</b> |
|------------|---------------|--------------------|
| 1-2        | GND           | Ground             |
| 3          | ER            | Red                |
| 4          | EG            | Green              |
| 5          | EB            | Blue               |
| 6          | EI            | Intensity          |
| 7*         | +12V          | +12 volts          |
| 8          | HSYNC         | Horizontal sync    |
| 9          | VSYNC         | Vertical sync      |

**\*CAUTION!** Monitor damage may result from improper connection. This line supplies the power to the TeleCAT-286 monitor. Some monitors may use this line for a signal other than power. Check connections carefully before applying power to the system or monitor.

)

)

)



# INDEX

## A

|   |            |
|---|------------|
| Access time, RAM chip                   | 2.12       |
| Address bus                             | 2.19       |
| Address summary                         | 6.1        |
| Address buffering                       | 2.19       |
| Alpha mode                              | 9.9, 5.2   |
| Asynchronous communications element     | 6.41, 2.23 |
| Attribute control logic, graphics board | 5.15       |

## B

|                     |      |
|---------------------|------|
| Baud rate generator | 2.24 |
| Buffering           |      |
| address             | 2.19 |
| Bus arbitration     | 2.14 |
| Bus                 |      |
| address             | 2.19 |
| data                | 2.19 |
| Bus cycle           | 6.4  |
| Bus controller      | 2.6  |
| control signals     | 2.6  |

## C

|                         |      |
|-------------------------|------|
| Central processing unit | 2.3  |
| Channels, I/O           | 2.25 |
| Character generator     | 5.15 |
| Clock frequency         | 2.5  |
| Clock, system           | 2.8  |
| Clock generation        | 5.9  |
| Clock, real time        | 2.9  |

|                                     |            |
|-------------------------------------|------------|
| Clock generator                     | 2.5        |
| 12-MHz crystal                      | 2.5        |
| 16-MHz oscillator                   | 2.5        |
| clock frequency                     | 2.5        |
| Controller, Fixed Disk (Winchester) | 7.20, 3.6  |
| components                          | 3.8        |
| dual-port buffer RAM                | 3.9        |
| interface                           | 3.8        |
| reading disk data                   | 3.16       |
| writing disk data                   | 3.11       |
| Controller, diskette                | 3.1        |
| Controller, keyboard                | 2.22       |
| Controller, CRT                     | 5.8        |
| Controllers, Interrupt              | 6.27, 2.21 |
| Counter/timer                       | 6.28, 2.22 |
| CPU                                 | 2.3        |
| Clock Generator                     | 2.5        |
| protected-address mode              | 6.4        |
| real-address mode                   | 6.3        |
| Ready Interface                     | 2.5        |
| Support Circuits                    | 2.5        |
| CRT Controller (CRTC)               | 5.8        |
| Color-select Register               | 9.6        |
| Mode-select Register                | 9.5        |
| Programming                         | 9.3        |
| Registers                           | 9.4        |
| Status Register                     | 9.8        |
| display formats                     | 5.2        |
| display memory                      | 5.11       |
| display memory timing               | 5.9        |
| graphics mode                       | 5.2        |
| I/O channel interface               | 5.4        |
| mode control logic                  | 5.13       |
| RAM banks                           | 5.14       |
| RAM chip access time                | 5.14       |

## D

|   |                  |
|---|------------------|
| Data bus  | 2.19             |
| Data buffering  | 2.19             |
| Data, keyboard  | 6.33             |
| Dimensions  | A.4              |
| DIP switches  | B.8              |
| Direct Memory Access Controllers (see DMA<br>Controllers) | 2.16             |
| Disk drives, specifications                               | A.1              |
| Diskette controller                                       | 7.1, 3.1         |
| command summary   | 7.3              |
| components  | 3.4              |
| functions   | 3.2              |
| Diskette/fixed disk controller jumpers                    | C.1              |
| Diskette/fixed disk controller                            | 3.1              |
| Display memory, graphics board                            | 5.11             |
| DMA wait-circuit  | 2.18             |
| DMA controllers   | 6.22, 2.16       |
| channels  | 6.24, 6.22, 2.17 |
| operating speed   | 2.16             |
| page registers  | 6.24, 6.23, 2.18 |
| wait-circuit  | 2.18             |
| DMA   |                  |
| bus cycles  | 6.5              |
| channels  | 6.5              |

## E

|                           |      |
|---------------------------|------|
| Environment               | A.5  |
| EPROM, system             | 6.20 |
| access time               | 6.20 |
| address ranges            | 6.20 |
| EPROM Jumpers (W3 and W4) | B.4  |
| EPROM, system             | 2.9  |
| Even parity               | 2.15 |

## F

|  |           |
|--|-----------|
| Fixed Disk (Winchester) Controller Interface | 3.5       |
| Fixed Disk (Winchester) Controller           | 7.20, 3.6 |
| Command Register                             | 7.26      |
| Control Register                             | 7.25      |
| Status Register                              | 7.24      |
| Write Precomp                                | 7.22      |

## G

|                                       |      |
|---------------------------------------|------|
| Generator, parity                     | 2.15 |
| Graphics board, high-resolution color |      |
| alpha mode                            | 9.9  |
| graphics mode                         | 9.11 |
| memory addresses                      | 9.12 |
| Graphics memory addresses             | 9.12 |
| Graphics mode                         | 9.11 |
| Graphics board (HRCGB) jumpers        | E.1  |
| Graphics board, high-resolution color | 5.1  |
| Graphics board, specifications        | A.5  |

## I

|   |            |
|---|------------|
| I/O channels                                  | 2.25       |
| Inhibit                                       | 6.34       |
| Interface channel, RS-232C                    | 2.23       |
| Interface, Fixed Disk (Winchester) Controller | 3.5        |
| components                                    | 3.5        |
| Interfaces                                    |            |
| external                                      | F.11       |
| internal                                      | F.1        |
| Interleaves                                   | 7.31       |
| Interrupt controllers                         | 6.26, 2.21 |
| Interrupt channels                            | 2.21       |
| Interrupt                                     | 2.21       |
| non-maskable                                  | 2.21       |

## K

|                                      |            |
|--------------------------------------|------------|
| Keyboard controller                  | 6.29, 2.22 |
| controller ports                     | 6.40       |
| inhibiting the keyboard              | 6.34       |
| input buffer                         | 6.37       |
| interface system commands            | 6.37       |
| keyboard controller system interface | 6.34       |
| output buffer                        | 6.36       |
| Receiving Data from the Keyboard     | 6.29       |
| Scan-Code Translation                | 6.29       |
| Sending Data to the Keyboard         | 6.33       |
| Keyboard data                        | 6.29       |

## M

|   |      |
|---|------|
| Memory map, system                      | 6.21 |
| Memory refresh                          | 6.22 |
| Memory refresh controller               | 2.13 |
| Memory controller                       | 2.13 |
| Microprocessor specifications (see CPU) | A.1  |
| Mode control logic                      | 5.13 |
| Monitor compatibility                   | 5.18 |
| Motherboard jumper and switch settings  | B.1  |

## N

|                             |           |
|-----------------------------|-----------|
| Non-maskable interrupt      | 2.21      |
| Numeric coprocessor jumpers | B.5       |
| Numeric coprocessor         | 6.5, 2.28 |

## O

|            |      |
|------------|------|
| Odd parity | 2.15 |
|------------|------|

## P

|                            |            |
|----------------------------|------------|
| Page registers             | 6.23, 2.18 |
| Parallel Printer Port (W2) | B.2        |
| Parallel printer port      | 6.43, 2.24 |
| Control Signals            | 6.44       |
| Parity logic               | 2.15       |
| Ports, specifications      | A.3        |
| Power requirements         | A.4        |
| Printer port, parallel     | 2.24       |
| Programmable timer         | 6.28, 2.22 |
| counter/timer channels     | 6.28       |
| counter/timer circuit      | 6.28       |
| Protected-address mode     | 6.4        |

## R

|                           |            |
|---------------------------|------------|
| RAM, system               | 2.12       |
| dynamic RAMs              | 2.12       |
| external                  | 2.12       |
| memory Map                | 6.21       |
| parity logic              | 2.15       |
| RAM banks                 | 2.12       |
| RAM chip access time      | 2.12       |
| refreshing                | 6.22, 2.13 |
| RAM banks, graphics board | 5.14       |
| Ready interface           | 2.5        |
| Real-address mode         | 6.3        |
| Real-time clock           | 6.6, 2.9   |
| addresses                 | 6.6        |
| I/O operations            | 6.20       |
| information               | 6.7        |
| Refresh cycle             | 6.4        |
| Refreshing                | 6.22, 2.13 |
| Reset signal              |            |
| RESET 286                 | 2.5, 2.9   |
| RESET 287                 | 2.5        |
| RESET 287 BUSY            | 2.5        |
| RS-232C interface channel | 2.23       |
| RS-232C serial port       | 6.41       |
| serial data structure     | 6.41       |
| serial port registers     | 6.42       |

## S

|  |      |
|--|------|
| Scan codes   | 6.29 |
| Serial communications port   | 2.23 |
| Serial data structure  | 6.41 |
| Serial port jumper (W1)  | B.1  |
| Specifications   | A.1  |
| Streaming Tape Interface (STI) Board (see Tape Interface Board, Streaming) | 4.1  |
| Support circuits   | 2.5  |
| bus controller   | 2.6  |
| wait-state generation  | 2.6  |
| System RAM (see RAM, System)   | 2.12 |
| System memory control and organization                                     | 2.10 |
| bus arbitration  | 2.14 |
| memory controller  | 2.13 |
| memory refresh controller  | 2.13 |
| System EPROM   | 2.9  |
| System clock and CPU reset   | 2.8  |
| 6-MHz or 8-MHz   | 2.8  |
| System memory map  | 6.21 |

## T

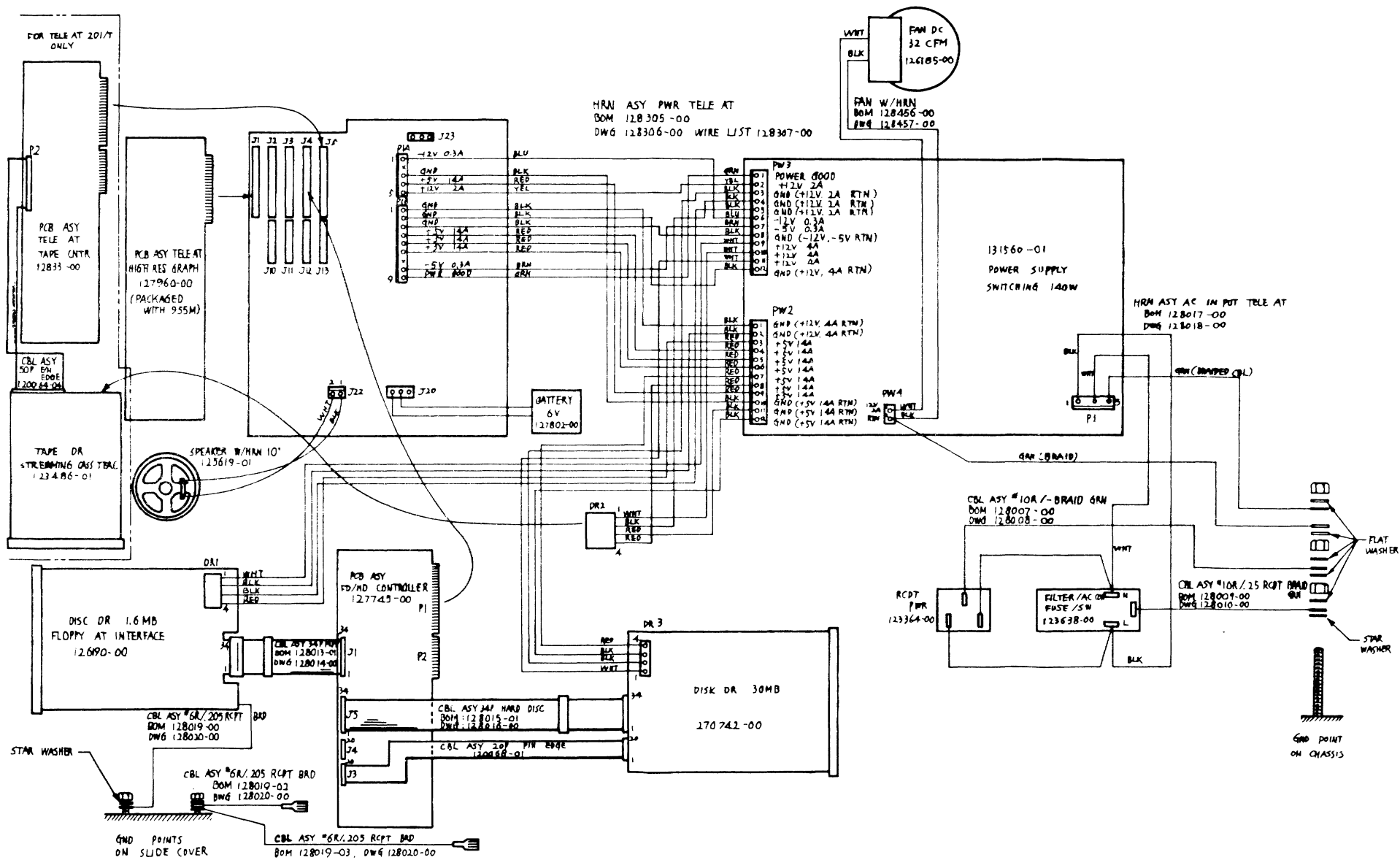
|                                 |      |
|---------------------------------|------|
| Tape drive, specifications      | A.3  |
| Tape drive jumpers              | D.1  |
| Tape interface board, streaming | 4.1  |
| data transfer                   | 4.16 |
| I/O interface                   | 4.4  |
| interface logic                 | 4.9  |
| interrupt control               | 4.8  |
| read operation                  | 4.14 |
| system interface                | 4.6  |
| write operation                 | 4.11 |
| command codes                   | 8.8  |
| configuration                   | 8.1  |
| data format                     | 8.6  |
| DMA transfers                   | 8.2  |
| tape interface                  | 8.2  |
| Timer, programmable             | 2.22 |
| counter/timer                   | 2.22 |

**W**

**Wait-State Generation**

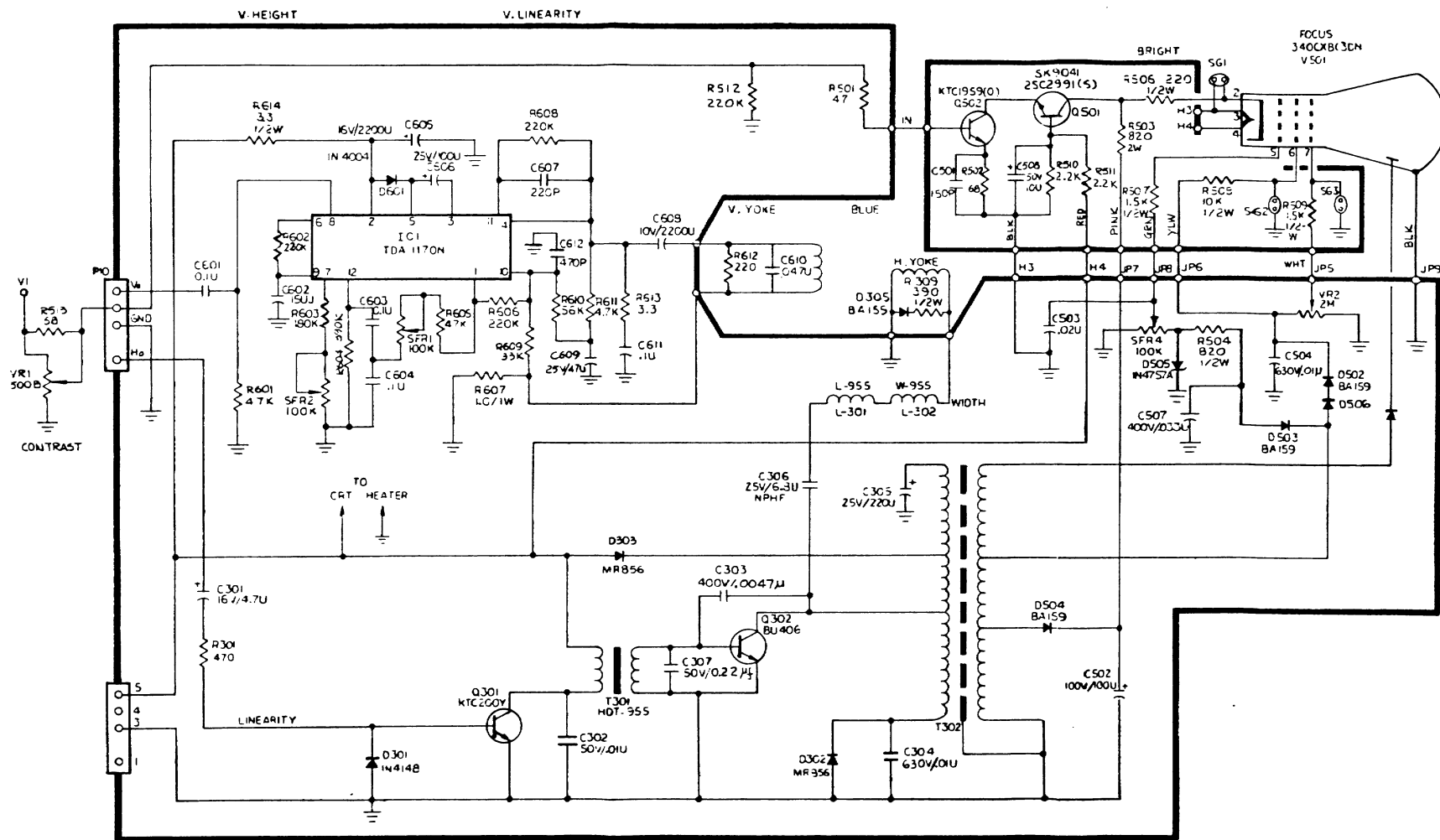
**2.6**





**SCHEMATIC DIAGRAMS  
WIRING DIAGRAM**



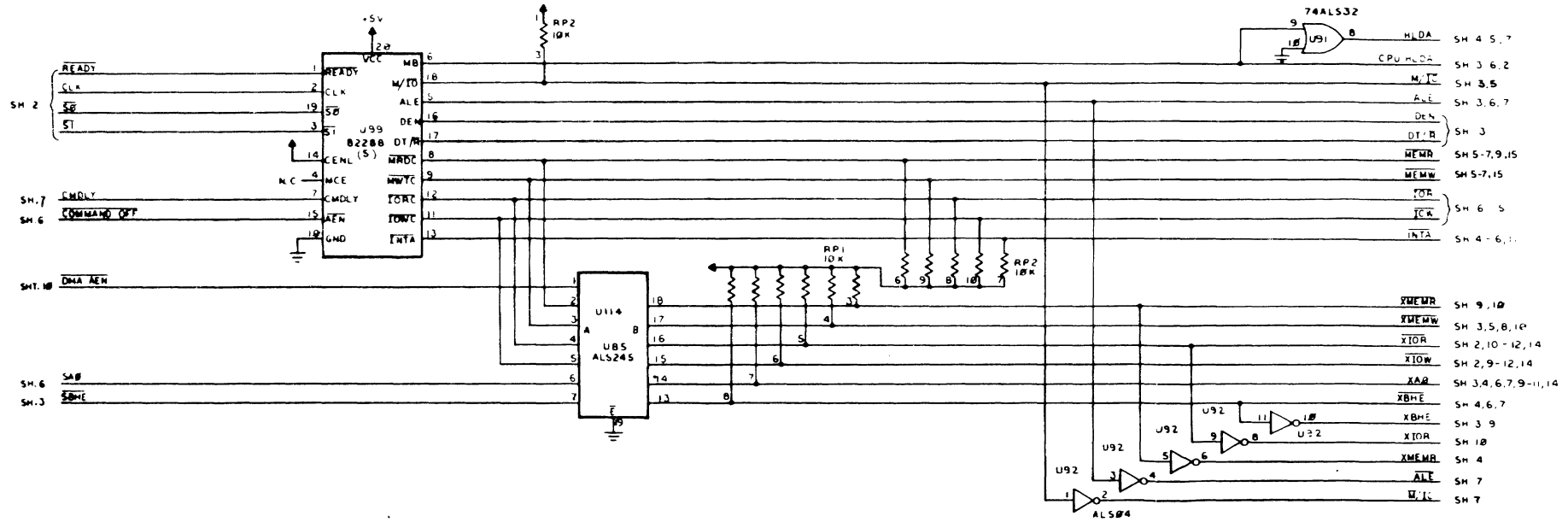
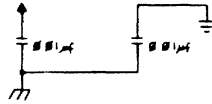


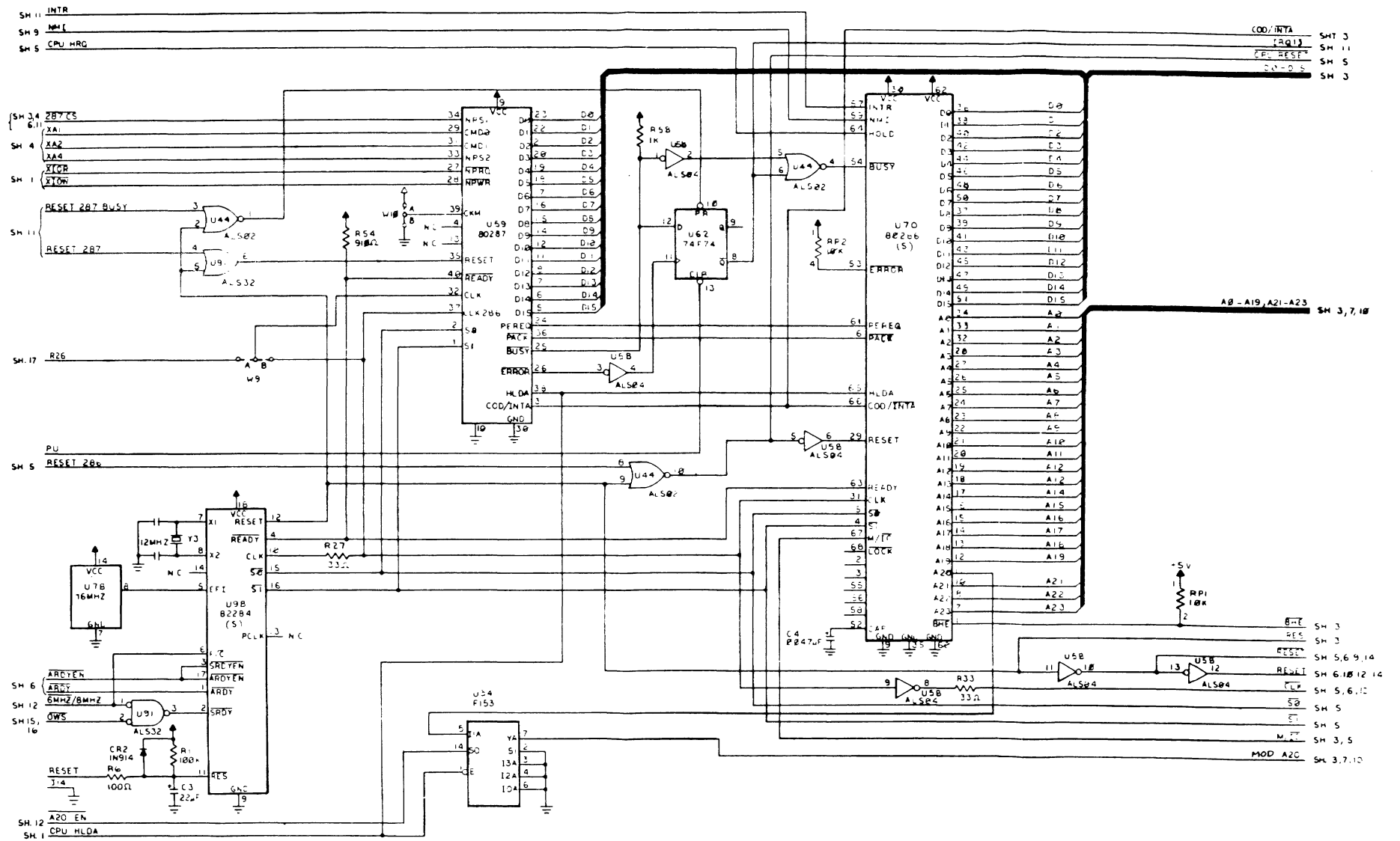
**SCHEMATIC DIAGRAMS  
TELECAT-286 MONITOR**

P1A-1 --- -12V  
 P1A-2 --- N.C.  
 P1A-3 --- GND  
 P1A-4 --- +5V  
 P1A-5 --- +12V

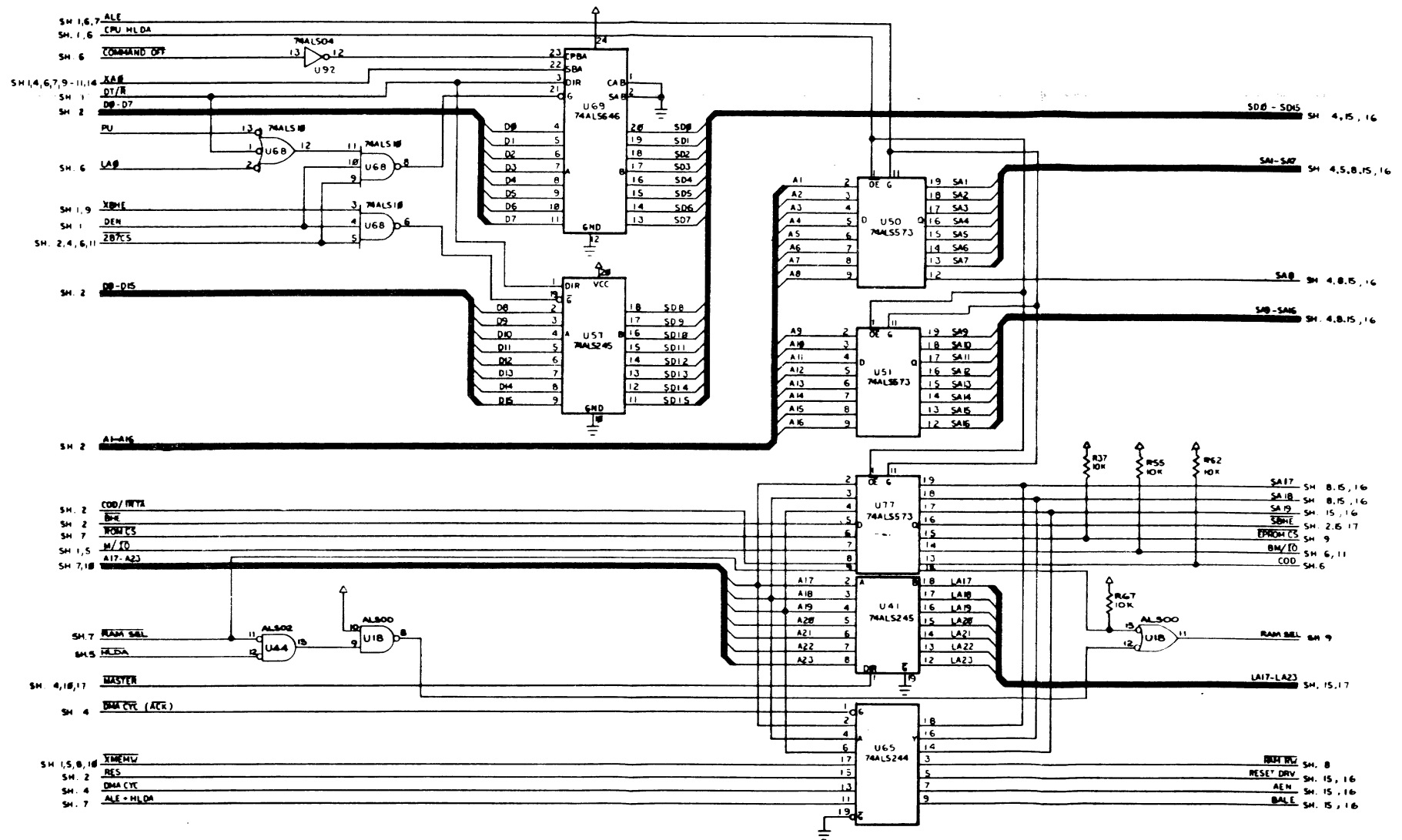
P1B-1 --- GND  
 P1B-2 --- GND  
 P1B-3 --- GND  
 P1B-4 --- +5V  
 P1B-5 --- +5V  
 P1B-6 --- +5V  
 P1B-7 --- N.C.  
 P1B-8 --- -5V

P1B-9 --- POWER GOOD SH 9, 12, 13

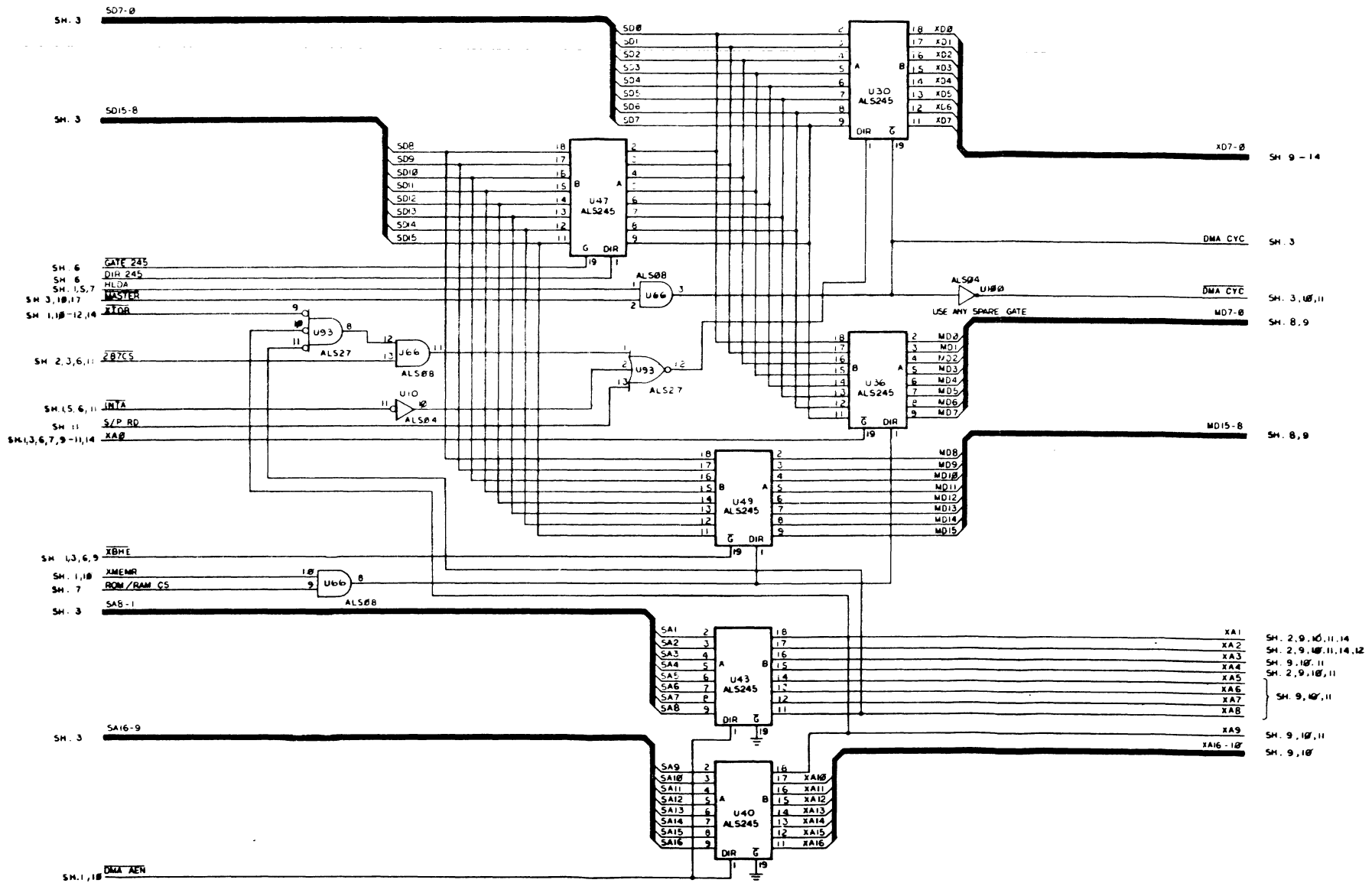




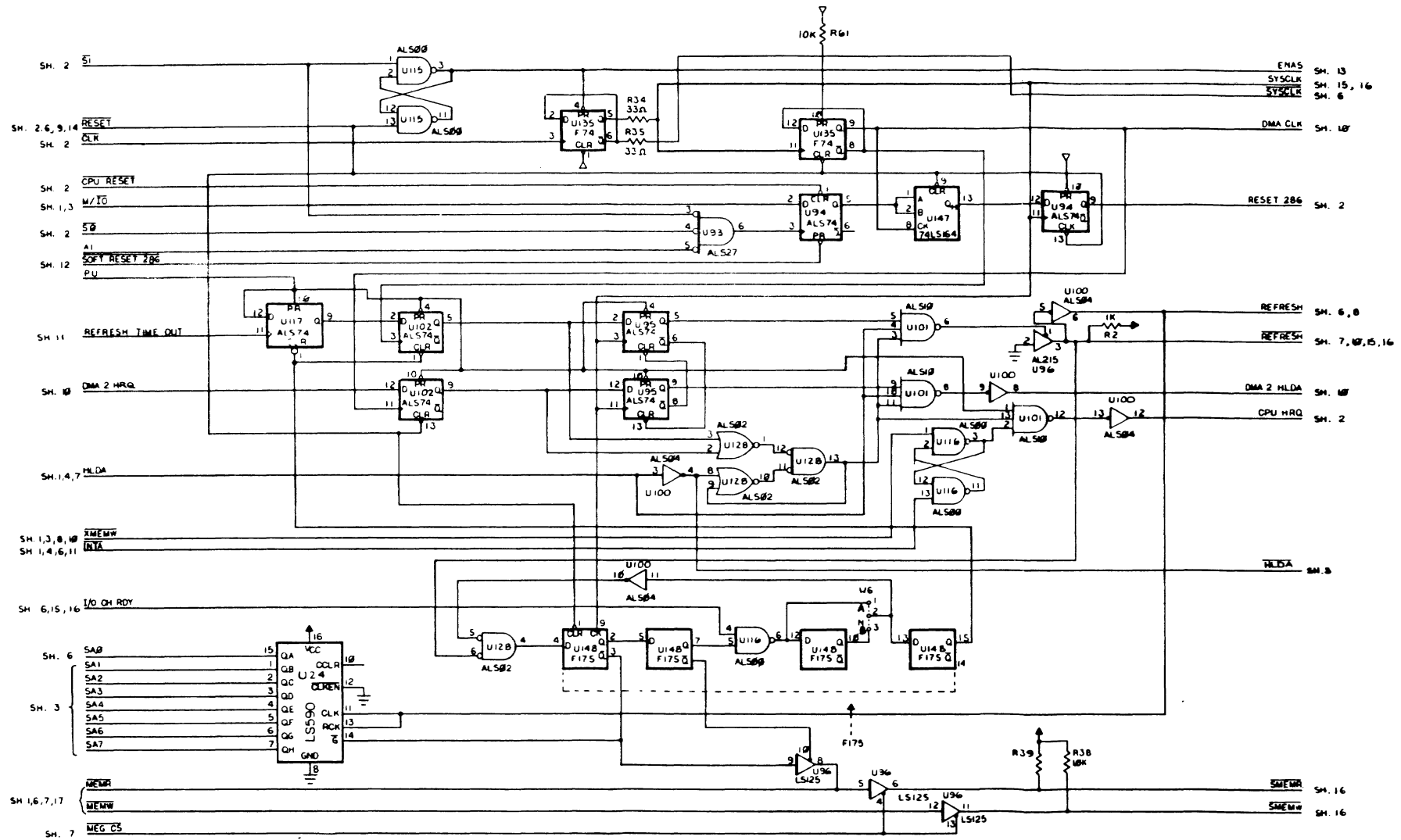
SCHEMATIC DIAGRAMS  
 MOTHERBOARD SHEET 2



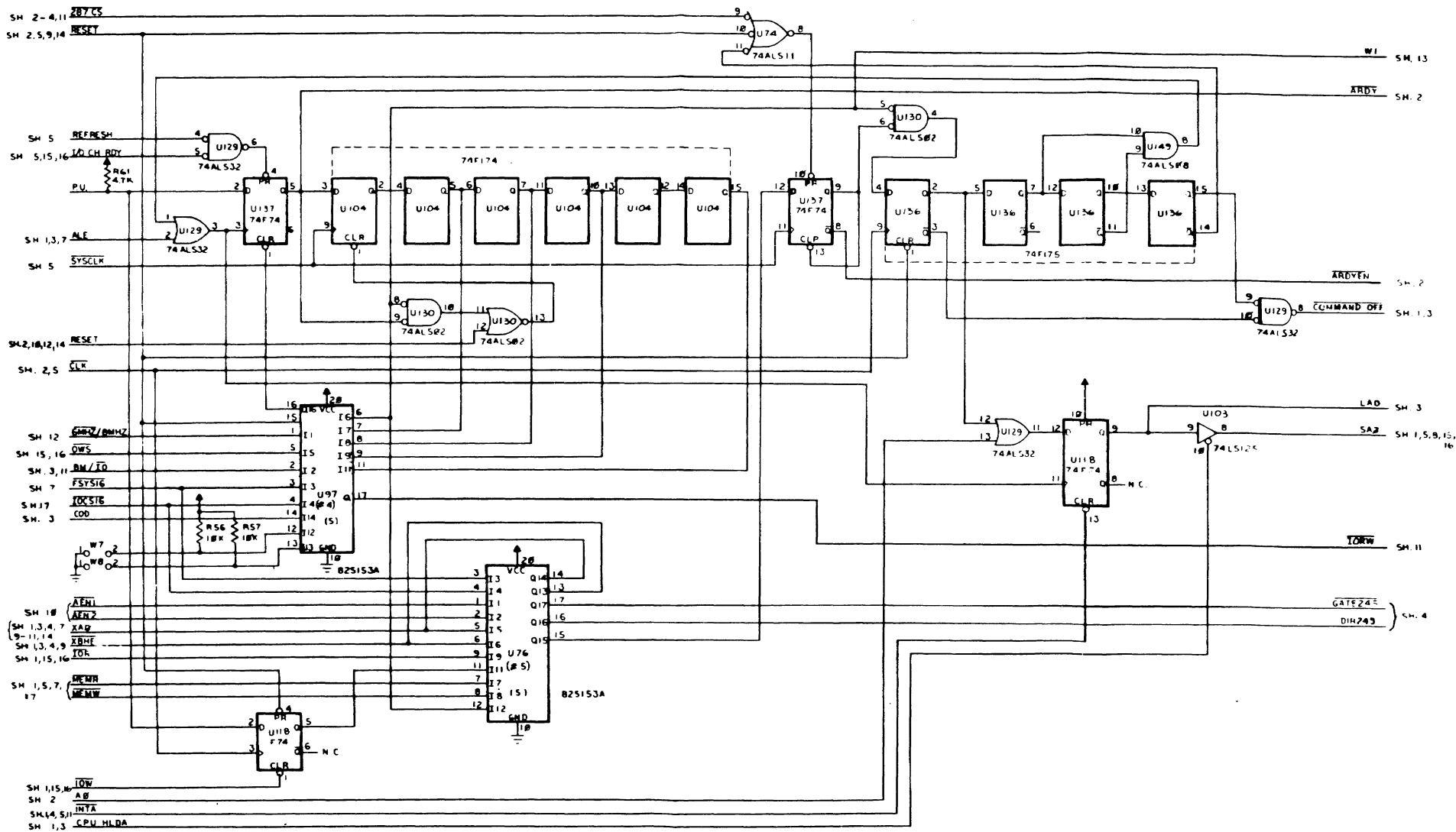
SCHEMATIC DIAGRAMS  
MOTHERBOARD SHEET 3



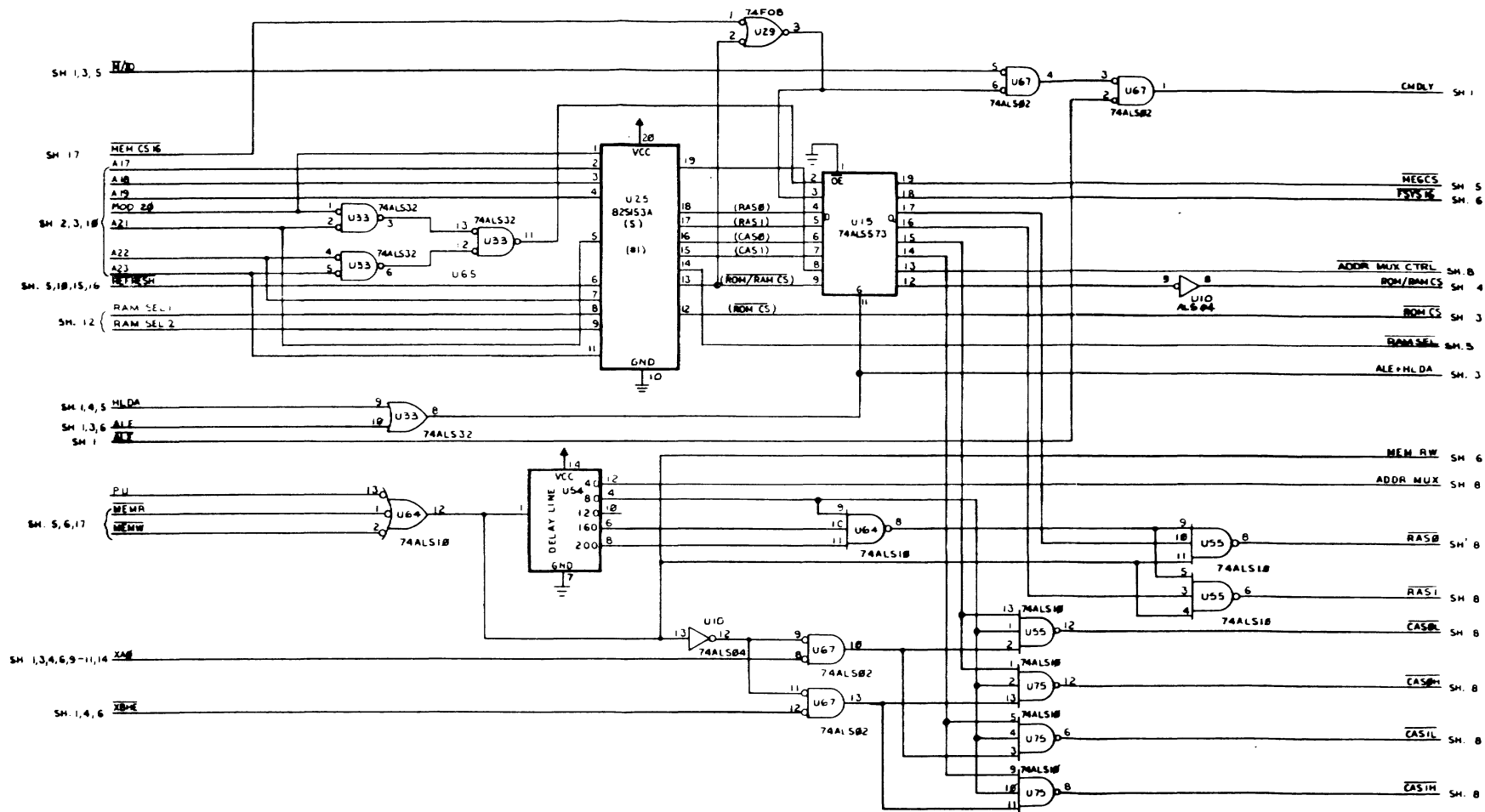
SCHEMATIC DIAGRAMS  
MOTHERBOARD SHEET 4



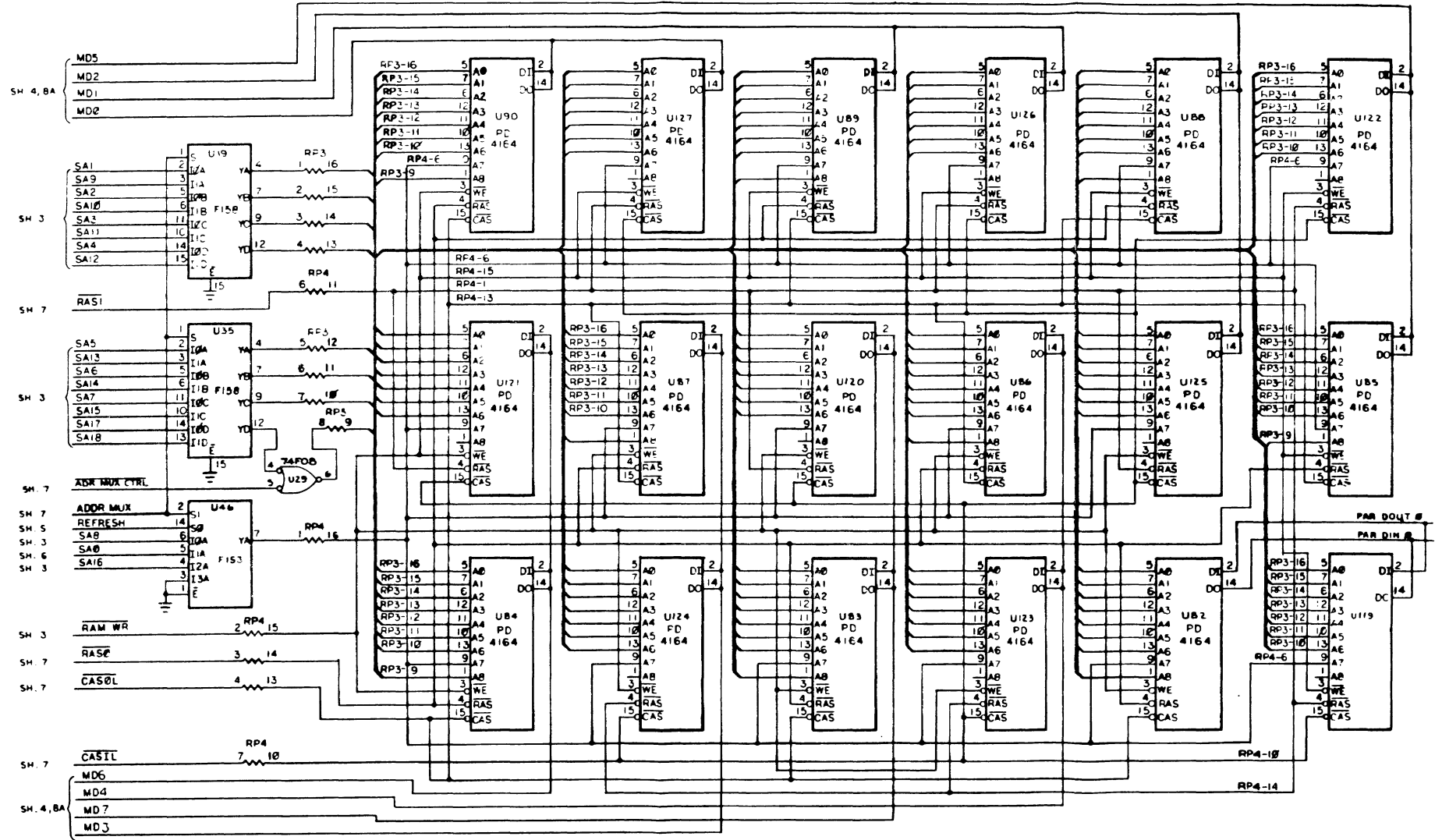




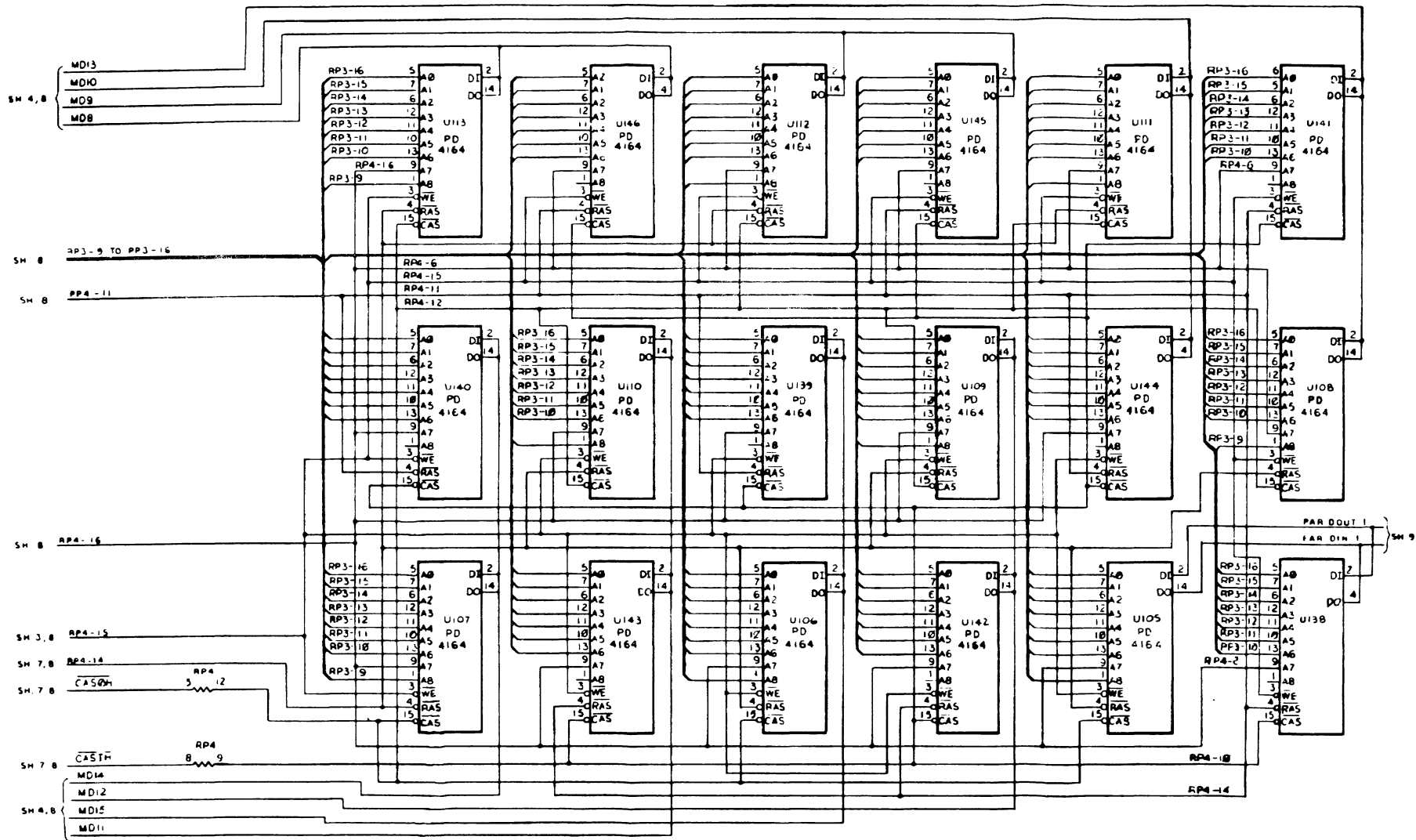
SCHEMATIC DIAGRAMS  
MOTHERBOARD SHEET 6



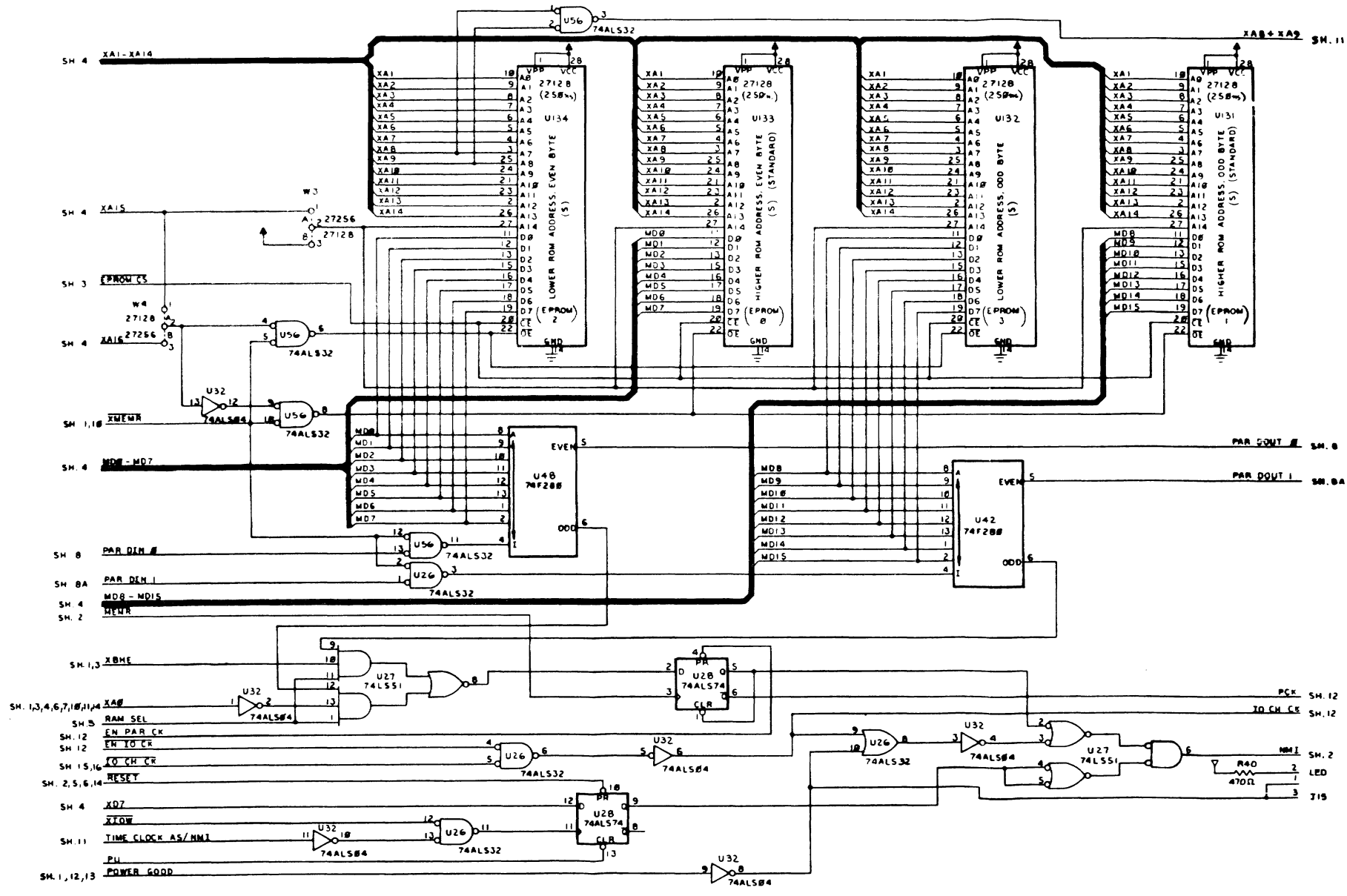
**SCHEMATIC DIAGRAMS**  
**MOTHERBOARD SHEET 7**



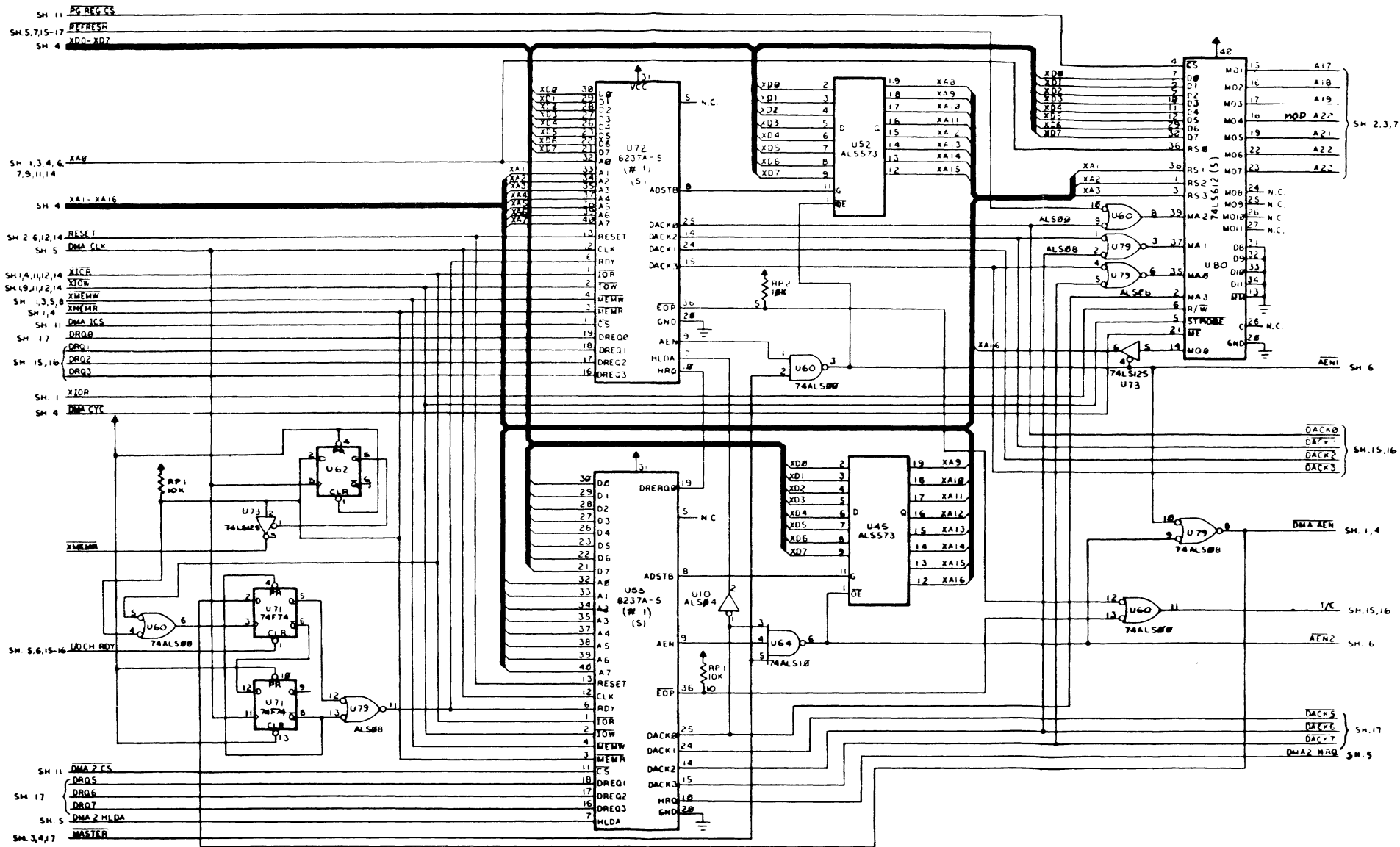
SCHEMATIC DIAGRAMS  
MOTHERBOARD SHEET 8



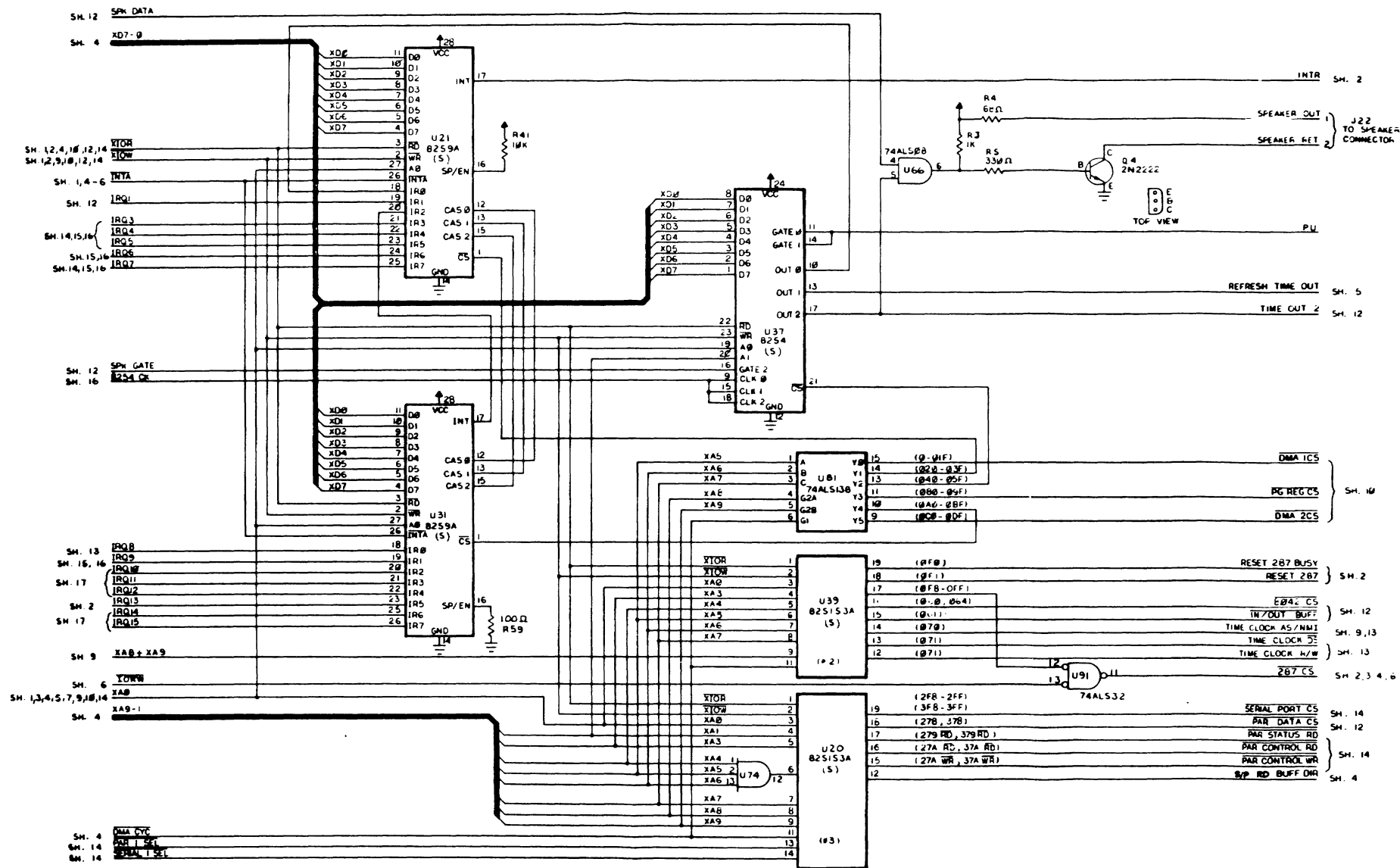
**SCHEMATIC DIAGRAMS  
MOTHERBOARD SHEET 8A**



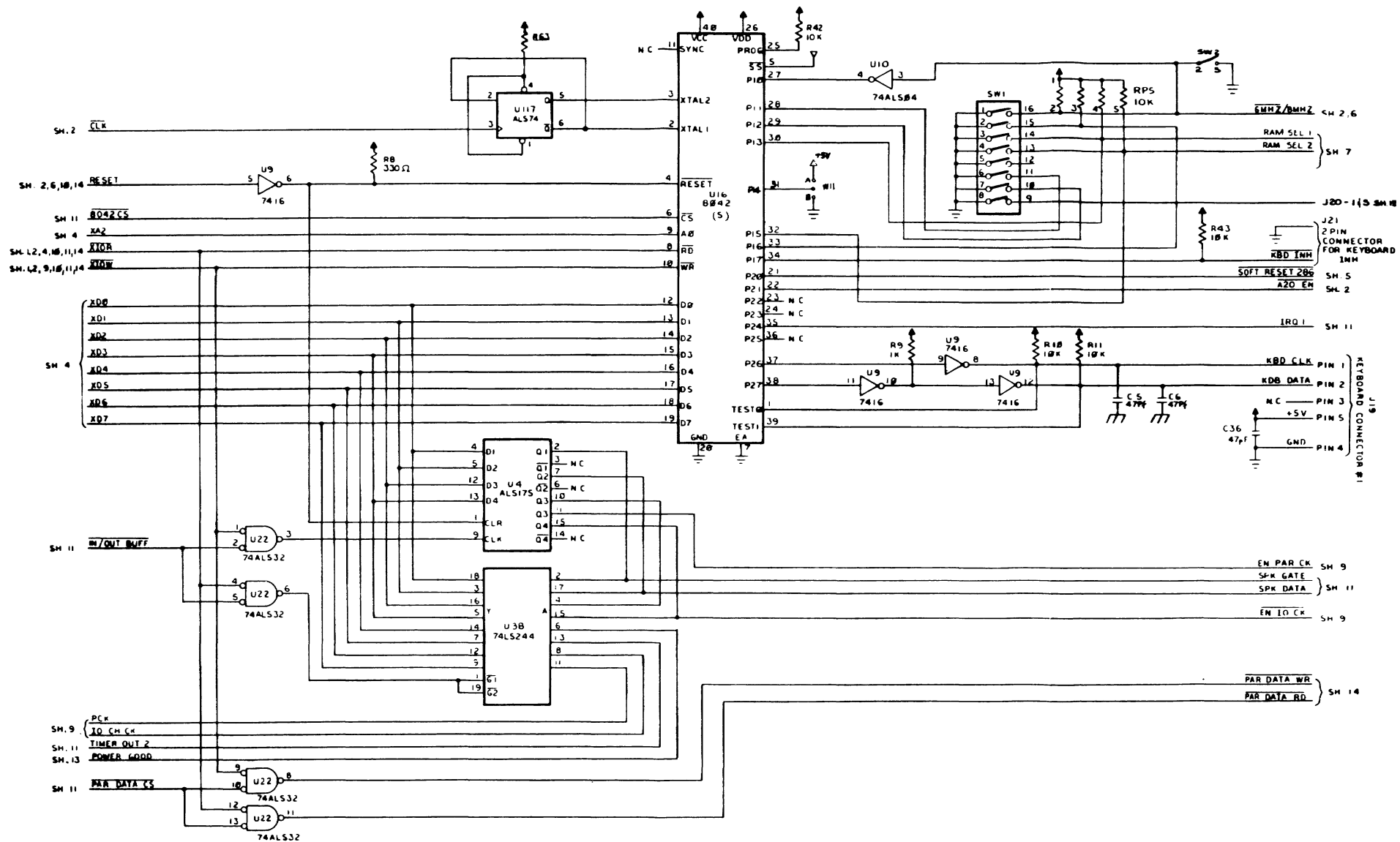
**SCHEMATIC DIAGRAMS  
MOTHERBOARD SHEET 9**



SCHMATIC DIAGRAMS  
 MOTHERBOARD SHEET 10

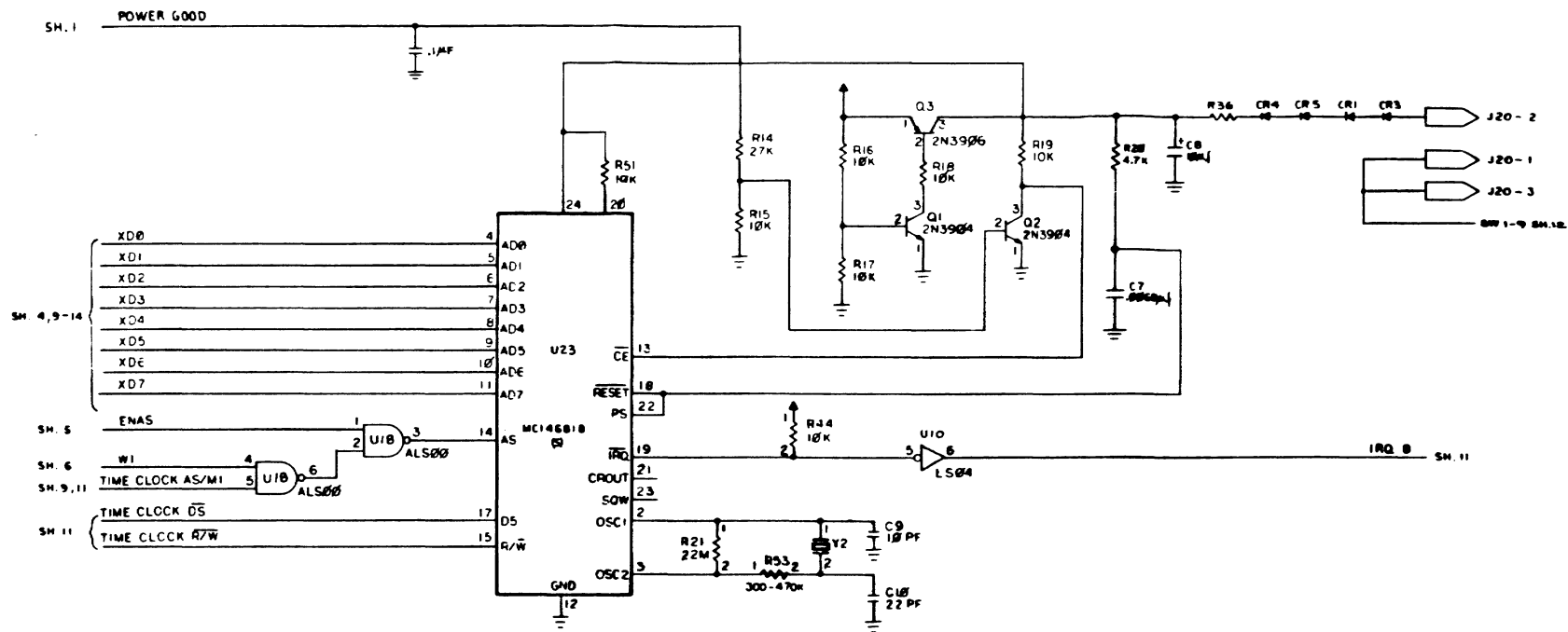


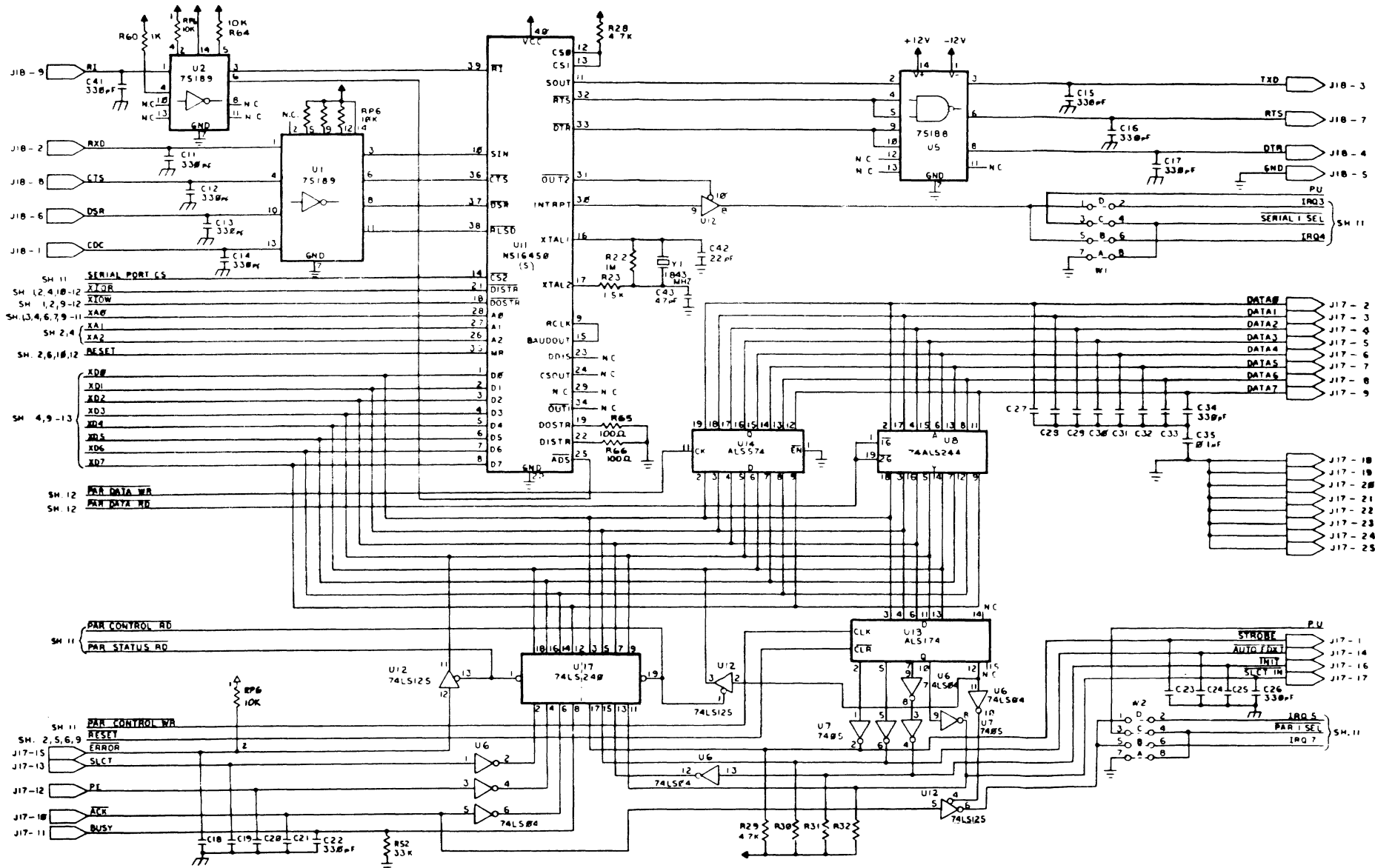
SCHMATIC DIAGRAMS  
MOTHERBOARD SHEET 11



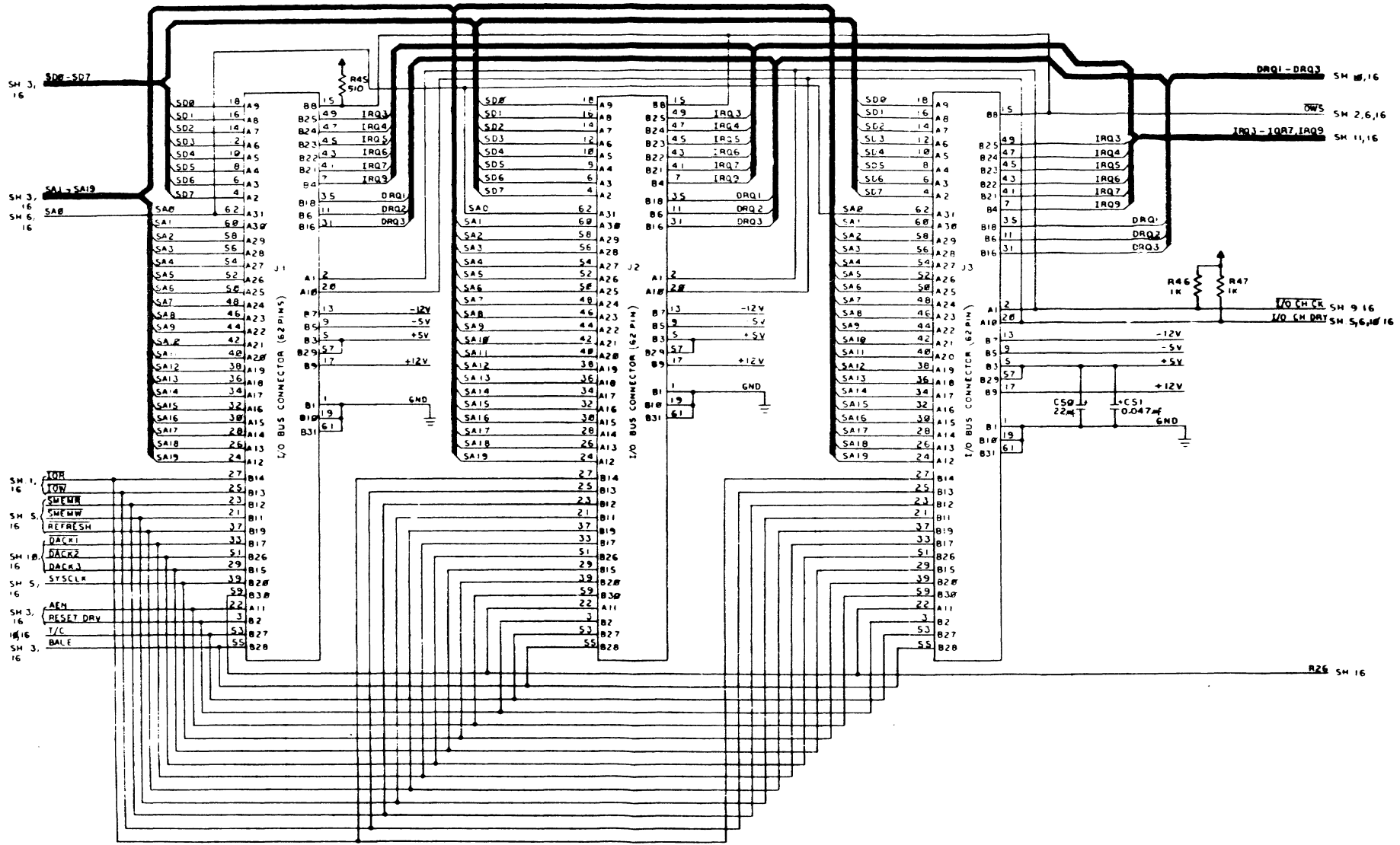
**SCHEMATIC DIAGRAMS  
MOTHERBOARD SHEET 12**

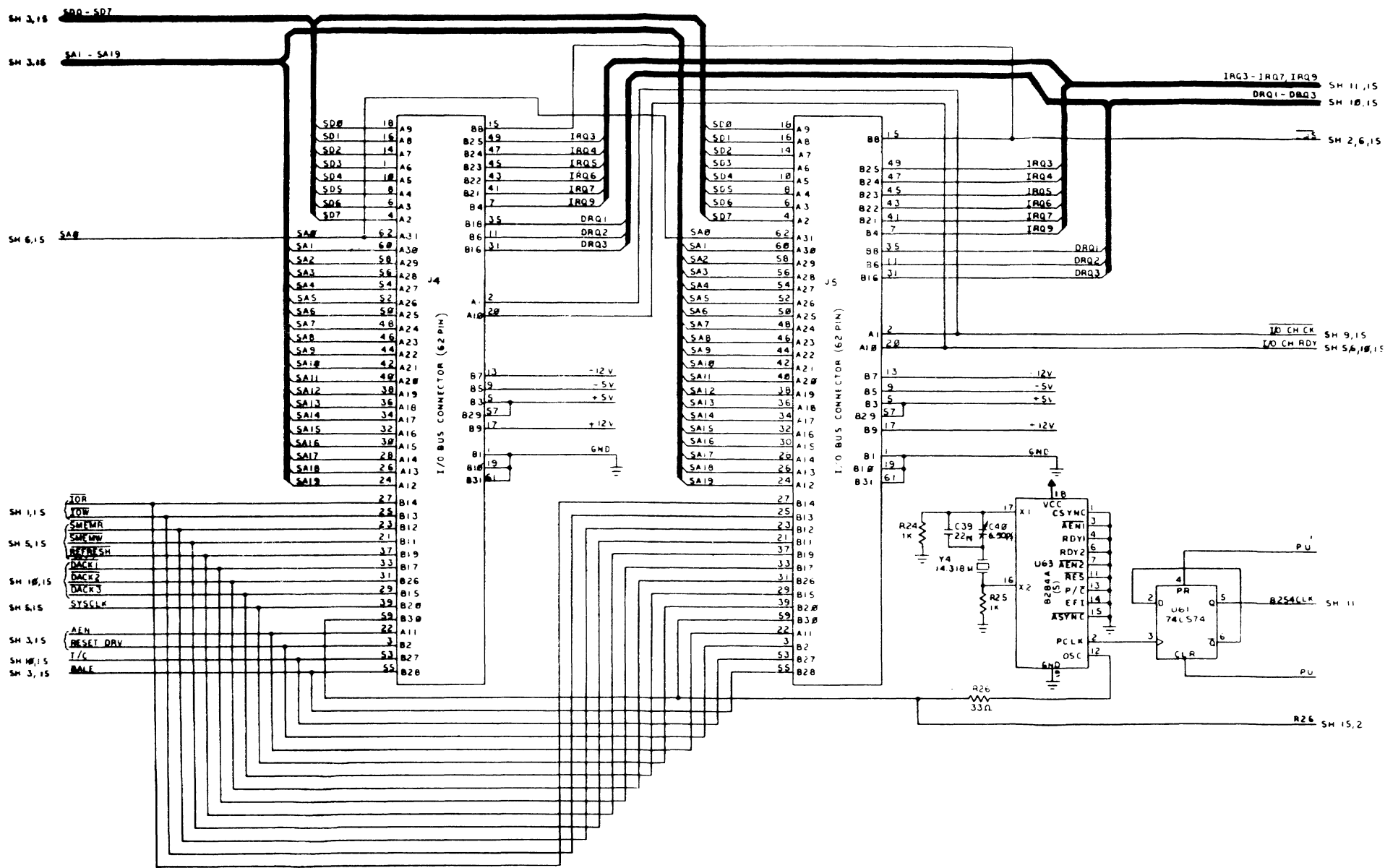




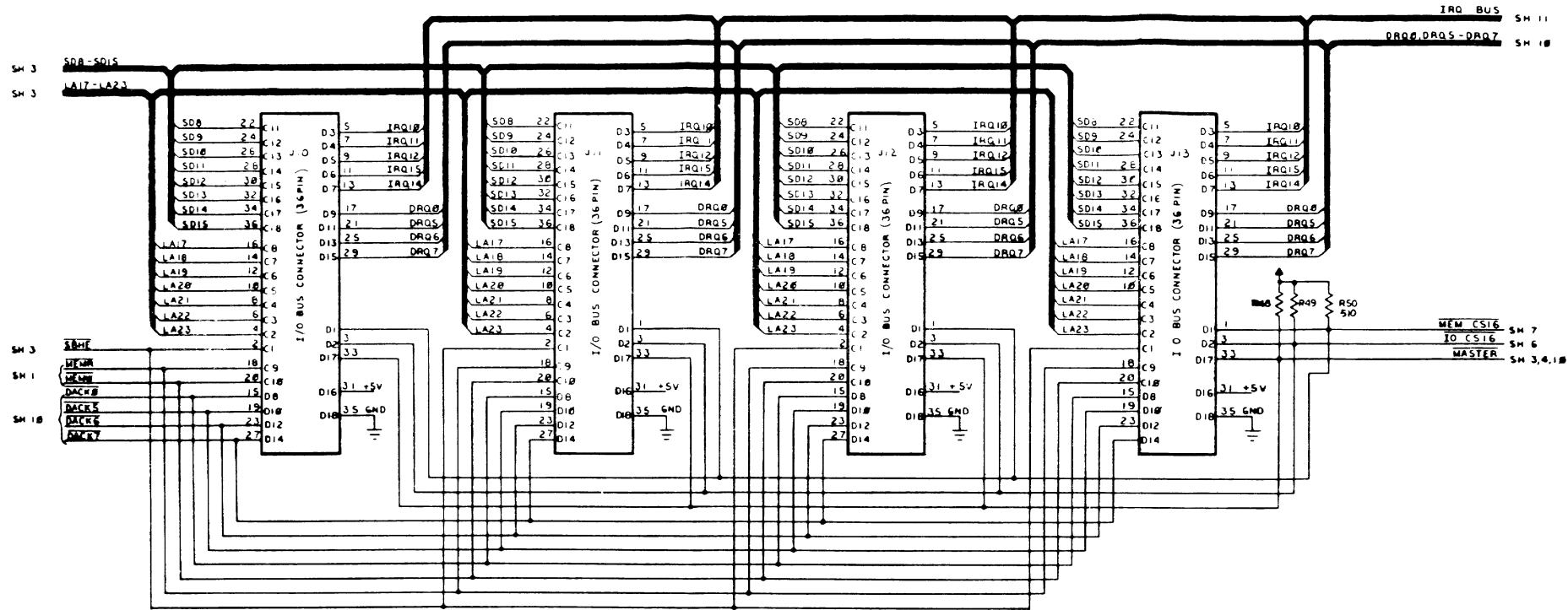


SCHEMATIC DIAGRAMS  
 MOTHERBOARD SHEET 14

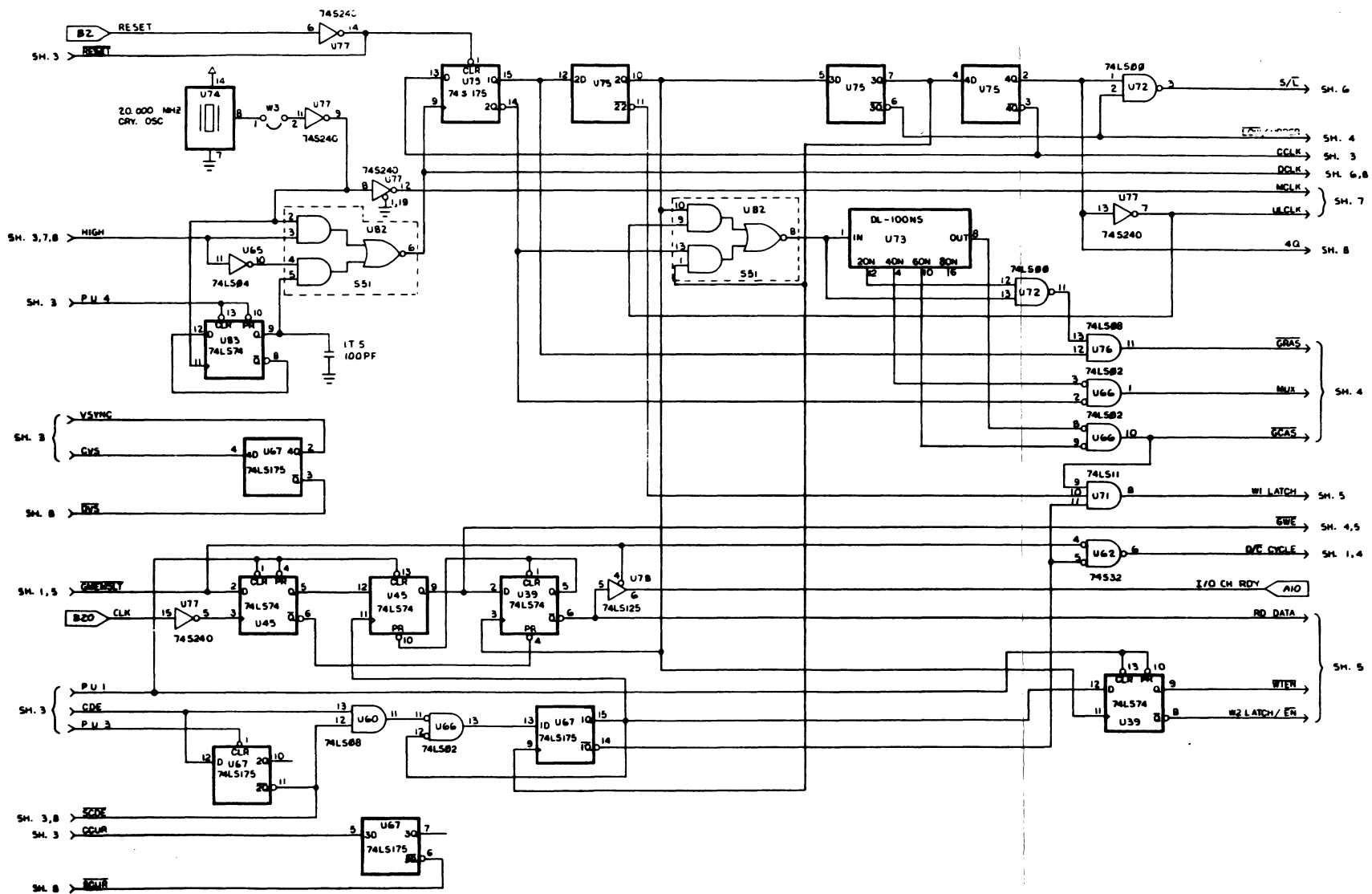




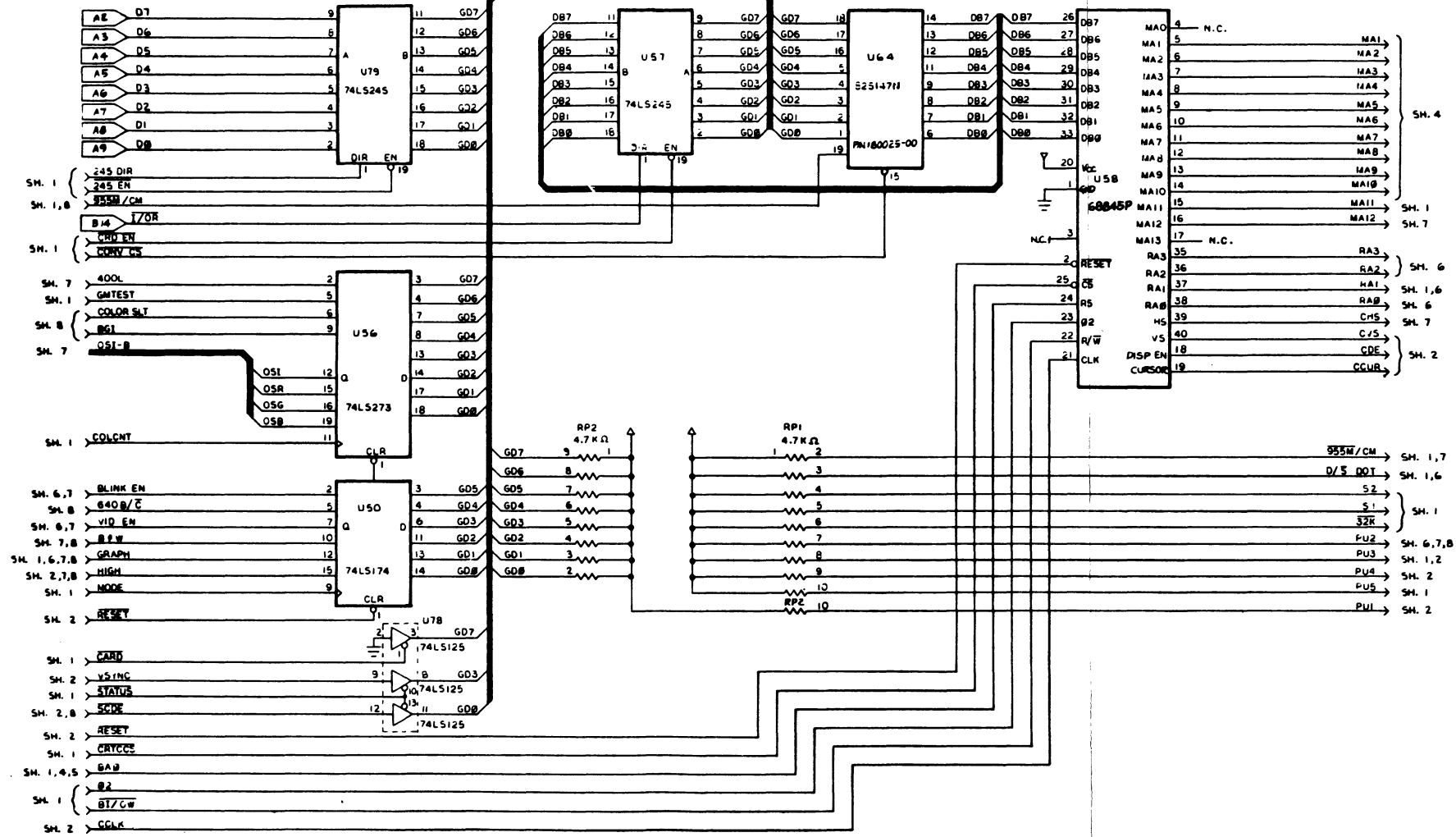
**SCHEMATIC DIAGRAMS**  
**MOTHERBOARD SHEET 16**





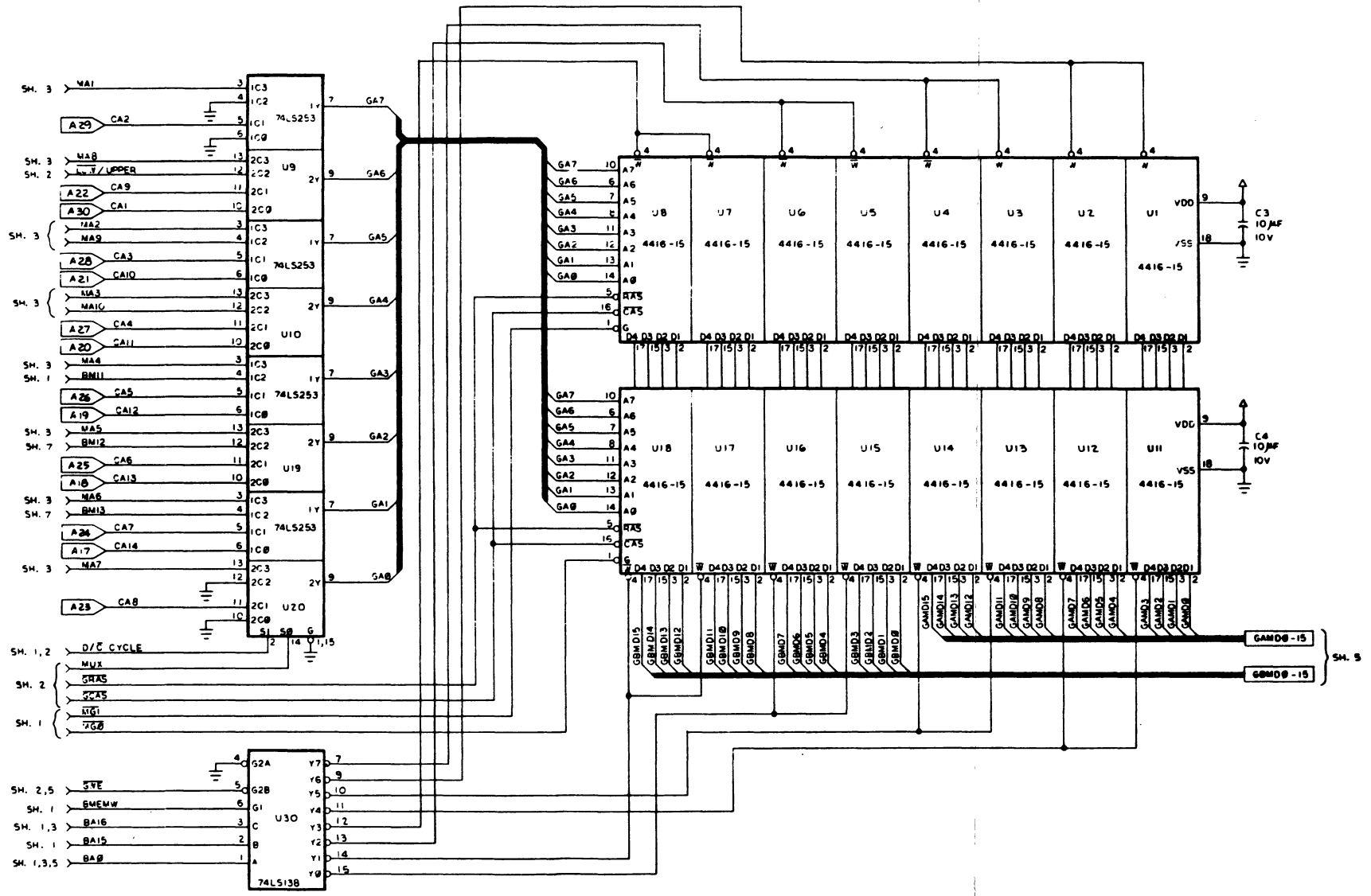


SCHEMATIC DIAGRAMS  
 GRAPHICS BOARD SHEET 2

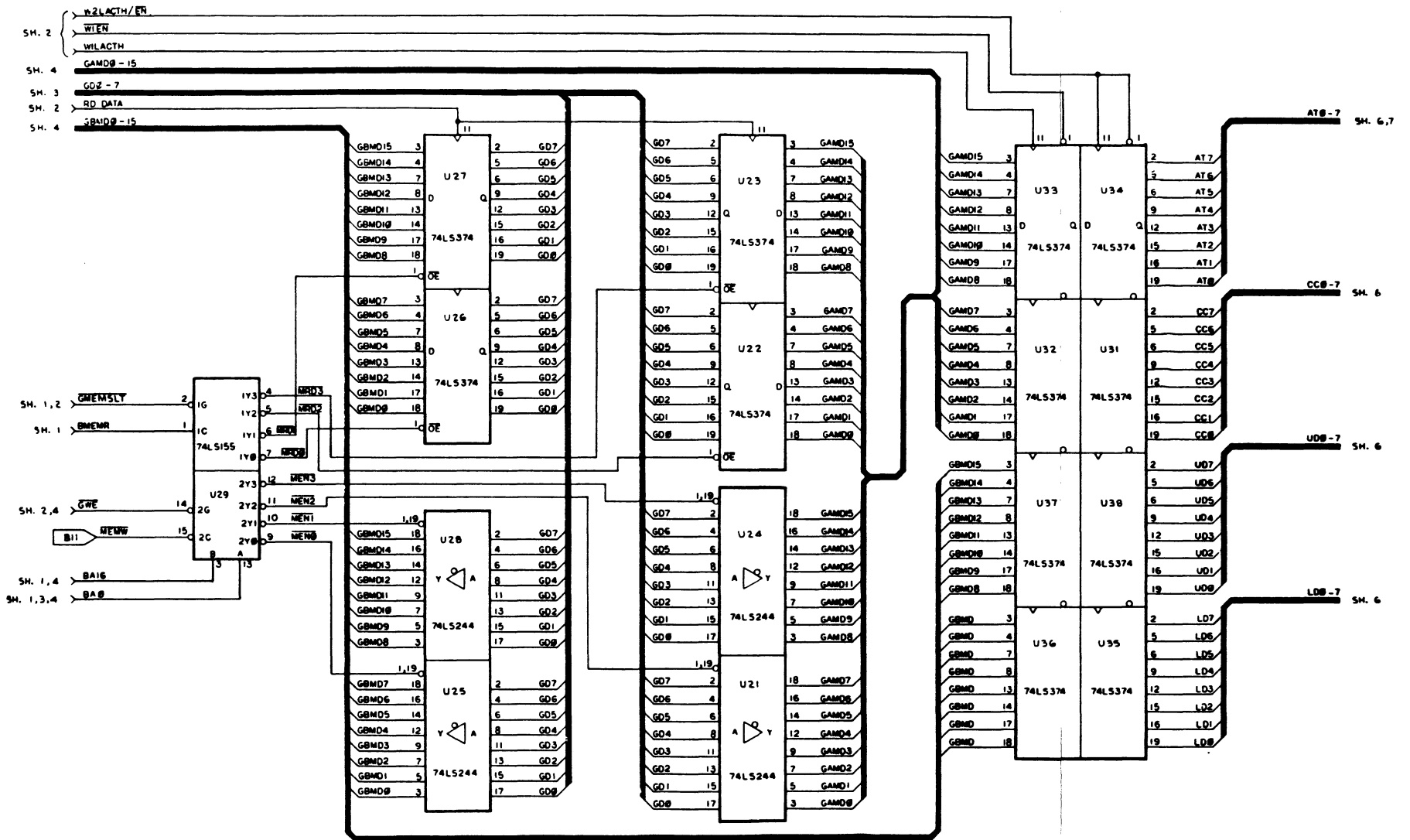


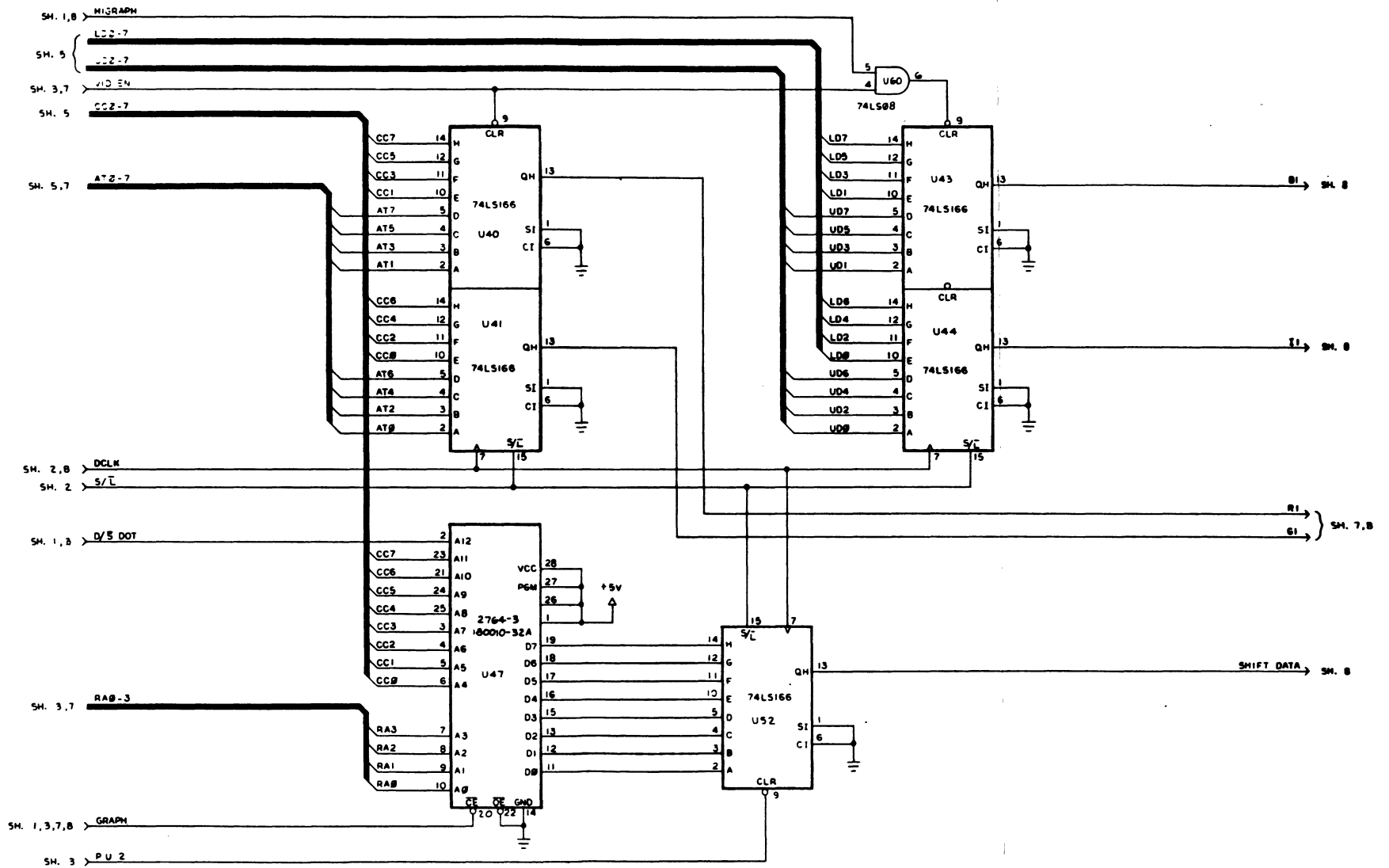
**SCHEMATIC DIAGRAMS  
GRAPHICS BOARD SHEET 3**



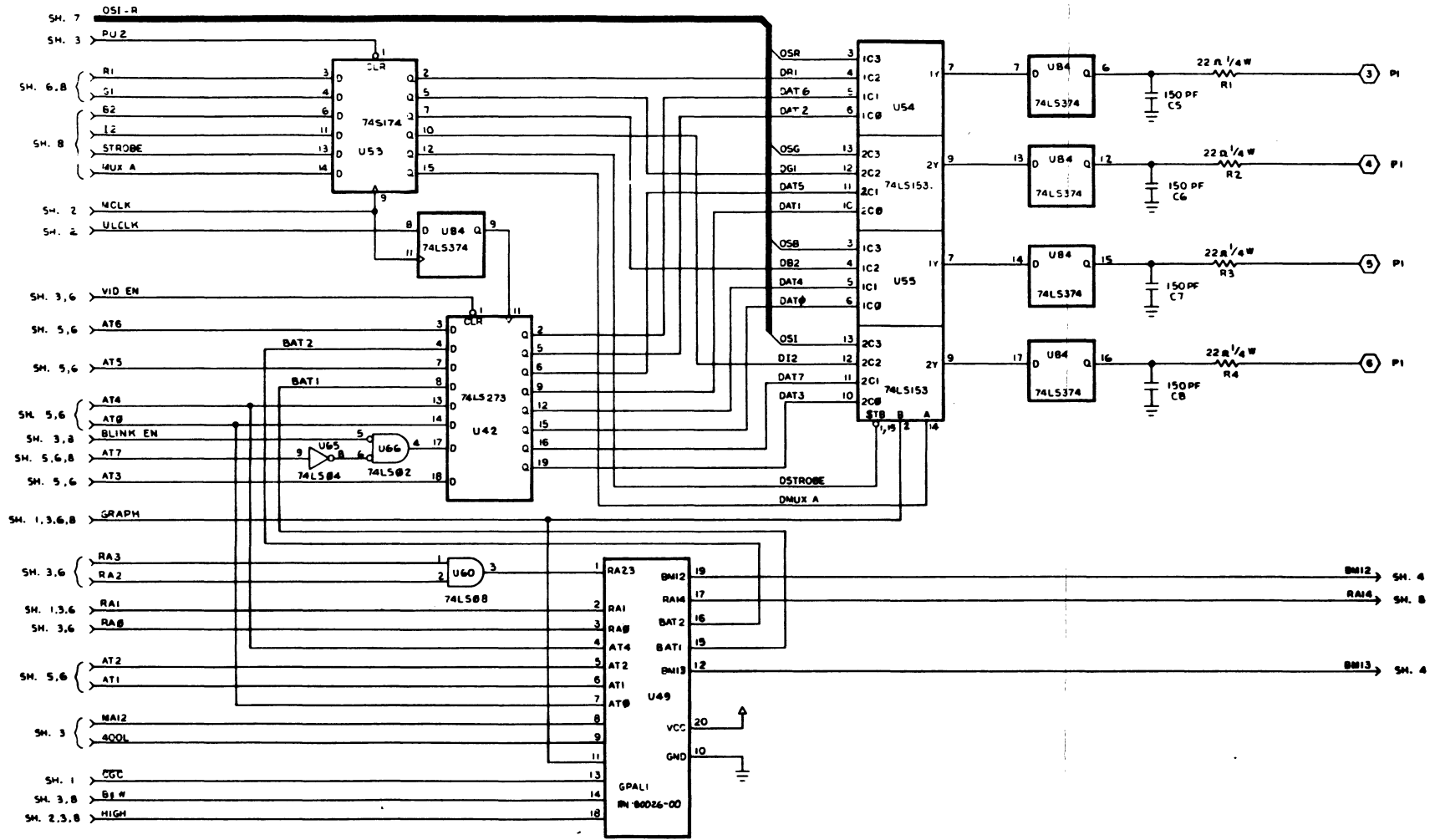


**SCHEMATIC DIAGRAMS  
GRAPHICS BOARD SHEET 4**

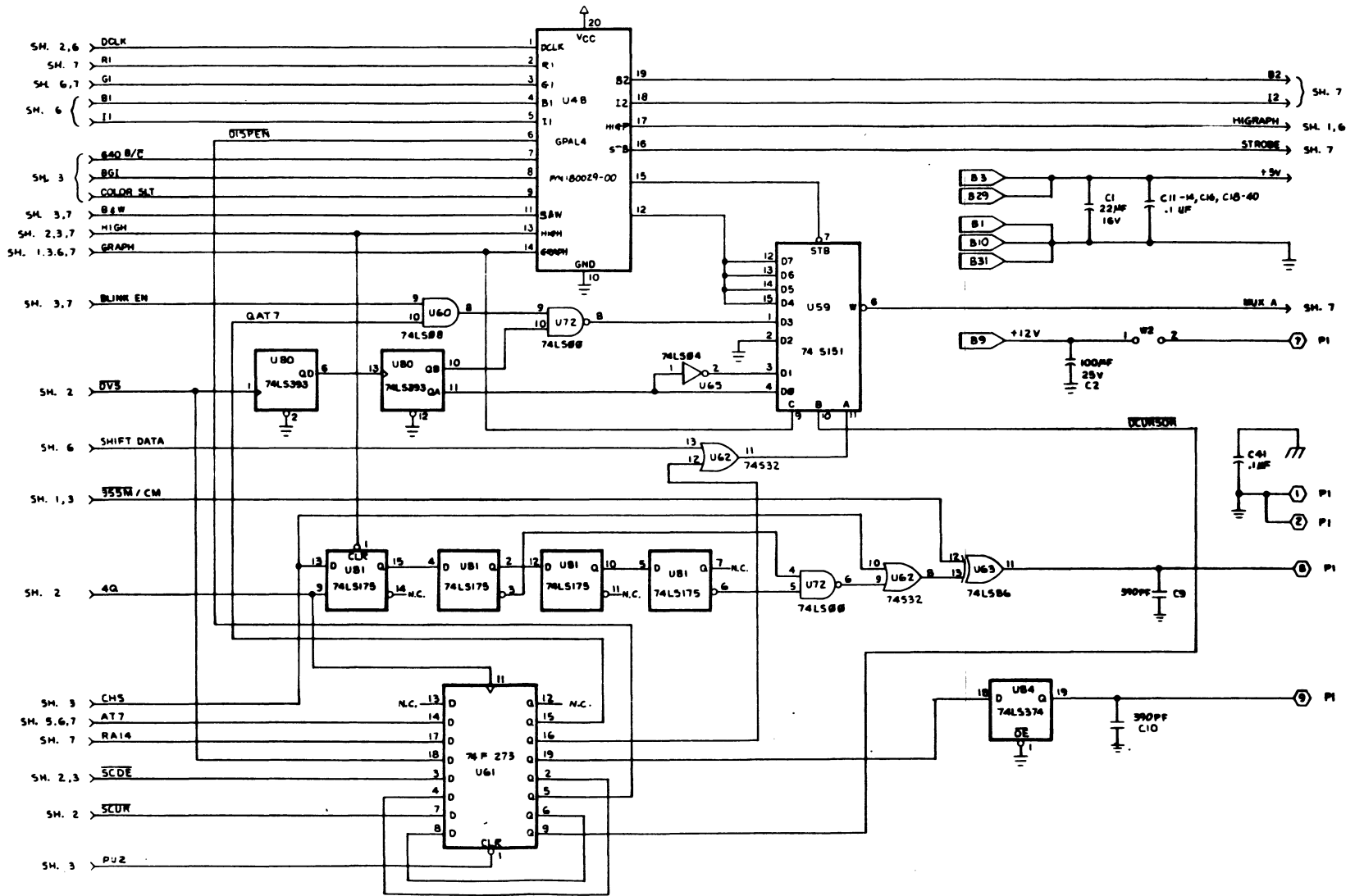




**SCHEMATIC DIAGRAMS  
GRAPHICS BOARD SHEET 6**



**SCHEMATIC DIAGRAMS  
GRAPHICS BOARD SHEET 7**



**SCHEMATIC DIAGRAMS  
GRAPHICS BOARD SHEET 8**