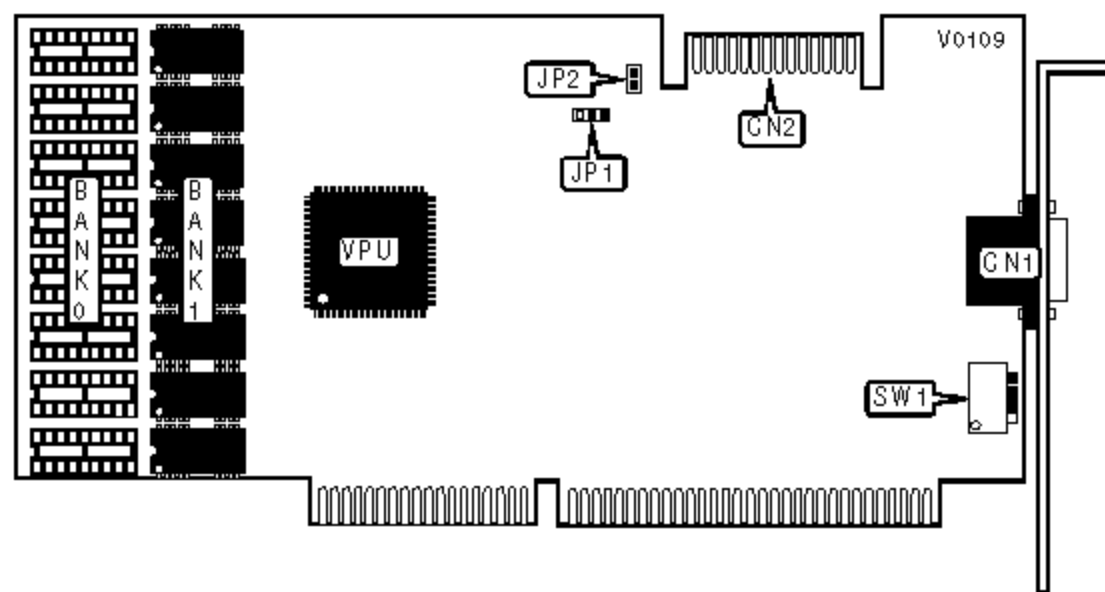


# UNIDENTIFIED

## NT-200B

<b>Category</b>	Video
<b>Video Types Supported</b>	XVGA
<b>Video Processor</b>	Unidentified
<b>Highest Resolution Supported</b>	1024 x 768
<b>Data Bus Type</b>	16-bit ISA
<b>Memory Type</b>	DRAM
<b>Maximum Onboard Memory</b>	512KB



### CONNECTIONS

Purpose	Location	Purpose	Location
15-pin analog video port	CN1	VGA feature connector	CN2

### FACTORY CONFIGURED - DO NOT ALTER

Switch	Setting
SW1/3	Off

### GRAPHICS MODE CONFIGURATION

Setting	JP1
» Extended graphics mode enabled	Pins 1 & 2 closed
Extended graphics mode disabled	Pins 2 & 3 closed

**MANUAL 16-BIT BIOS CONFIGURATION**

<b>Setting</b>		<b>JP2</b>
»	Initial setup and normal operation	Closed
<p>Note: JP2 should remain in the closed position unless the 16TEST program has been run and it recommends removing the jumper.</p>		

<b>TIMING SELECTION</b>		
<b>Timing</b>		<b>SW1/1</b>
»	Standard VGA timing	Off
	Special timing for multi-frequency monitors	On

<b>VGA MODE SELECTION</b>		
<b>Mode</b>		<b>SW1/2</b>
»	PS/2 style	On
	PC/AT style	Off

<b>BUS WIDTH AUTODETECT CONFIGURATION</b>		
<b>Setting</b>		<b>SW1/4</b>
»	Enabled	On
	Disabled	Off

<b>DRAM CONFIGURATION</b>		
<b>Size</b>	<b>Bank 0</b>	<b>Bank 1</b>
256KB	(8) 41256	None
512KB	(8) 41256	(8) 41256