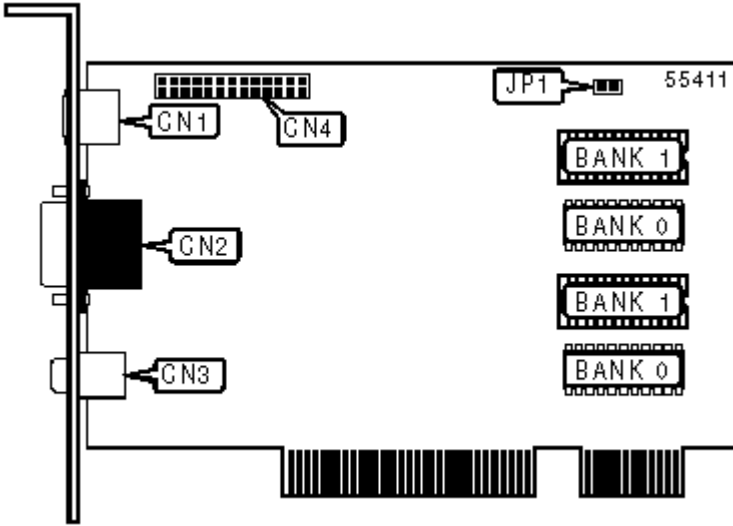


J-MARK COMPUTER CORPORATION

J-2000

Card Type	Video card
Video Chip Set	Cyberpro
Maximum Video Memory	2MB
Video Types Supported	VGA
Highest Resolution Supported	Unidentified
Data Bus	32-bit PCI



CONNECTIONS

Function	Label	Function	Label
S-Video out connector	CN1	Composite video out	CN3
15-pin analog video port	CN2	Feature connector (VGA)	CN4

USER CONFIGURABLE SETTINGS

Function	Label	Position
PAL TV system	JP1	Closed
NTSC TV system	JP1	Open

VRAM CONFIGURATION

Size	Bank 0	Bank 1
1MB	(2) 512KB	None
2MB	(2) 512KB	(2) 512KB