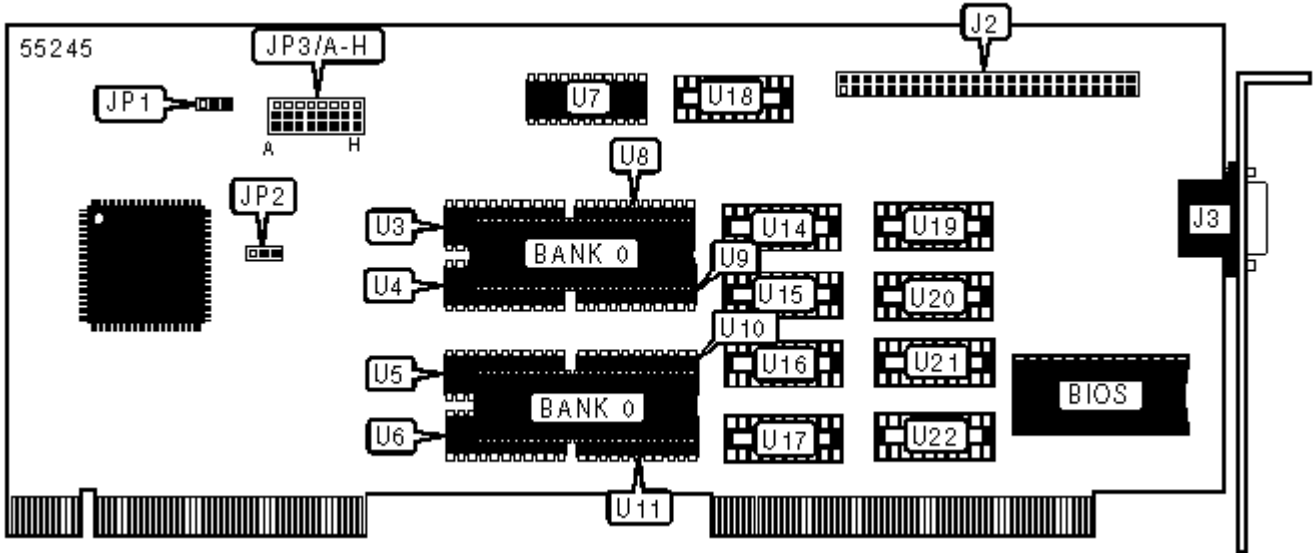


DATAEXPERT

DSP6430

Card Type	Video card
Video Chip Set	Unidentified
Maximum Video Memory	2MB DRAM
Video Types Supported	VGA
Highest Resolution Supported	1280 x 1024
Data Bus	32-bit VESA Local Bus



CONNECTIONS

Function	Label	Function	Label
Feature connector (VGA/VESA)	J2	15-pin analog video port	J3

BUS SPEED SELECTION

Setting	Label	Position
> = 33 MHz	JP1	Pins 1 & 2 closed
< = 33 MHz	JP1	Pins 2 & 3 closed

WAIT STATE SELECTION

Setting	Label	Position
0	JP2	Pins 2 & 3 closed
1	JP2	Pins 1 & 2 closed

VIDEO MEMORY JUMPER CONFIGURATION

Setting	JP3/A	JP3/B	JP3/C	JP3/D
---------	-------	-------	-------	-------

U3-U6, U7A, U8-U13 as Bank 0	1 & 2	1 & 2	1 & 2	1 & 2
U14-U22 as Bank 0	2 & 3	2 & 3	2 & 3	2 & 3

Note: Pins designated are in the closed position.

VIDEO MEMORY JUMPER CONFIGURATION

Setting	JP3/E	JP3/F	JP3/G	JP3/H
U3-U6, U7A, U8-U13 as Bank 0	1 & 2	1 & 2	1 & 2	1 & 2
U14-U22 as Bank 0	2 & 3	2 & 3	2 & 3	2 & 3

Note: Pins designated are in the closed position.

DRAM CONFIGURATION

Size	Bank 0	Bank 1
1MB	(8) 256KB x 4	None
2MB	(8) 256KB x 4	(8) 256KB x 4

XRAM CONFIGURATION

Size	Bank 2	Bank 3
1MB	(1) 256KB x 4	None
2MB	(1) 256KB x 4	(1) 256KB x 4