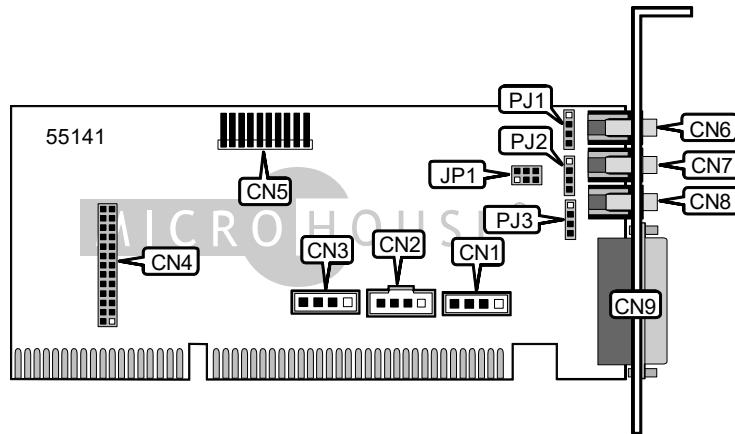


TERRATEC PROMEDIA SOUNDSYSTEM BASE 1, SOUNDSYSTEM BASE 64

Card Type	Sound card
Chip Set	Analog Devices
Maximum Onboard Memory	Unidentified
I/O Options	Wavetable connector, ActiveRadio connector, audio in - CD-ROM (3), line out (2), line in (2), microphone in (2), game/MIDI port
Data Bus	16-bit ISA
Card Size	Half-length, half-height card



CONNECTIONS			
Function	Label	Function	Label
Audio in - CD-ROM (Auxiliary)	CN1	Line in - external	CN7
Audio in - CD-ROM (Sony)	CN2	Microphone in - external	CN8
Audio in - CD-ROM (IDE)	CN3	Game/MIDI port	CN9
Wavetable connector	CN4	Line out - internal	PJ1
ActiveRadio connector	CN5	Line in - internal	PJ2
Line out - external	CN6	Microphone in - internal	PJ3

USER CONFIGURABLE SETTINGS		
Function	Label	Position
Line amplifier enabled	JP1	Pins 1 & 3, 2 & 4 closed
Line amplifier disabled	JP1	Pins 3 & 5, 4 & 6 closed