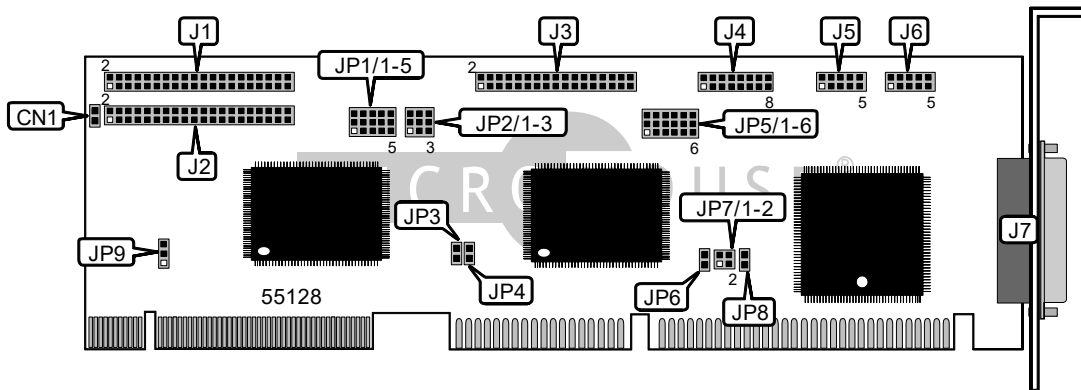


DATAEXPERT CORPORATION

MIO2050

Card Type	Multi-I/O card
Chip Set	Unidentified
I/O Options	Floppy drive interface, game port, IDE interface (2), parallel port, serial ports (2), 2-pin connector
Hard Drives supported	Four EIDE drives
Floppy drives supported	Two 360KB, 720KB, 1.2MB, or 1.44MB drives
Data Bus	32-bit VESA Local Bus
Card Size	Full-length, half-height



CONNECTIONS				
Function	Label	Function	Label	
2-pin connector - drive active LED	CN1	Game port	J4	
IDE interface 0	J1	Serial port 1	J5	
IDE interface 1	J2	Serial port 2	J6	
Floppy interface	J3	Parallel port	J7	

Continued on next page...

DATAEXPERT CORPORATION

MIO2050

...continued from previous page

USER CONFIGURABLE SETTINGS		
Function	Label	Position
í EIDE enabled	JP1/1	Pins 2 & 3
EIDE disabled	JP1/1	Pins 1 & 2
í 170/1F0 port test enabled	JP1/2	Pins 2 & 3
1F0 port test enabled	JP1/2	Pins 1 & 2
í SP1 set at 50MHz	JP1/3	Pins 2 & 3
SP1 set at 33MHz	JP1/3	Pins 1 & 2
í Floppy drive controller A/B change disabled	JP2/1	Pins 2 & 3
Floppy drive controller A/B change enabled	JP2/1	Pins 1 & 2
í Floppy drive address set at 3F7h	JP2/2	Pins 2 & 3
Floppy drive address set at 377h	JP2/2	Pins 1 & 2
í Floppy drive controller enabled	JP2/3	Pins 2 & 3
Floppy drive controller disabled	JP2/3	Pins 1 & 2
í IDE 1 IOCHRDY disabled	JP3	Open
IDE 1 IOCHRDY enabled	JP3	Closed
í IDE 0 IOCHRDY enabled	JP4	Closed
IDE 0 IOCHRDY disabled	JP4	Open
í Parallel port used for printer	JP6	Closed
Parallel port used for I/O peripherals	JP6	Open
í Game port enabled	JP8	Closed
Game port disabled	JP8	Open
í 170/1F0 port	JP9	Pins 1 & 2
1F0 port only	JP9	Pins 2 & 3
Note: Pins designated are in the closed position.		

PARALLEL PORT ADDRESS SELECTION		
Setting	JP5/5	JP5/6
í LPT1 (378h)	Pins 2 & 3	Pins 2 & 3
LPT2 (278h)	Pins 1 & 2	Pins 1 & 2
LPT3 (3BCh)	Pins 1 & 2	Pins 2 & 3
Disabled	Pins 2 & 3	Pins 1 & 2
Note: Pins designated are in the closed position.		

SERIAL PORT 1 ADDRESS SELECTION		
Setting	JP5/1	JP5/2
í COM1 (3F8h)	Pins 2 & 3	Pins 2 & 3
COM3 (3E8h)	Pins 1 & 2	Pins 1 & 2
Disabled	Pins 1 & 2	Pins 2 & 3
Note: Pins designated are in the closed position.		

SERIAL PORT 2 ADDRESS SELECTION		
Setting	JP5/3	JP5/4
í COM2 (2F8h)	Pins 2 & 3	Pins 2 & 3
COM4 (2E8h)	Pins 1 & 2	Pins 1 & 2
Disabled	Pins 1 & 2	Pins 2 & 3
Note: Pins designated are in the closed position.		

Continued on next page...

DATAEXPERT CORPORATION
MIO2050

...continued from previous page

PARALLEL PORT INTERRUPT SELECTION		
IRQ	JP7/1	JP7/2
IRQ7	Closed	Open
IRQ5	Open	Closed

HARD DISK DRIVE MODE SELECTION			
Mode	Cycle	JP1/4	JP1/5
0	600ns	Pins 2 & 3	Pins 2 & 3
1	500ns	Pins 1 & 2	Pins 2 & 3
2	400ns	Pins 2 & 3	Pins 1 & 2
3	240ns	Pins 1 & 2	Pins 1 & 2

Note: Pins designated are in the closed position.