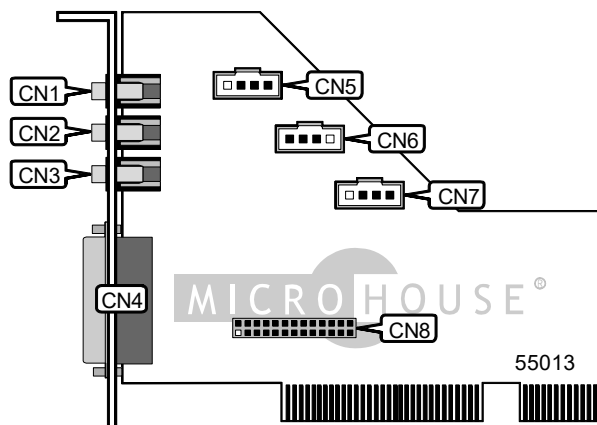


# AZTECH LABS, INC. PCI 338-A3D (VER. 1.0)

Card Type  
Chip Set  
I/O Options

Data Bus  
Card Size

Sound card  
Unidentified  
Line in, microphone in, line out, game/MIDI port, audio in - CD-ROM,  
TAD connector, auxiliary connector, wavetable connector  
32-bit PCI  
Half-length, half-height card



CONNECTIONS				
Function	Label	Function	Label	
Line in	CN1	Audio in - CD-ROM	CN5	
Microphone in	CN2	TAD connector	CN6	
Line out	CN3	Auxiliary line out	CN7	
Game/MIDI port	CN4	Wavetable connector	CN8	