

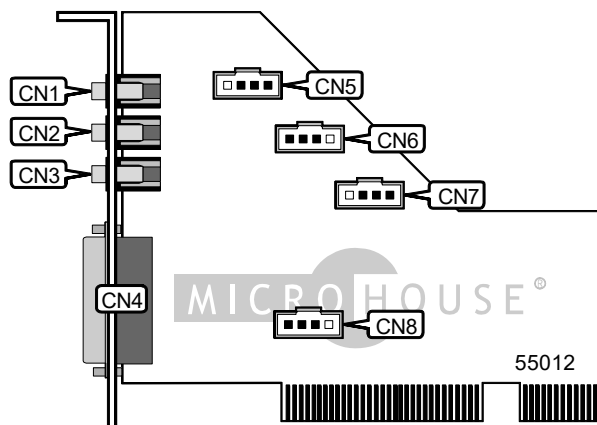
AZTECH LABS, INC.

PCI 338-A3D (VER. 0.2)

Card Type
Chip Set
I/O Options

Data Bus
Card Size

Sound card
Unidentified
Line in, microphone in, line out, game/MIDI port, audio in - CD-ROM,
TAD connector, auxiliary connector, video connector
32-bit PCI
Half-length, half-height card



CONNECTIONS				
Function	Label	Function	Label	
Line in	CN1	Audio in - CD-ROM	CN5	
Microphone in	CN2	TAD connector	CN6	
Line out	CN3	Auxiliary line out	CN7	
Game/MIDI port	CN4	Video connector	CN8	