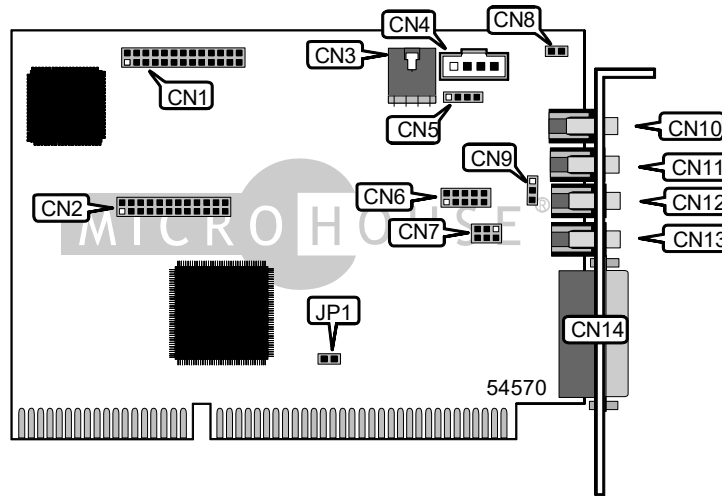


CREATIVE LABS, INC. SOUNDBLASTER AWE64 VALUE (CT4520)

Card Type	Sound card
Chip Set	Creative Technology
Maximum Onboard Memory	128MB DRAM (EDO supported) , Unidentified
I/O Options	Game/MIDI port, line in, microphone in (2), line out (2), speaker out (2), PC speaker connector, Audio in CD-ROM, memory upgrade connector, feature connector
Card Size	Half-length, full-height card
Data Bus	16-bit ISA



CONNECTIONS			
Function	Label	Function	Label
Feature connector	CN1	PC speaker connector	CN8
Memory upgrade connector	CN2	microphone in internal	CN9
Audio in CD-ROM (ATAPI)	CN3	Line in	CN10
Unidentified	CN4	microphone in external	CN11
TAD connector	CN5	Line out external	CN12
MB PRO connector	CN6	Speaker out external	CN13
Speaker/line out internal	CN7	Game/MIDI port	CN14

USER CONFIGURABLE SETTINGS			
Function	Label	Position	
MPU-401 enabled	JP1	Closed	
MPU-401 disabled	JP1	Open	