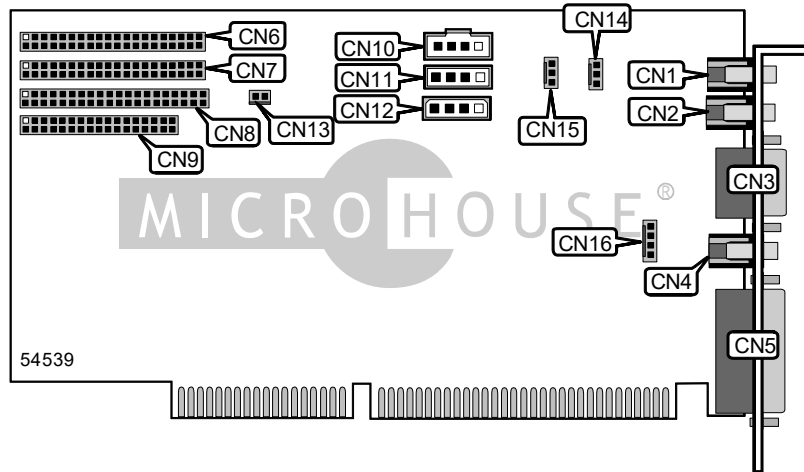


MIRO COMPUTER PRODUCTS, INC. MIROSOUND PCM1 PRO

Card Type	Sound card
Chip Set	Yamaha
Maximum Onboard Memory	2MB
I/O Options	CD-ROM interface(3), CD-Audio interface (3), game port, IDE interface, MIDI port, microphone, speaker, line in
Data Bus	16-bit ISA
Card Size	Full-length, full-height card



CONNECTIONS			
Function	Label	Function	Label
Microphone connector	CN1	CD-ROM connector (Sony)	CN9
Line in	CN2	CD-Audio connector (Sony)	CN10
MIDI connector (DB-9)	CN3	CD-Audio connector (Mitsumi)	CN11
Speaker connector	CN4	CD-Audio connector (Panasonic)	CN12
Game/MIDI connector	CN5	MPC stereo loudspeaker output	CN13
CD-ROM connector (Panasonic)	CN6	Line in connector - internal	CN14
CD-ROM connector (Mitsumi)	CN7	Auxiliary in connector	CN15
IDE connector	CN8	PC Speaker connector	CN16