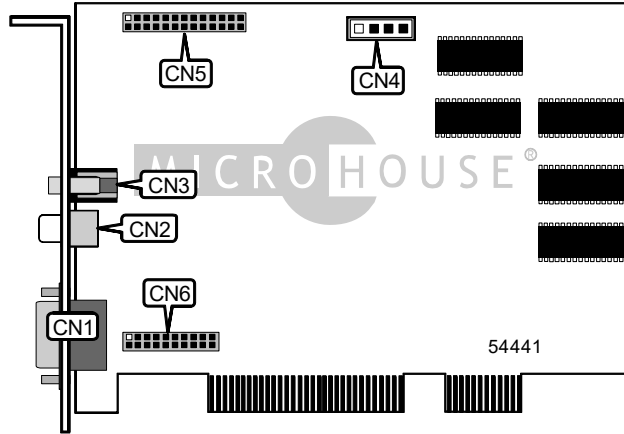


# MIRO COMPUTER PRODUCTS, INC. MIROMEDIA VIEW, MIROMEDIA TV

Card Type	Video card
Chip Set	S3
Maximum Onboard Memory	2MB
Maximum resolution	1024 x 768
I/O Options	Video port, composite video out, audio out
Data Bus	32-bit PCI
Card Size	Full-length, full-height card

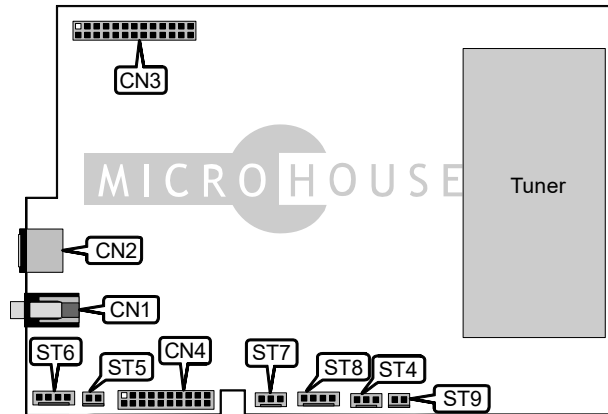


CONNECTIONS				
Function	Label	Function	Label	Label
Video port	CN1	Internal audio output	CN4	
Composite video output	CN2	Mother to daughter board connector	CN5	
Audio output	CN3	Mother to daughter board connector	CN6	
Note: The size of CN5 and CN6 is unidentified.				

Continued on next page . . .

MIRO COMPUTER PRODUCTS, INC.  
 MIROMEDIA VIEW, MIROMEDIA TV

... continued from previous page



CONNECTIONS				
Function	Label	Function	Label	
Antenna input	CN1	Composite video input - internal	ST5	
S-Video input	CN2	Parallel connection	ST6	
Daughter to motherboard connector	CN3	Control bus connector	ST7	
Daughter to motherboard connector	CN4	Audio input	ST8	
Intermediate frequency input	ST4	Tuner signal output	ST9	
Note: The size of CN4 and CN5 is unidentified.				