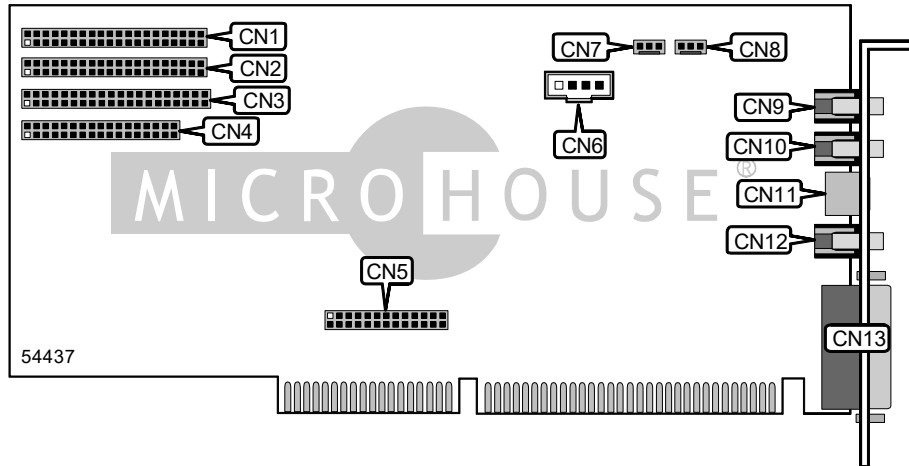


MIRO COMPUTER PRODUCTS, INC. MIROSOUND PCM12 (VER. 1)

Card Type	Sound card
Chip Set	Yamaha
Maximum Onboard Memory	2MB
I/O Options	CD-ROM interface (3), game port, IDE interface, waveblaster connector, line in, line out, microphone, MIDI connector
Data Bus	16-bit ISA
Card Size	Full-length, full-height card



CONNECTIONS				
Function	Label	Function	Label	
CD-ROM interface (Panasonic)	CN1	Line in connector - internal	CN8	
CD-ROM interface (Mitsumi)	CN2	Microphone input	CN9	
Enhanced IDE interface	CN3	Line in connector	CN10	
CD-ROM interface (Sony)	CN4	MIDI extender connector	CN11	
Waveblaster connector	CN5	Line out connector	CN12	
CD-ROM connector (Sony)	CN6	MIDI/joystick connector	CN13	
Auxiliary connector	CN7			