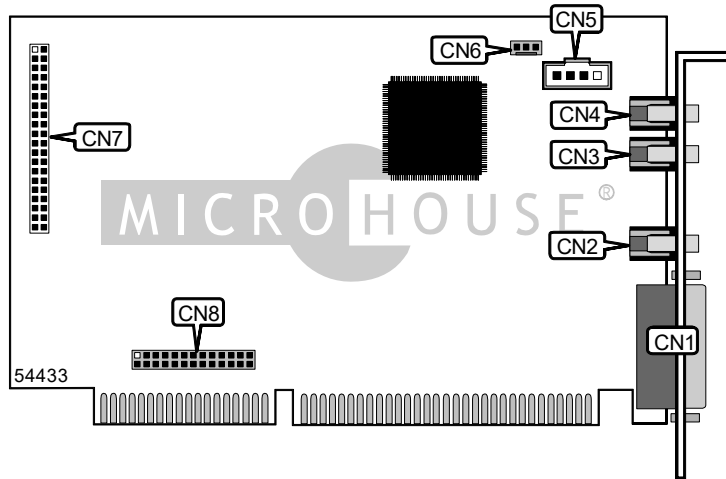


MIRO COMPUTER PRODUCTS, INC. MIROSOUND FM10

Card Type	Sound card
Chip Set	Yamaha
Maximum Onboard Memory	Unidentified
I/O Options	CD-ROM audio interface, game port, IDE interface, wave table interface, microphone, audio line in, speaker
Data Bus	16-bit ISA



CONNECTIONS			
Function	Label	Function	Label
Game/MIDI connector	CN1	CD-ROM audio connector (Sony)	CN5
Speaker connector	CN2	Line-in connector	CN6
Audio input	CN3	IDE connector	CN7
Microphone connector	CN4	Wave table connector	CN8