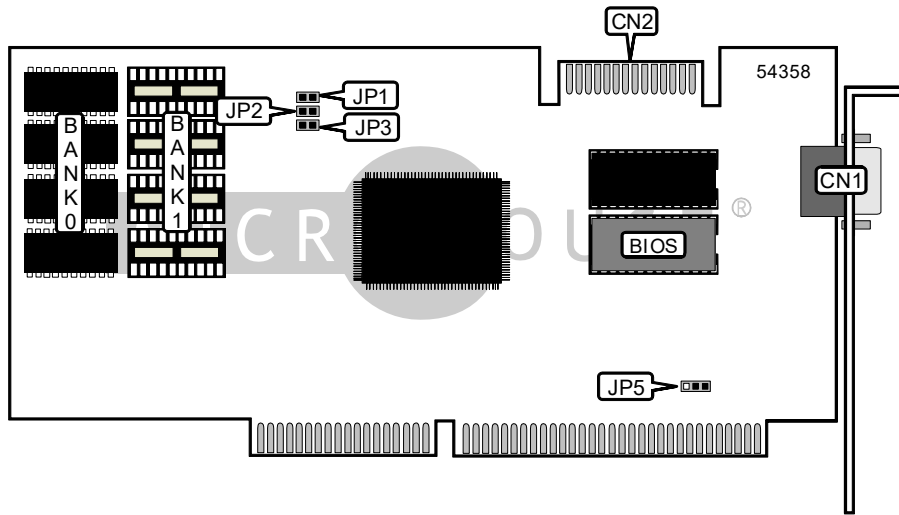


REALTEK RTVGA 3106

Card Type	Video card
Video Chip Set	Realtek
Maximum Video Memory	1MB DRAM
Video Types Supported	VGA
Highest Resolution Supported	1280 x 1024
Data Bus	16-bit ISA



CONNECTIONS			
Function	Label	Function	Label
15-pin analog video port	CN1	Feature connector	CN2

USER CONFIGURABLE SETTINGS			
Setting	Label	Position	
Feature connector – connect to VCC	JP1	Closed	
Feature connector – floating	JP1	Open	
Address decoding – unlatched	JP2	Open	
Address decoding – latched	JP2	Closed	
Interlaced mode – enabled	JP3	Open	
Interlaced mode – disabled	JP3	Closed	
IRQ 9 enabled	JP5	Pins 1 & 2 closed	
IRQ 7 enabled	JP5	Pins 2 & 3 closed	

VIDEO MEMORY CONFIGURATION (DRAM)		
Size	Bank 0	Bank 1
512KB	(4) 256KB	None
1MB	(4) 256KB	(4) 256KB