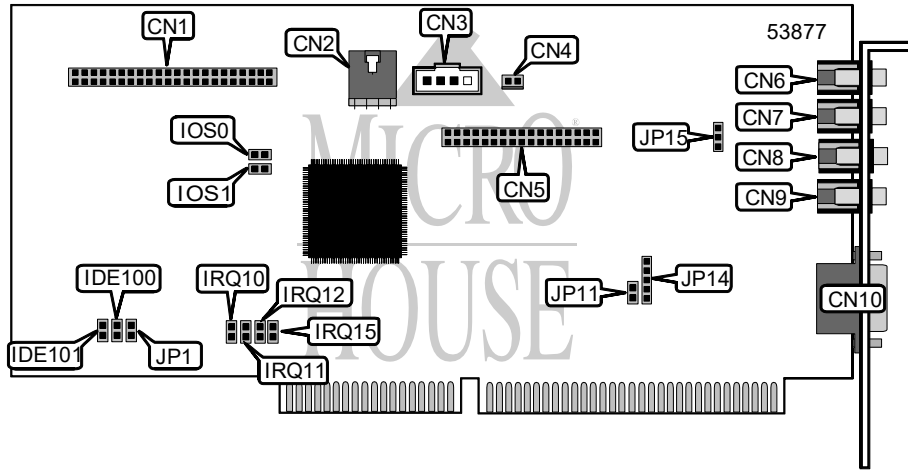


# CREATIVE LABS, INC. 16-BIT AUDIO CARD (SBV16S)

Card Type	Sound card
Chip Set	Unidentified
I/O Options	CD-ROM interface, game port, IDE interface
Data Bus	16-bit ISA



CONNECTIONS				
Function	Label	Function	Label	
IDE CD-ROM Connector	CN1	Line-out	CN8	
CD audio connector	CN2	Speaker out	CN9	
CD audio connector	CN3	Game port	CN10	
PC speaker connector	CN4	Audio extension connector	JP11	
WaveBlaster daughtercard connector	CN5	Audio extension connector	JP14	
Line-in	CN6	Audio extension connector	JP15	
Microphone in	CN7			

USER CONFIGURABLE SETTINGS			
Function	Label	Position	
I/O channel disabled	JP1	open	
I/O channel enabled	JP1	closed	

BASE I/O ADDRESS			
Setting	ISO0	ISO1	
I 220h	Closed	Closed	
240h	Closed	Open	
260h	Open	Closed	
288h	Open	Open	

ADDRESS SELECTION			
Setting	IDE100	IDE101	
I 170h, 376h	Closed	Open	
1E8h	Open	Closed	
168h	Open	Open	
IDE CD-ROM interface disabled	Closed	Closed	

Continued on next page...

CREATIVE LABS, INC.  
16-BIT AUDIO CARD (SBV16S)

*Continued from previous page.*

INTERRUPT SELECTION				
Setting	IRQ10	IRQ11	IRQ12	IRQ15
IRQ10	Closed	Open	Open	Open
IRQ11	Open	Closed	Open	Open
IRQ12	Open	Open	Closed	Open
IRQ15	Open	Open	Open	Closed