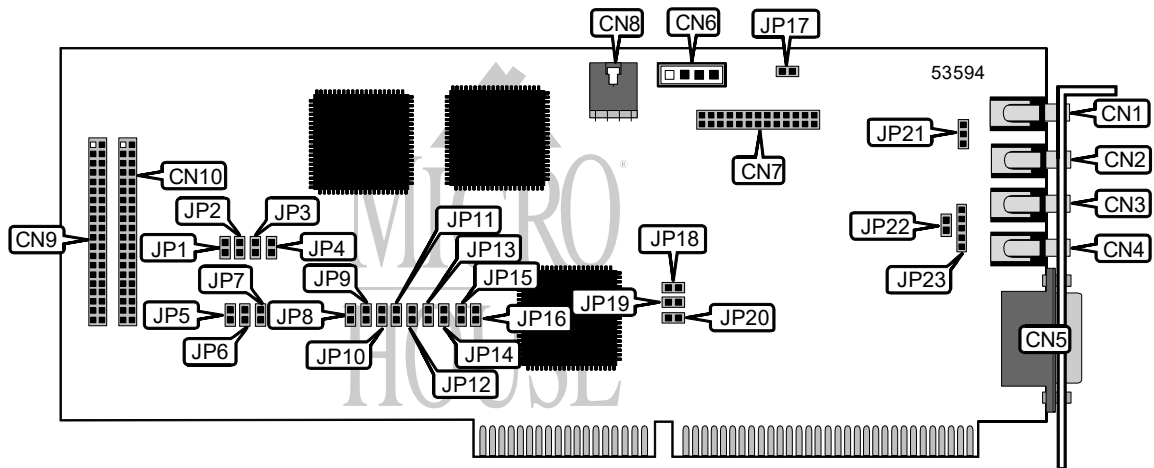


# CREATIVE LABS, INC. SOUNDBLASTER 16 PRO CSP (CT2910 & CT2919) SOUNDBLASTER 16 PRO (CT2910 & CT2919)

<b>Card Type</b>	Sound card
<b>Chip Set</b>	Creative Technology
<b>Maximum Onboard Memory</b>	None
<b>I/O Options</b>	Line in connector, microphone in connector, line out connector, speaker out connector, game/MIDI port, CD-ROM audio in connectors (2), CD-ROM interfaces (2), PC internal speaker, feature connector
<b>Data Bus</b>	16-bit ISA



CONNECTIONS			
Function	Label	Function	Label
Line in connector	CN1	Feature connector	CN7
Microphone connector	CN2	CD-ROM audio in connector	CN8
Line out connector	CN3	Panasonic CD-ROM interface	CN9
Speaker out connector	CN4	CD-ROM interface	CN10
Game/MIDI port	CN5	PC internal speaker	JP17
CD-ROM audio in connector	CN6		

USER CONFIGURABLE SETTINGS			
Function	Label	Position	
í Factory configured – do not alter	JP5	Unidentified	
í Factory configured – do not alter	JP21	Unidentified	
í Factory configured – do not alter	JP22	Unidentified	
í Factory configured – do not alter	JP23	Unidentified	
í MP-401 I/O address select 330	JP14	Closed	
MP-401 I/O address select 300	JP14	Open	
í Joystick enabled	JP20	Closed	
Joystick disabled	JP20	Open	

Continued on next page. . .

CREATIVE LABS, INC.  
 SOUNDBLASTER 16 PRO CSP (CT2910 &  
 CT2919)  
 SOUNDBLASTER 16 PRO (CT2910 & CT2919)

... continued from previous page

8-BIT DMA CHANNEL SELECTION		
Channel	JP12	JP13
0	Closed	Closed
1	Closed	Open
3	Open	Closed

16-BIT DMA CHANNEL SELECTION		
Channel	JP10	JP11
5	Closed	Closed
6	Closed	Open
7	Open	Closed

INTERRUPT SELECTION		
IRQ	JP8	JP9
2	Closed	Closed
5	Closed	Open
7	Open	Closed
10	Open	Open

IDE PORT SELECTION		
Port	JP6	JP7
Secondary	Open	Closed
Tertiary	Closed	Open
Quaternary	Open	Open

IDE INTERRUPT SELECTION				
IRQ	JP1	JP2	JP3	JP4
10	Closed	Open	Open	Open
11	Open	Closed	Open	Open
12	Open	Open	Closed	Open
15	Open	Open	Open	Closed

AUDIO I/O ADDRESS SELECTION		
Address	JP15	JP16
220	Closed	Closed
240	Open	Closed
260	Closed	Open
280	Open	Open

CSP CHIP SELECTION		
Setting	JP18	JP19
Enabled	Open	Open
Disabled	Closed	Closed