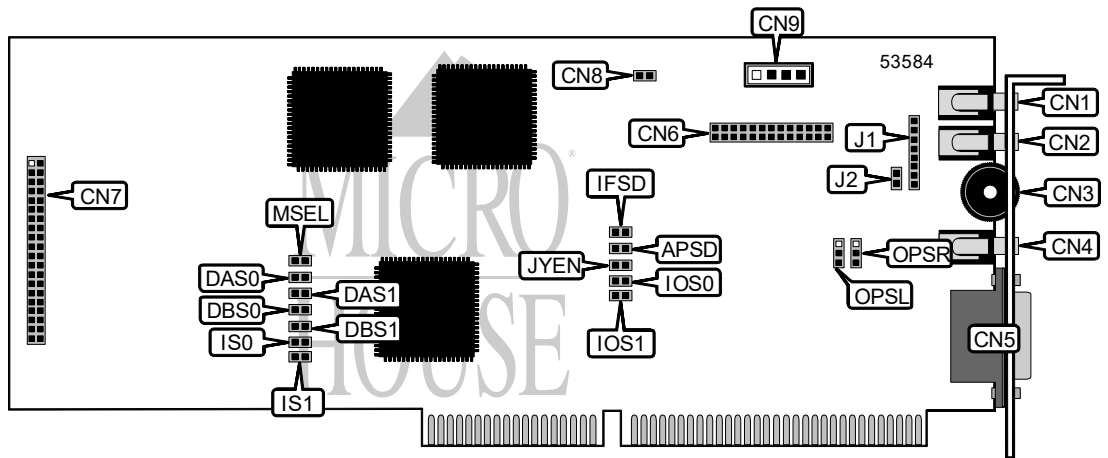


CREATIVE LABS, INC.

SOUNDBLASTER 16 ASP (CT1740 & CT1730)

SOUNDBLASTER 16 (CT1740 & CT1730)

Card Type	Sound card
Chip Set	Creative Technology
Maximum Onboard Memory	None
I/O Options	CD-ROM interface, microphone connector, line in connector, speaker out connector, game/MIDI port, PC internal speaker, CD-ROM audio in connector, feature connector, volume control
Data Bus	16-bit ISA



CONNECTIONS			
Function	Label	Function	Label
Line in connector	CN1	Feature connector	CN6
Microphone connector	CN2	Panasonic CD-ROM interface	CN7
Volume control	CN3	PC internal speaker	CN8
Speaker out connector	CN4	CD-ROM audio in connector	CN9
Game/MIDI port	CN5		

USER CONFIGURABLE SETTINGS			
Function	Label	Position	
í Factory configured – do not alter	J1	Unidentified	
í Factory configured – do not alter	J2	Unidentified	
í Joystick enabled	JYEN	Closed	
Joystick disabled	JYEN	Open	
í MP-401 I/O address select 330	MSEL	Closed	
MP-401 I/O address select 300	MSEL	Open	

Continued on next page. . .

CREATIVE LABS, INC.
 SOUNDBLASTER 16 ASP (CT1740 & CT1730)
 SOUNDBLASTER 16 (CT1740 & CT1730)

... continued from previous page

8-BIT DMA CHANNEL SELECTION		
Channel	DAS0	DAS1
0	Closed	Closed
1	Open	Closed
3	Closed	Open

16-BIT DMA CHANNEL SELECTION		
Channel	DBS0	DBS2
5	Closed	Closed
6	Open	Closed
7	Closed	Open

INTERRUPT SELECTION		
IRQ	IS0	IS1
2	Closed	Closed
5	Open	Closed
7	Closed	Open
10	Open	Open

AUDIO I/O ADDRESS SELECTION		
Address	IOS0	IOS1
220h	Closed	Closed
240h	Open	Closed
260h	Closed	Open
280h	Open	Open

CSP CHIP SELECTION		
Setting	APSD	IFSD
Enabled	Open	Open
Disabled	Closed	Closed

INTERNAL AMPLIFIER SELECTION		
Setting	OPSL	OPSR
Enabled	Pins 2 & 3 closed	Pins 2 & 3 closed
Disabled	Pins 1 & 2 closed	Pins 1 & 2 closed