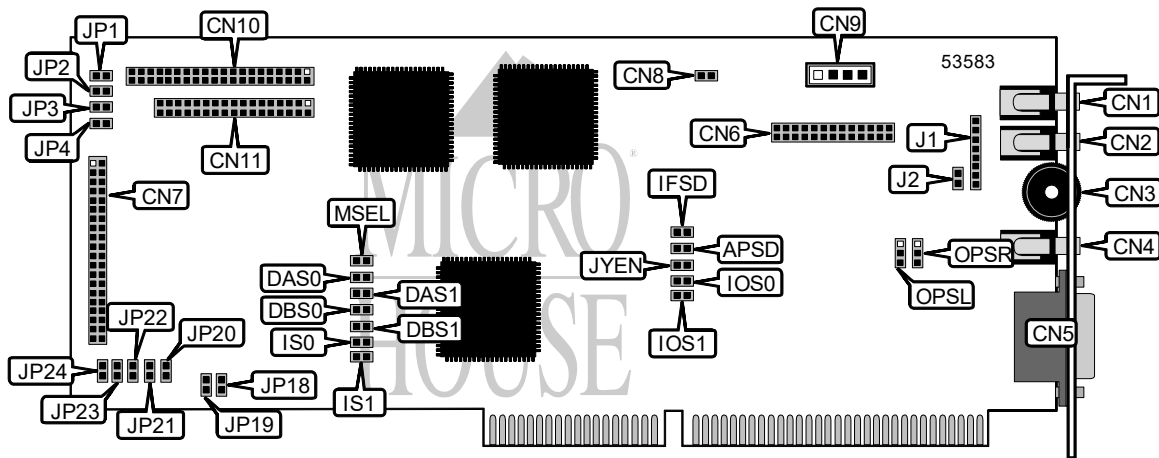


CREATIVE LABS, INC.

SOUNDBLASTER 16MCD ASP (CT1750 & CT1759)

SOUNDBLASTER 16MCD (CT1750 & CT1759)

Card Type Sound card
Chip Set Creative Technology
Maximum Onboard Memory None
I/O Options CD-ROM interface, microphone connector, line in connector, speaker out connector, game/MIDI port, PC internal speaker, CD-ROM audio in connectors (3), feature connector
Data Bus 16-bit ISA



CONNECTIONS			
Function	Label	Function	Label
Line in connector	CN1	Mitsumi CD-ROM interface	CN7
Microphone connector	CN2	PC internal speaker	CN8
Volume control	CN3	CD-ROM audio in connector	CN9
Speaker out connector	CN4	Panasonic CD-ROM interface	CN10
Game/MIDI port	CN5	Sony CD-ROM interface	CN11
Feature connector	CN6		

USER CONFIGURABLE SETTINGS			
Function	Label	Position	
í Factory configured – do not alter	J1	Unidentified	
í Factory configured – do not alter	J2	Unidentified	
í Joystick enabled	JYEN	Closed	
Joystick disabled	JYEN	Open	
í MP-401 I/O address select 330	MSEL	Closed	
MP-401 I/O address select 300	MSEL	Open	

Continued on next page. . .

CREATIVE LABS, INC.
 SOUNDBLASTER 16MCD ASP (CT1750 & CT1759)
 SOUNDBLASTER 16MCD (CT1750 & CT1759)

... continued from previous page

CD-ROM SELECTION				
Type	JP1	JP2	JP3	JP4
Panasonic	Closed	Open	Open	Open
Sony	Open	Closed	Open	Open
Mitsumi	Open	Open	Closed	Open
Disabled	Open	Open	Open	Closed

BOARD 8-BIT DMA CHANNEL SELECTION			
Channel	DAS0	DAS1	
0	Closed	Closed	
1	Open	Closed	
3	Closed	Open	

BOARD 16-BIT DMA CHANNEL SELECTION			
Channel	DBS0	DBS2	
5	Closed	Closed	
6	Open	Closed	
7	Closed	Open	

BOARD INTERRUPT SELECTION			
IRQ	IS0	IS1	
2	Closed	Closed	
5	Open	Closed	
7	Closed	Open	
10	Open	Open	

AUDIO I/O ADDRESS SELECTION			
Address	IOS0	IOS1	
220h	Closed	Closed	
240h	Open	Closed	
260h	Closed	Open	
280h	Open	Open	

CSP CHIP SELECTION			
Setting	APSD	IFSD	
Enabled	Open	Open	
Disabled	Closed	Closed	

INTERNAL AMPLIFIER SELECTION			
Setting	OPSL	OPSR	
Enabled	Pins 2 & 3 closed	Pins 2 & 3 closed	
Disabled	Pins 1 & 2 closed	Pins 1 & 2 closed	

Continued on next page. . .

CREATIVE LABS, INC.
 SOUND BLASTER 16MCD ASP (CT1750 &
 CT1759)
 SOUND BLASTER 16MCD (CT1750 & CT1759)

... continued from previous page

MITSUMI CD-ROM INTERRUPT SELECTION			
IRQ	JP20	JP21	JP22
3	Open	Open	Closed
10	Open	Closed	Open
11	Closed	Open	Open

MITSUMI CD-ROM DMA CHANNEL SELECTION		
Channel	JP23	JP24
6	Open	Closed
7	Closed	Open

MITSUMI CD-ROM BASE I/O ADDRESS SELECTION		
Address	JP18	JP19
310h	Closed	Closed
320h	Open	Closed
340h	Closed	Open
350h	Open	Open