

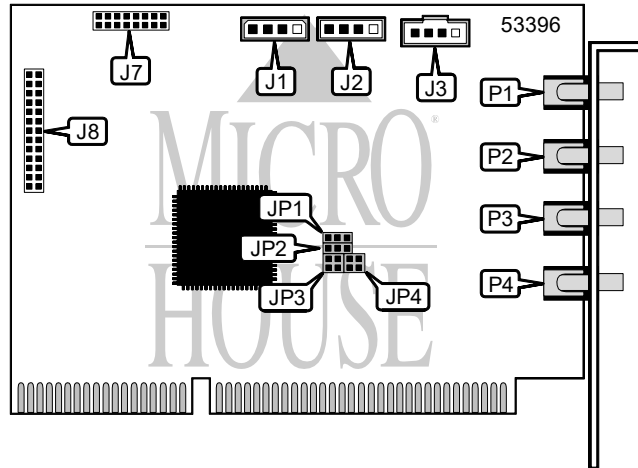
PINE TECHNOLOGY PT-201

Card Type
Chip Set
I/O Options

Sound card
ES688/1688
Microphone jack, Line in, Line out, Speaker connector, Game/MIDI port
(internal), Wave table

Data Bus
Card Size

16-bit ISA
Half-length, half-height card



CONNECTIONS			
Function	Label	Function	Label
Audio in - CD-ROM (Panasonic)	J1	Microphone jack	P1
Audio in - CD-ROM (Mitsumi)	J2	Line in	P2
Audio in - CD-ROM (Sony)	J3	Line out	P3
Game/MIDI connector	J7	Speaker out	P4
Wavetable connector	J8		

BASE I/O ADDRESS SELECTION		
Setting	JP1	JP2
í 220h	Pins 2 & 3 closed	Pins 2 & 3 closed
230h	Pins 2 & 3 closed	Pins 1 & 2 closed
240h	Pins 1 & 2 closed	Pins 2 & 3 closed
250h	Pins 1 & 2 closed	Pins 1 & 2 closed

INTERUPT SELECTION		
IRQ	JP3/pins 1 & 2	JP3/pins 3 & 4
5	Open	Closed
í 7	Closed	Open
9	Open	Open
10	Closed	Closed

DMA CHANNEL SELECTION		
DMA	JP4/pins 1 & 2	JP4/pins 3 & 4
None	Open	Open
0	Open	Closed
í 1	Closed	Open
3	Closed	Closed