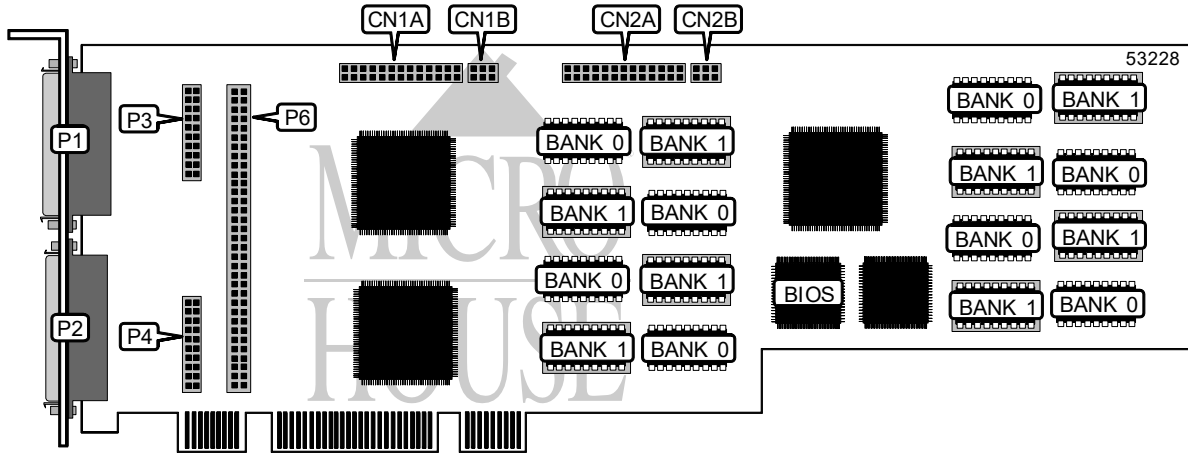


STB SYSTEMS, INC.

MVP 3D

Card Type	Display adapter
Video Chip Set	S3, Inc.
Maximum Video Memory	4MB EDO DRAM per port
Video Types Supported	VGA, XVGA
Highest Resolution Supported	1600 x 1200
I/O Options	VGA feature connector (4), VGA port (2)
Data Bus	32-bit PCI

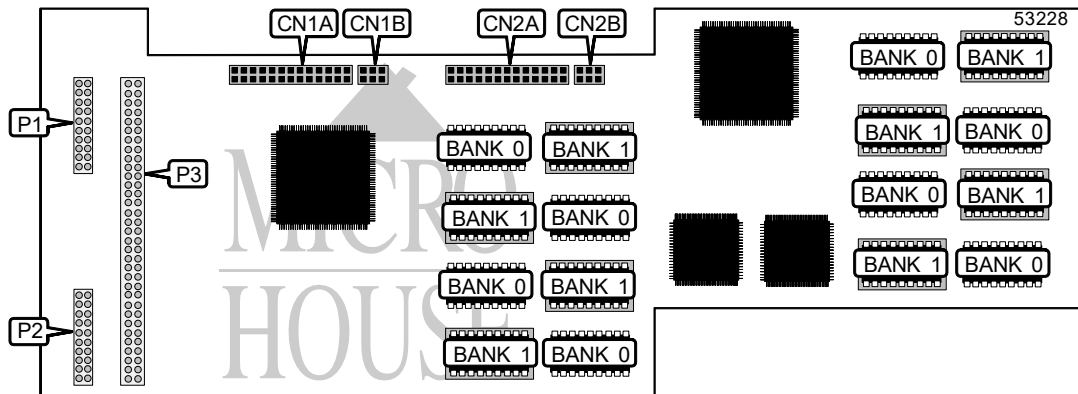


CONNECTIONS			
Function	Label	Function	Label
Vesa feature connector	CN1A	26-pin HD video port	P2
LPB extension to Vesa connector	CN1B	20-pin header connector	P3
Vesa feature connector	CN2A	20-pin header connector	P4
LPB extension to Vesa connector	CN2B	100-pin header connector	P6
26-pin HD video port	P1		

DRAM CONFIGURATION		
Size	Bank 0	Bank 1
2MB	(4) 512KB	None
4MB	(4) 512KB	(4) 512KB
Note: MVP 3D will hold up to 4MB of DRAM per port, however locations of individual banks is unidentified.		

Continued on next page . . .

... continued from previous page



MVP 3D Daughter Board

CONNECTIONS				
Function	Label	Function	Label	
Vesa feature connector	CN1A	20-pin header connector	P1	
LPB extension to Vesa connector	CN1B	20-pin header connector	P2	
Feature connector	CN2A	100-pin header connector	P3	
LPB extension to Vesa connector	CN2B			

Note: P1, P2 & P3 are mounted on the underside of the daughter board.

DRAM CONFIGURATION			
Size	Bank 0		Bank 1
2MB	(4) 512KB		None
4MB	(4) 512KB		(4) 512KB

Note: MVP 3D Daughter Board will hold up to 4MB of DRAM per port, however locations of individual banks is unidentified.