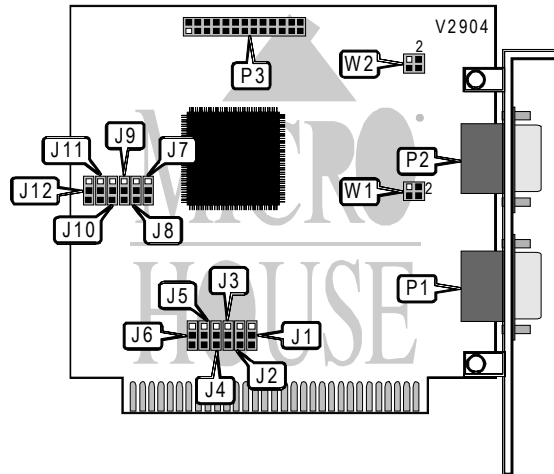


STB SYSTEMS, INC. FLASHCOM

Card Type	Multi-I/O
Chip Set	Unidentified
I/O Options	Parallel port, serial ports (2)
Maximum Onboard Memory	None
Data Bus	8-bit ISA



CONNECTIONS			
Function	Label	Function	Label
Serial port 1	P1	Parallel port	P3
Serial port 2	P2		

USER CONFIGURABLE SETTINGS		
Setting	Label	Position
Parallel port uses IRQ7	J1	Pins 1 & 2 closed
Parallel port uses IRQ5	J1	Pins 2 & 3 closed
Parallel port is unidirectional	J6	Open
Parallel port is bidirectional	J6	Pins 2 & 3 closed
Pin 9 of serial port 1 is Ring Indicator	W1	Pins 1 & 2 closed
Pin 9 of serial port 1 is +5VDC	W1	Pins 3 & 4 closed
Pin 9 of serial port 2 is Ring Indicator	W2	Pins 1 & 2 closed
Pin 9 of serial port 2 is +5VDC	W2	Pins 3 & 4 closed

SERIAL PORT 1 ADDRESS		
Setting	J7	J8
COM1: (3F8h)	Pins 1 & 2 closed	Pins 1 & 2 closed
COM2: (2F8h)	Pins 2 & 3 closed	Pins 1 & 2 closed
COM3: (3E8h)	Pins 1 & 2 closed	Pins 2 & 3 closed
Disabled	Pins 2 & 3 closed	Pins 2 & 3 closed

SERIAL PORT 2 ADDRESS		
Setting	J9	J10
COM2: (2F8h)	Pins 1 & 2 closed	Pins 1 & 2 closed
COM3: (3E8h)	Pins 2 & 3 closed	Pins 1 & 2 closed
COM4: (2E8h)	Pins 1 & 2 closed	Pins 2 & 3 closed
Disabled	Pins 2 & 3 closed	Pins 2 & 3 closed

Continued on next page. . .

. . . continued from previous page

SERIAL PORT 1 INTERRUPT		
Setting	J2	J3
IRQ2	Open	Pins 1 & 2 closed
IRQ3	Pins 1 & 2 closed	Open
í IRQ4	Pins 2 & 3 closed	Open
IRQ5	Open	Pins 2 & 3 closed

SERIAL PORT 2 INTERRUPT		
Setting	J4	J5
IRQ2	Open	Pins 1 & 2 closed
í IRQ3	Pins 1 & 2 closed	Open
IRQ4	Pins 2 & 3 closed	Open
IRQ5	Open	Pins 2 & 3 closed

PARALLEL PORT ADDRESS		
Setting	J11	J12
í 378h	Pins 1 & 2 closed	Pins 1 & 2 closed
278h	Pins 1 & 2 closed	Pins 2 & 3 closed
Disabled	Pins 2 & 3 closed	Pins 2 & 3 closed