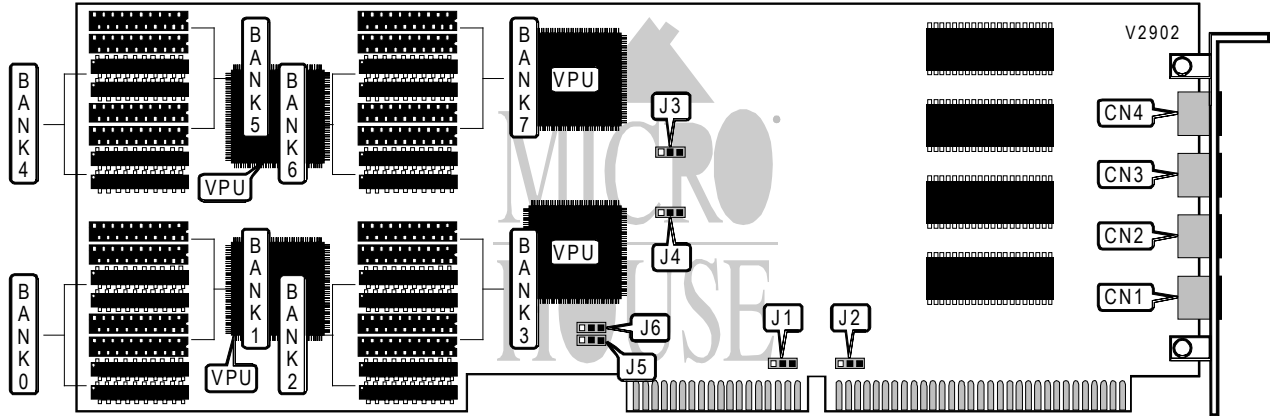


STB SYSTEMS, INC.

MVP - 4

Card Type Video card
Video Chip Set Tseng Labs ET4000
Highest Resolution Supported 1280 x 1024
Maximum Video Memory 4MB DRAM
Data Bus 8/16-bit ISA
Video Types Supported XVGA



CONNECTIONS			
Function	Label	Function	Label
Video port	CN1	Video port	CN3
Video port	CN2	Video port	CN4

Note: Each video port acts as a separate adapter, with separately configurable memory. The exact location of port 1 is unidentified. All indications of "Port 1" are only for the purposes of this document.

USER CONFIGURABLE SETTINGS		
Setting	Label	Position
Video BIOS uses 16-bit data transfer	J1	Pins 2 & 3 closed
Video BIOS uses 8-bit data transfer	J1	Pins 1 & 2 closed
Card uses 16-bit data transfer	J2	Pins 1 & 2 closed
Card uses 8-bit data transfer	J2	Pins 2 & 3 closed
í Factory configured - do not alter	J5	Unidentified

DRAM, PORT 1		
Size	Bank 0	Bank 1
512KB	(4) 128KB	NONE
1MB	(4) 128KB	(4) 128KB

DRAM, PORT 2		
Size	Bank 2	Bank 3
512KB	(4) 128KB	NONE
1MB	(4) 128KB	(4) 128KB

DRAM, PORT 3		
Size	Bank 4	Bank 5
512KB	(4) 128KB	NONE
1MB	(4) 128KB	(4) 128KB

Continued on next page. . .

STB SYSTEMS, INC.
MVP-4

. . . continued from previous page

DRAM, PORT 4		
Size	Bank 6	Bank 7
512KB	(4) 128KB	NONE
1MB	(4) 128KB	(4) 128KB

BOARD NUMBER		
Setting	J3	J4
Board 1	Pins 2 & 3 closed	Pins 2 & 3 closed
Board 2	Pins 2 & 3 closed	Pins 1 & 2 closed
Board 3	Pins 1 & 2 closed	Pins 2 & 3 closed
Board 4	Pins 1 & 2 closed	Pins 1 & 2 closed

VERTICAL REFRESH RATE		
Resolution	Refresh Rate	J6
640 x 480	60Hz	Pins 2 & 3 closed
800 x 600	56Hz	Pins 2 & 3 closed
1024 x 768	43Hz (interlaced)	Pins 2 & 3 closed
640 x 480	72Hz	Pins 1 & 2 closed
800 x 600	72Hz	Pins 1 & 2 closed
1024 x 768	60Hz	Pins 1 & 2 closed