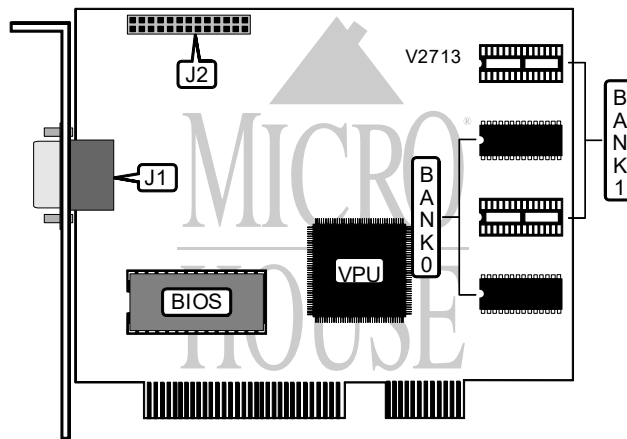


MICROSTAR INTERNATIONAL CO., LTD.

MS-4402 PCI ALI VGA CARD

Card Type	Video card
Video Processor	Avance Logic ALG2301
Maximum Onboard Memory	2MB RAM
I/O Options	VESA feature connector
Data Bus	32-bit PCI
Video Types Supported	XVGA
Highest Resolution Supported	1280 x 1024



CONNECTIONS			
Function	Label	Function	Label
15-pin analog video port	J1	VESA feature connector	J2

RAM CONFIGURATION		
Setting	Bank 0	Bank 1
1MB	(2) 256K x 16	None
2MB	(2) 256K x 16	(2) 256K x 16