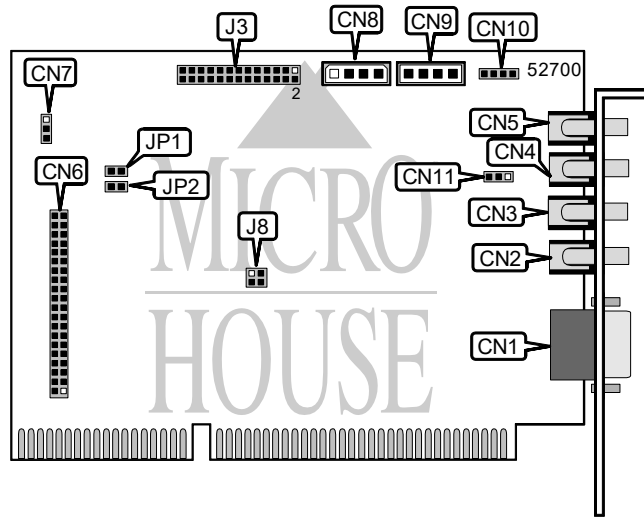


MICRO EQUIPMENT CORPORATION

CM/UN-6868

Card Type	Multi-I/O card
Chip Set	ES688/ES968
Maximum Onboard Memory	None
I/O Options	Game/MIDI port, Speaker, Line out, Line in, Microphone in, secondary IDE, PC speaker in, Panasonic CD-ROM, Mitsumi CD-ROM, Sony CD-ROM, Line
Data Bus	16-bit ISA
Floppy drives supported	None



CONNECTIONS			
Function	Label	Function	Label
Game/MIDI port	CN1	PC speaker in	CN7
Speaker	CN2	Panasonic CD-ROM connector	CN8
Line out	CN3	Mitsumi CD-ROM connector	CN9
Line in	CN4	Sony CD-ROM connector	CN10
Microphone in	CN5	Line	CN11
Secondary IDE	CN6		

USER CONFIGURABLE SETTINGS			
Function	Label	Position	
í Plug and play option enabled	JP1	Open	
Plug and play option disabled	JP1	Closed	
í Secondary IDE disabled	JP2	Closed	
Secondary IDE enabled	JP2	Open	
í Wave table disabled	J3	Pins 19 & 20, 23 & 24 closed	
Wave table enabled	J3	Open	
í 3D sound effect mode normal	J8	Pins 1 & 2, 3 & 4 closed	
3D sound effect mode daughter board	J8	Open	