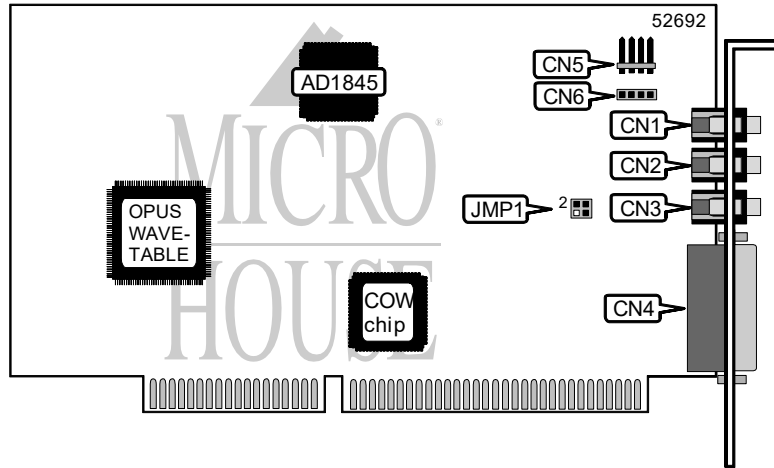


# ENSONIQ CORPORATION

## ENSONIQ SOUNDSCAPE-OPUS (VER.2)

Card Type	Sound card
Chip Set	OPUS
Maximum Onboard Memory	Unidentified
I/O Options	Audio line in, Audio line out, CD-ROM audio connectors (2), Microphone, MIDI/game port
Data Bus	16-bit ISA



CONNECTIONS			
Function	Label	Function	Label
Audio line in	CN1	MIDI/game port	CN4
Audio line out	CN2	CD-ROM audio connector	CN5
Microphone	CN3	CD-ROM audio connector	CN6

USER CONFIGURABLE SETTINGS		
Function	Label	Position
Phantom power 2.5V supplied to microphone jack	JMP1/Pins 1 & 2	Closed
Phantom power 2.5V not supplied to microphone jack	JMP1/Pins 1 & 2	Open
Mono signal routing (microphone) routed to both channels	JMP1/Pins 3 & 4	Closed
Mono signal routing (microphone) not routed to both channels	JMP1/Pins 3 & 4	Open