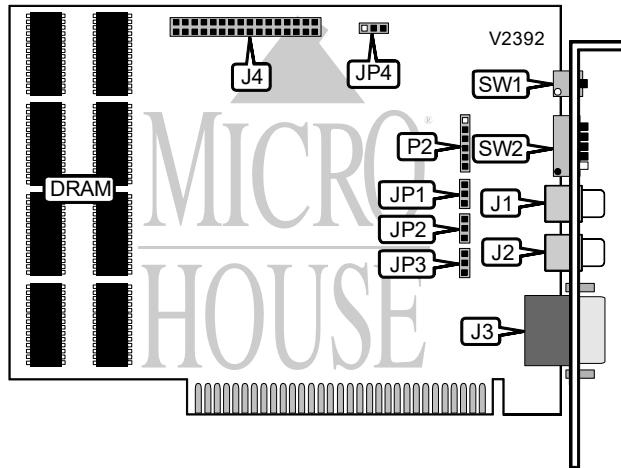


VIDEO SEVEN VEGA DELUXE

Card Type	Video card
Video Processor	Video Seven
Maximum Onboard Memory	256KB DRAM
I/O Options	Feature connector, light pen port
Data Bus	8-bit ISA
Video Types Supported	EGA
Highest Resolution Supported	752 x 410



CONNECTIONS			
Function	Label	Function	Label
Unidentified	J1	Feature connector	J4
Unidentified	J2	Light pen port	P2
9-pin EGA port	J3		

USER CONFIGURABLE SETTINGS			
Setting	Label	Position	
í Base I/O address set to 3D0h	JP1	Pins 1 & 2 closed	
Base I/O address set to 2D0h	JP1	Pins 2 & 3 closed	
í Card is installed in normal slot	JP2	Pins 2 & 3 closed	
Card is installed in XT slot 8	JP2	Pins 1 & 2 closed	
í Factory configured - do not alter	JP3	Unidentified	
í Second feature connector clock enabled	JP4	Pins 2 & 3 closed	
Second feature connector clock disabled	JP4	Pins 1 & 2 closed	
í Card will emulate CGA and MDA modes as necessary	SW2/5	On	
Card is 100% EGA compatible	SW2/5	Off	
í Factory configured - do not alter	SW2/6	Unidentified	

MONITOR TYPE (EGA PRIMARY)						
Primary	Secondary	SW1	SW2/1	SW2/2	SW2/3	SW2/4
CGA, 40 x 25	Monochrome	Off	On	Off	Off	On
CGA, 80 x 25	Monochrome	Off	Off	Off	Off	On
EGA, 40 x 25	Monochrome	On	On	On	On	Off
EGA, 80 x 25	Monochrome	On	Off	On	On	Off
Monochrome	CGA, 40 x 25	Off	On	Off	On	Off
Monochrome	CGA, 80 x 25	Off	Off	Off	On	Off

Continued on next page. . .

VIDEO SEVEN VEGA DELUXE

. . . continued from previous page

MONITOR TYPE (EGA SECONDARY)						
Primary	Secondary	SW1	SW2/1	SW2/2	SW2/3	SW2/4
Monochrome	CGA, 40 x 25	Off	On	On	On	On
Monochrome	CGA, 80 x 25	Off	Off	On	On	On
Monochrome	EGA, 40 x 25	On	On	Off	On	On
Monochrome	EGA, 80 x 25	On	Off	Off	On	On
CGA, 40 x 25	Monochrome	Off	On	On	Off	On
CGA, 80 x 25	Monochrome	Off	Off	On	Off	On