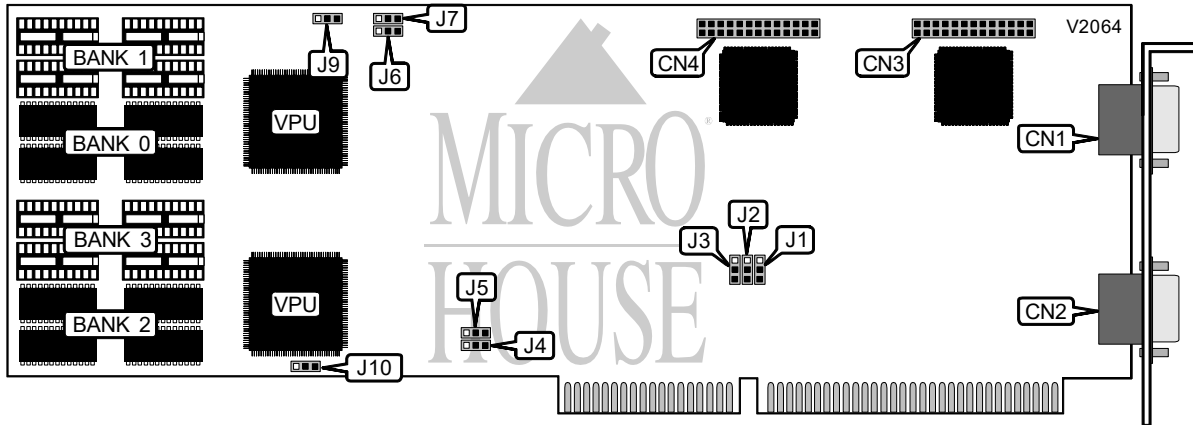


STB SYSTEMS, INC. MVP-2X (NEW VERSION)

Card Type	Video card
Video Chip Set	Tseng Labs ET4000
Highest Resolution Supported	1280 x 1024
Maximum Video Memory	2MB DRAM
Data Bus	16-bit ISA
Video Types Supported	XVGA



CONNECTIONS			
Function	Label	Function	Label
VGA port 1 - 15-pin	CN1	VGA feature connector for channel 1	CN3
VGA port 2 - 15-pin	CN2	VGA feature connector for channel 2	CN4

USER CONFIGURABLE SETTINGS			
Function	Label	Position	
í Zero wait states enabled	J1	Pins 2 & 3 closed	
Zero wait states disabled	J1	Pins 1 & 2 closed	
í Video BIOS uses 16-bit data transfer	J2	Pins 2 & 3 closed	
Video BIOS uses 8-bit data transfer	J2	Pins 1 & 2 closed	
í Card uses 16-bit data transfer	J3	Pins 1 & 2 closed	
Card uses 8-bit data transfer	J3	Pins 2 & 3 closed	
í VPU runs at 50MHz	J4	Pins 2 & 3 closed	
VPU runs at 40MHz	J4	Pins 1 & 2 closed	
í Card will not function with monochrome card installed	J10	Pins 2 & 3 closed	
Card will function with monochrome card installed	J10	Pins 1 & 2 closed	

VERTICAL REFRESH RATE		
Resolution	Refresh Rate	J5
í 640 x 480	60Hz	Pins 2 & 3 closed
í 800 x 600	56Hz	Pins 2 & 3 closed
í 1024 x 768	43Hz (interlaced)	Pins 2 & 3 closed
640 x 480	72Hz	Pins 1 & 2 closed
800 x 600	72Hz	Pins 1 & 2 closed
1024 x 768	60Hz	Pins 1 & 2 closed

Continued on next page . . .

STB SYSTEMS, INC.
MVP-2X (NEW VERSION)

. . . continued from previous page

BASE I/O ADDRESS				
Base Address	Board	J6	J7	J9
C3C3h	1	Pins 2 & 3 closed	Pins 2 & 3 closed	Pins 2 & 3 closed
C3C3h	2	Pins 1 & 2 closed	Pins 2 & 3 closed	Pins 2 & 3 closed
C3C3h	3	Pins 2 & 3 closed	Pins 1 & 2 closed	Pins 2 & 3 closed
C3C3h	4	Pins 1 & 2 closed	Pins 1 & 2 closed	Pins 2 & 3 closed
CBC3h	5	Pins 2 & 3 closed	Pins 2 & 3 closed	Pins 1 & 2 closed
CBC3h	6	Pins 1 & 2 closed	Pins 2 & 3 closed	Pins 1 & 2 closed
CBC3h	7	Pins 2 & 3 closed	Pins 1 & 2 closed	Pins 1 & 2 closed
CBC3h	8	Pins 1 & 2 closed	Pins 1 & 2 closed	Pins 1 & 2 closed

DRAM - CHANNEL 1		
Size	Bank 0	Bank 1
512KB	(4) 128KB	NONE
1MB	(4) 128KB	(4) 128KB

DRAM - CHANNEL 2		
Size	Bank 2	Bank 3
512KB	(4) 128KB	NONE
1MB	(4) 128KB	(4) 128KB