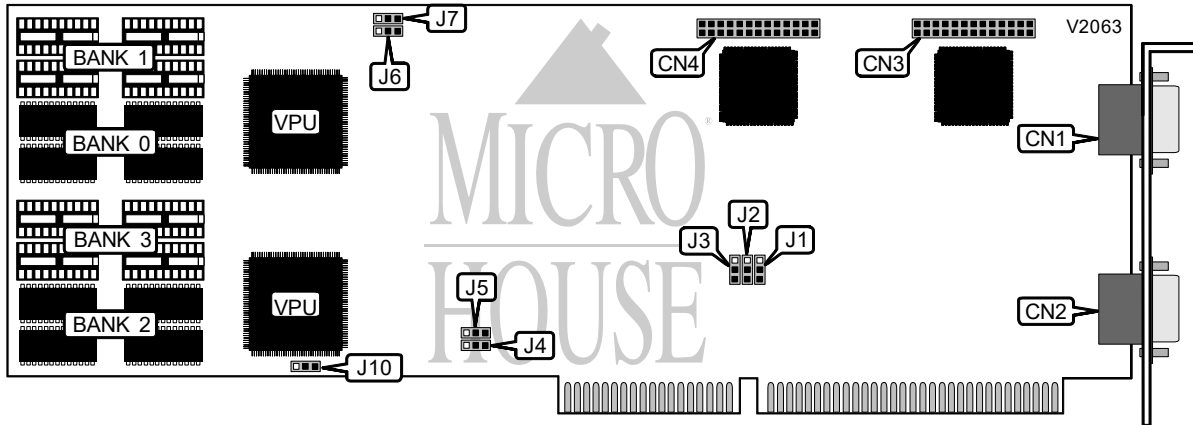


STB SYSTEMS, INC. MVP-2X (OLD VERSION)

| | |
|-------------------------------------|-------------------|
| Card Type | Video card |
| Video Chip Set | Tseng Labs ET4000 |
| Highest Resolution Supported | 1280 x 1024 |
| Maximum Video Memory | 2MB DRAM |
| Data Bus | 16-bit ISA |
| Video Types Supported | XVGA |



| CONNECTIONS | | | |
|---------------------|-------|-------------------------------------|-------|
| Function | Label | Function | Label |
| VGA port 1 - 15-pin | CN1 | VGA feature connector for channel 1 | CN3 |
| VGA port 2 - 15-pin | CN2 | VGA feature connector for channel 2 | CN4 |

| USER CONFIGURABLE SETTINGS | | | |
|---|-------|-------------------|--|
| Function | Label | Position | |
| í Zero wait states enabled | J1 | Pins 2 & 3 closed | |
| Zero wait states disabled | J1 | Pins 1 & 2 closed | |
| í Video BIOS uses 16-bit data transfer | J2 | Pins 2 & 3 closed | |
| Video BIOS uses 8-bit data transfer | J2 | Pins 1 & 2 closed | |
| í Card uses 16-bit data transfer | J3 | Pins 1 & 2 closed | |
| Card uses 8-bit data transfer | J3 | Pins 2 & 3 closed | |
| í VPU runs at 50MHz | J4 | Pins 2 & 3 closed | |
| VPU runs at 40MHz | J4 | Pins 1 & 2 closed | |
| í Card will not function with monochrome card installed | J10 | Pins 2 & 3 closed | |
| Card will function with monochrome card installed | J10 | Pins 1 & 2 closed | |

| VERTICAL REFRESH RATE | | |
|-----------------------|-------------------|-------------------|
| Resolution | Refresh Rate | J5 |
| í 640 x 480 | 60Hz | Pins 2 & 3 closed |
| í 800 x 600 | 56Hz | Pins 2 & 3 closed |
| í 1024 x 768 | 43Hz (interlaced) | Pins 2 & 3 closed |
| 640 x 480 | 72Hz | Pins 1 & 2 closed |
| 800 x 600 | 72Hz | Pins 1 & 2 closed |
| 1024 x 768 | 60Hz | Pins 1 & 2 closed |

Continued on next page . . .

STB SYSTEMS, INC.
MVP-2X (OLD VERSION)

. . . continued from previous page

| BOARD NUMBER | | |
|--------------|-------------------|-------------------|
| Board | J6 | J7 |
| 1 | Pins 2 & 3 closed | Pins 2 & 3 closed |
| 2 | Pins 1 & 2 closed | Pins 2 & 3 closed |
| 3 | Pins 2 & 3 closed | Pins 1 & 2 closed |
| 4 | Pins 1 & 2 closed | Pins 1 & 2 closed |

| DRAM - CHANNEL 1 | | |
|------------------|-----------|-----------|
| Size | Bank 0 | Bank 1 |
| 512KB | (4) 128KB | NONE |
| 1MB | (4) 128KB | (4) 128KB |

| DRAM - CHANNEL 2 | | |
|------------------|-----------|-----------|
| Size | Bank 2 | Bank 3 |
| 512KB | (4) 128KB | NONE |
| 1MB | (4) 128KB | (4) 128KB |