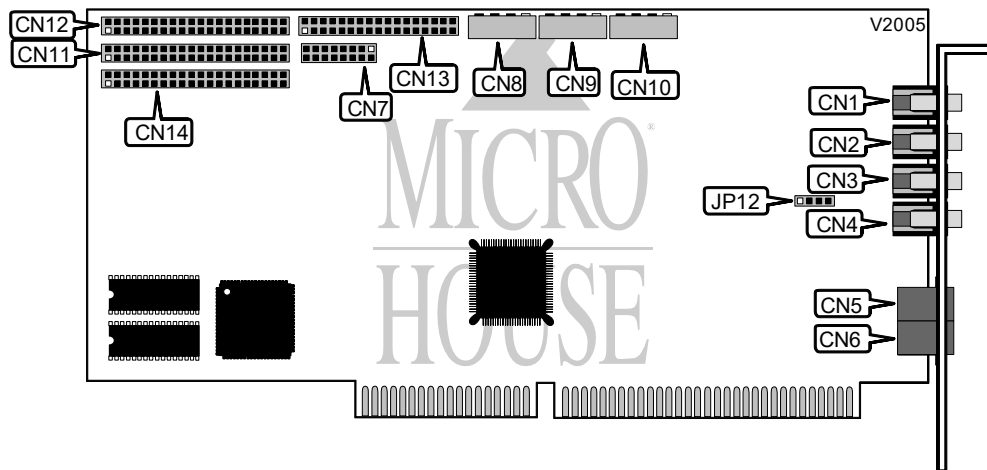


AMERICAN MEGATRENDS, INC. MEDIA-TEL

Card Type	Fax, Modem (asynchronous), Sound card
Chip Set	Unidentified
Maximum Onboard Memory	Unidentified
I/O Options	Audio line in, audio line out, CD audio interface (4), CD-ROM interface (3), game/MIDI port, Telephone answering machine, Voice-mail
Maximum Modem Rate	19.2Kbps
Maximum Fax Rate	14.4Kbps
Data Bus	16-bit ISA
Fax Class	Class I
Data Modulation Protocol	Bell 103/212A
Fax Modulation Protocol	ITU-T V.21, V.22, V.22bis, V.23, V.32, V.32bis, V.32ter
Error Correction/Compression	ITU-T V.17, V.21CH2, V.27ter, V.29 MNP5, V.42, V.42bis



CONNECTIONS			
Function	Label	Function	Label
Speaker - line out	CN1	CD Audio connector - Panasonic	CN8
Audio - line out	CN2	CD Audio connector - Mitsumi	CN9
Audio - line in	CN3	CD Audio connector - Sony	CN10
Microphone in	CN4	CD-ROM connector - Panasonic	CN11
Phone line out	CN5	CD-ROM connector - Mitsumi	CN12
Phone line in	CN6	CD-ROM connector - Sony	CN13
Game/MIDI connector	CN7	CD-ROM connector - IDE	CN14

USER CONFIGURABLE SETTINGS			
Setting	Label	Position	
Phantom power enabled - microphone	JP12	Pins 1-4 closed	
Phantom power disabled - microphone	JP12	Pins 1-4 open	

Continued on next page . . .

Proprietary AT Command Set

AUTO-MODE	
Type:	Register
Format:	AT [cmds] S43 [cmds]
Default:	Unidentified
Description:	Controls automatic mode

CALLER ID	
Type:	Configuration
Format:	AT [cmds] +VCID= <i>n</i> [cmds]
Description:	Controls the Caller ID function
Command	Function
+VCID?	Reports current caller ID in use
+VCID=?	Reports caller ID supported
í +VCID=0	Caller ID disabled
+VCID=1	Caller ID displays formatted data

COMPRESSION	
Type:	Configuration
Format:	AT [cmds] %C <i>n</i> [cmds]
Description:	Selects data compression
Command	Function
%C0	Data compression disabled
í %C1	MNP5 and V.42bis enabled

COMPRESSION	
Type:	Configuration
Format:	AT [cmds] "H <i>n</i> [cmds]
Description:	Controls V.42bis data compression
Command	Function
"H0	Data compression disabled
í "H1	MNP5 and V.42bis enabled

CONNECT MODE	
Type:	Configuration
Format:	AT [cmds] \N <i>n</i> [cmds]
Description:	Controls the type of connection the modem will operate in
Command	Function
\N0	Normal mode enabled
\N1	Direct mode enabled
\N2	MNP reliable mode enabled
í \N3	V.42 auto-reliable mode enabled
\N4	V.42 reliable mode enabled

AMERICAN MEGATRENDS, INC.
 MEDIA-TEL

. . . continued from previous page

DCE LINE SPEED	
Type:	Register
Format	AT [cmds] S41= <i>n</i> [cmds]
Description:	Sets the maximum allowable data exchange rate and protocol
Command	Function
í S41=0	Maximum line speed
S41=1	V.32bis at 14.4Kbps
S41=2	V.32bis at 12Kbps
S41=3	V.32bis at 9600bps
S41=4	V.32bis at 7200bps
S41=5	V.32bis at 4800bps
S41=6	V.22bis at 2400bps
S41=7	V.22 at 1200bps
S41=8	Bell 212A at 1200bps
S41=9	V.32 uncoded 9600bps
S41=10	V.21 at 300bps
S41=11	Bell 103 at 300bps
S41=12	V.23 at 1200/75bps
S41=13	V.23 at 600/75bps
S41=14	V.32ter at 16.8Kbps
S41=15	V.32ter at 19.2Kbps

REPORT INFORMATION	
Type:	Immediate
Format:	AT [cmds] I <i>n</i> [cmds]
Description:	Displays information requested
Command	Function
I0	Reports product name and version
I1	Reports firmware revision

TRANSMISSION LEVEL	
Type	Register
Format	AT [cmds] S39= <i>n</i> [cmds]
Default	18
Range	9-32
Unit	-1 dB
Description	Sets the transmit output level

V.32bis - AUTO-FALLBACK RATE	
Type:	Register
Format:	AT [cmds] S42= <i>n</i> [cmds]
Description:	Controls auto-fallback mode in V.32bis mode
Command	Function
S42=0	Disables auto-fallback mode
í S42=1	Enables auto-fallback mode