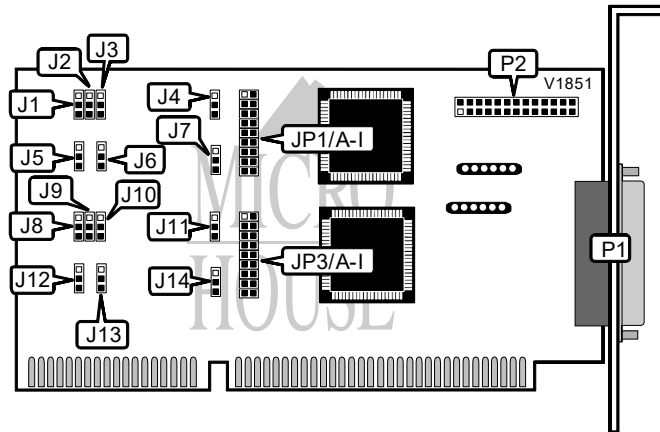


SUNIX CO., LTD.

SUN-6333/2 (EX-4013)

Card Type	Parallel card
Chip Set	HT6535
Maximum Onboard Memory	None
I/O Options	Parallel ports (2)
Data Bus	16-bit ISA
Floppy drives supported	None



CONNECTIONS			
Function	Location	Function	Location
25-pin parallel port 1	P1	26-pin parallel port 2	P2

PARALLEL PORT 1 ADDRESS SELECTION			
LPT	J8	J9	J10
LPT1(378h)	Pins 2 & 3 closed	Pins 2 & 3 closed	Pins 2 & 3 closed
LPT2(278h)	Pins 1 & 2 closed	Pins 2 & 3 closed	Pins 2 & 3 closed
LPT3(3BCh)	Pins 2 & 3 closed	Pins 1 & 2 closed	Pins 2 & 3 closed
LPT4(268h)	Pins 2 & 3 closed	Pins 2 & 3 closed	Pins 1 & 2 closed
LPT5(26Ch)	Pins 1 & 2 closed	Pins 2 & 3 closed	Pins 1 & 2 closed
LPT6(27Ch)	Pins 2 & 3 closed	Pins 1 & 2 closed	Pins 1 & 2 closed

PARALLEL PORT 2 ADDRESS SELECTION			
LPT	J1	J2	J3
LPT1(378h)	Pins 2 & 3 closed	Pins 2 & 3 closed	Pins 2 & 3 closed
LPT2(278h)	Pins 1 & 2 closed	Pins 2 & 3 closed	Pins 2 & 3 closed
LPT3(3BCh)	Pins 2 & 3 closed	Pins 1 & 2 closed	Pins 2 & 3 closed
LPT4(268h)	Pins 2 & 3 closed	Pins 2 & 3 closed	Pins 1 & 2 closed
LPT5(26Ch)	Pins 1 & 2 closed	Pins 2 & 3 closed	Pins 1 & 2 closed
LPT6(27Ch)	Pins 2 & 3 closed	Pins 1 & 2 closed	Pins 1 & 2 closed

Continued on next page. . .

SUNIX CO., LTD.
 SUN-6333/2 (EX-4013)

...continued from previous page

PARALLEL PORT 1 INTERRUPT SELECTION									
IRQ	JP3/A	JP3/B	JP3/C	JP3/D	JP3/E	JP3/F	JP3/G	JP3/H	JP3/I
IRQ3	Closed	Open	Open	Open	Open	Open	Open	Open	Open
IRQ4	Open	Closed	Open	Open	Open	Open	Open	Open	Open
IRQ5	Open	Open	Closed	Open	Open	Open	Open	Open	Open
í IRQ7	Open	Open	Open	Closed	Open	Open	Open	Open	Open
IRQ9	Open	Open	Open	Open	Closed	Open	Open	Open	Open
IRQ10	Open	Open	Open	Open	Open	Closed	Open	Open	Open
IRQ11	Open	Open	Open	Open	Open	Open	Closed	Open	Open
IRQ12	Open	Open	Open	Open	Open	Open	Open	Closed	Open
IRQ15	Open	Open	Open	Open	Open	Open	Open	Open	Closed

PARALLEL PORT 2 INTERRUPT SELECTION									
IRQ	JP1/A	JP1/B	JP1/C	JP1/D	JP1/E	JP1/F	JP1/G	JP1/H	JP1/I
IRQ3	Closed	Open	Open	Open	Open	Open	Open	Open	Open
IRQ4	Open	Closed	Open	Open	Open	Open	Open	Open	Open
í IRQ5	Open	Open	Closed	Open	Open	Open	Open	Open	Open
IRQ7	Open	Open	Open	Closed	Open	Open	Open	Open	Open
IRQ9	Open	Open	Open	Open	Closed	Open	Open	Open	Open
IRQ10	Open	Open	Open	Open	Open	Closed	Open	Open	Open
IRQ11	Open	Open	Open	Open	Open	Open	Closed	Open	Open
IRQ12	Open	Open	Open	Open	Open	Open	Open	Closed	Open
IRQ15	Open	Open	Open	Open	Open	Open	Open	Open	Closed

PARALLEL PORT 1 MODE SELECTION		
Setting	J12	J13
SPP	Pins 2 & 3 closed	Pins 2 & 3 closed
í ECP	Pins 1 & 2 closed	Pins 1 & 2 closed
EPP	Pins 2 & 3 closed	Pins 1 & 2 closed
PS/2	Pins 1 & 2 closed	Pins 2 & 3 closed

PARALLEL PORT 2 MODE SELECTION		
Setting	J5	J6
SPP	Pins 2 & 3 closed	Pins 2 & 3 closed
í ECP	Pins 1 & 2 closed	Pins 1 & 2 closed
EPP	Pins 2 & 3 closed	Pins 1 & 2 closed
PS/2	Pins 1 & 2 closed	Pins 2 & 3 closed

PARALLEL PORT 1 DMA CHANNEL SELECTION		
Channel	J11	J14
í 1	Pins 1 & 2 closed	Pins 1 & 2 closed
3	Pins 3 & 4 closed	Pins 3 & 4 closed

PARALLEL PORT 2 DMA CHANNEL SELECTION		
Channel	J4	J7
1	Pins 1 & 2 closed	Pins 1 & 2 closed
í 3	Pins 3 & 4 closed	Pins 3 & 4 closed