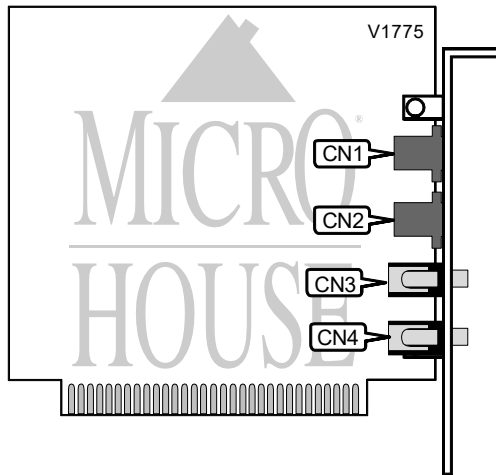


# BOCA RESEARCH, INC.

## BOCA OFFICE COMMUNICATOR V.34 (FDVSP34I)

<b>Card Type</b>	Modem/speakerphone
<b>Chip Set</b>	Unidentified
<b>Maximum Data Rate</b>	28.8Kbps
<b>Maximum Fax Rate</b>	14.4Kbps
<b>Data Bus</b>	8 bit ISA
<b>Fax Class</b>	Class I & II
<b>Data Modulation Protocol</b>	Bell 103A/212A ITU-T V.21, V.22, V.22bis, V.32, V.32bis, V.34 Rockwell V.FC
<b>Fax Modulation Protocol</b>	ITU-T V.17, V.21CH2, V.27ter, V.29
<b>Error Correction/Compression</b>	MNP5, V.42, V.42bis



CONNECTIONS			
Function	Label	Function	Label
Line in	CN1	Microphone	CN3
Line out	CN2	Speaker	CN4

### Proprietary AT Command Set

AUTO RETRAIN FALLBACK/FALLFORWARD	
<b>Type</b>	Configuration
<b>Format</b>	AT [cmds] %En [cmds]
<b>Description</b>	Controls auto retrain mode and fallback/fallforward
<b>Command</b>	<b>Function</b>
%E0	Auto retrain disabled
%E1	Auto retrain enabled
i %E2	Auto retrain and fallback/fallforward enabled

BREAK SEND	
<b>Type</b>	Configuration
<b>Format</b>	AT [cmds] \Bn [cmds]
<b>Default</b>	3
<b>Range</b>	1-9
<b>Unit</b>	.1 second
<b>Description</b>	Sends break of <i>n</i> length to remote modem

....continued on next page...

BOCA RESEARCH, INC.  
BOCA OFFICE COMMUNICATOR V.34 (FDVSP34I)

....continued from previous page

BREAK TYPE			
<b>Type:</b>		Configuration	
<b>Format:</b>		AT [cmds] \Kn [cmds]	
<b>Description:</b>		Configures action of break signal.	
Command	Break from DTE while in reliable mode	Break from DTE while in normal mode	Break from DTE while in direct mode
\K0	Enter command mode, do not send break to remote modem	Buffers cleared and break sent to remote modem	Send break and enter command mode
\K1	Buffers cleared and break sent to remote modem	Buffers cleared and break sent to remote modem	Send break and enter command mode
\K2	Enter command mode, do not send break to remote modem	Send break to remote modem immediately	Send break to remote modem immediately
\K3	Send break to remote modem immediately	Send break to remote modem immediately	Send break and enter command mode
\K4	Enter command mode, do not send break to remote modem	Send break to remote modem with transmitted data	Send break to remote modem immediately
í \K5	Send break with transmitted data	Send break to remote modem with transmitted data	Send break to remote modem immediately

COMPRESSION	
<b>Type</b> Configuration	
<b>Format</b> AT [cmds] %Cn [cmds]	
<b>Description</b> Selects data compression	
Command	Function
%C0	Data compression disabled
%C1	MNP5 enabled
%C2	V.42bis enabled
í %C3	MNP5 and V.42bis enabled

FAX TRANSMIT LEVEL	
<b>Type</b>	Register
<b>Format</b>	AT [cmds] S92=n [cmds]
<b>Default</b>	10
<b>Range</b>	0-15
<b>Unit</b>	-1dBm
<b>Description</b>	Controls fax transmission level

FLASH DIAL MODIFIER TIME	
<b>Type</b>	Register
<b>Format</b>	AT [cmds] S29=n [cmds]
<b>Default</b>	10
<b>Range</b>	0-255
<b>Unit</b>	1ms
<b>Description</b>	Time the modem will go on-hook upon receiving the ! dial modifier in dial string

....continued on next page...

BOCA RESEARCH, INC.  
BOCA OFFICE COMMUNICATOR V.34 (FDVSP34I)

....continued from previous page

FLOW CONTROL CHARACTER - XOFF	
<b>Type</b>	Register
<b>Format</b>	AT [cmds] S33= <i>n</i> [cmds]
<b>Default</b>	19
<b>Range</b>	0-255
<b>Unit</b>	ASCII
<b>Description</b>	Sets the character used to represent XOFF

FLOW CONTROL CHARACTER - XON	
<b>Type</b>	Register
<b>Format</b>	AT [cmds] S32= <i>n</i> [cmds]
<b>Default</b>	17
<b>Range</b>	0-255
<b>Unit</b>	ASCII
<b>Description</b>	Sets the character used to represent XON

LINE SIGNAL LEVEL	
<b>Type</b>	Immediate
<b>Format</b>	AT [cmds] %L [cmds]
<b>Range</b>	009-043
<b>Unit</b>	-1dBm
<b>Description</b>	Reports received signal level

MAXIMUM BLOCK SIZE FOR TRANSMISSION	
<b>Type</b>	Configuration
<b>Format</b>	AT [cmds] \A <i>n</i> [cmds]
<b>Description</b>	Sets the maximum transmittable block size.
<b>Command</b>	<b>Function</b>
\A0	Maximum MNP block size is 64 characters.
í \A1	Maximum MNP block size is 128 characters.
\A2	Maximum MNP block size is 192 characters.
\A3	Maximum MNP block size is 256 characters.

MODEM PROTOCOL	
<b>Type</b>	Configuration
<b>Format</b>	AT [cmds] \N <i>n</i> [cmds]
<b>Description</b>	Sets connect mode
<b>Command</b>	<b>Function</b>
\N0	Normal mode enabled
\N1	Direct mode enabled
\N2	Reliable mode enabled
í \N3	MNP or normal mode enabled
\N4	LAP-M reliable enabled
\N5	MNP reliable mode enabled

....continued on next page...

BOCA RESEARCH, INC.  
BOCA OFFICE COMMUNICATOR V.34 (FDVSP34I)

....continued from previous page

PROTOCOL/SPEED	
<b>Type</b>	Register
<b>Format</b>	AT [cmds] S37= <i>n</i> [cmds]
<b>Description</b>	Selects switched line speed
<b>Command</b>	<b>Function</b>
í S37=0	Connect at highest common speed
S37=1	Connect at 300bps
S37=2	Connect at 300bps
S37=3	Connect at 300bps
S37=4	Not used
S37=5	Connect at 1200bps
S37=6	Connect at 2400bps
S37=7	Connect at V.23
S37=8	Connect at 4800bps
S37=9	Connect at 9600bps
S37=10	Connect at 12.0Kbps
S37=11	Connect at 14.4Kbps
S37=12	Connect at 7200bps

REPORT SIGNAL QUALITY	
<b>Type</b>	Immediate
<b>Format</b>	AT [cmds] %Q [cmds]
<b>Description</b>	Reports signal quality. Retrain threshold is 008 or greater.

SLEEP INACTIVITY TIMER	
<b>Type</b>	Register
<b>Format</b>	AT [cmds] S24= <i>n</i> [cmds]
<b>Default</b>	0
<b>Range</b>	0-255
<b>Unit</b>	Second
<b>Description</b>	Maximum duration of DTE and DCE inactivity allowed prior to initiating low-power sleep mode

BIT MAPPED REGISTERS		
	Register	Default
	S14	138
	S16	0
	S21	4
	S22	117
	S23	54
	S27	9
	S28	0
	S31	2
	S39	3
	S40	105
	S41	3