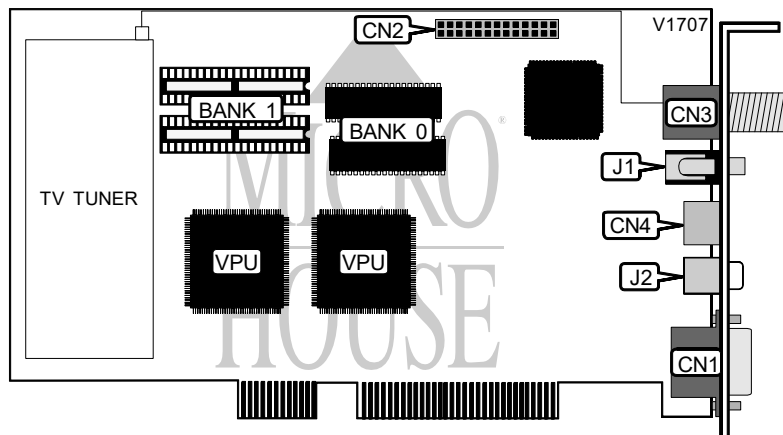


MIRO COMPUTER PRODUCTS, INC. MIROVIDEO 20TD LIVE! PCI

Category	Video
Video Types Supported	XVGA
Video Processor	Tseng Labs ET4000/32p & VIPER
Highest Resolution Supported	1280 x 1024
Data Bus Type	32-bit PCI
Memory Type	DRAM
Maximum Onboard Memory	2MB



CONNECTIONS			
Purpose :	Location	Purpose :	Location
15-pin analog video port	CN1	S-video	CN4
VESA feature connector	CN2	Audio out	J1
Antenna or cable input	CN3	Composite video in	J2

DRAM CONFIGURATION		
Size	Bank (Bank :
1MB	(2) 256K x 16	NONE
2MB	(2) 256K x 16	(2) 256K x 16