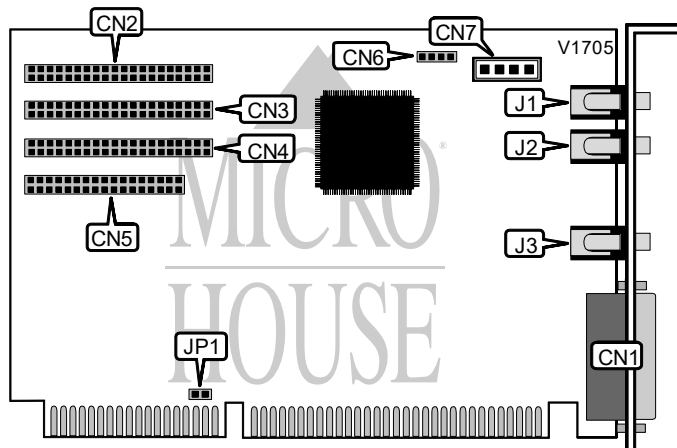


MIRO COMPUTER PRODUCTS, INC.
MIRO SOUND PCM10

Card Type Sound card
Chipset Controller Yamaha
I/O Options Audio in, CD-ROM audio, CD-ROM interface (4), game/MIDI port, line in, microphone in, speaker
Maximum DRAM N/A



CONNECTIONS			
Purpose :	Location	Purpose :	Location
Game/MIDI port	CN1	Line in	CN6
Panasonic CD-ROM interface	CN2	CD audio in	CN7
Mitsumi CD-ROM interface	CN3	Mic in	J1
IDE CD-ROM interface	CN4	Audio in	J2
Sony CD-ROM interface	CN5	Speaker	J3

CD-ROM INTERFACE SELECT	
Setting	JP1
IDE	Closed
Panasonic, Mitsumi or Sony	Open