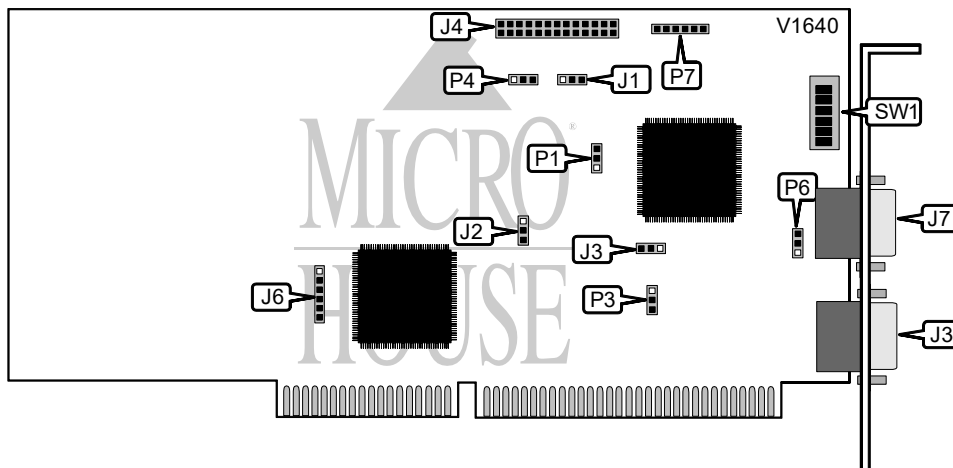


SPEA SOFTWARE AG

VEGA VGA

Category	Video
Video Types Supported	XVGA
Video Processor	Unidentified
Highest Resolution Supported	800 x 600
Data Bus Type	16-bit ISA
Memory Type	Unidentified
Maximum Onboard Memory	256KB (location of memory is unidentified)



CONNECTIONS			
Purpose	Location	Purpose	Location
VGA feature connector	J4	Digital video port	J3
Light Pen connector	J6	RCA connector	P7
Analog video port	J7		

FEATURE OSCILLATOR SETTING	
Setting	P4
On-board oscillator	Pins 2 & 3 closed
Add-on oscillator	Pins 1 & 2 closed

VEGA VGA ADDRESS CONFIGURATION	
Setting	P1
3XX	Pins 1 & 2 closed
2XX	Pins 2 & 3 closed

BUS SIZE SETTING	
Size	P3
8-bit	Pins 1 & 2 closed
16-bit	Pins 2 & 3 closed

Continued on next page . . .

SPEA SOFTWARE AG
VEGA VGA

...continued from previous page

MONITOR SETTING	
Setting	P6
í Color	Pins 1 & 2 closed
Monochrome	Pins 2 & 3 closed

MONITOR TYPE SETTING			
Setting	SW1/1	SW1/2	SW1/3
í Automatic	Off	Off	Off
NEC MultiSync	On	Off	Off
Nanao 8060/9070	On	Off	Off
Princeton Ultrasync	On	Off	Off
Sony Multiscan	Off	On	Off
Mitsubishi	Off	On	Off
Taxan	Off	On	Off
Thomson	Off	On	Off
NEC MultiSync Plus	On	On	Off
MultiSync XL	On	On	Off
IBS PS/2 analog display	Off	Off	On
IBM color display	On	Off	On
IBM Enhanced color display	Off	On	On
IBM Monochrome display	On	On	On

DISPLAY ADAPTER SETTING	
Setting	SW1/4
í VEGA VGA is primary	Off
VEGA VGA is secondary	On

VEGA VGA AUTOSWITCHING CONFIGURATION	
Setting	SW1/5
í Enabled	On
Disabled	Off

SYSTEM BOOT MODE	
Setting	SW1/6
í VGA	Off
CGA	On

FACTORY CONFIGURED	
Location	Position
J1	Pins 1 & 2 closed
J2	Pins 2 & 3 closed
J3	Pins 2 & 3 closed