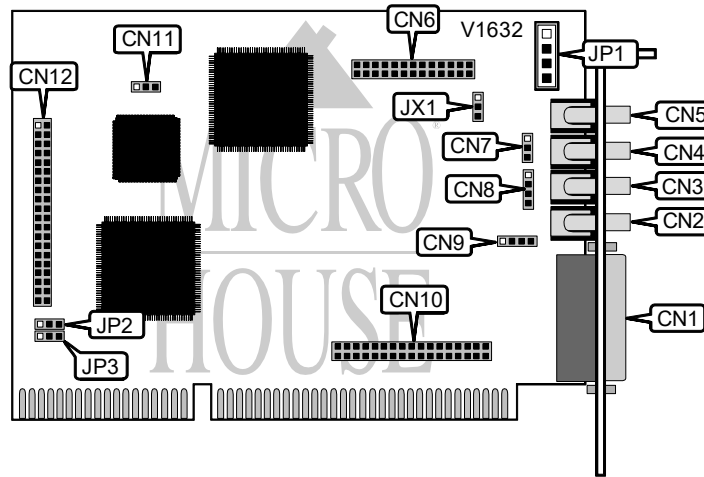


AZTECH LABS, INC. SOUND GALAXY STELLAR 6X

Card Type Sound Card
Chip Set Unidentified
I/O Options CD-ROM audio in, CD-ROM interface, game/MIDI port, line in, line out, microphone port, MIDDI wavetable, EXPCON wavetable
Data Bus 16-bit ISA



CONNECTIONS			
Function	Label	Function	Label
Game/MIDI port	CN1	MPC microphone in	CN7
Speaker out	CN2	MPC line out	CN8
Line out	CN3	MPC speaker out	CN9
Microphone in	CN4	EXPCON Wavetable	CN10
Line in	CN5	IDE CD-ROM interface	CN12
MIDI Wavetable	CN6	CD-ROM audio in	JP1

USER CONFIGURABLE SETTINGS		
Setting	Label	Position
í Factory configured - do not alter	CN11	N/A
í IDE CD-ROM interface enabled	JP2	Pins 2 & 3 closed
IDE CD-ROM interface disabled	JP2	Pins 1 & 2 closed
í Microphone type select condenser	JX1	Pins 1 & 2 closed
Microphone type select carbon	JX1	Pins 2 & 3 closed

BASE I/O ADDRESS	
Setting	JP3
í 220h	Pins 1 & 2 closed
240h	Pins 2 & 3 closed