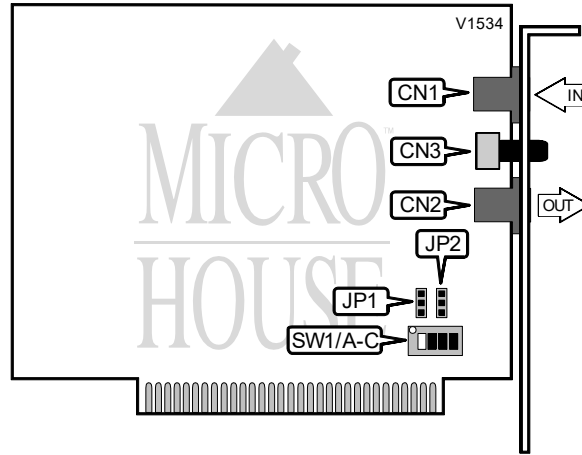


**BOCA RESEARCH, INC.**  
**SUPER MODEM 2400 (INT.)**

<b>Modem Type</b>	Data (synchronous/asynchronous)
<b>Maximum Data Rate</b>	2400bps
<b>Data Bus</b>	8-bit ISA
<b>Data Modulation Protocol</b>	Bell 103A/212A ITU-T V.21, V.22, V.22bis



CONNECTIONS			
Purpos	Location	Purpos	Location
Line-in	CN1	Volume control	CN3
Line-out	CN2		

IRQ SELECT		
IRC	JP1	JP2
í IRQ4	Position IRQ4	N/A
IRQ3	N/A	Position IRQ3
Note: Manufacturer's documentation does not specify exact jumper locations nor pin assignments corresponding to IRQ settings.		

BASE I/O ADDRESS SELECTION		
COM	SW1/:	SW1/:
í COM1	On	On
COM2	Off	On
COM3	On	Off
COM4	Off	Off

Continued on next page . . .

BOCA RESEARCH, INC.  
SUPER MODEM 2400 (INT.)

...continued from previous page

SLOT 8 INSTALLATION	
Setting	SW1/3
Normal installation	Off
IBM XT slot 8 installation	On

FACTORY CONFIGURED SETTINGS	
Switch	Setting
SW1/4	Off
<b>Note:</b> This switch may not be present on all models.	

### Proprietary AT Command Set

See document V1533 for a full command summary.