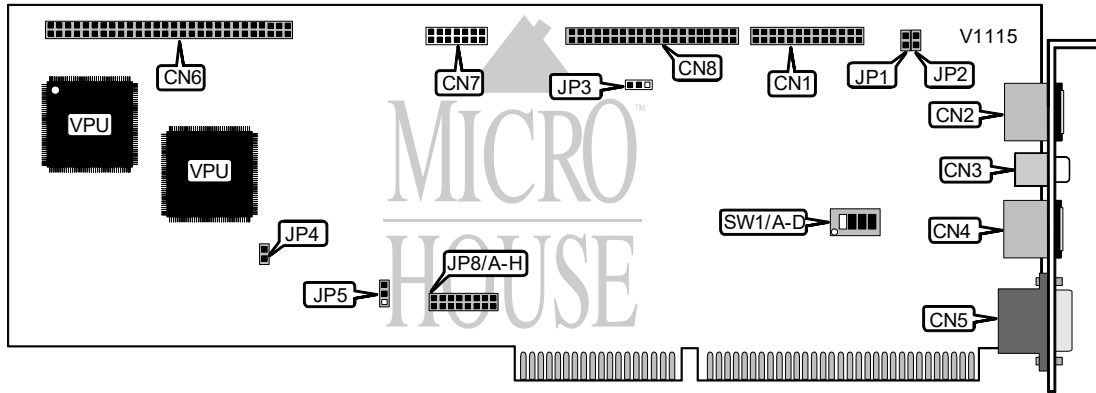


# AVERMEDIA, INC. VGA-AVER PRO

Category	Video
Video Types Supported	XVGA
Video Processor	Tseng labs ET 4000
Highest Resolution Supported	1024 x 768
Data Bus Type	16-bit ISA
Memory Type	DRAM
Maximum Onboard Memory	1MB



CONNECTIONS			
Purpose	Location	Purpose	Location
VGA feature connector	CN1	15-pin analog video port	CN5
Composite/s-video in	CN2	Daughterboard	CN6
Composite video out	CN3	Aver 2000 PRO connector	CN7
S-video out	CN4	VGA-AVer/HQO PRO connector	CN8

VIDEO INPUT TERMINATION IMPEDANCE		
Setting	JP1	JP2
75Ω	Pins 1 & 2 closed	Pins 1 & 2 closed
No termination	Pins 2 & 3 closed	Pins 2 & 3 closed

ENHANCED BRIGHTNESS CAPABILITIES	
Setting	JP3
Disabled	Pins 1 & 2 closed
Enabled	Pins 2 & 3 closed

INTERRUPT	
IRQ2	JP4
Disabled	Open
Enabled	Closed

Continued on next page . . .

**AVERMEDIA, INC.**  
**VGA-AVER PRO**

...continued from previous page

I/O PORT ADDRESS				
Address	SW1/A	SW1/B	SW1/C	SW1/D
190h	Off	On	On	Off
200h	On	On	On	On
210h	Off	On	On	On
220h	On	Off	On	On
230h	Off	Off	On	On
240h	On	On	Off	On
250h	Off	On	Off	On
260h	On	Off	Off	On
270h	Off	Off	Off	On
280h	On	On	On	Off
2A0h	On	Off	On	Off
2B0h	Off	Off	On	Off
2C0h	On	On	Off	Off
2D0h	Off	On	Off	Off
2E0h	On	Off	Off	Off
2F0h	Off	Off	Off	Off

BOARD SELECT	
Setting	JP5
Primary	Pins 1 & 2 closed
Alternate	Pins 2 & 3 closed

BOARD ID SELECT								
ID	JP8/A	JP8/B	JP8/C	JP8/D	JP8/E	JP8/F	JP8/G	JP8/H
1	Closed	Open	Open	Open	Open	Open	Open	Open
2	Open	Closed	Open	Open	Open	Open	Open	Open
3	Open	Open	Closed	Open	Open	Open	Open	Open
4	Open	Open	Open	Closed	Open	Open	Open	Open
5	Open	Open	Open	Open	Closed	Open	Open	Open
6	Open	Open	Open	Open	Open	Closed	Open	Open
7	Open	Open	Open	Open	Open	Open	Closed	Open
8	Open	Open	Open	Open	Open	Open	Open	Closed

Note: ID 1 reserved for primary board