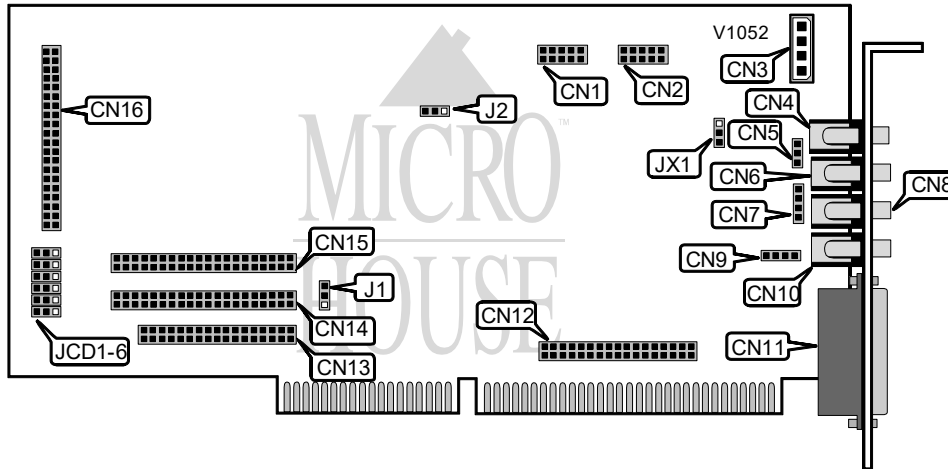


AZTECH LABS, INC. SOUND GALAXY WAVERIDER 32+

Card Type Sound
Chipset Controller Unidentified
I/O Options CD-ROM interface (4), Special effects board (2), CD Audio in, game/MIDI port, Line in, Line out (2), Speaker (2), Microphone jack (2), Wave table interface
Maximum DRAM N/A



CONNECTIONS			
Purpose	Location	Purpose	Location
Special effects board 2	CN1	Multimedia PC speaker	CN9
Special effects board 1	CN2	Speaker/headphones	CN10
CD audio in	CN3	Game/MIDI port	CN11
Line in	CN4	Wave table interface	CN12
Multimedia PC microphone	CN5	Sony CD-ROM	CN13
Microphone	CN6	Mitsumi/Aztech CD-ROM	CN14
Multimedia PC line out	CN7	Panasonic CD-ROM	CN15
Line out	CN8	IDE CD-ROM	CN16

MICROPHONE TYPE	
Type	JX1
Condenser	Pins 1 & 2 closed
Carbon	Pins 2 & 3 closed

I/O BASE ADDRESS	
Address	J1
220h - 22Fh	Pins 1 & 2 closed
240h - 24Fh	Pins 2 & 3 Closed

Continued next page...

AZTECH LABS, INC.
SOUND GALAXY WAVERIDER 32+

... continued from previous page.

EEPROM	
Setting	J2
Enabled	Pins 1 & 2 closed
Disabled	Pins 2 & 3 closed

CD-ROM SELECT			
Setting	JCD1	JCD2	JCD3
IDE CD-ROM enabled	Pins 2 & 3 closed	Pins 2 & 3 closed	Pins 2 & 3 closed
AT CD-ROM enabled	Pins 1 & 2 closed	Pins 1 & 2 closed	Pins 1 & 2 closed
Note: AT CD-ROM interfaces are Panasonic, Mitsumi/Aztech and Sony.			

CD-ROM SELECT (CONTINUED)			
Setting	JCD4	JCD5	JCD6
IDE CD-ROM enabled	Pins 2 & 3 closed	Pins 2 & 3 closed	Pins 2 & 3 closed
AT CD-ROM enabled	Pins 1 & 2 closed	Pins 1 & 2 closed	Pins 1 & 2 closed