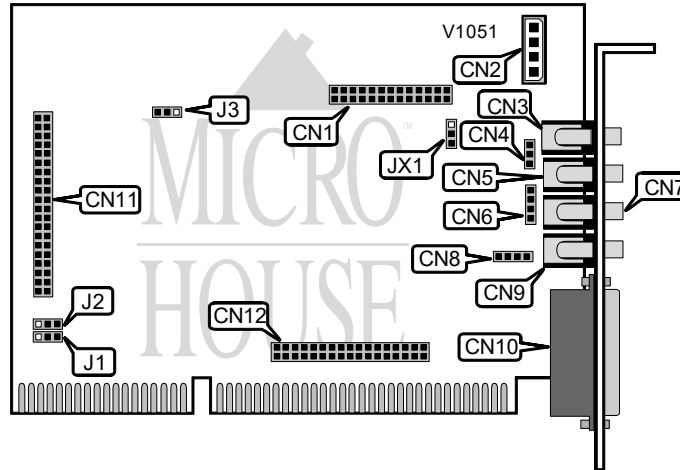


AZTECH LABS, INC. SOUND GALAXY VOYAGER DELUXE

Card Type	Sound
Chipset Controller	Unidentified
I/O Options	CD-ROM interface, CD Audio in, game/MIDI port, Line in, Line out (2), Speaker (2), Microphone jack (2), Wave table interface (2)
Maximum DRAM	N/A



CONNECTIONS			
Purpose	Location	Purpose	Location
Wave table interface	CN1	Line out	CN7
CD audio in	CN2	Multimedia PC speaker	CN8
Line in	CN3	Speaker/headphones	CN9
Multimedia PC microphone	CN4	Game/MIDI port	CN10
Microphone	CN5	IDE CD-ROM	CN11
Multimedia PC line out	CN6	Wave table interface	CN12

IDE CD-ROM	
Setting	J2
Enabled	Pins 2 & 3 closed
Disabled	Pins 1 & 2 closed

MICROPHONE TYPE	
Type	JX1
Condenser	Pins 1 & 2 closed
Carbon	Pins 2 & 3 closed

EEPROM	
Setting	J3
Enabled	Pins 1 & 2 closed
Disabled	Pins 2 & 3 closed

Continued next page...

AZTECH LABS, INC.
SOUND GALAXY VOYAGER DELUXE

... continued from previous page.

I/O BASE ADDRESS	
Address	J1
220h - 22Fh	Pins 1 & 2 closed
240h - 24Fh	Pins 2 & 3 Closed