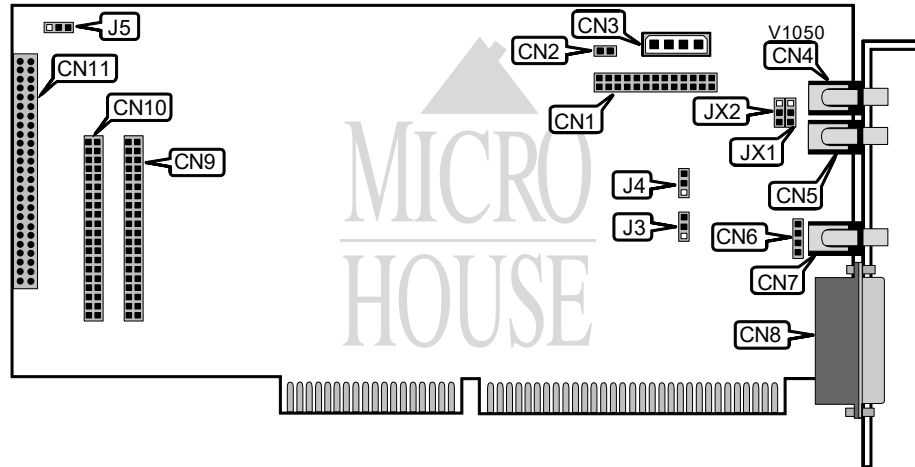


# AZTECH LABS, INC. SOUND GALAXY PRO 16 EXTRA

**Card Type** Sound  
**Chipset Controller** Unidentified  
**I/O Options** CD-ROM interface (2), SCSI expansion board, CD Audio in, game/MIDI port, Line in, Speaker out, Multimedia PC speaker out, PC speaker in, Microphone jack, Wave table interface  
**Maximum DRAM** N/A



CONNECTIONS			
Purpose	Location	Purpose	Location
Wave table interface	CN1	Speaker out	CN7
PC speaker in	CN2	Game/MIDI port	CN8
CD audio in	CN3	Panasonic CD-ROM	CN9
Line in	CN4	Mitsumi/Aztech CD-ROM	CN10
Microphone	CN5	SCSI extension board	CN11
Multimedia PC speaker out	CN6		

LINE OUT		
Setting	J3	J4
Headphones/external amplifier	Pins 2 & 3 closed	Pins 2 & 3 closed
4 or 8 Ω Speakers	Pins 1 & 2 closed	Pins 1 & 2 closed

MICROPHONE TYPE		
Type	JX1	JX2
Condenser	Pins 1 & 2 closed	Pins 1 & 2 closed
Carbon	Pins 2 & 3 closed	Pins 2 & 3 closed

EEPROM	
Setting	J5
Enabled	Pins 1 & 2 closed
Disabled	Pins 2 & 3 closed